



US00D710781S

(12) **United States Design Patent**
Park et al.

(10) **Patent No.:** **US D710,781 S**
(45) **Date of Patent:** **** Aug. 12, 2014**

(54) **CONTROL LEVER FOR A MARINE VESSEL**

(56) **References Cited**

(71) Applicant: **Brunswick Corporation**, Lake Forest, IL (US)

U.S. PATENT DOCUMENTS

(72) Inventors: **John I. S. Park**, Fond du Lac, WI (US);
Todd D. Dannenberg, Oshkosh, WI (US)

5,062,516	A *	11/1991	Prince	477/98
D497,347	S *	10/2004	Iekura	D13/168
D510,556	S *	10/2005	Rick et al.	D12/317
6,979,278	B2 *	12/2005	Rick et al.	477/98
D554,080	S *	10/2007	Iekura	D13/168
D592,605	S *	5/2009	Iekura	D13/168
8,128,443	B2 *	3/2012	Gai et al.	440/86
D663,252	S *	7/2012	Bondesson	D12/317
2005/0245147	A1 *	11/2005	Takada et al.	440/84

(73) Assignee: **Brunswick Corporation**, Lake Forest, IL (US)

* cited by examiner

(**) Term: **14 Years**

Primary Examiner — Cynthia M Chin

(21) Appl. No.: **29/464,658**

(74) *Attorney, Agent, or Firm* — Eric D. Bublitz

(22) Filed: **Aug. 20, 2013**

(57) **CLAIM**

The ornamental design for a control lever for a marine vessel, as shown and described.

(51) **LOC (10) Cl.** **12-06**

DESCRIPTION

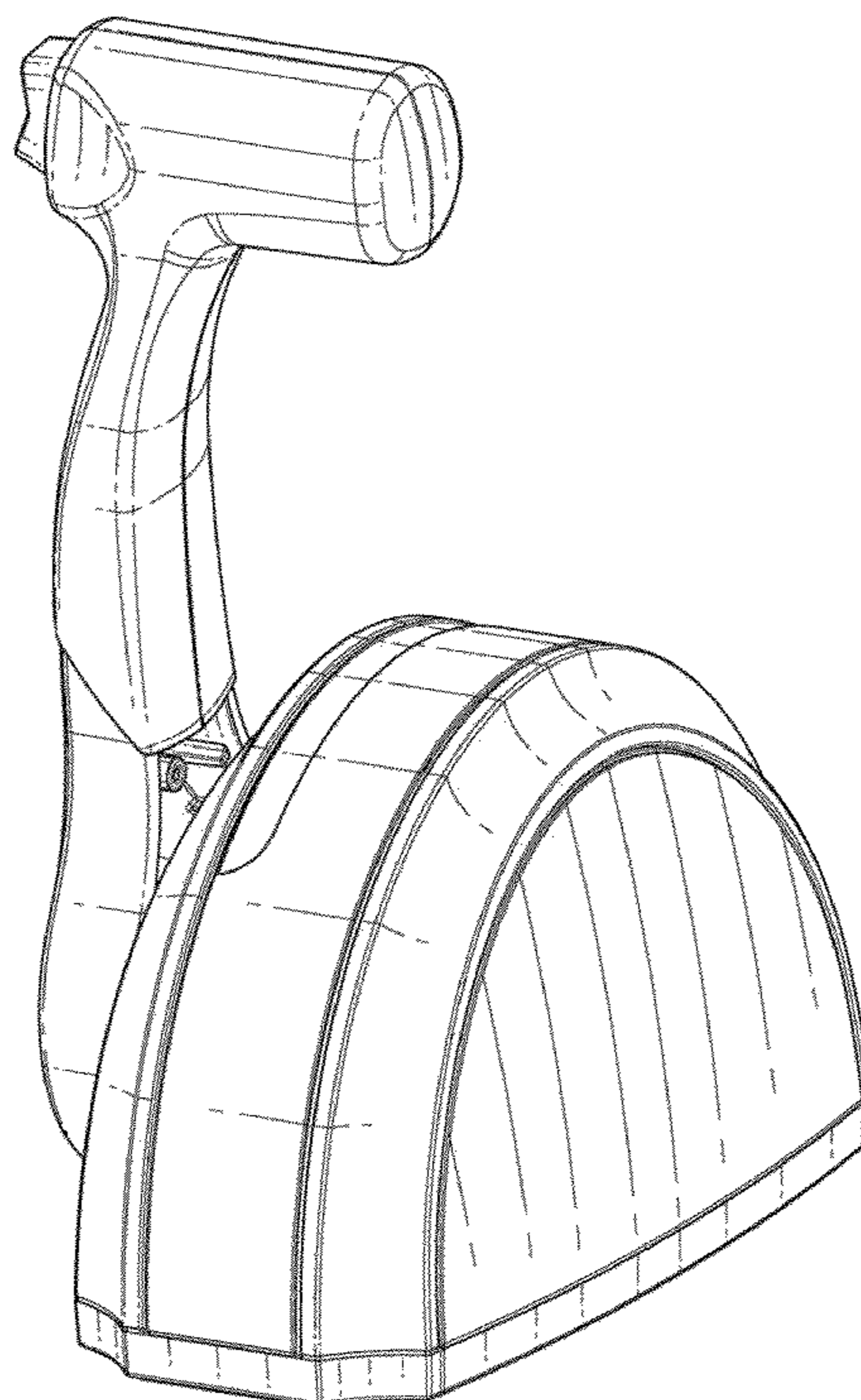
(52) **U.S. Cl.**
USPC **D12/317**

(58) **Field of Classification Search**
USPC D12/300, 301, 303–315, 317, 318, 174,
D12/178–180; D13/162, 134, 168, 169,
D13/173; D10/49; 74/469, 473.19, 473.2,
74/480 B, 491; 440/84–87; 477/98, 111,
477/112, 113

FIG. 1 is a perspective view of a control lever for a marine vessel showing the new design.
FIG. 2 is a front elevation view thereof;
FIG. 3 is a back elevation view thereof;
FIG. 4 is a right side elevation view thereof;
FIG. 5 is a left side elevation view thereof;
FIG. 6 is a top plan view thereof; and,
FIG. 7 is a bottom plan view thereof.
The phantom lines shown in FIG. 7 indicate environmental renderings that form no part of the claimed design.

See application file for complete search history.

1 Claim, 7 Drawing Sheets



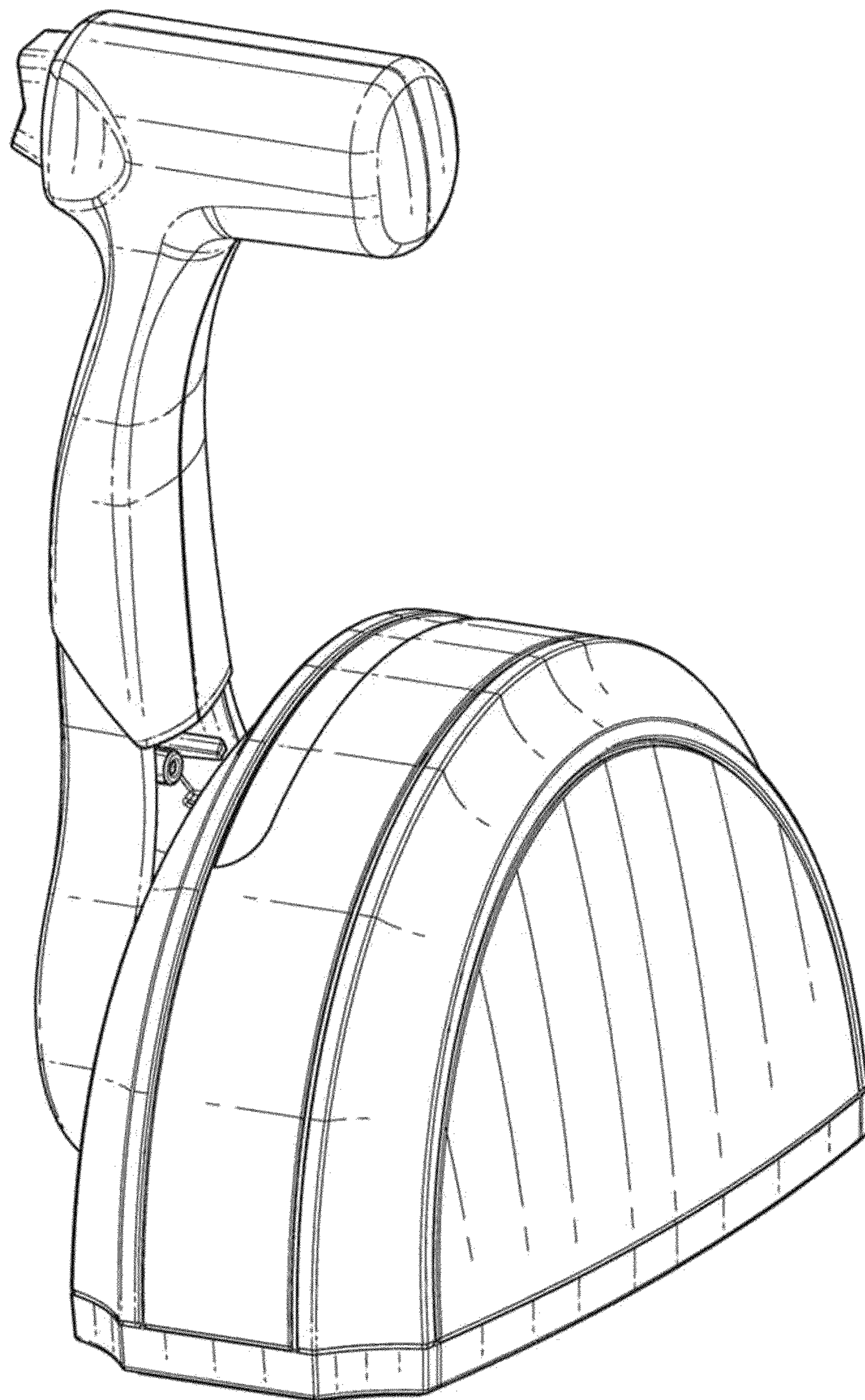


FIG. 1

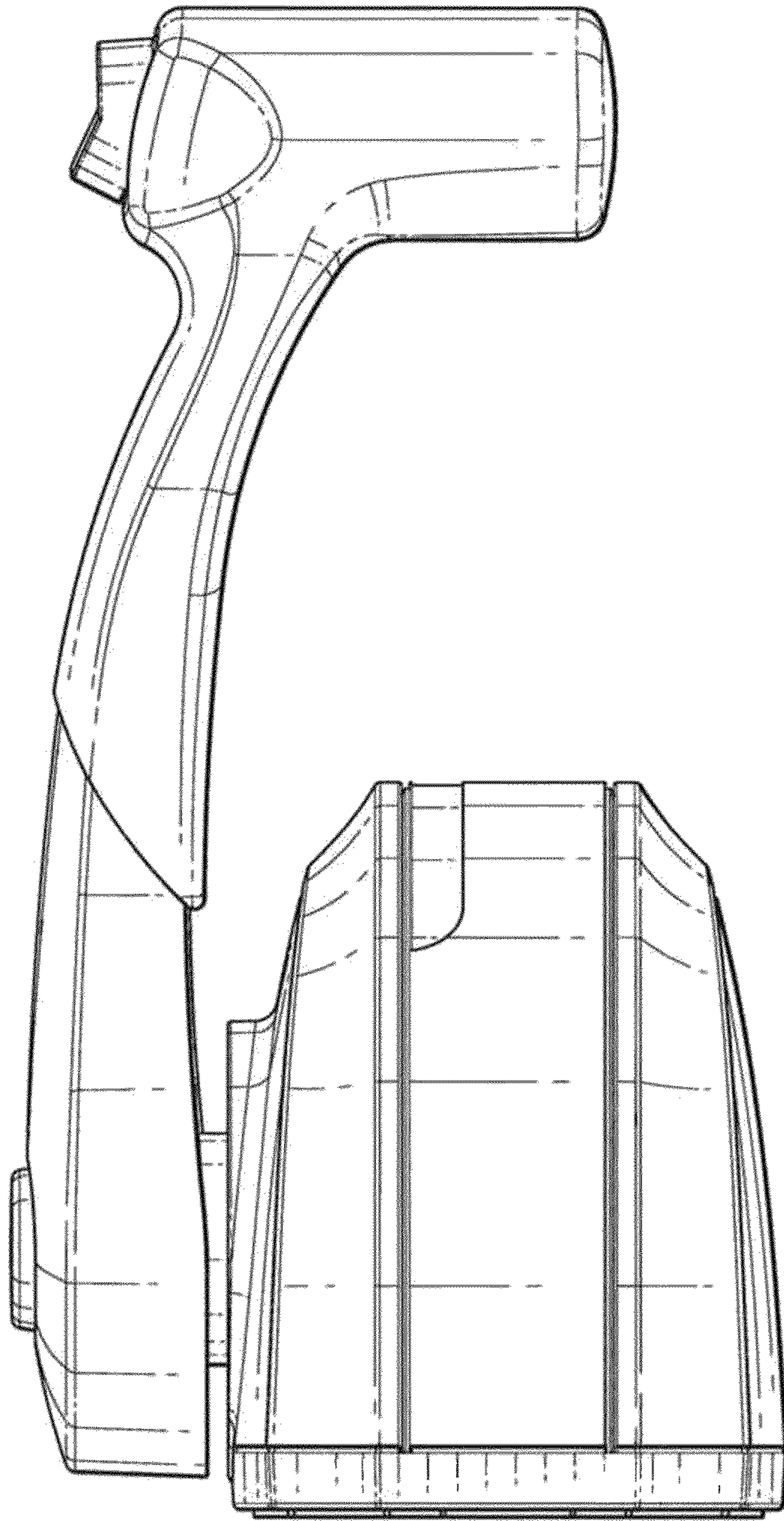


FIG. 2

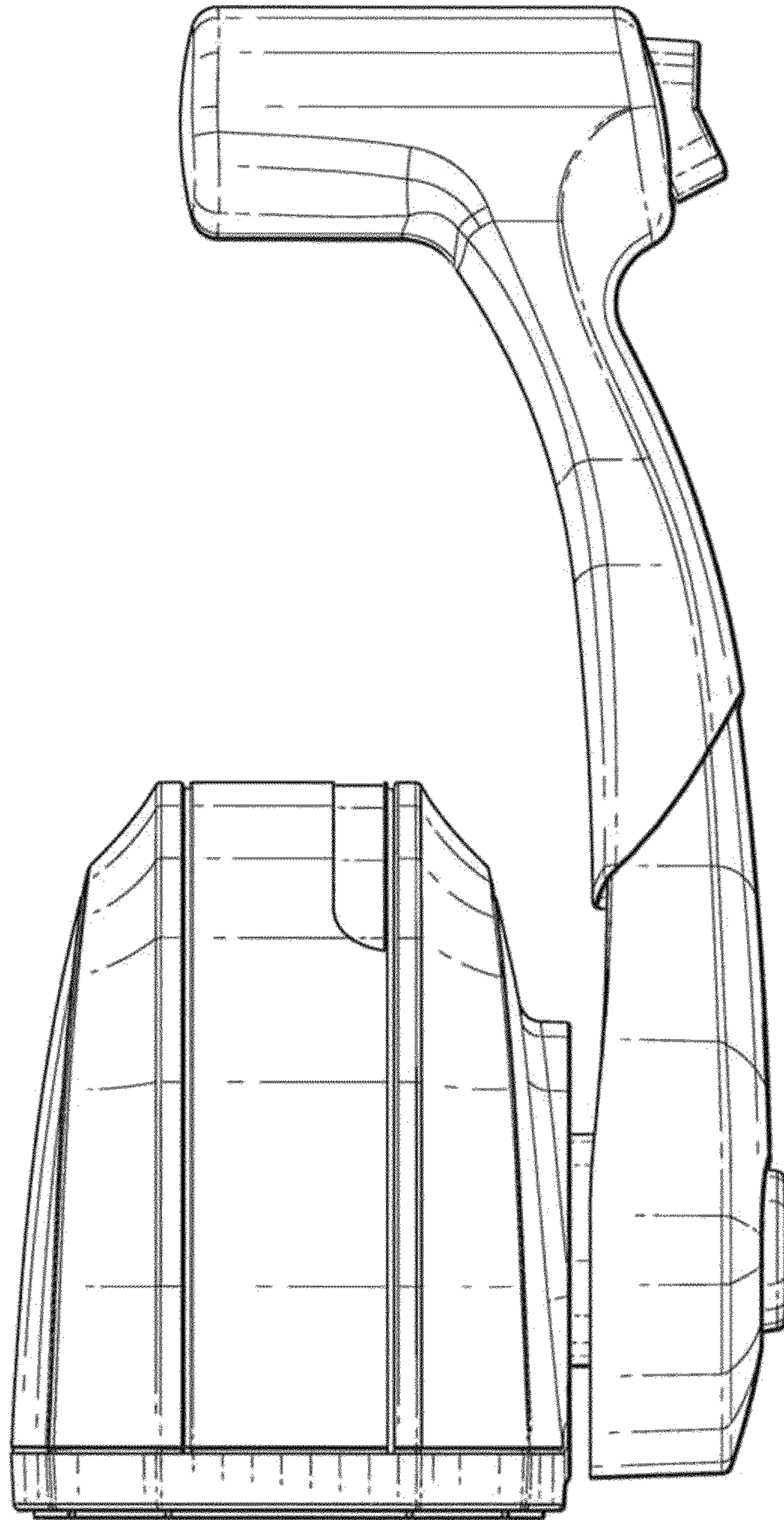


FIG. 3

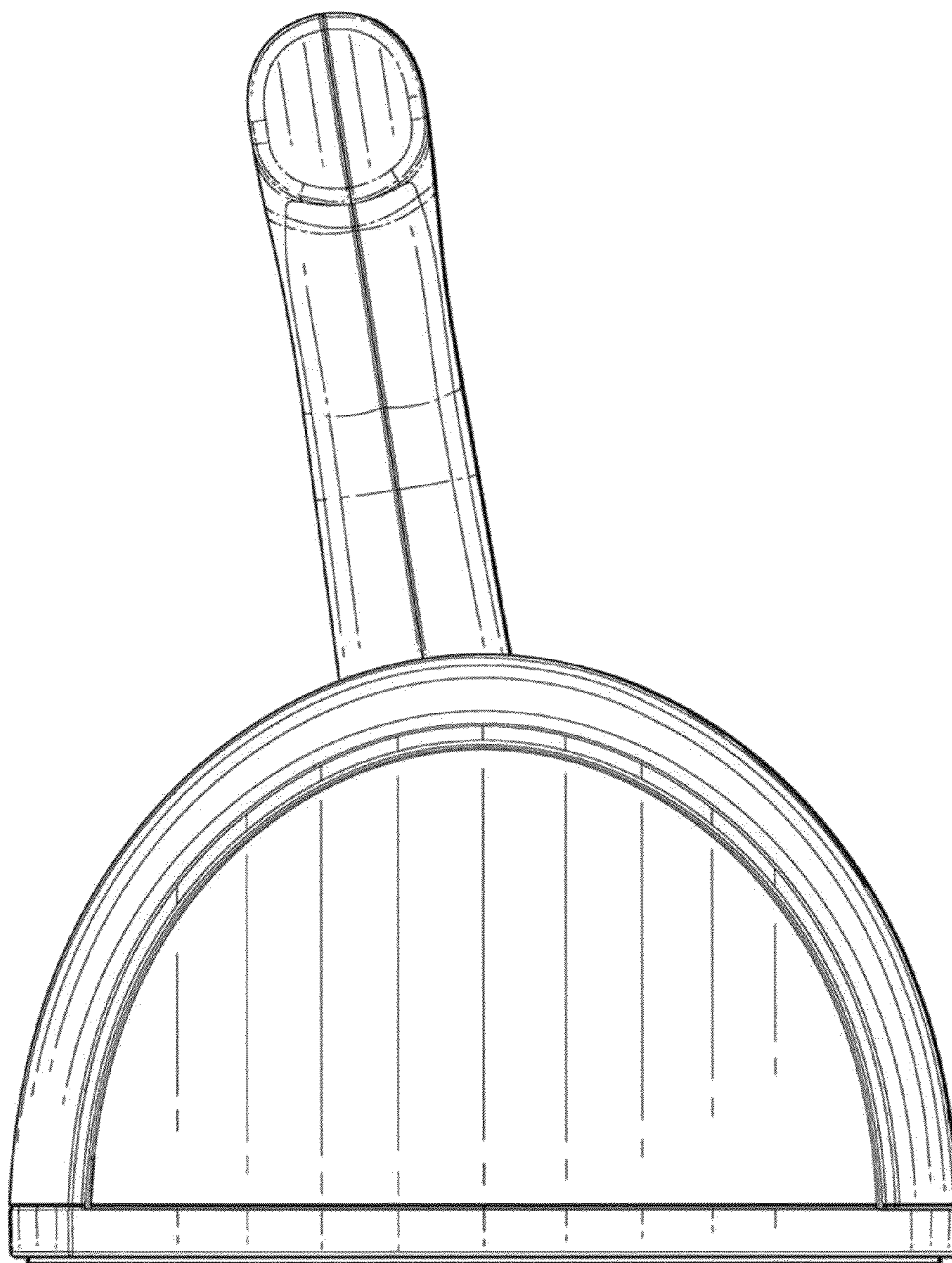


FIG. 4

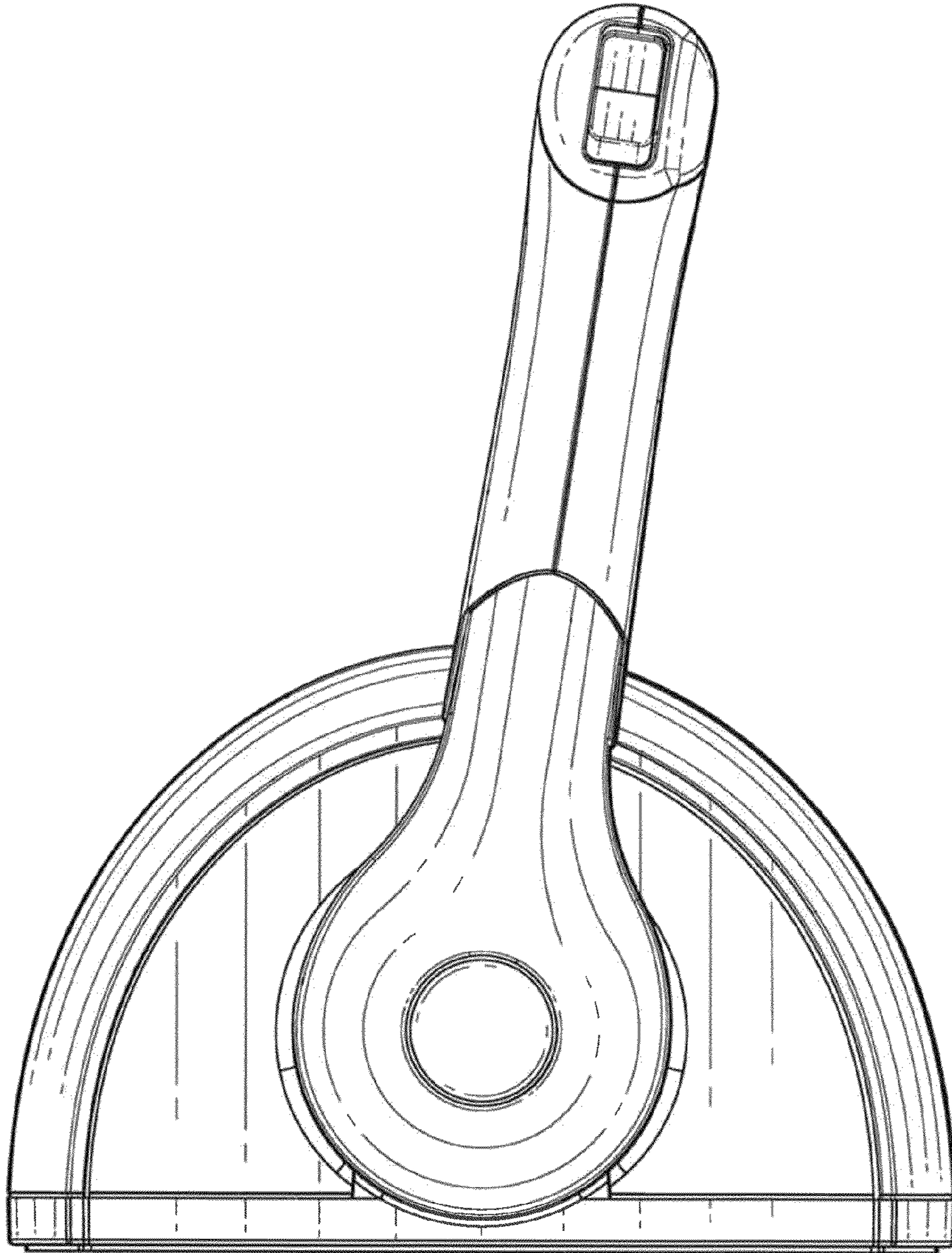


FIG. 5

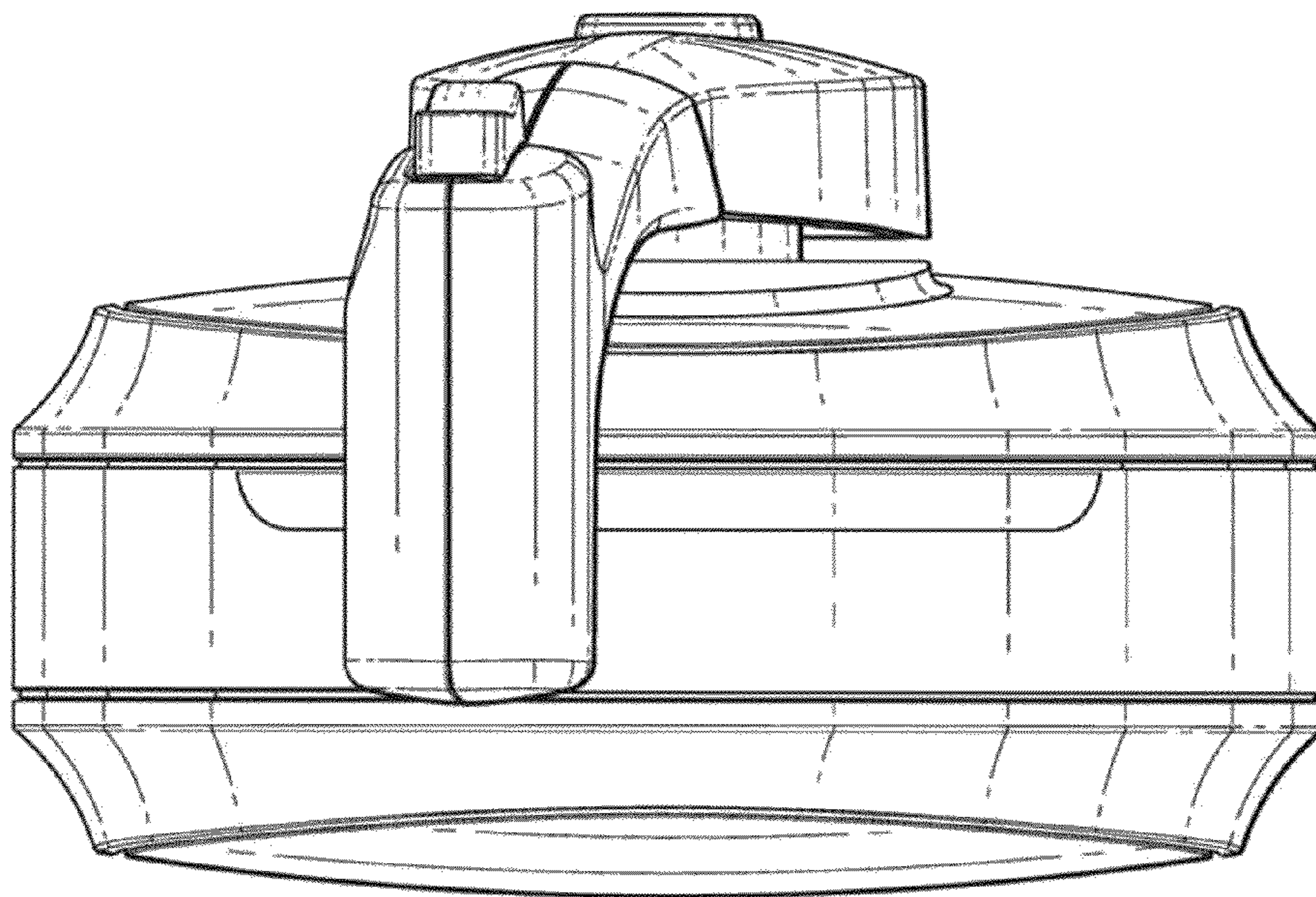


FIG. 6

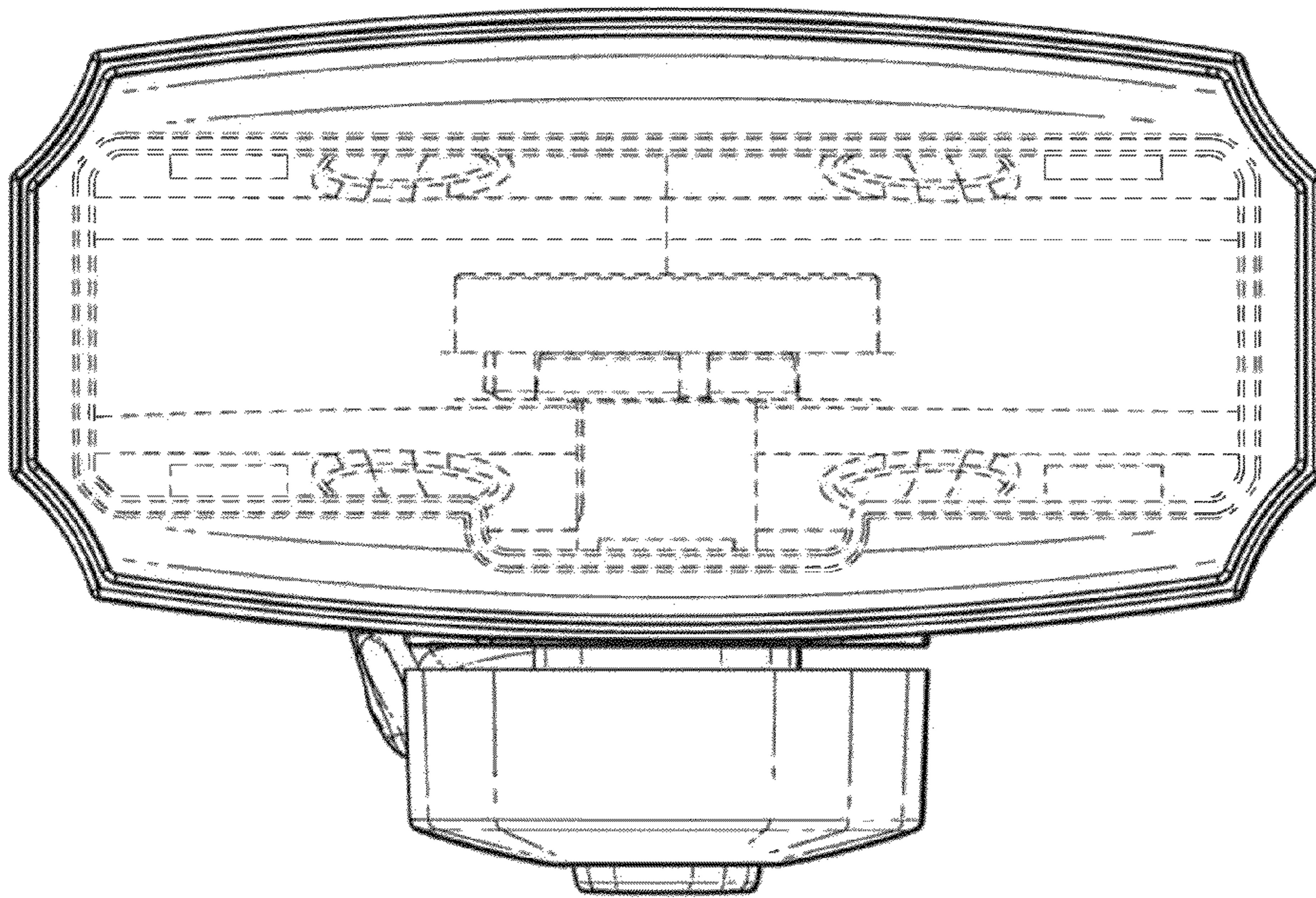


FIG. 7