



US00D710777S

(12) **United States Design Patent**
Platto et al.

(10) **Patent No.:** **US D710,777 S**

(45) **Date of Patent:** **** Aug. 12, 2014**

(54) **VEHICLE TAILGATE**

(71) Applicant: **Ford Motor Company**, Dearborn, MI (US)

(72) Inventors: **Gordon M. Platto**, Troy, MI (US);
Anthony Lee Meyer, Dearborn, MI (US); **Brad Alan Richards**, Bloomfield Hills, MI (US)

(73) Assignee: **Ford Motor Company**, Dearborn, MI (US)

(**) Term: **14 Years**

(21) Appl. No.: **29/440,504**

(22) Filed: **Dec. 21, 2012**

(51) **LOC (10) Cl.** **12-16**

(52) **U.S. Cl.**
USPC **D12/196**

(58) **Field of Classification Search**
USPC D12/93, 98, 196, 221, 401; 296/26, 296/39.1, 39.2, 50, 51, 57.1, 181.3, 181.1
See application file for complete search history.

(56) **References Cited**

U.S. PATENT DOCUMENTS

D295,278	S	*	4/1988	Smith	D12/196
4,861,093	A	*	8/1989	Chapman	296/180.1
D397,978	S	*	9/1998	Helgeson et al.	D12/196
D399,468	S	*	10/1998	Lund et al.	D12/196
D420,317	S	*	2/2000	Ney	D12/196
6,431,630	B1	*	8/2002	Meinke	296/50
D491,855	S	*	6/2004	Velazco	D12/196
D494,910	S	*	8/2004	Metros et al.	D12/196
6,811,067	B2	*	11/2004	Muizelaar et al.	224/404
6,905,157	B2	*	6/2005	Kang et al.	296/55
D520,426	S	*	5/2006	Fisker et al.	D12/196
D527,697	S	*	9/2006	Metros et al.	D12/196
D541,719	S	*	5/2007	McChesney et al.	D12/196
D556,110	S	*	11/2007	Schiavone et al.	D12/196

D560,584	S	*	1/2008	Tant et al.	D12/196
D564,954	S	*	3/2008	Shimoguchi et al.	D12/196
7,347,473	B2	*	3/2008	Miller et al.	296/26.1
D613,225	S	*	4/2010	Wu	D12/196
D614,556	S	*	4/2010	Wu	D12/196
8,348,325	B2	*	1/2013	Hausler et al.	296/51
D684,515	S	*	6/2013	Oliver	D12/196

OTHER PUBLICATIONS

Ron Sessions. Ford Atlas Concept. Jan. 15, 2013 [online], [retrieved on Aug. 15, 2013]. Retrieved from the Internet <URL: <http://www.caranddriver.com/news/ford-atlas-concept-photos-and-info-news>>.*

Ford Atlas Concept. Ford Press Kit. Jan. 14, 2013 [online], [retrieved on Aug. 15, 2013]. Retrieved from the Internet <URL: <http://fordatlasconcept.fordpresskits.com/enhanced.htm>>.*

Siler, Steve, <http://www.caranddriver.com/news/2011-ford-f-series-super-duty-official-photos-and-info>, 2011 Ford F-Series Super Duty, Sep. 2009, pp. 1-3.

* cited by examiner

Primary Examiner — Philip S Hyder

Assistant Examiner — Darlington Ly

(74) *Attorney, Agent, or Firm* — Damian Porcari; Brooks Kushman P.C.

(57) **CLAIM**

The ornamental design for a vehicle tailgate, as shown and described.

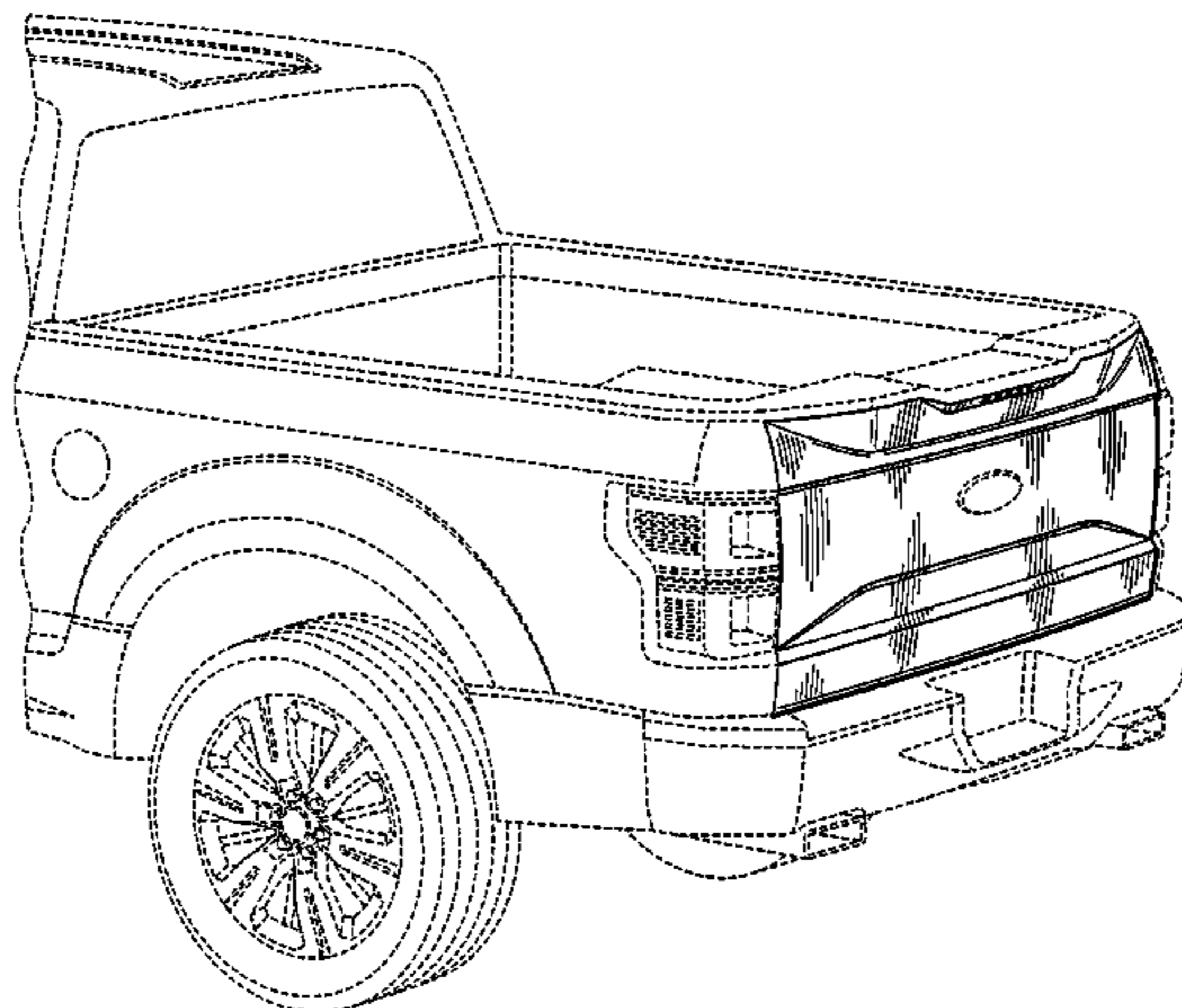
DESCRIPTION

FIG. 1 is a rear perspective view of a vehicle tailgate in accordance with an embodiment of the present invention; and,

FIG. 2 is a rear/left side perspective view of the vehicle tailgate of FIG. 1, wherein a rear/right side perspective view is a mirror image thereof.

The broken lines shown in the drawings form no part of the claimed design.

1 Claim, 2 Drawing Sheets



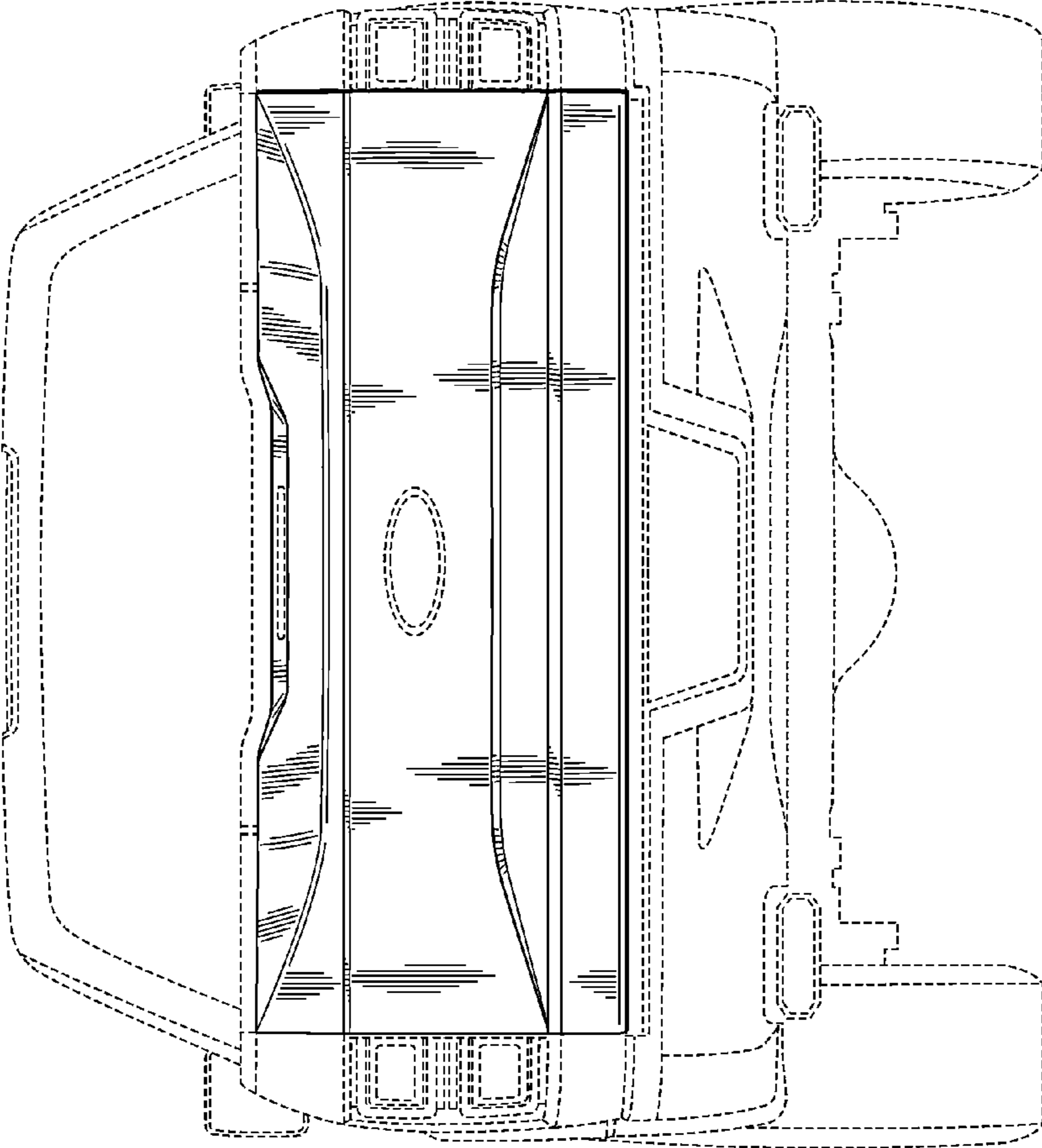


FIG. 1

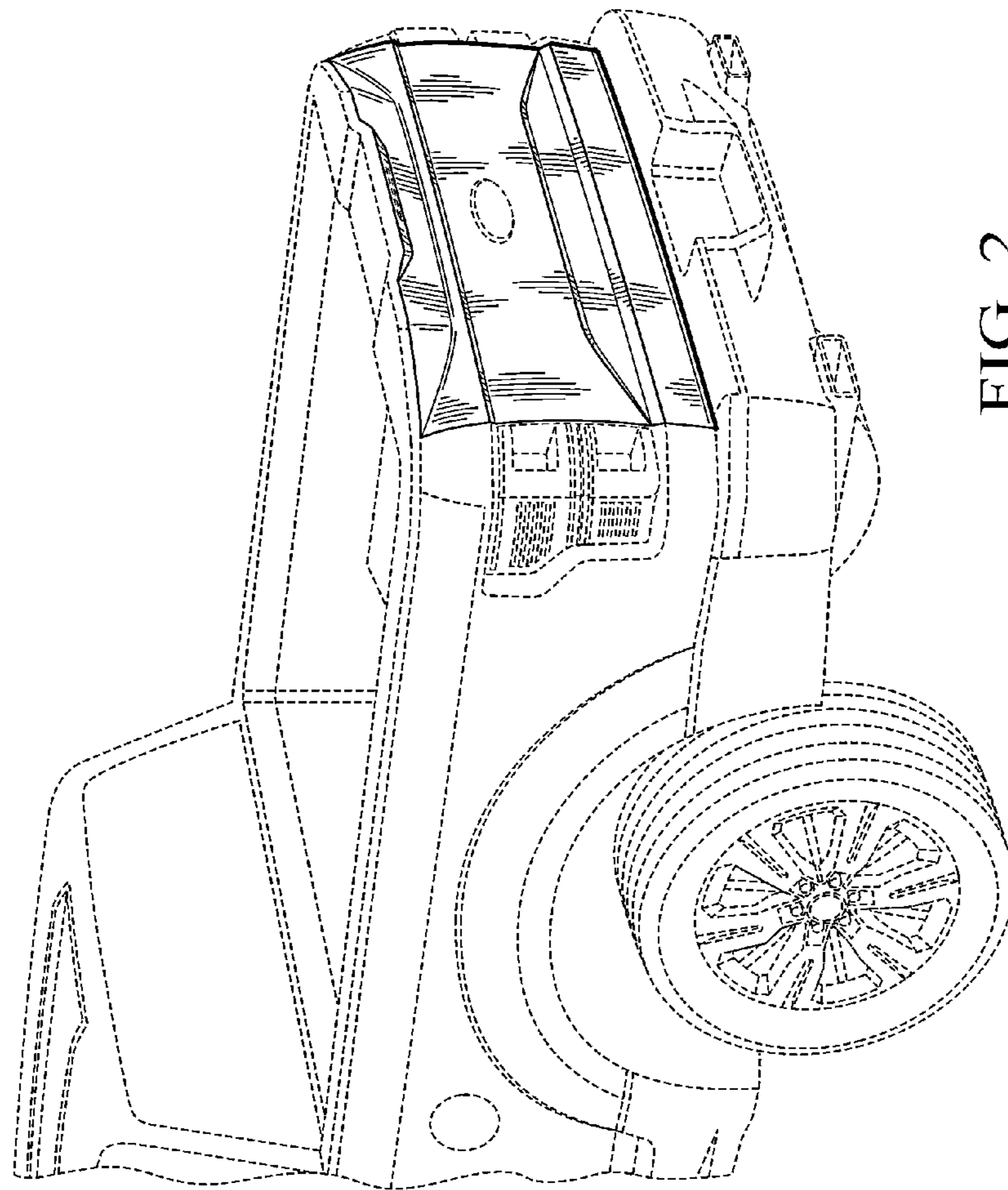


FIG. 2