



US00D710772S

(12) **United States Design Patent**
Maiorana et al.

(10) **Patent No.:** **US D710,772 S**

(45) **Date of Patent:** **** Aug. 12, 2014**

(54) **WIND DEFLECTOR FOR TRAILER TANK**

(71) Applicant: **Mac LTT, Inc.**, Kent, OH (US)

(72) Inventors: **James A. Maiorana**, Hartville, OH (US); **Edward D. Mansell**, Ravenna, OH (US)

(73) Assignee: **Mac LTT, Inc.**, Kent, OH (US)

(**) Term: **14 Years**

(21) Appl. No.: **29/449,197**

(22) Filed: **Mar. 14, 2013**

(51) **LOC (10) Cl.** **12-08**

(52) **U.S. Cl.**
USPC **D12/181**

(58) **Field of Classification Search**
USPC D12/181, 191, 196, 400, 190, 88;
280/727, 770, 848; 296/180.1-180.5,
296/91; 180/903

See application file for complete search history.

(56) **References Cited**

U.S. PATENT DOCUMENTS

1,045,776	A *	11/1912	Dunham	454/146
D245,099	S *	7/1977	Wilson	D23/393
4,057,280	A	11/1977	MacCready, Jr. et al.		
4,210,354	A	7/1980	Canning		
4,281,869	A	8/1981	Saint		

4,313,635	A	2/1982	Front		
6,105,805	A	8/2000	Labelle et al.		
6,173,854	B1	1/2001	Labelle et al.		
6,561,373	B1	5/2003	Chapin		
7,172,240	B1 *	2/2007	Kaufman	296/152
D619,936	S *	7/2010	Paluszkiewicz	D12/114
D619,937	S *	7/2010	Paluszkiewicz	D12/114
D621,305	S *	8/2010	Paluszkiewicz	D12/114

* cited by examiner

Primary Examiner — Katrina A Betton

(74) *Attorney, Agent, or Firm* — Sand & Sebolt

(57) **CLAIM**

The ornamental design for a wind deflector for trailer tank, as shown and described.

DESCRIPTION

FIG. 1 is a side elevational view of a wind deflector for a trailer tank showing our new design.

FIG. 2 is an enlarged side elevational view of the wind deflector.

FIG. 3 is a top plan view of FIG. 2.

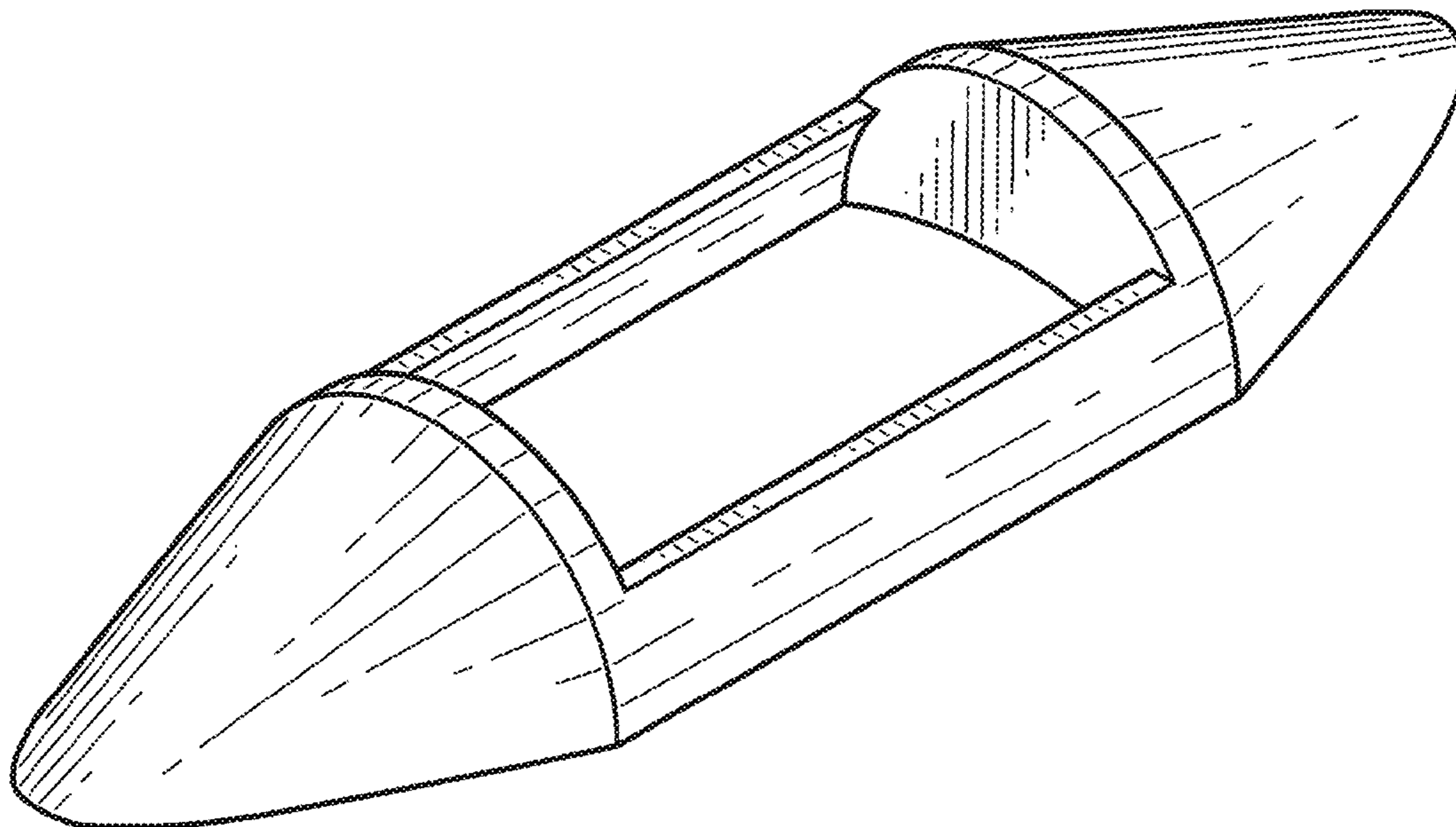
FIG. 4 is a bottom plan view of FIG. 2.

FIG. 5 is an end elevational view of FIG. 2, the opposite end being a mirror image thereof; and,

FIG. 6 is a top perspective view of the wind deflector of FIG. 2.

The broken lines shown in FIG. 1 define a type of trailer and tank with which the wind deflector of our design will be used and are for illustrative purposes only and form no part of the claimed design.

1 Claim, 3 Drawing Sheets



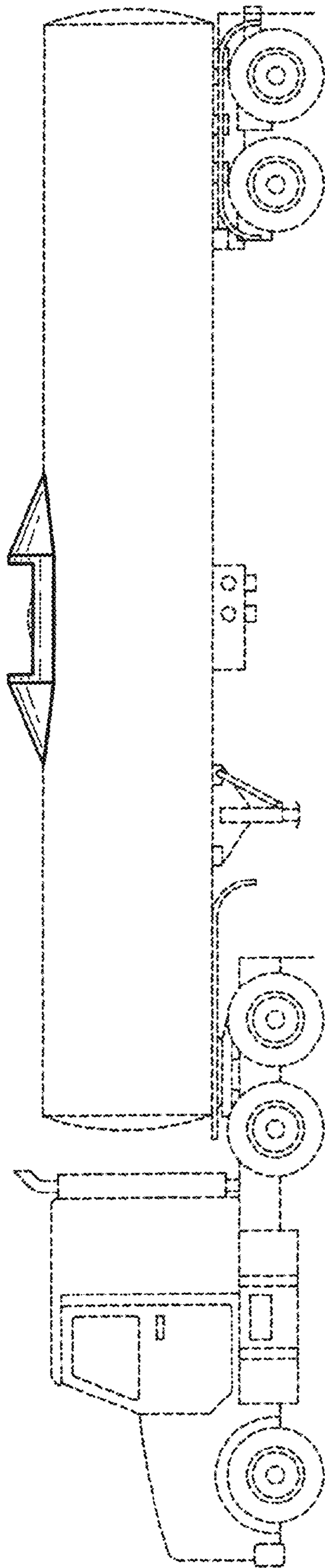


FIG-1

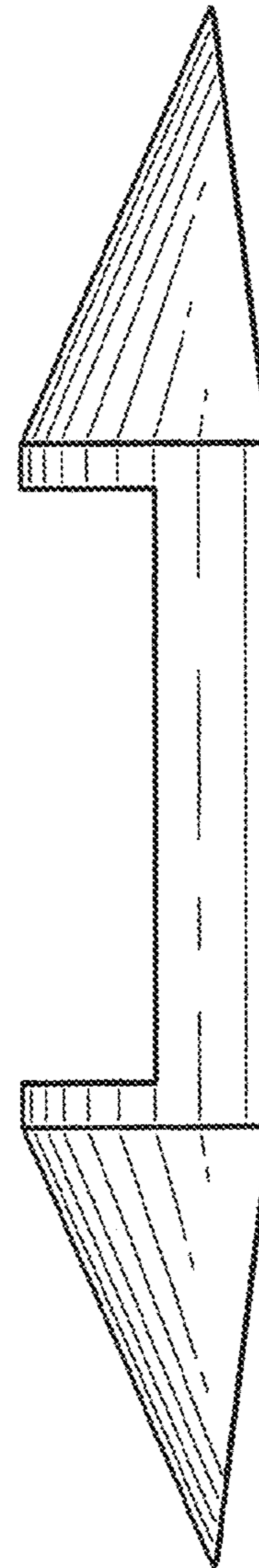


FIG-2

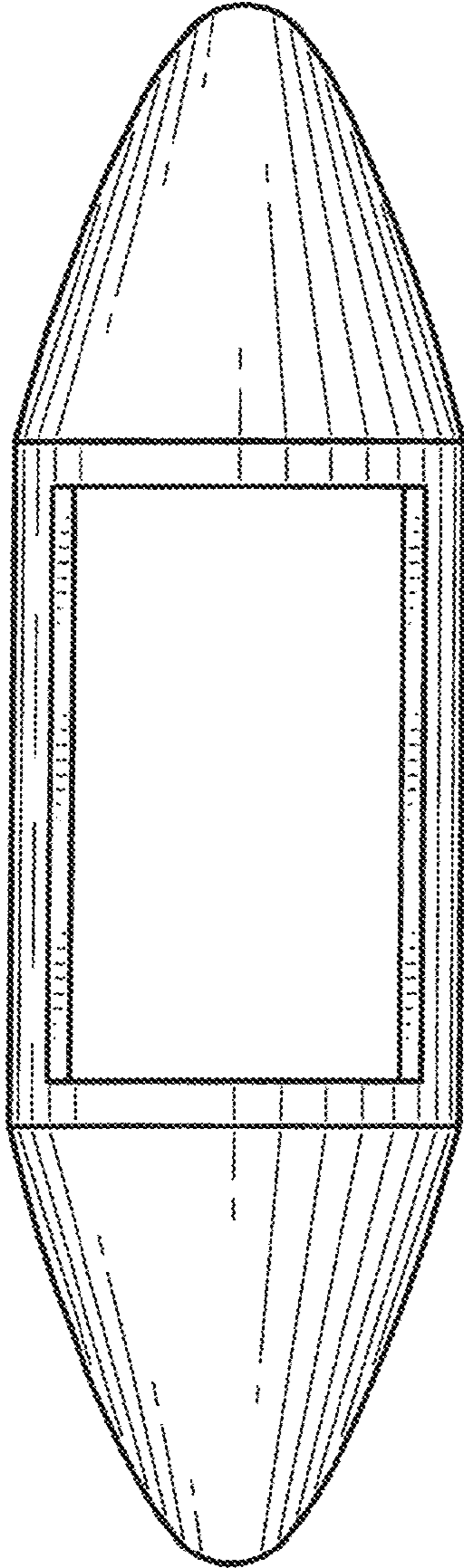


FIG-3

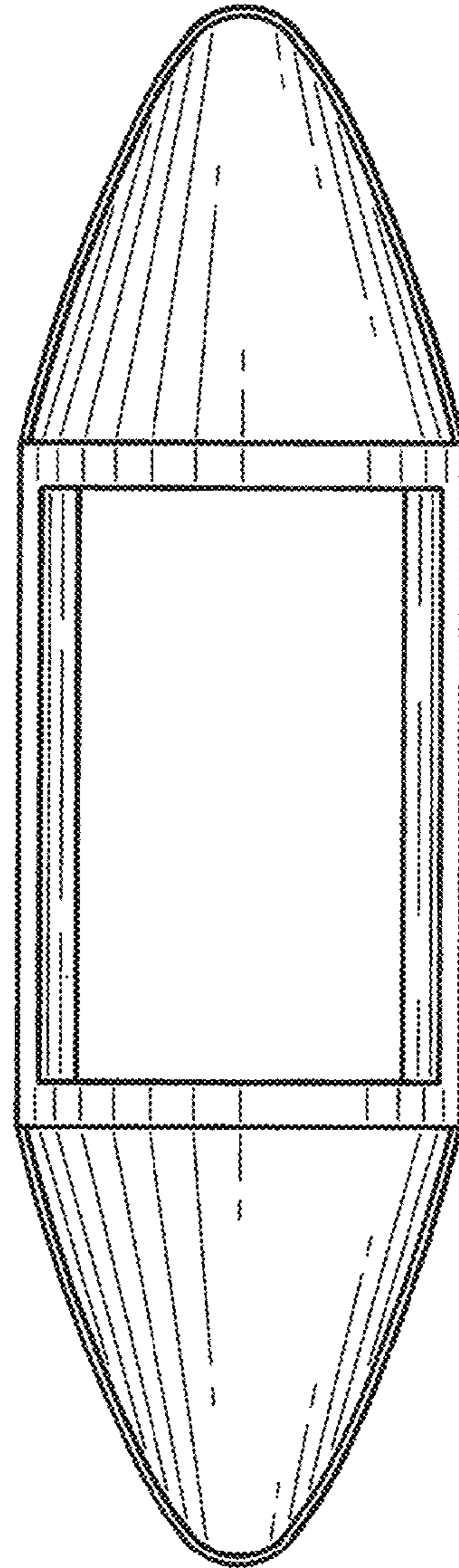


FIG-4

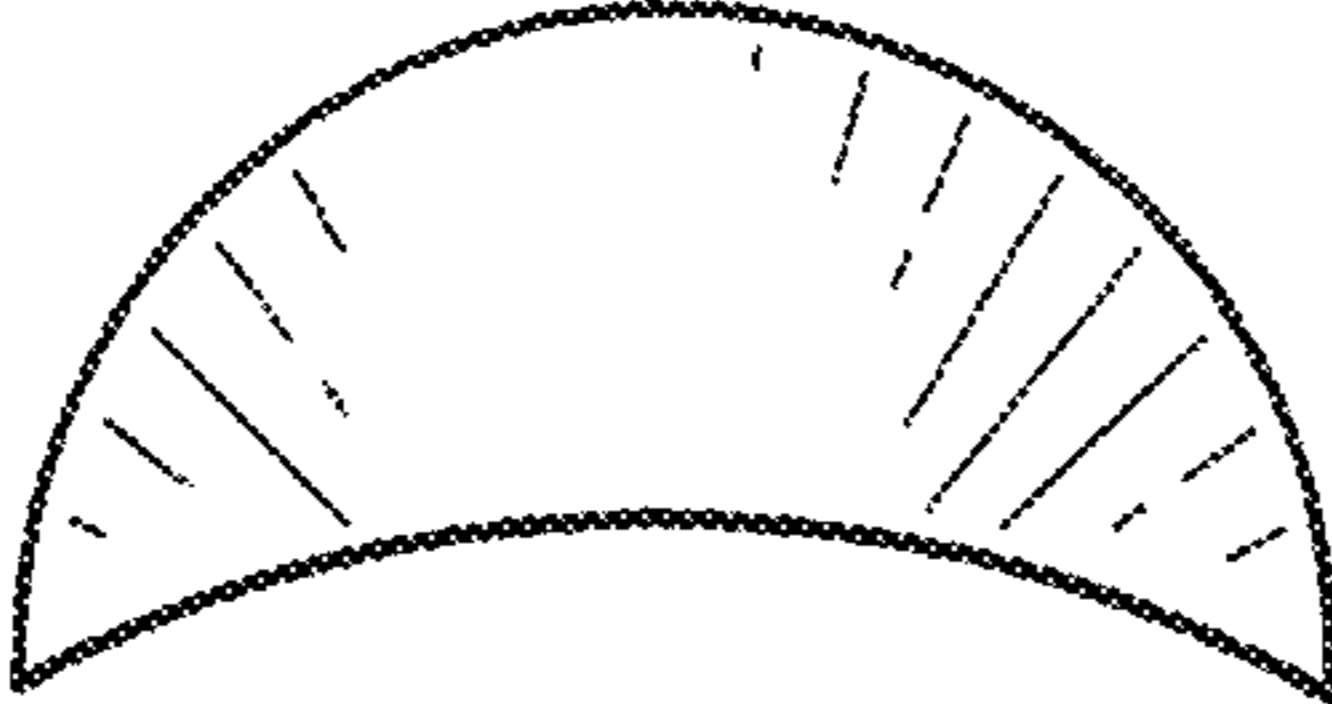


FIG-5

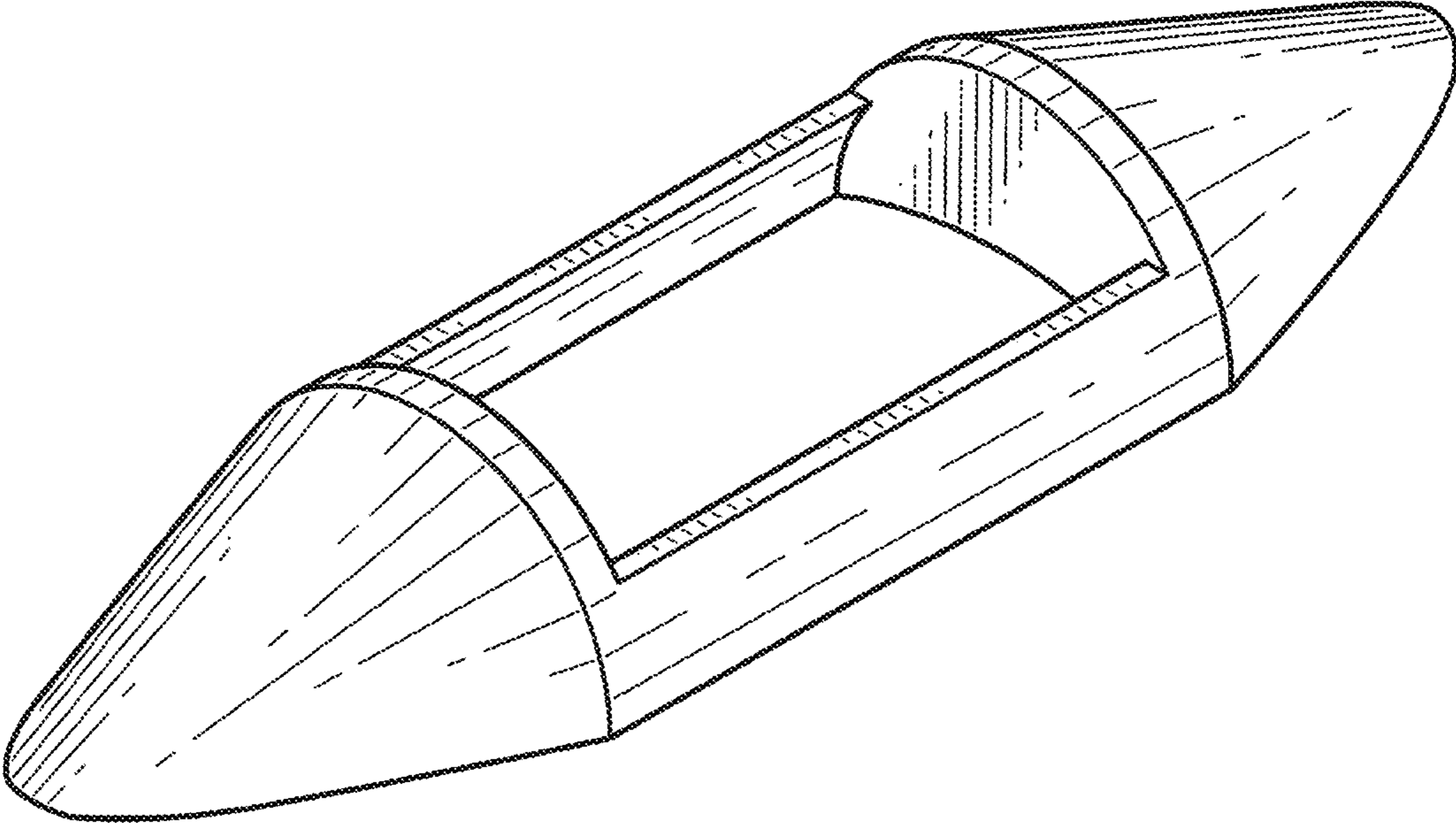


FIG-6