



US00D710770S

(12) **United States Design Patent**
Caskey

(10) **Patent No.:** **US D710,770 S**

(45) **Date of Patent:** **** Aug. 12, 2014**

(54) **DRIVER CHASSIS**

(71) Applicant: **Scott B. Caskey**, Spring, TX (US)

(72) Inventor: **Scott B. Caskey**, Spring, TX (US)

(**) Term: **14 Years**

(21) Appl. No.: **29/437,408**

(22) Filed: **Nov. 15, 2012**

(51) **LOC (10) Cl.** **12-16**

(52) **U.S. Cl.**
USPC **D12/178**

(58) **Field of Classification Search**

CPC F16D 3/68; F16D 3/76; F16F 15/1245;
F16F 15/124; E05B 49/02; E05B 49/47;
E21B 4/02; E21B 4/00; G01B 5/255; G01B
5/20
USPC D12/178, 159, 160; 464/93, 159, 112,
464/160; 440/12.51; 227/180.1, 176.1, 19,
227/175.2, 179.1; 173/178; 606/139, 219;
180/248, 249, 69.6, 54.1, 219, 226,
180/227; 33/606, 286, 412, 203, 613,
33/203.18; 175/107, 101; 403/57;
418/182, 48; 477/2, 6; 280/124.152

See application file for complete search history.

(56) **References Cited**

U.S. PATENT DOCUMENTS

4,493,387 A * 1/1985 Lake et al. 180/248
5,048,622 A * 9/1991 Ide 175/107
5,263,549 A * 11/1993 Dick 180/226
5,647,526 A * 7/1997 Green et al. 227/175.2
6,804,897 B1 * 10/2004 Horn 33/606
6,871,719 B2 * 3/2005 Breese et al. 180/248
7,185,438 B2 * 3/2007 Paulsen et al. 33/203

7,410,021 B1 * 8/2008 Beloso 180/69.6
8,459,525 B2 * 6/2013 Yates et al. 227/180.1
2003/0125116 A1 * 7/2003 Breese et al. 464/159
2003/0216090 A1 * 11/2003 McDowell 440/12.51
2006/0272866 A1 * 12/2006 Ziech 180/24.1
2006/0278456 A1 * 12/2006 Desrosiers 180/219
2009/0197730 A1 * 8/2009 Berhan 475/150
2012/0004043 A1 * 1/2012 Lehmann 464/93
2012/0306177 A1 * 12/2012 Thill 280/124.152
2013/0298616 A1 * 11/2013 Ullrich et al. 70/278.1

* cited by examiner

Primary Examiner — Susan E Krakower

Assistant Examiner — Ryan Harvey

(74) *Attorney, Agent, or Firm* — John K. Buche; Scott Compton Buche & Associates, P.C.

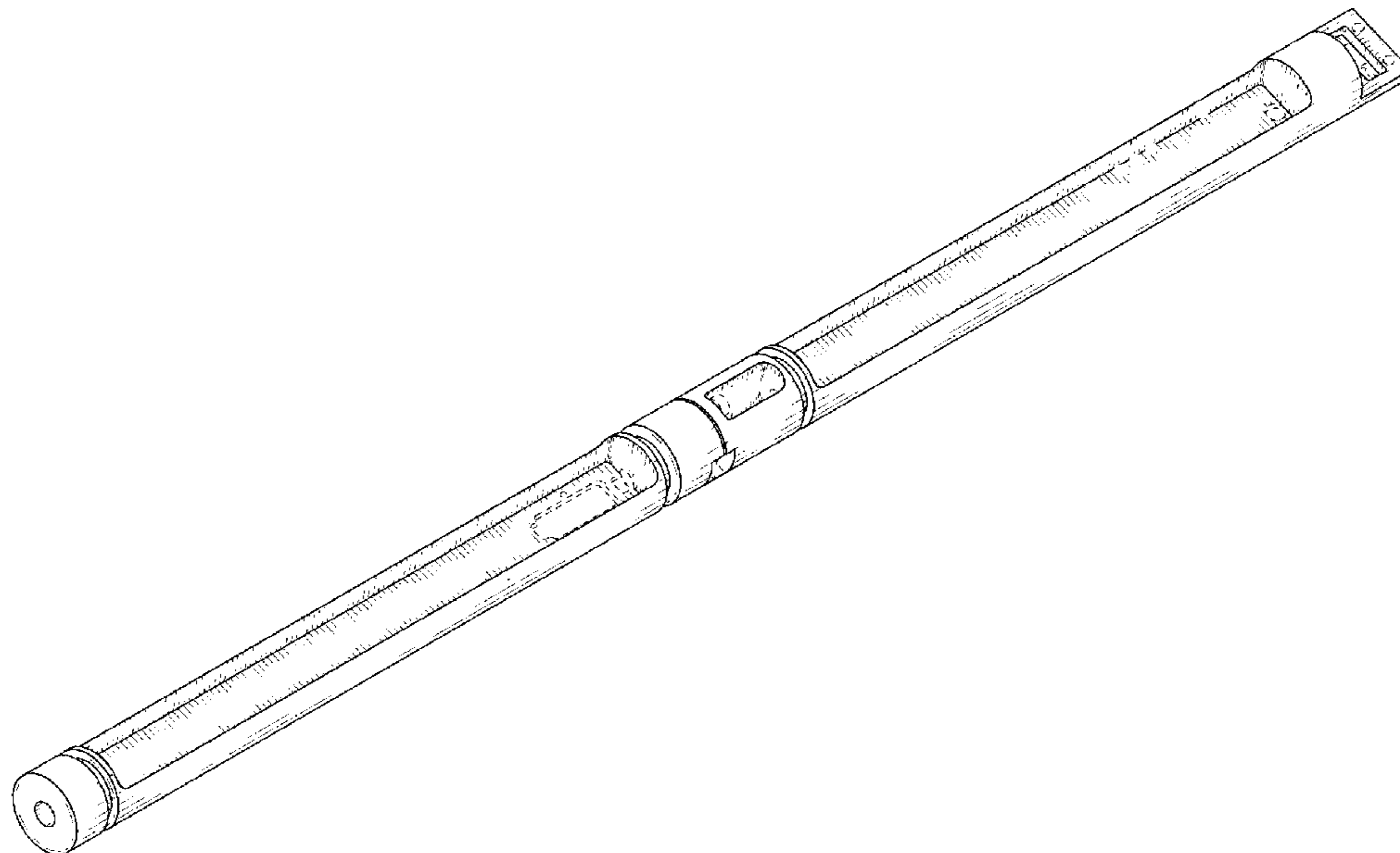
(57) **CLAIM**

The ornamental design for a driver chassis, as shown and described.

DESCRIPTION

FIG. 1 is a front perspective view of a driver chassis showing my new design;
FIG. 2 is a right side view of the driver chassis;
FIG. 3 is a left side view of the driver chassis;
FIG. 4 is a front view of the driver chassis;
FIG. 5 is a back view of the driver chassis;
FIG. 6 is a top view of the driver chassis;
FIG. 7 is a bottom view of the driver chassis;
FIG. 8 is a front perspective view of the driver chassis; and,
FIG. 9 is an exploded view of the driver chassis.
The broken lines of the Figures illustrate environmental structure and portions of the driver chassis that form no part of the claimed design.

1 Claim, 4 Drawing Sheets



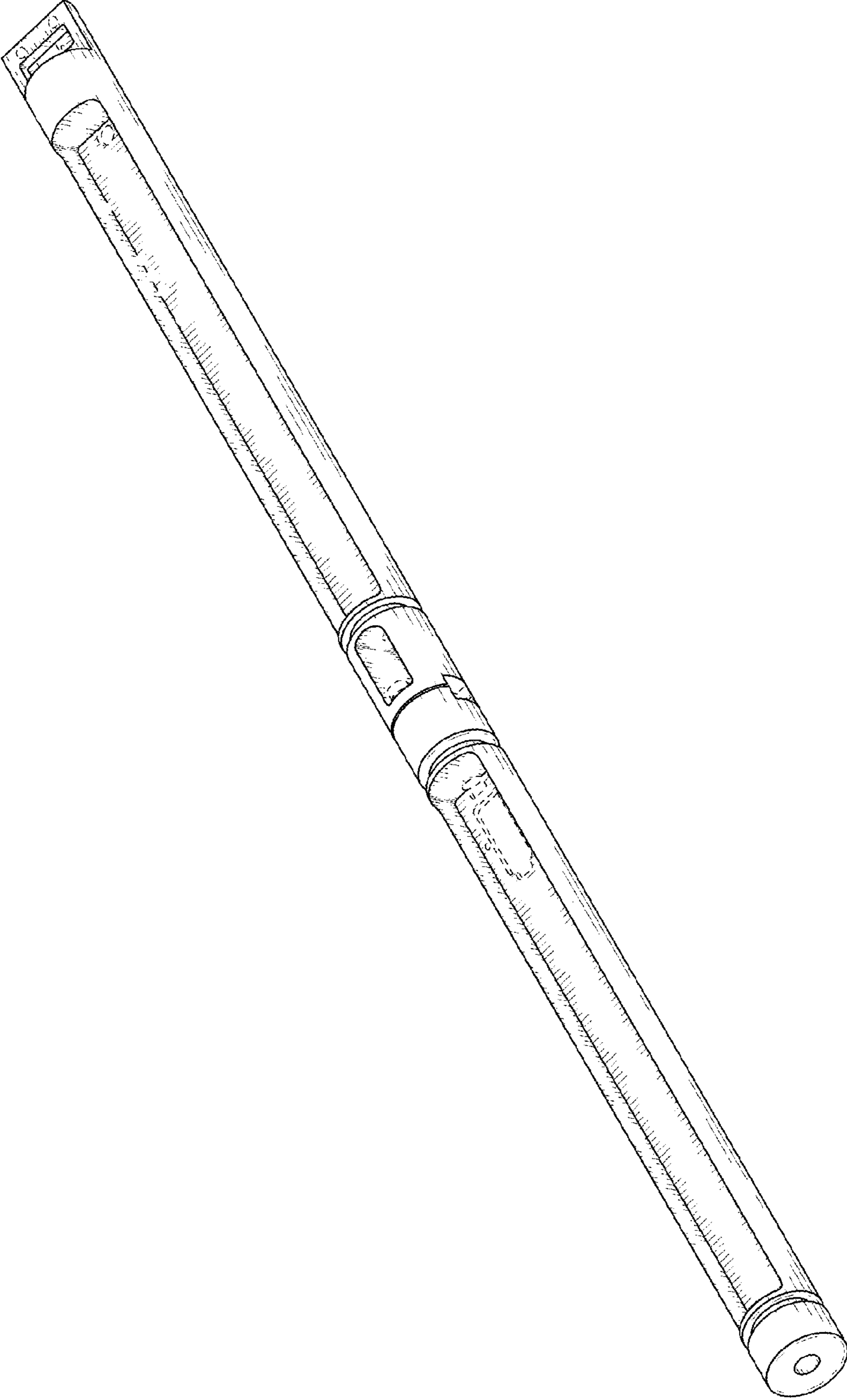


FIG. 1

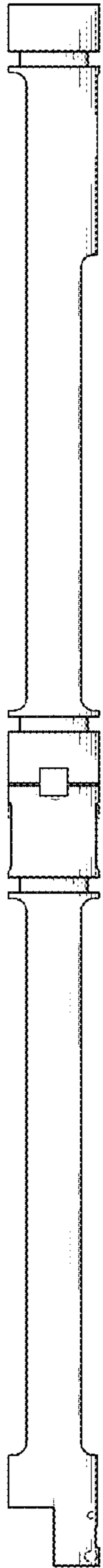


FIG. 2

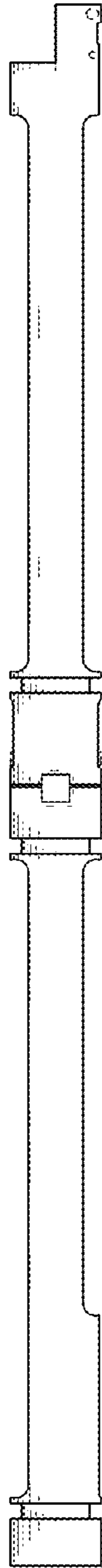


FIG. 3

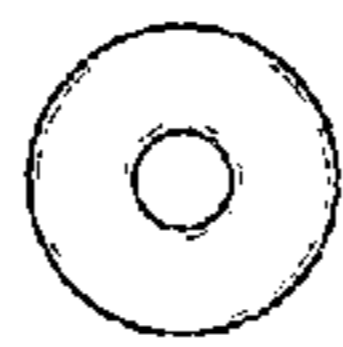


FIG. 4

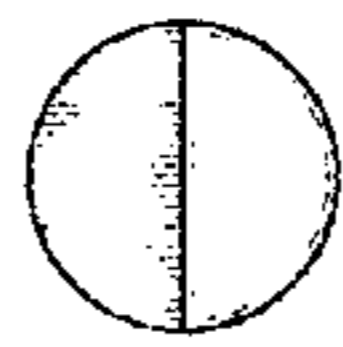


FIG. 5



FIG. 6



FIG. 7

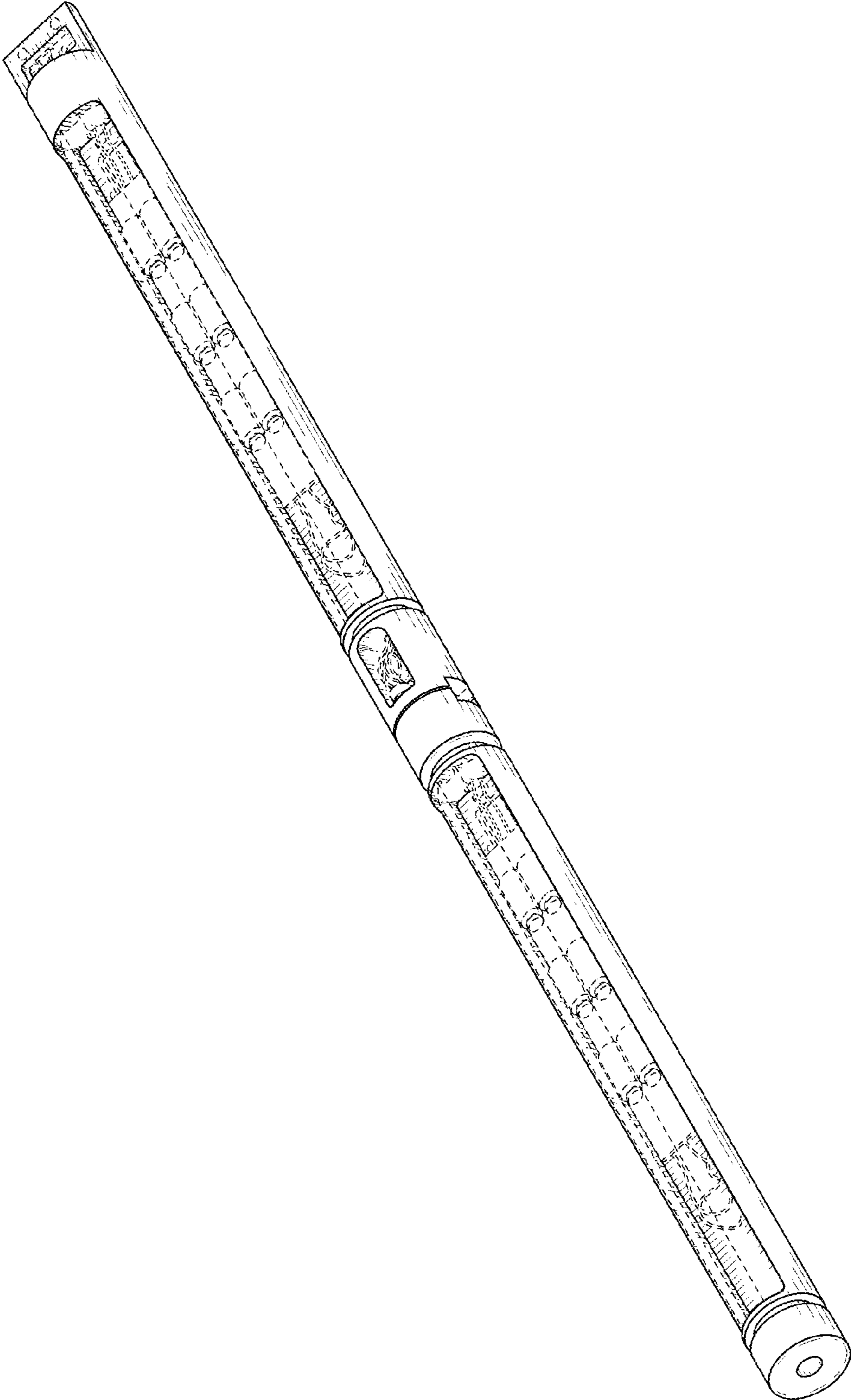


FIG. 8

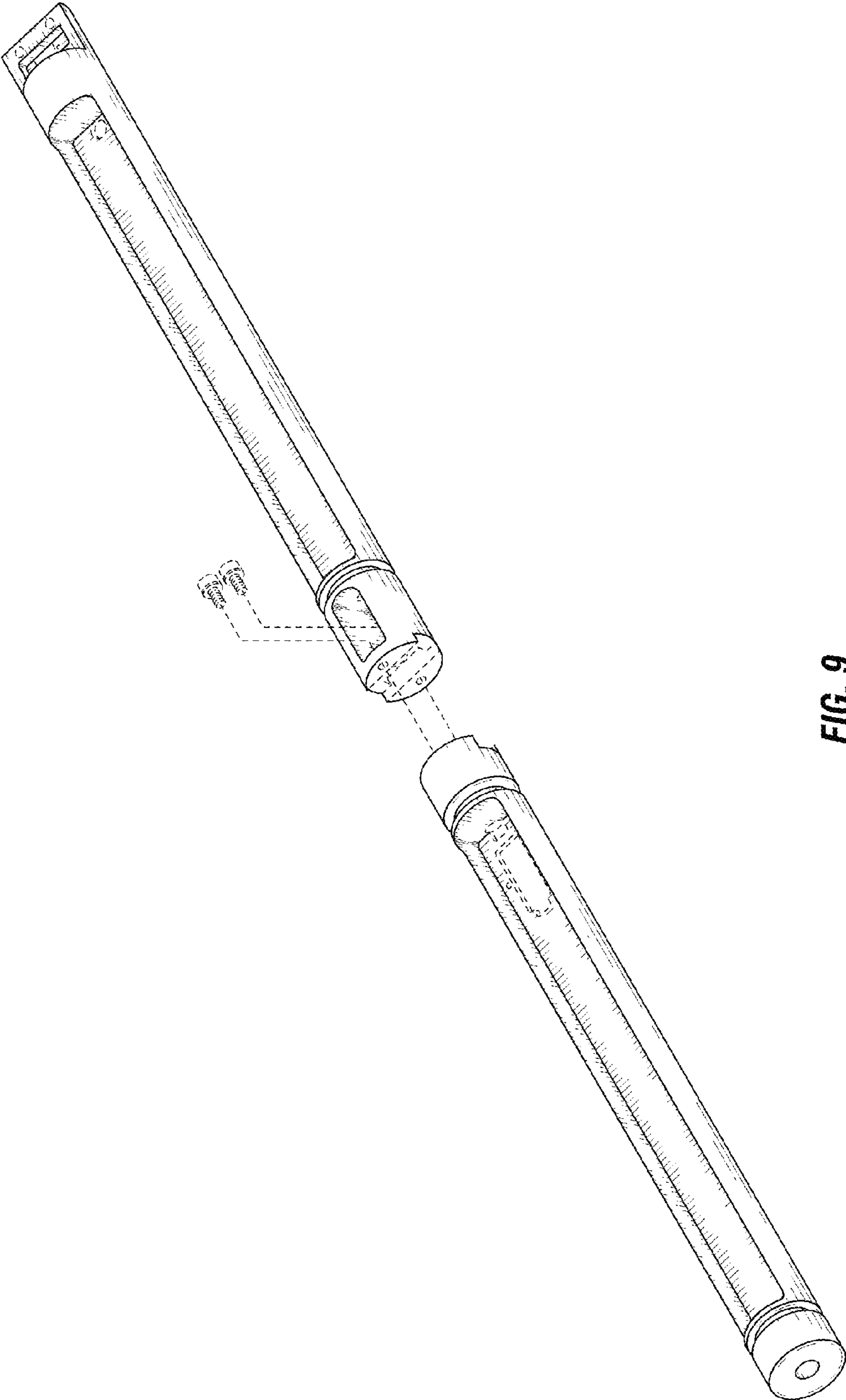


FIG. 9