

US00D710769S

(12) **United States Design Patent**  
**Cheung et al.**

(10) **Patent No.:** **US D710,769 S**

(45) **Date of Patent:** **\*\* Aug. 12, 2014**

(54) **STEERING WHEEL**

(56)

**References Cited**

(71) Applicants: **Winnie Cheung**, Clarkston, MI (US);  
**Stephen J Sowinski**, Rochester Hills,  
MI (US); **Clifford Wilkins**, Rochester  
Hills, MI (US); **Robert Walker**,  
Birmingham, MI (US); **Klaus Busse**,  
Lake Orion, MI (US)

U.S. PATENT DOCUMENTS

D630,983	S	*	1/2011	Frank et al.	.....	D12/176
D635,069	S	*	3/2011	Klein et al.	.....	D12/176
D635,900	S	*	4/2011	Anzi	.....	D12/176
D636,711	S	*	4/2011	Anzi	.....	D12/176
D666,131	S		8/2012	Gasevski et al.		
D671,464	S		11/2012	Baccus et al.		
D672,293	S	*	12/2012	Toyama et al.	.....	D12/176
D684,511	S	*	6/2013	Koyama	.....	D12/176
D688,606	S	*	8/2013	Balko et al.	.....	D12/176
D692,813	S	*	11/2013	Koyama	.....	D12/175
D696,991	S	*	1/2014	Bose et al.	.....	D12/176
D696,992	S	*	1/2014	Pohanka et al.	.....	D12/176

(72) Inventors: **Winnie Cheung**, Clarkston, MI (US);  
**Stephen J Sowinski**, Rochester Hills,  
MI (US); **Clifford Wilkins**, Rochester  
Hills, MI (US); **Robert Walker**,  
Birmingham, MI (US); **Klaus Busse**,  
Lake Orion, MI (US)

\* cited by examiner

*Primary Examiner* — Melody Brown

(73) Assignee: **Chrysler Group LLC**, Auburn Hills, MI  
(US)

(74) *Attorney, Agent, or Firm* — Ralph E. Smith

(\*\*) Term: **14 Years**

(57) **CLAIM**

The ornamental design for a steering wheel, as shown and described.

(21) Appl. No.: **29/457,534**

**DESCRIPTION**

(22) Filed: **Jun. 11, 2013**

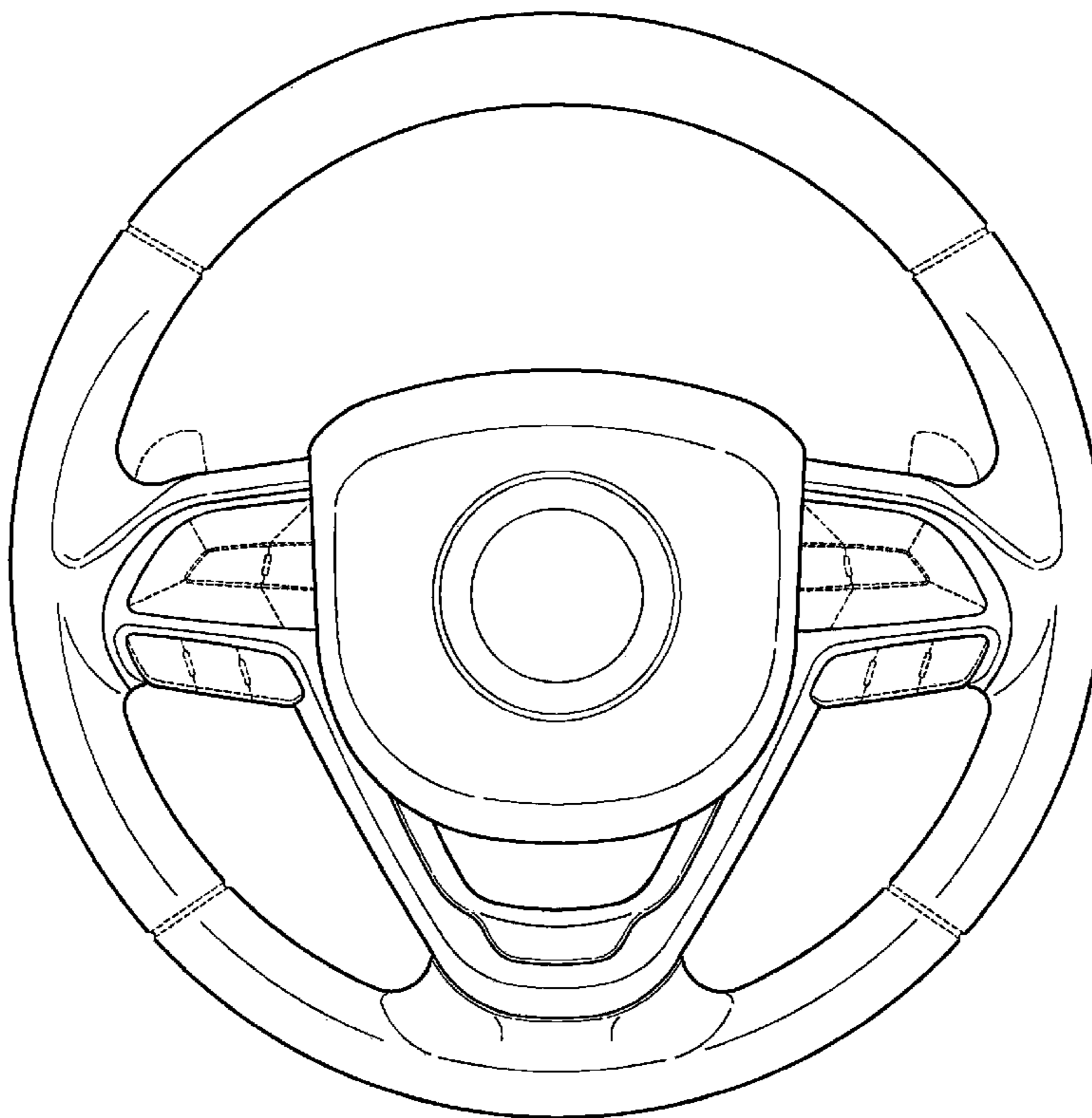
(51) **LOC (10) Cl.** ..... **12-16**

(52) **U.S. Cl.**  
USPC ..... **D12/176**

(58) **Field of Classification Search**  
USPC ..... D12/175, 176; 74/552, 558, 558.5  
See application file for complete search history.

FIG. 1 is a front perspective view of a steering wheel showing our new design;  
FIG. 2 is a top perspective view thereof;  
FIG. 3 is a side view thereof; and,  
FIG. 4 is a rear view thereof.  
It will be understood that the broken lines shown in the drawings illustrate portions of the steering wheel that form no part of claimed design.

**1 Claim, 4 Drawing Sheets**



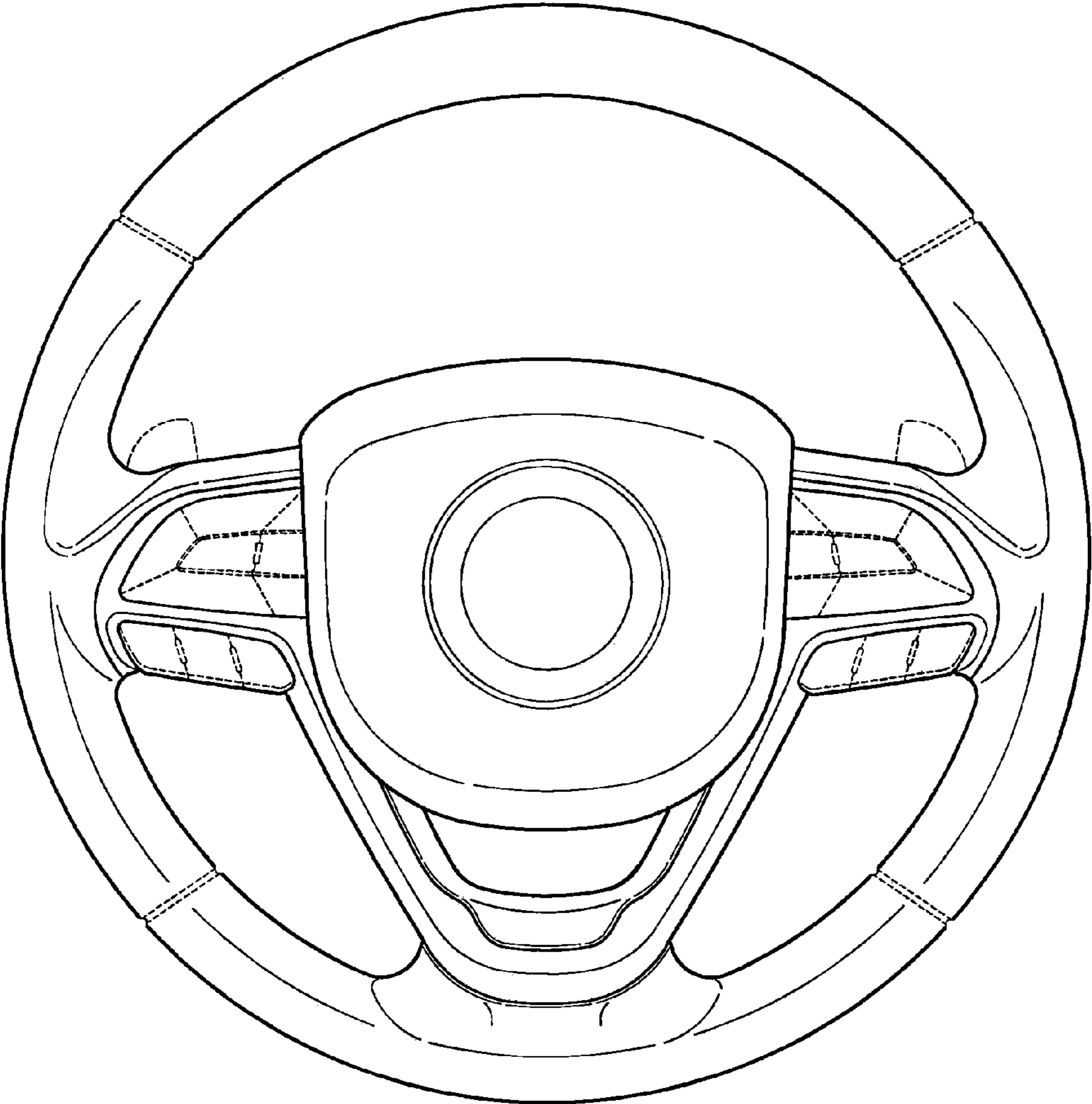


FIG. 1

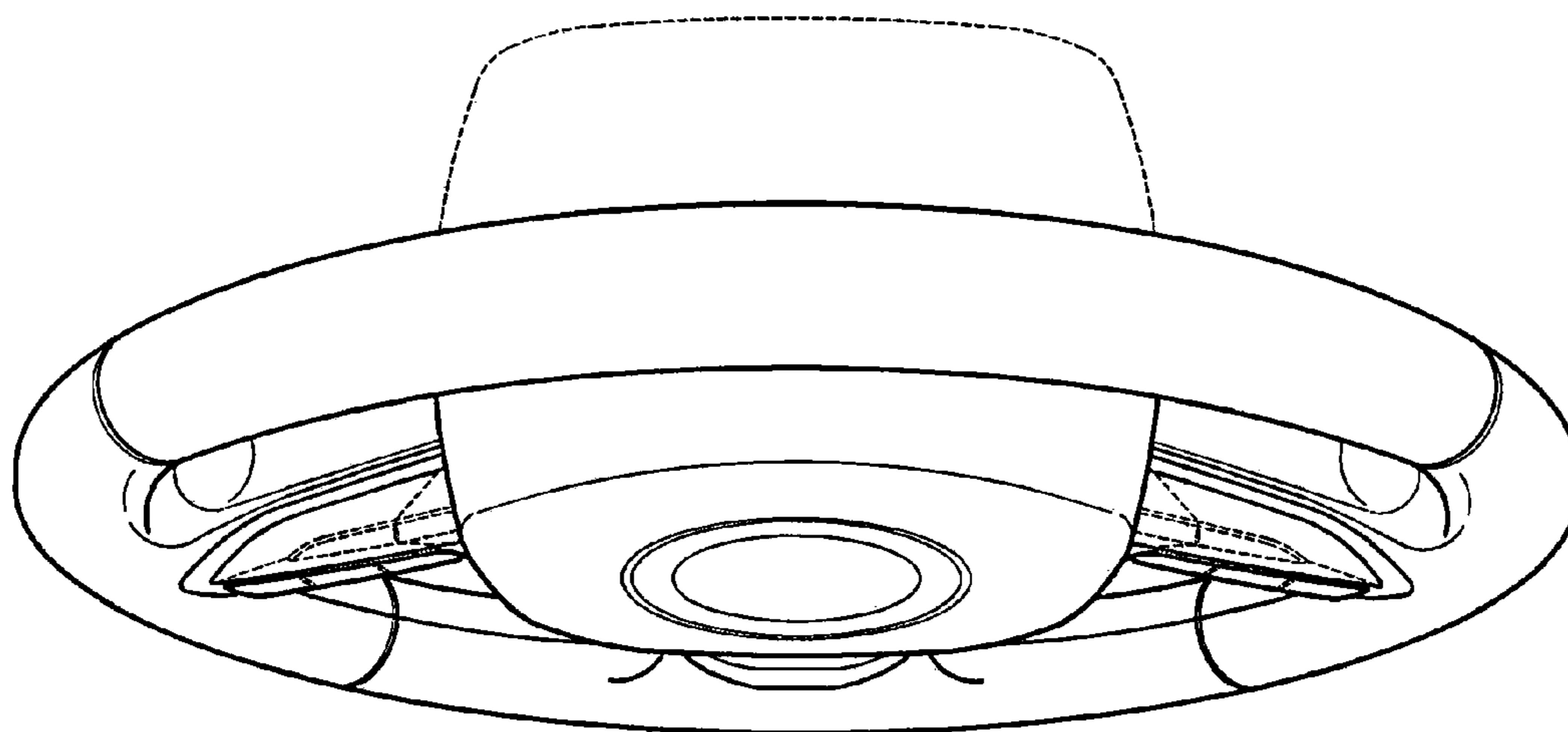
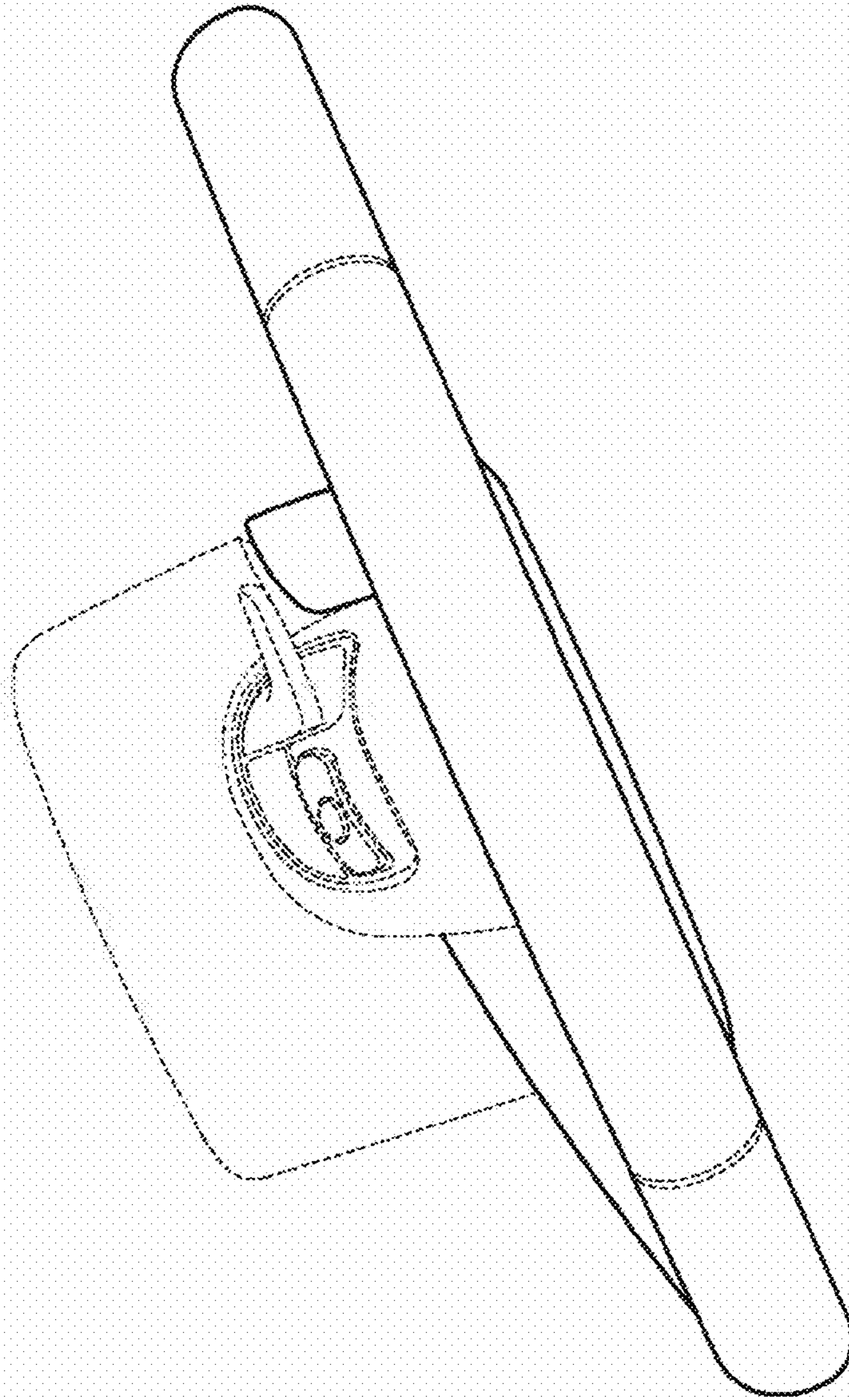


FIG. 2



**FIG. 3**

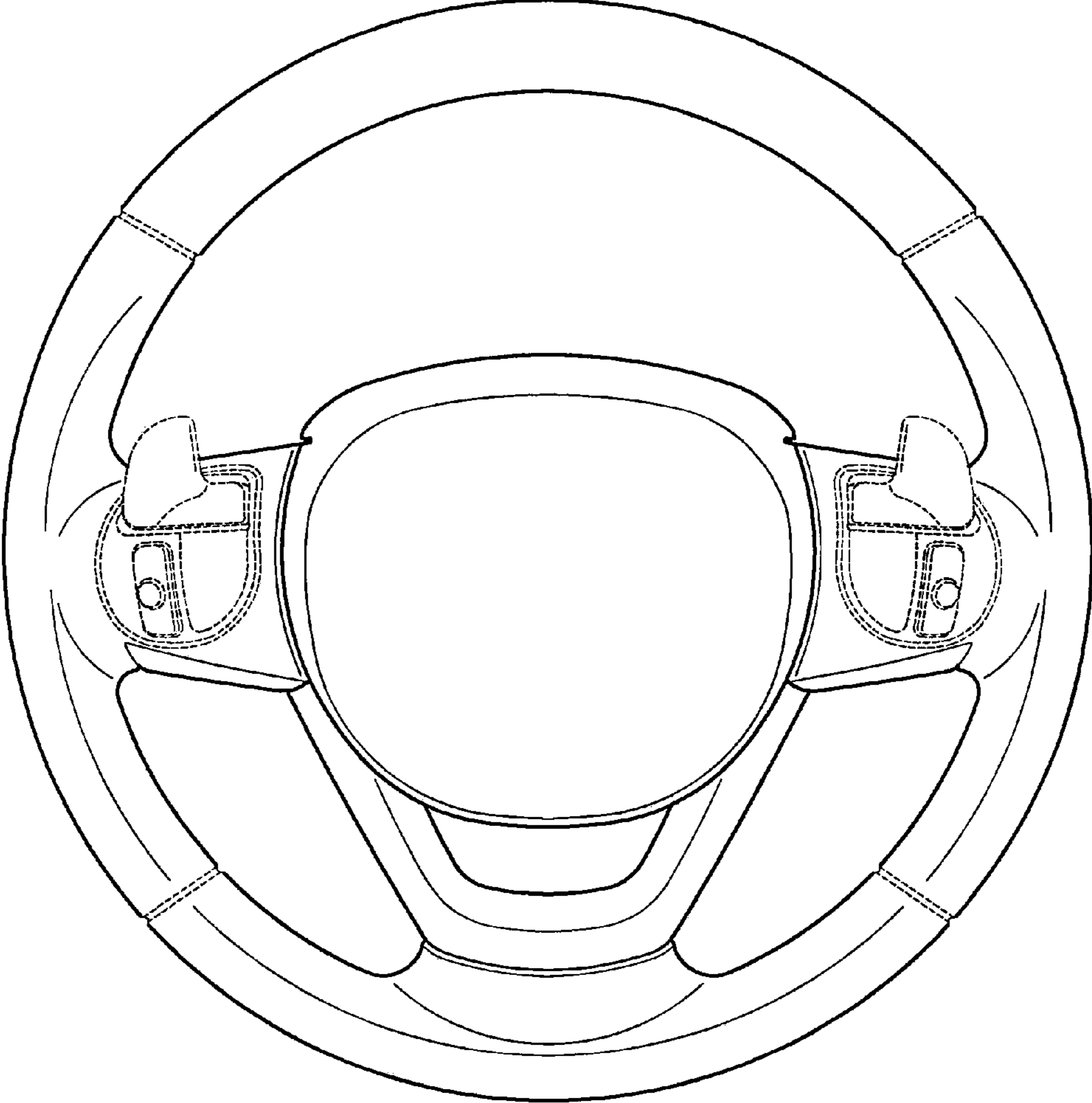


FIG. 4