



US00D710762S

(12) **United States Design Patent**
Mays et al.

(10) **Patent No.:** **US D710,762 S**

(45) **Date of Patent:** **** Aug. 12, 2014**

(54) **VEHICLE EXTERIOR**

(71) Applicant: **Ford Motor Company**, Dearborn, MI (US)

(72) Inventors: **J. C. Mays**, Bloomfield Hills, MI (US); **Moray S. Callum**, Ann Arbor, MI (US); **Joel Piaskowski**, Brighton (AU); **Darrell Paul Behmer**, Novi, MI (US); **Kemal Curic**, West Bloomfield, MI (US); **Garen Nicoghosian**, Bloomfield Hills, MI (US); **Mark Kaski**, Royal Oak, MI (US); **Ehab N. Kaoud**, Canton, MI (US)

(73) Assignee: **Ford Motor Company**, Dearborn, MI (US)

(**) Term: **14 Years**

(21) Appl. No.: **29/469,983**

(22) Filed: **Oct. 16, 2013**

(51) **LOC (10) Cl.** **12-08**

(52) **U.S. Cl.**
USPC **D12/92**

(58) **Field of Classification Search**
USPC D12/86, 90, 91, 92, 98; D21/424, 433, D21/434; 296/37.6, 181.1, 181.5, 183.1
See application file for complete search history.

(56) **References Cited**

U.S. PATENT DOCUMENTS

D412,299 S *	7/1999	Shikado	D12/92
6,322,124 B1 *	11/2001	Kim	296/30
D539,191 S *	3/2007	Castiglione et al.	D12/92
D552,514 S *	10/2007	Castiglione et al.	D12/92
D570,252 S *	6/2008	Peters et al.	D12/92

D583,711 S *	12/2008	Elmitt	D12/92
D594,783 S *	6/2009	McCoy et al.	D12/92
D603,755 S *	11/2009	Peters	D12/92
D620,398 S *	7/2010	Abdallah	D12/92
D658,547 S *	5/2012	Abdallah	D12/92
D684,899 S *	6/2013	Baker	D12/92
D685,293 S *	7/2013	Badstuebner et al.	D12/92
2009/0243342 A1 *	10/2009	Christensen et al.	296/193.08

OTHER PUBLICATIONS

2013 Mustang. Ford Go Further., May 21, 2012 [online], [retrieved on Feb. 17, 2014]. Retrieved from the Internet <URL: http://www.auto-brochures.com/makes/Ford/Mustang/Ford_US%20Mustang_2013.pdf>.*

14 Mustang. Ford Go Further., May 19, 2013 [online], [retrieved on Feb. 17, 2014]. Retrieved from the Internet <URL: http://www.auto-brochures.com/makes/Ford/Mustang/Ford_US%20Mustang_2014.pdf>.*

* cited by examiner

Primary Examiner — Philip S Hyder

Assistant Examiner — Darlington Ly

(74) *Attorney, Agent, or Firm* — Damian Porcari

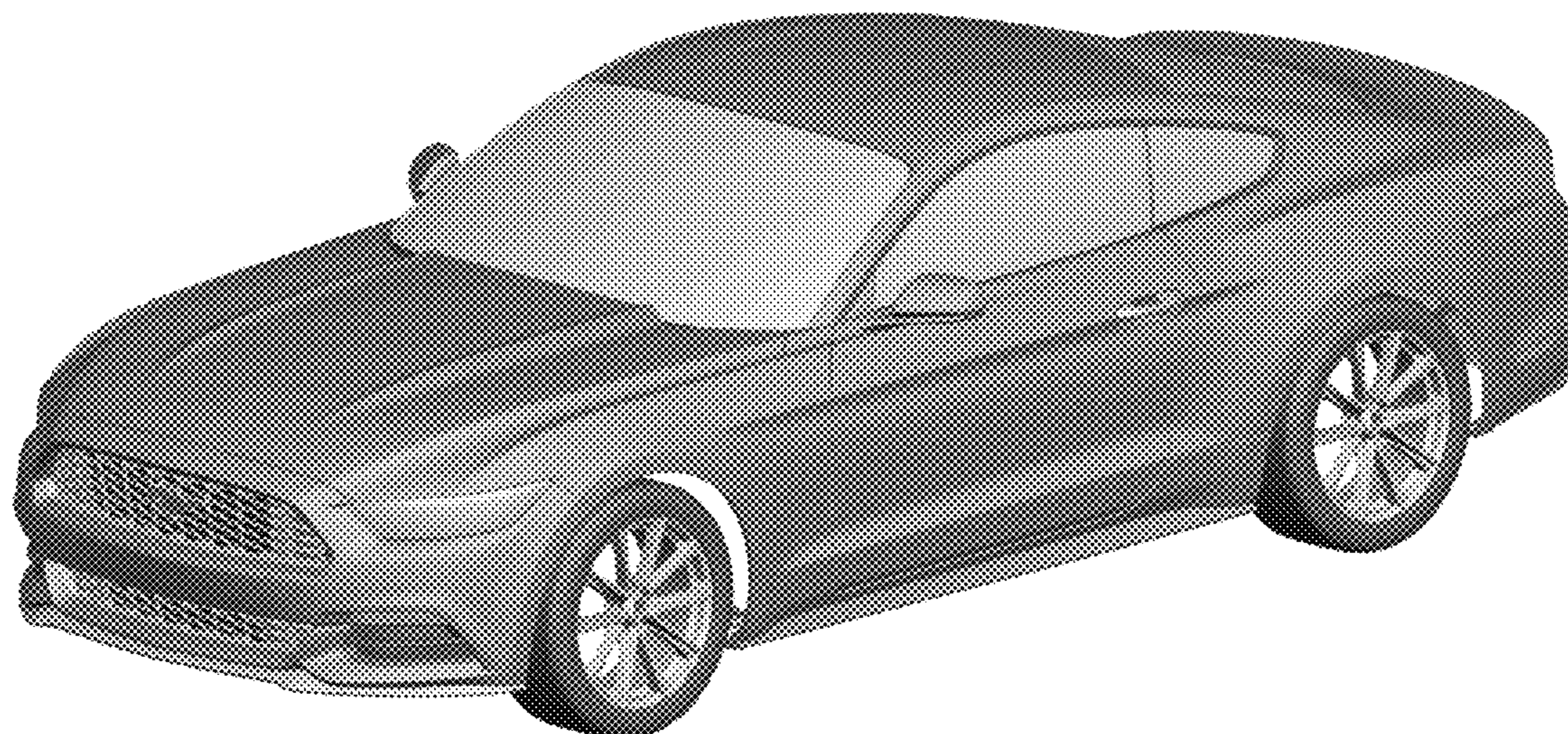
(57) **CLAIM**

The ornamental design for a vehicle exterior, as shown and described.

DESCRIPTION

FIG. 1 is a top plan view of a vehicle exterior;
FIG. 2 is a front elevation view thereof;
FIG. 3 is a rear elevation view thereof;
FIG. 4 is a left-side elevation view thereof;
FIG. 5 is a right-side elevation view thereof;
FIG. 6 is a front and left-side perspective view thereof; and,
FIG. 7 is a rear and left-side perspective view thereof.

1 Claim, 7 Drawing Sheets



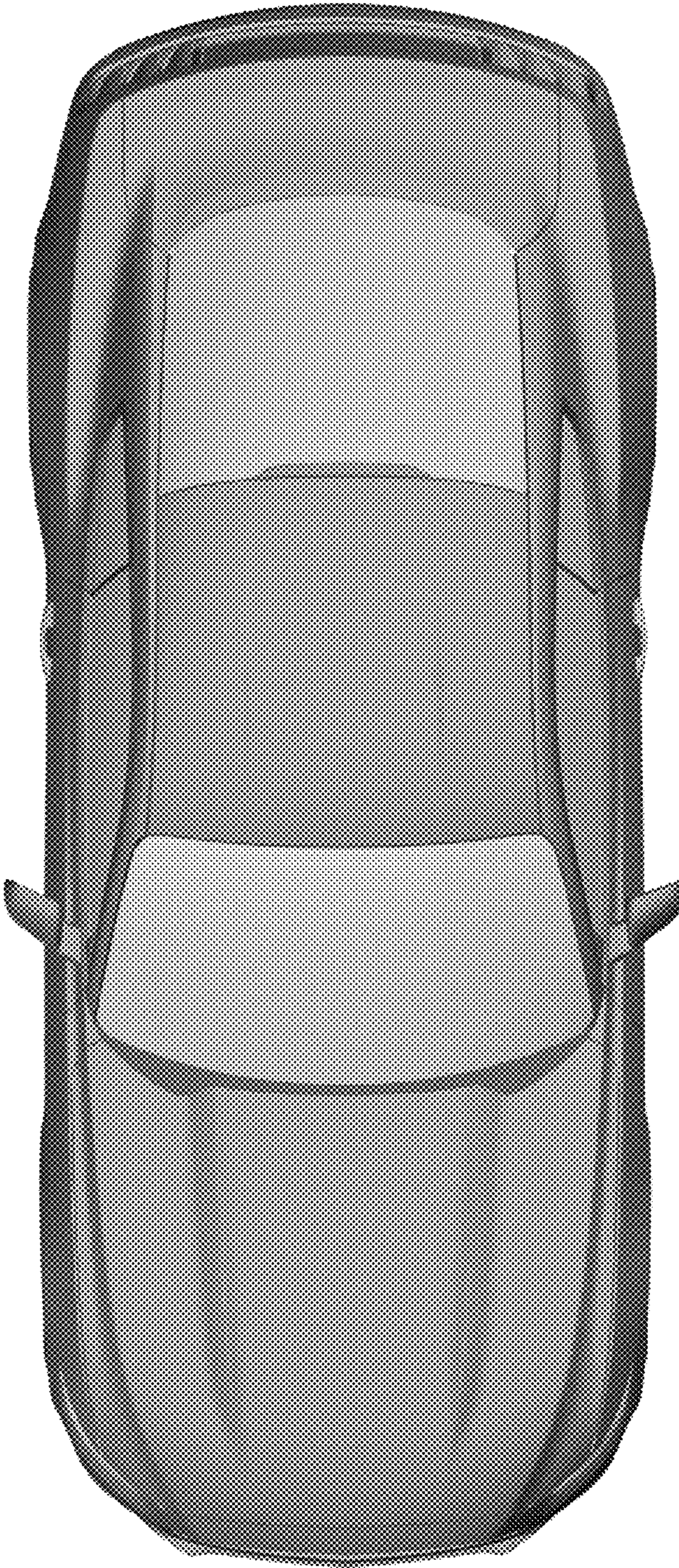


Figure 1

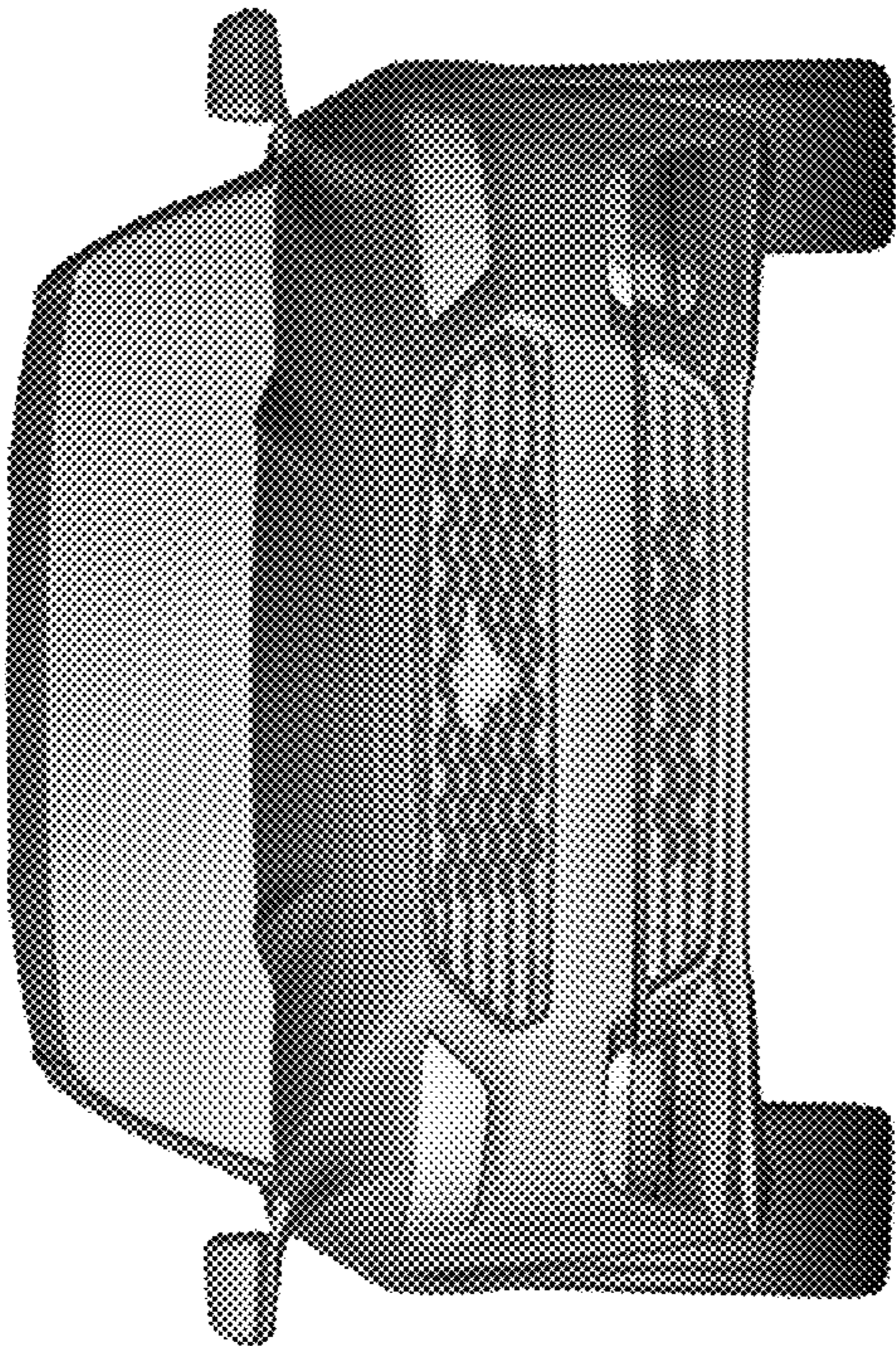


Figure 2



Figure 3

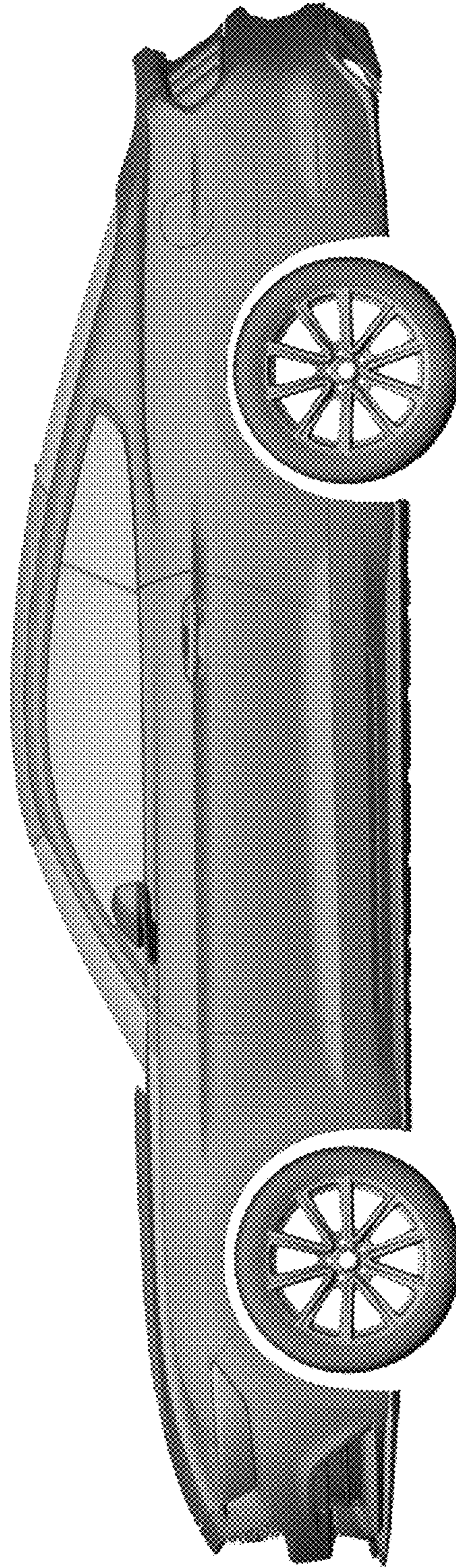


Figure 4

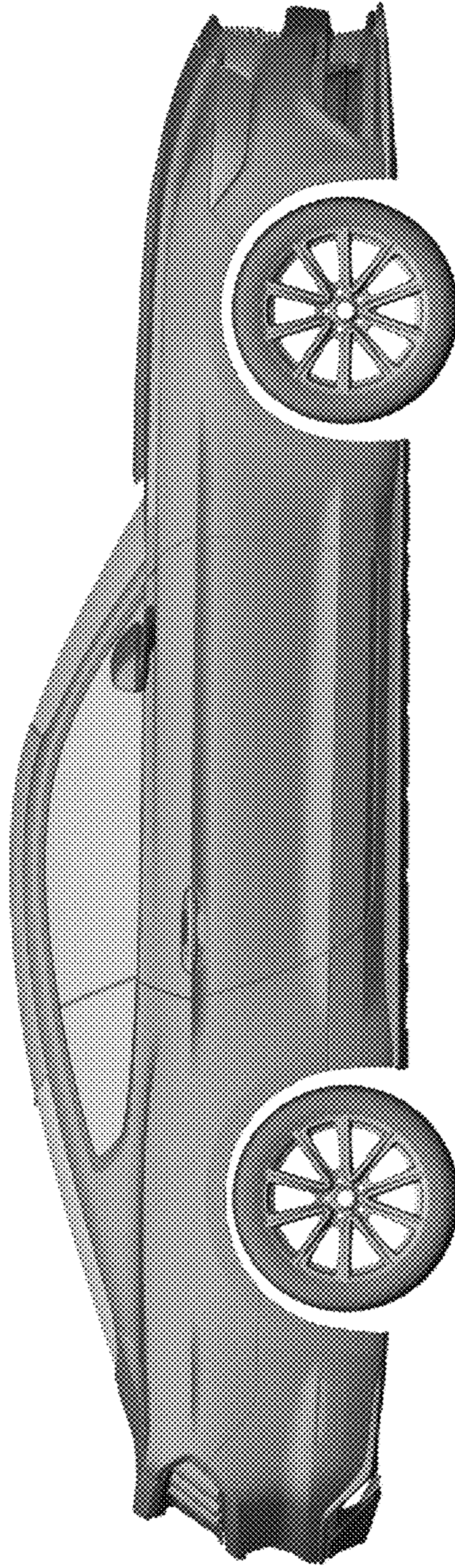


Figure 5

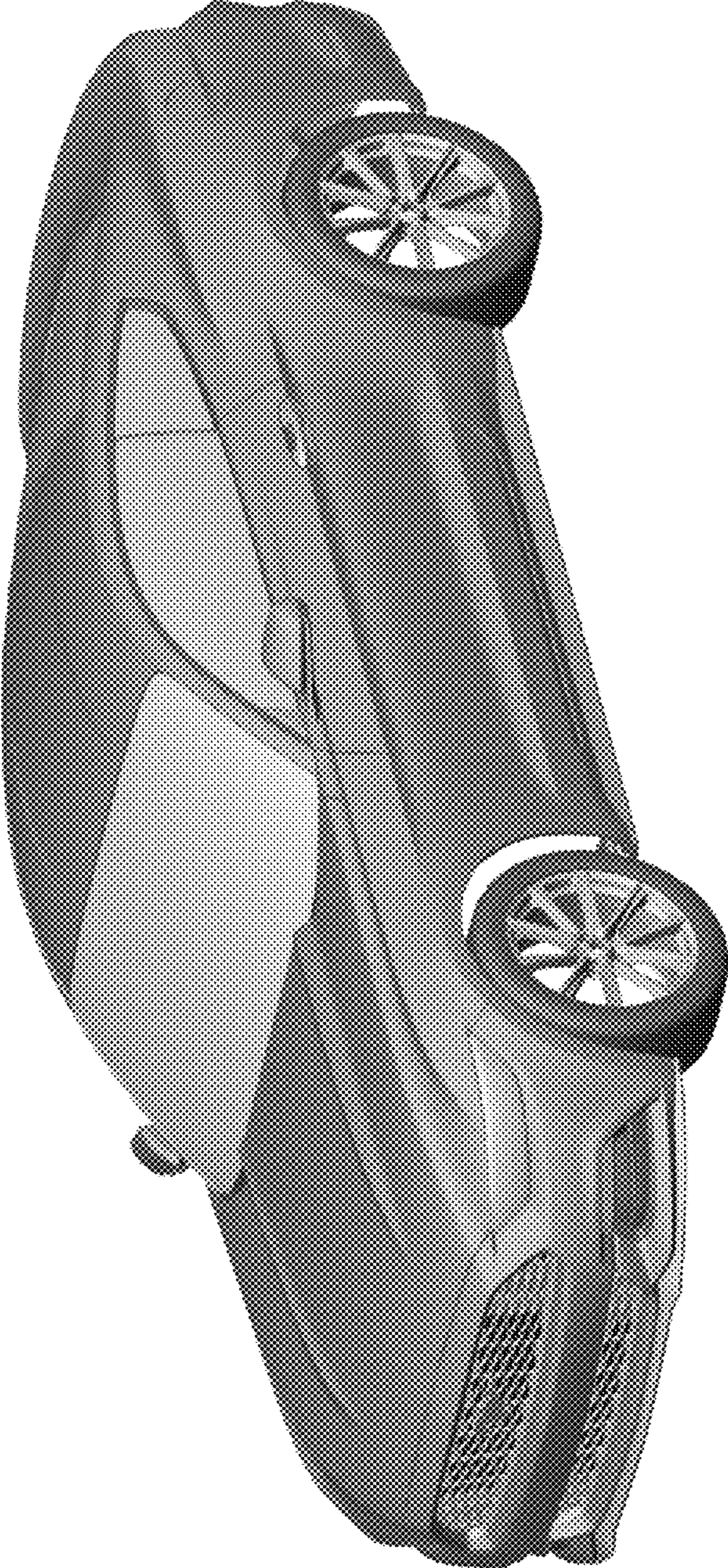


Figure 6



Figure 7

UNITED STATES PATENT AND TRADEMARK OFFICE
CERTIFICATE OF CORRECTION

PATENT NO. : D710,762 S
APPLICATION NO. : 29/469983
DATED : August 12, 2014
INVENTOR(S) : Mays et al.

Page 1 of 1

It is certified that error appears in the above-identified patent and that said Letters Patent is hereby corrected as shown below:

On the title page item [72], insert

--Tyler J. Blake, Rancho Santa Margarita, CA--

Signed and Sealed this
Twelfth Day of July, 2016



Michelle K. Lee
Director of the United States Patent and Trademark Office