



US00D710754S

(12) **United States Design Patent**
Pier et al.

(10) **Patent No.:** **US D710,754 S**

(45) **Date of Patent:** **** Aug. 12, 2014**

(54) **RAIL FASTENER HOLDER**

6,640,406 B2 * 11/2003 Wilson 29/243.56

(71) Applicant: **Nordco Inc.**, Oak Creek, WI (US)

* cited by examiner

(72) Inventors: **Michael Thomas Pier**, Fox Point, WI (US); **Daniel Edward Van Ert**, Franklin, WI (US); **Justin Jerome Pipol**, Union Grove, WI (US); **James William Boyd**, New Berlin, WI (US)

Primary Examiner — T. Chase Nelson

Assistant Examiner — Ania Aman

(74) *Attorney, Agent, or Firm* — Greer, Burns & Crain, Ltd.

(73) Assignee: **Nordco Inc.**, Oak Creek, WI (US)

(57) **CLAIM**

(**) Term: **14 Years**

The ornamental design for a rail fastener holder, as shown and described.

(21) Appl. No.: **29/441,639**

(22) Filed: **Jan. 8, 2013**

(51) **LOC (10) Cl.** **12-03**

(52) **U.S. Cl.**
USPC **D12/51**

(58) **Field of Classification Search**
USPC 238/349, 310; D12/36-51; 198/400
See application file for complete search history.

DESCRIPTION

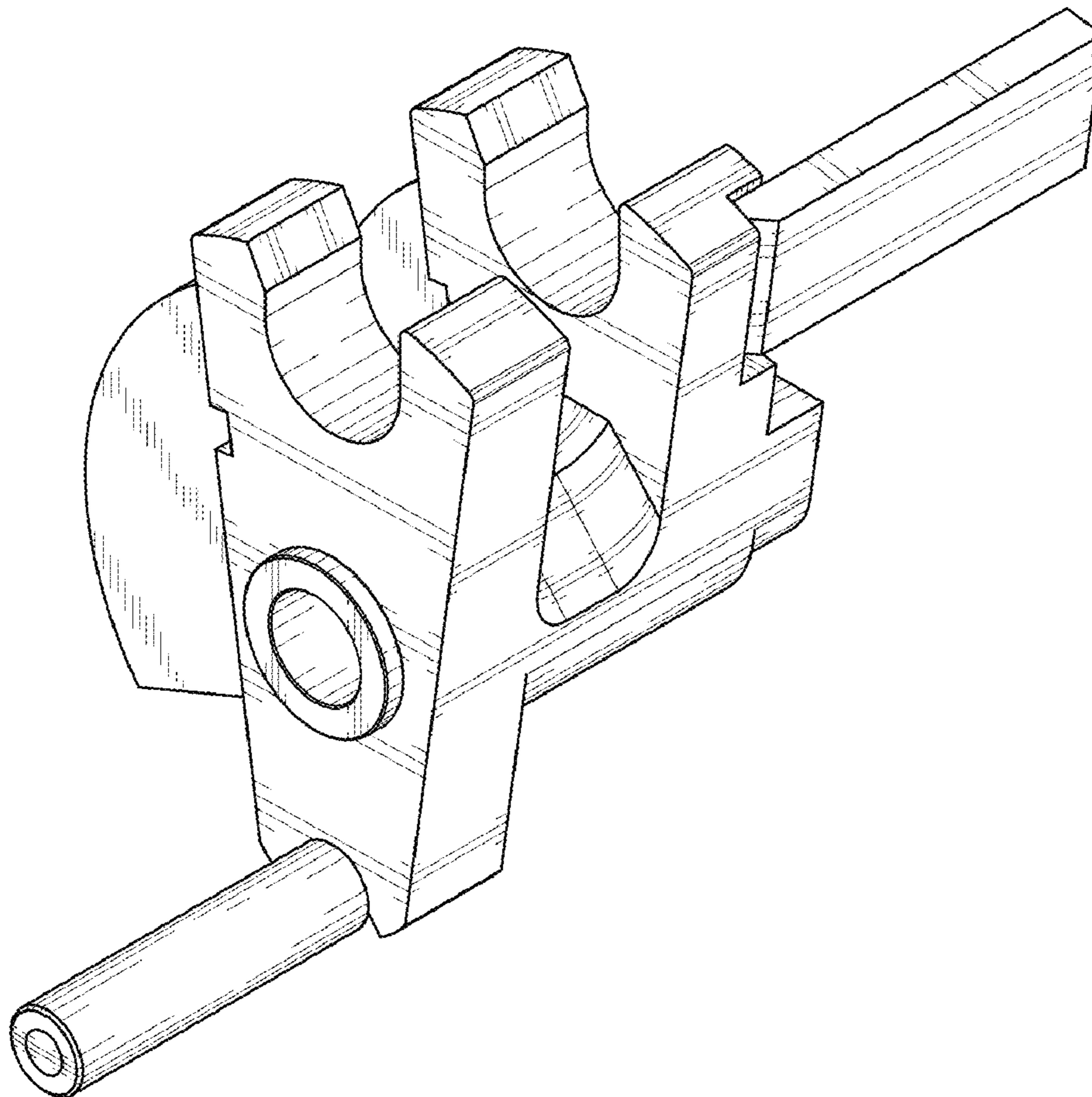
FIG. 1 is a top perspective view of the present rail fastener holder;
FIG. 2 is a front view of same;
FIG. 3 is a rear view of the holder of FIG. 1;
FIG. 4 is a left side view of same;
FIG. 5 is a right side view of the holder of FIG. 1;
FIG. 6 is a top view of same; and,
FIG. 7 is a bottom view of same.

(56) **References Cited**

U.S. PATENT DOCUMENTS

5,165,346 A * 11/1992 Piekarski 104/17.2

1 Claim, 7 Drawing Sheets



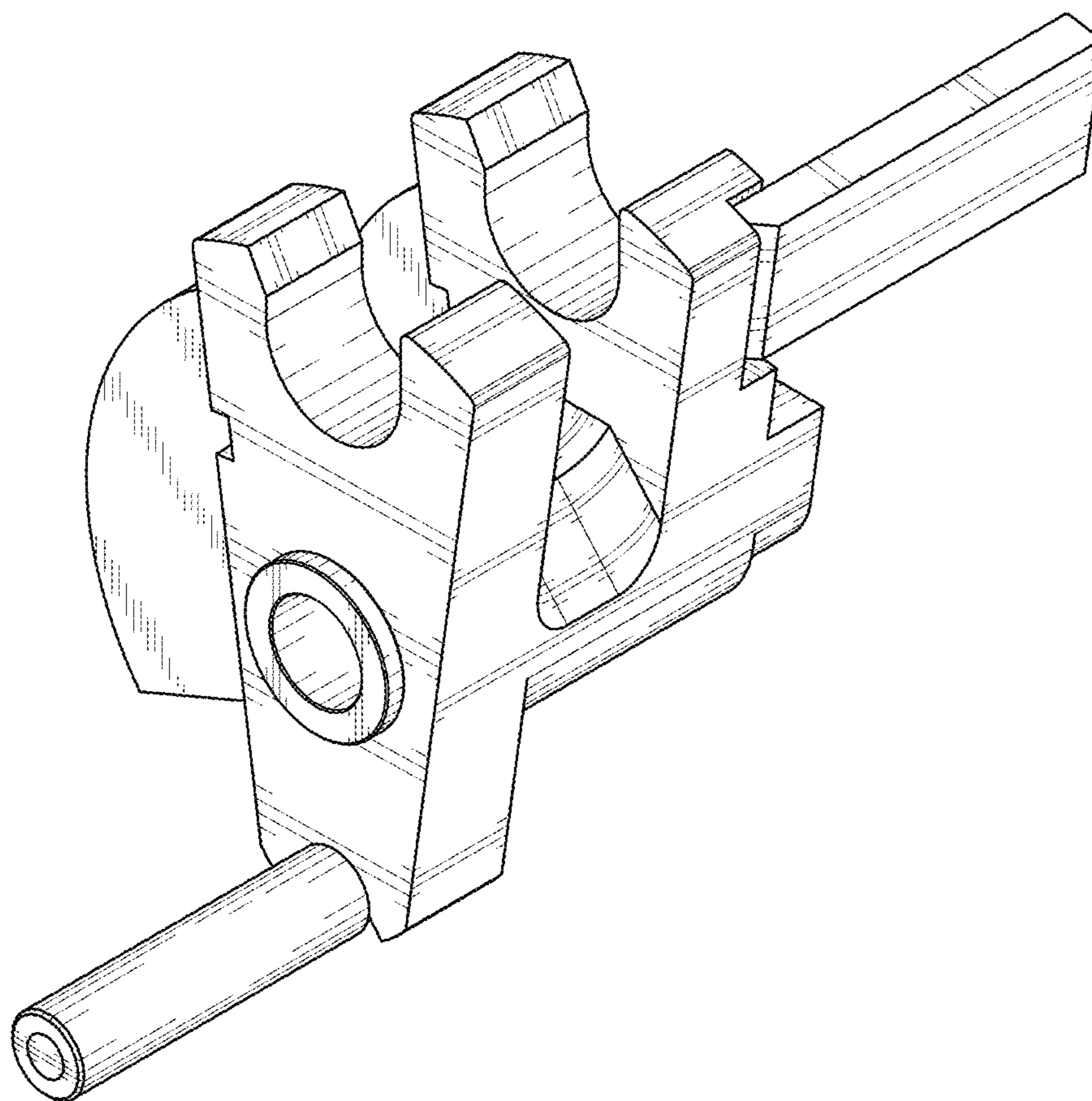


FIG. 1

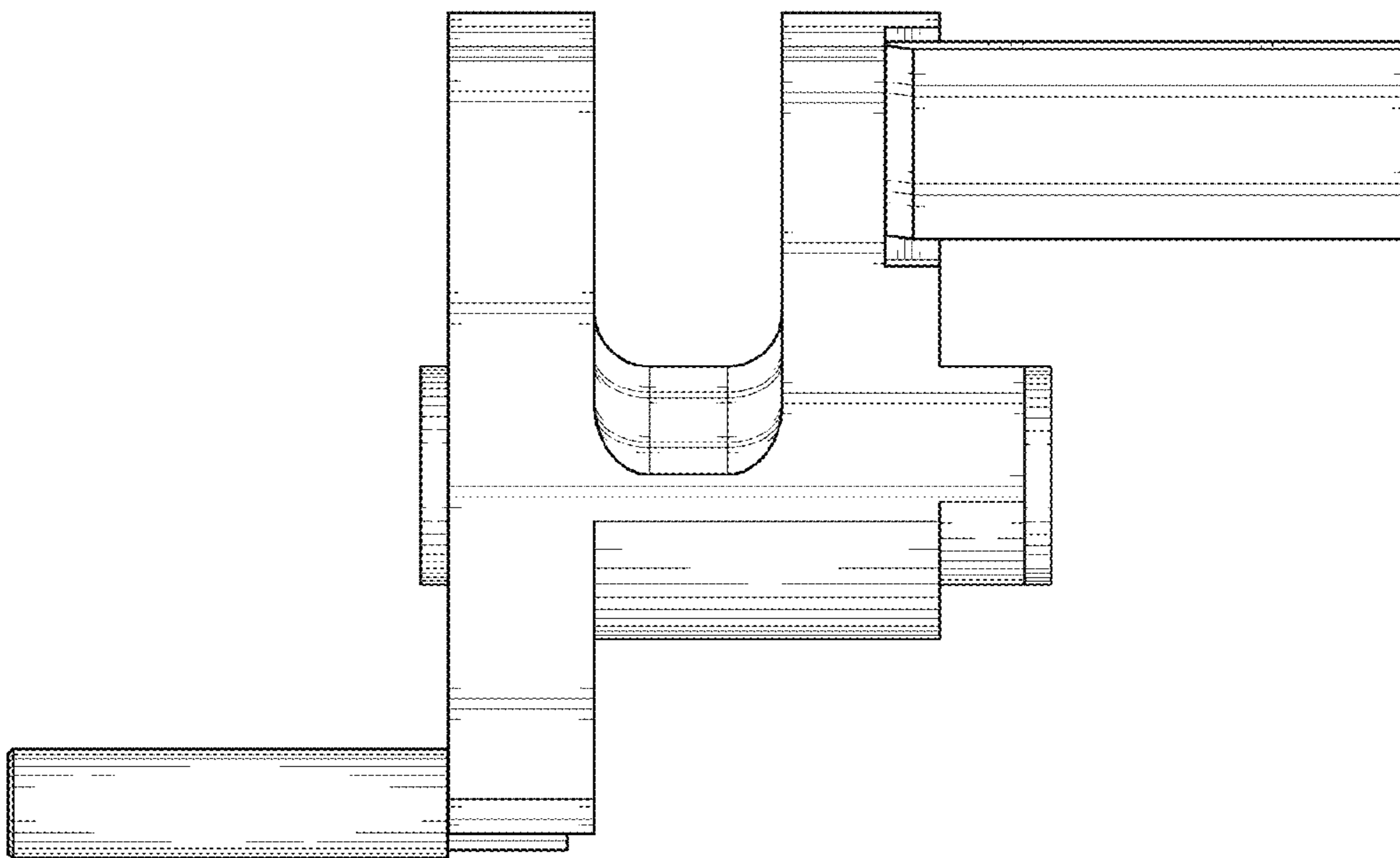


FIG. 2

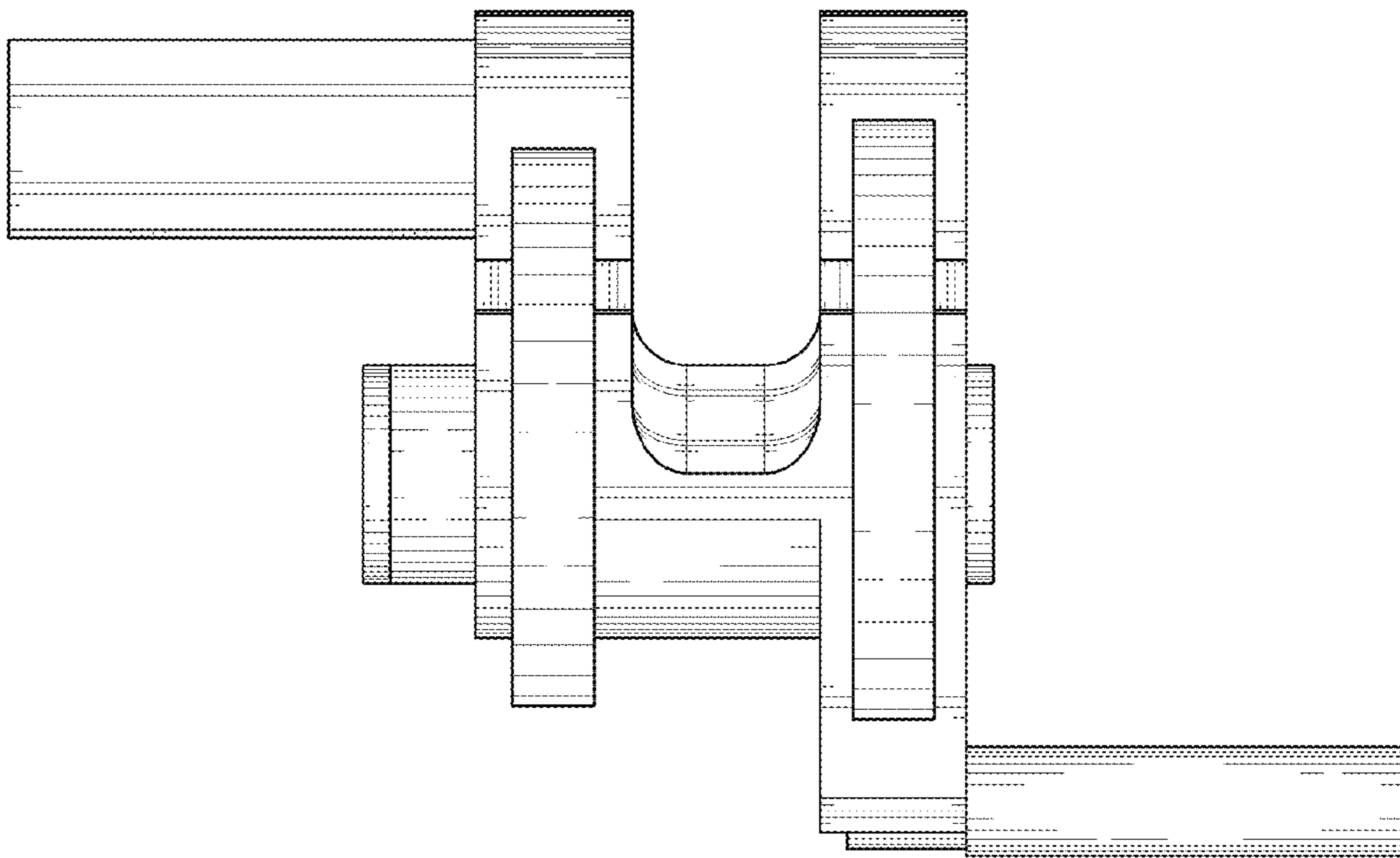


FIG. 3

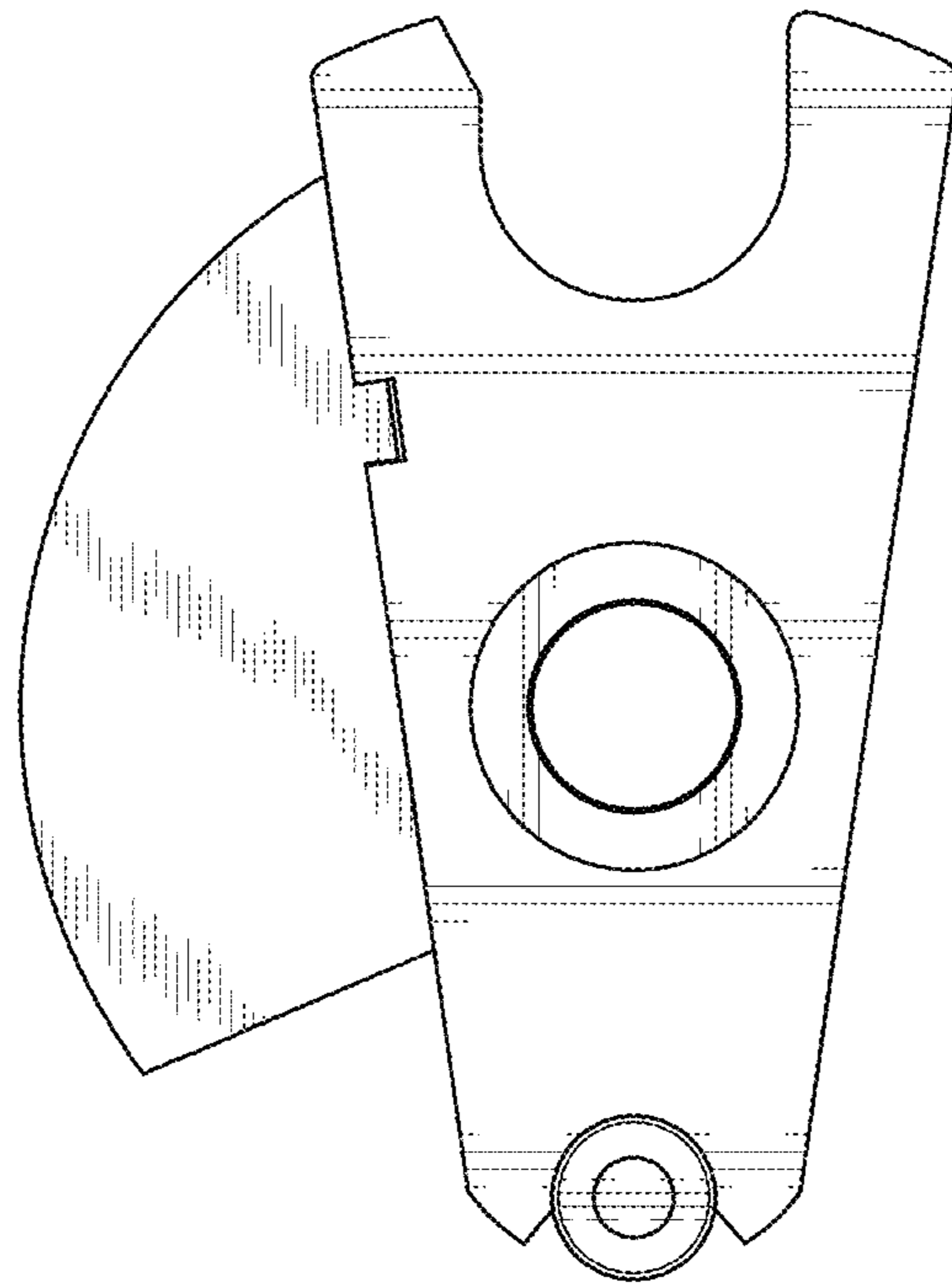


FIG. 4

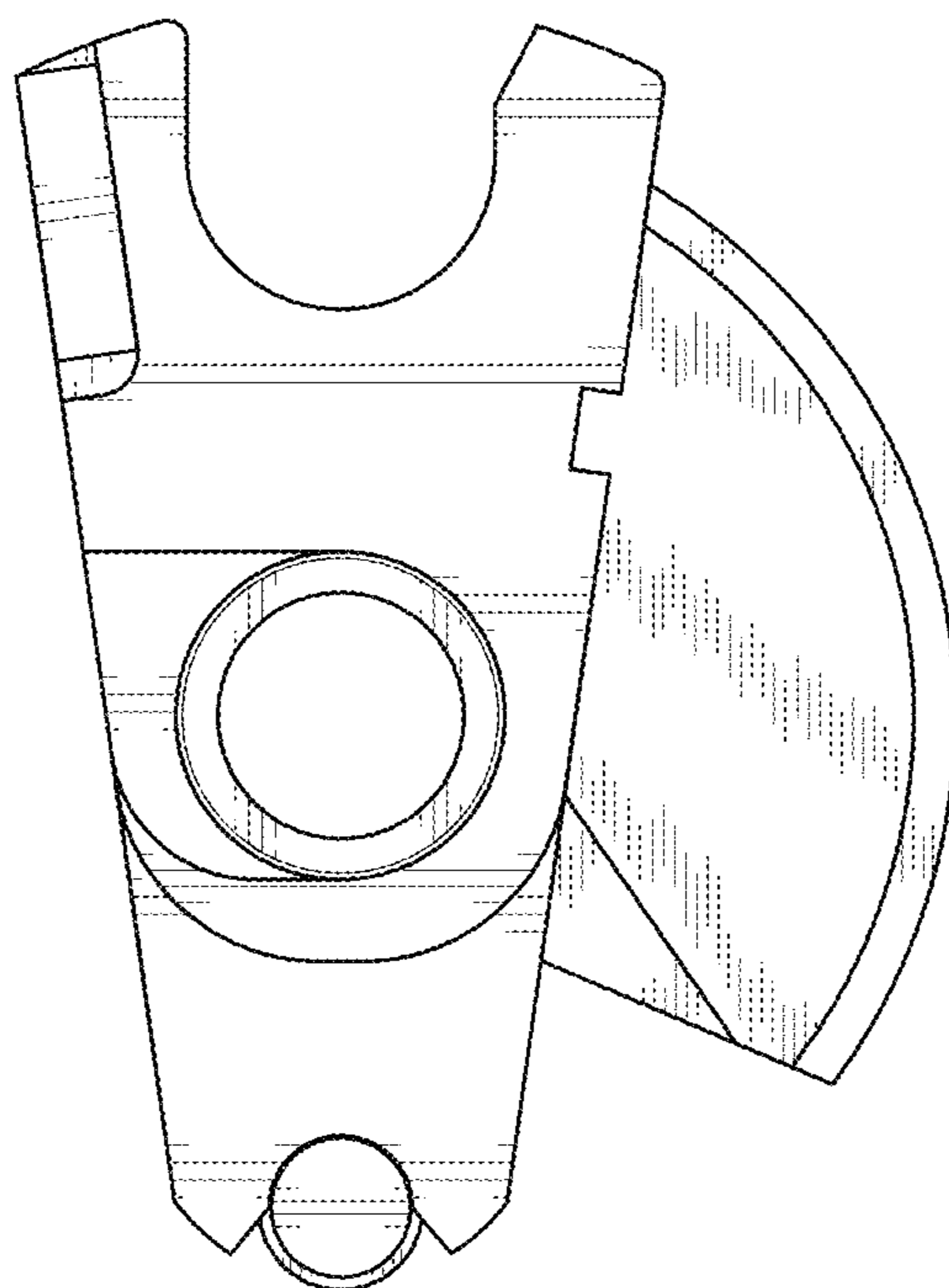


FIG. 5

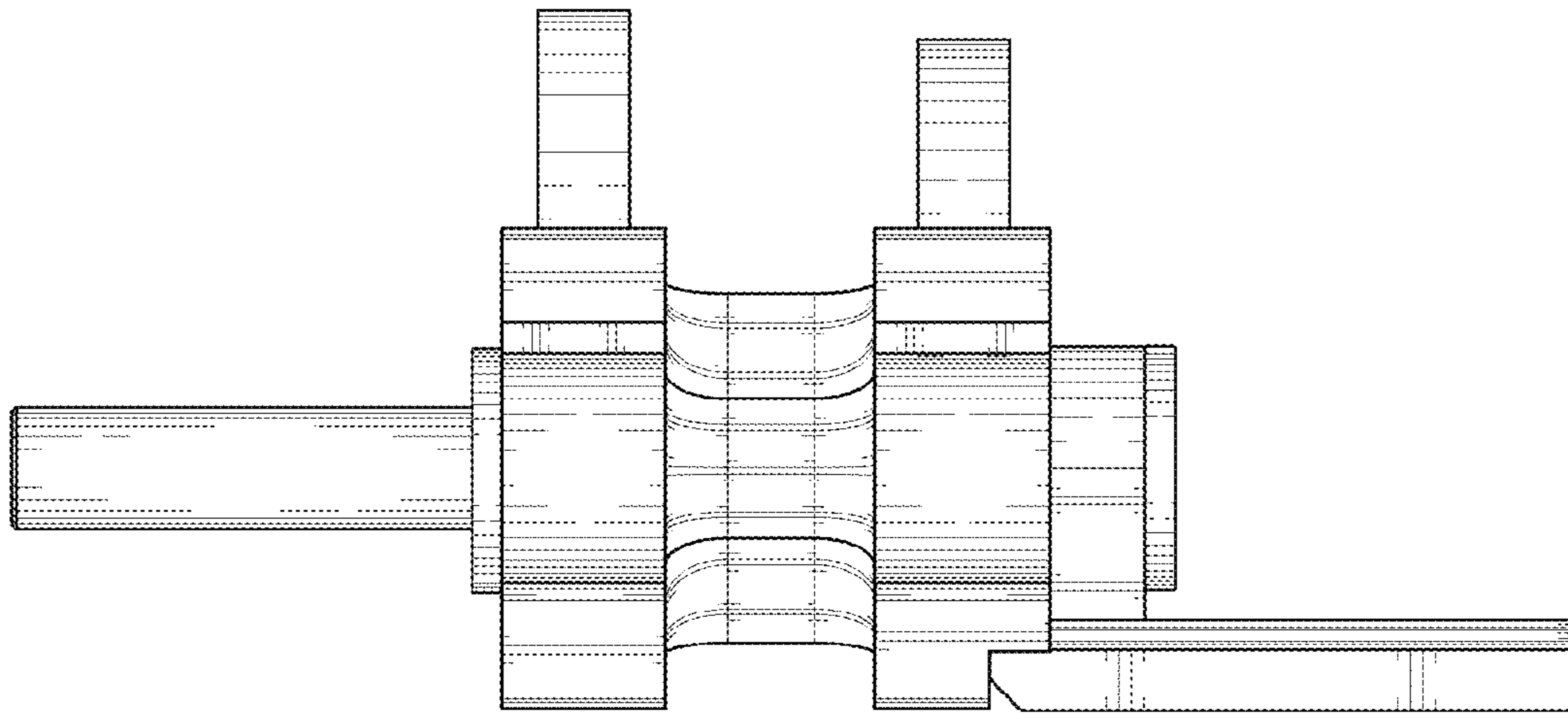


FIG. 6

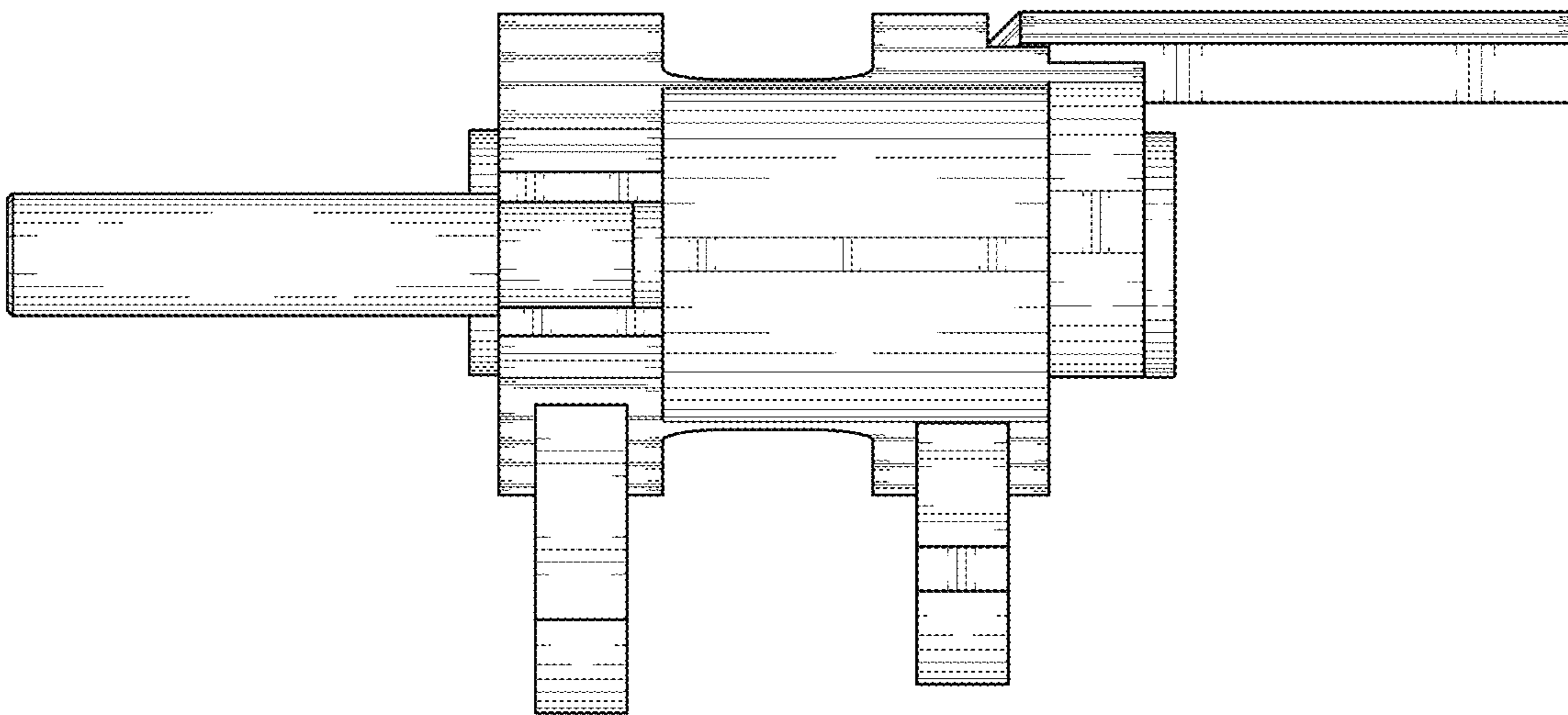


FIG. 7