



US00D710753S

(12) **United States Design Patent**  
**Pier et al.**

(10) **Patent No.:** **US D710,753 S**

(45) **Date of Patent:** **\*\* Aug. 12, 2014**

(54) **RAIL FASTENER HOLDER**

(56) **References Cited**

(71) Applicant: **Nordco Inc.**, Oak Creek, WI (US)

U.S. PATENT DOCUMENTS

(72) Inventors: **Michael Thomas Pier**, Fox Point, WI (US); **Daniel Edward Van Ert**, Franklin, WI (US); **Justin Jerome Pipol**, Union Grove, WI (US); **James William Boyd**, New Berlin, WI (US)

5,165,346 A \* 11/1992 Piekarski ..... 104/17.2  
6,640,406 B2 \* 11/2003 Wilson ..... 29/243.56

\* cited by examiner

(73) Assignee: **Nordco Inc.**, Oak Creek, WI (US)

*Primary Examiner* — T. Chase Nelson

*Assistant Examiner* — Ania Aman

(74) *Attorney, Agent, or Firm* — Greer, Burns & Crain, Ltd.

(\*\*) Term: **14 Years**

(57) **CLAIM**

The ornamental design for a rail fastener holder, as shown and described.

(21) Appl. No.: **29/441,637**

**DESCRIPTION**

(22) Filed: **Jan. 8, 2013**

FIG. 1 is a top perspective view of the present rail fastener holder;

FIG. 2 is a rear view of same;

(51) **LOC (10) Cl.** ..... **12-03**

FIG. 3 is a front view of the holder of FIG. 1;

(52) **U.S. Cl.**

FIG. 4 is a left side view of same;

USPC ..... **D12/51**

FIG. 5 is a right side view of the holder of FIG. 1;

(58) **Field of Classification Search**

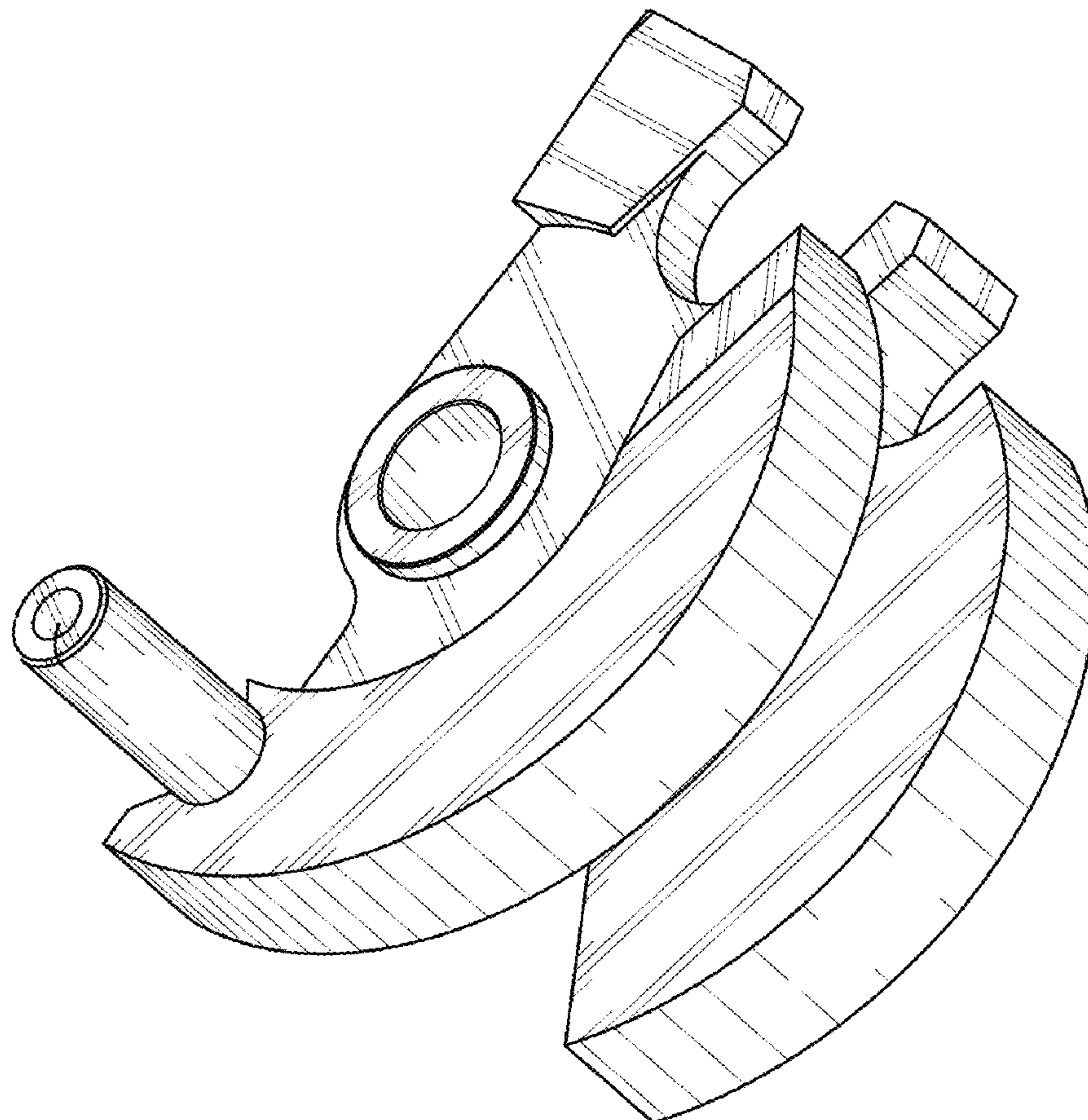
USPC ..... 238/349, 310; D12/36-51; 198/400

FIG. 6 is a top view of same; and,

See application file for complete search history.

FIG. 7 is a bottom view of same.

**1 Claim, 7 Drawing Sheets**



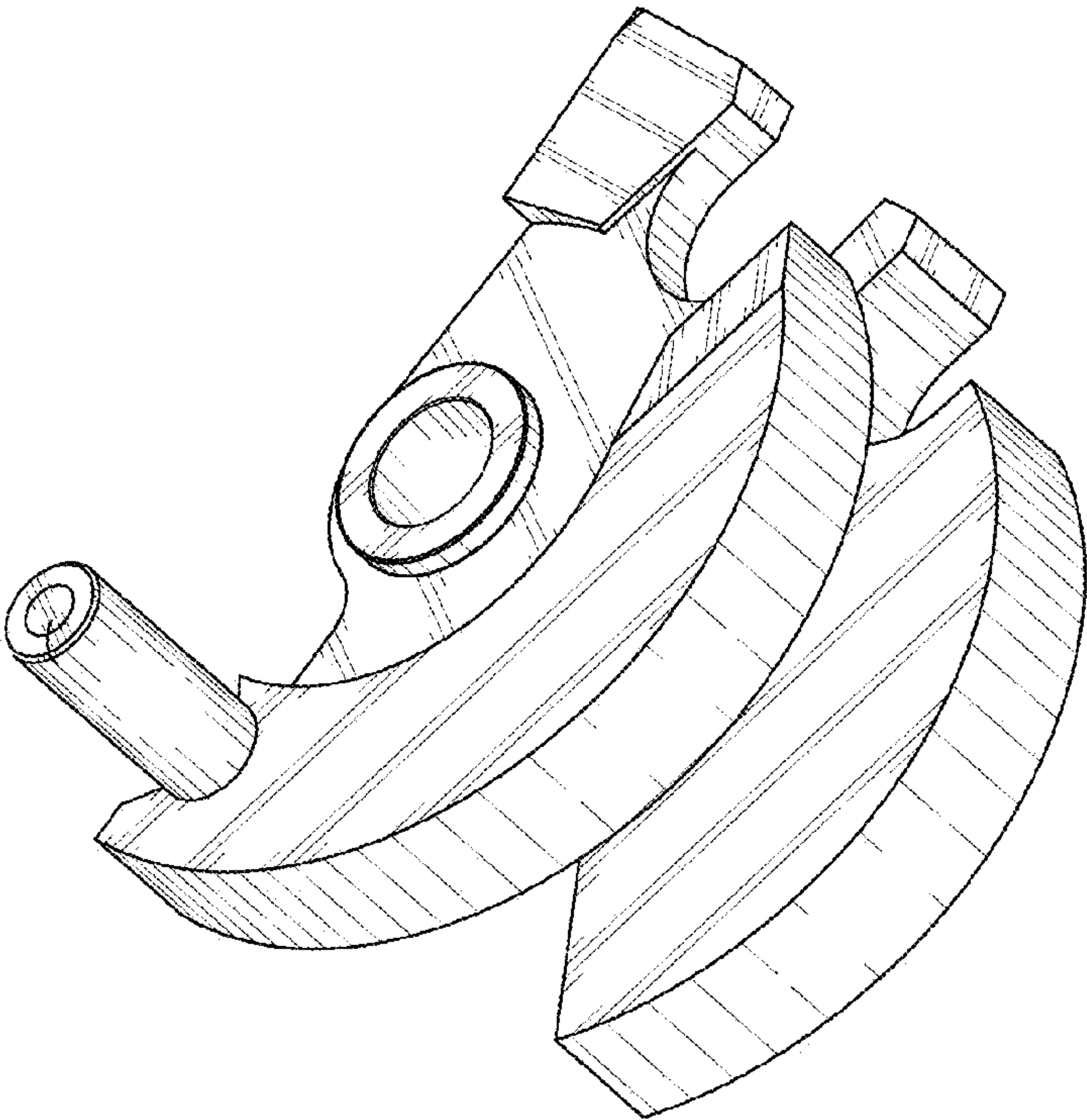


FIG. 1

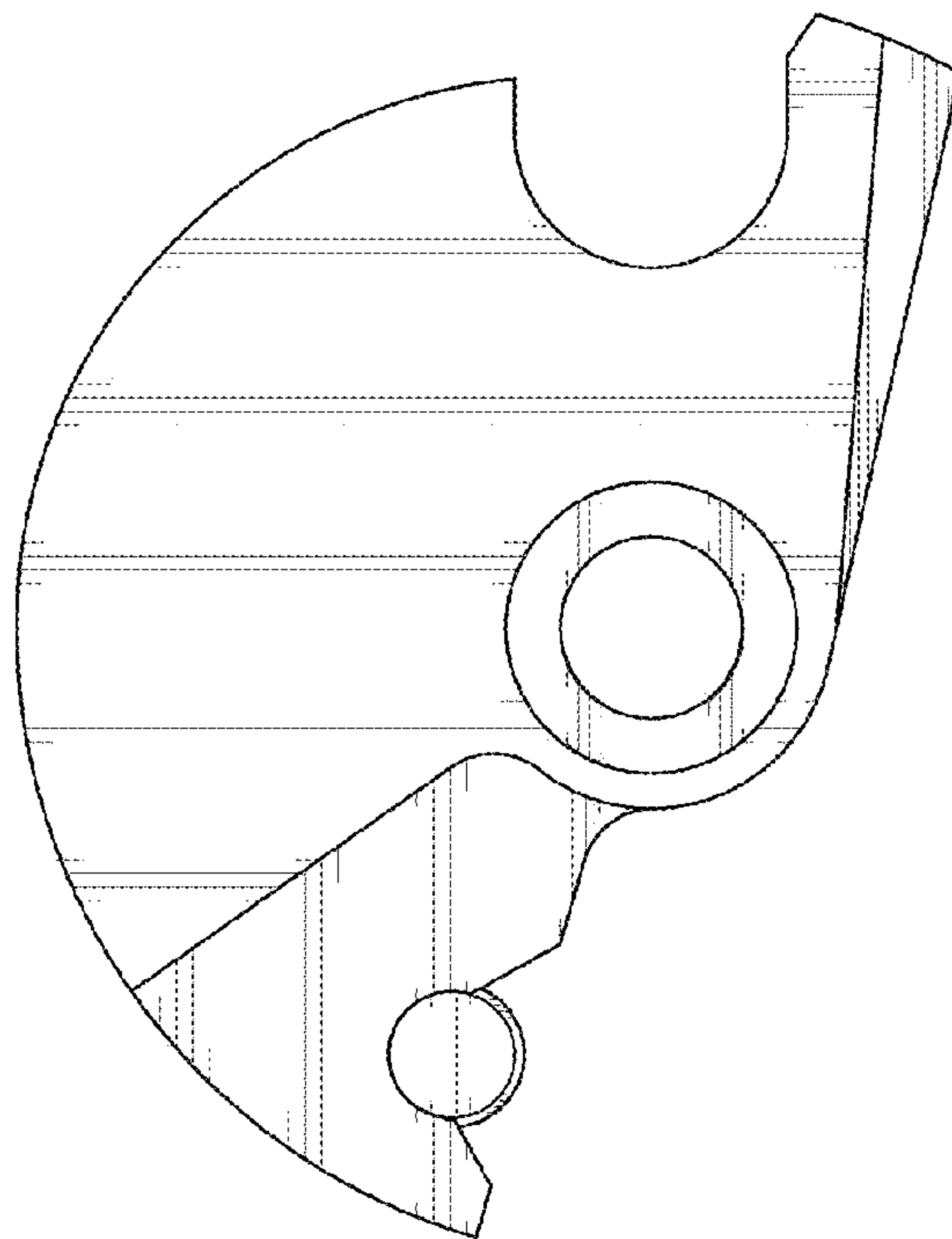


FIG. 2

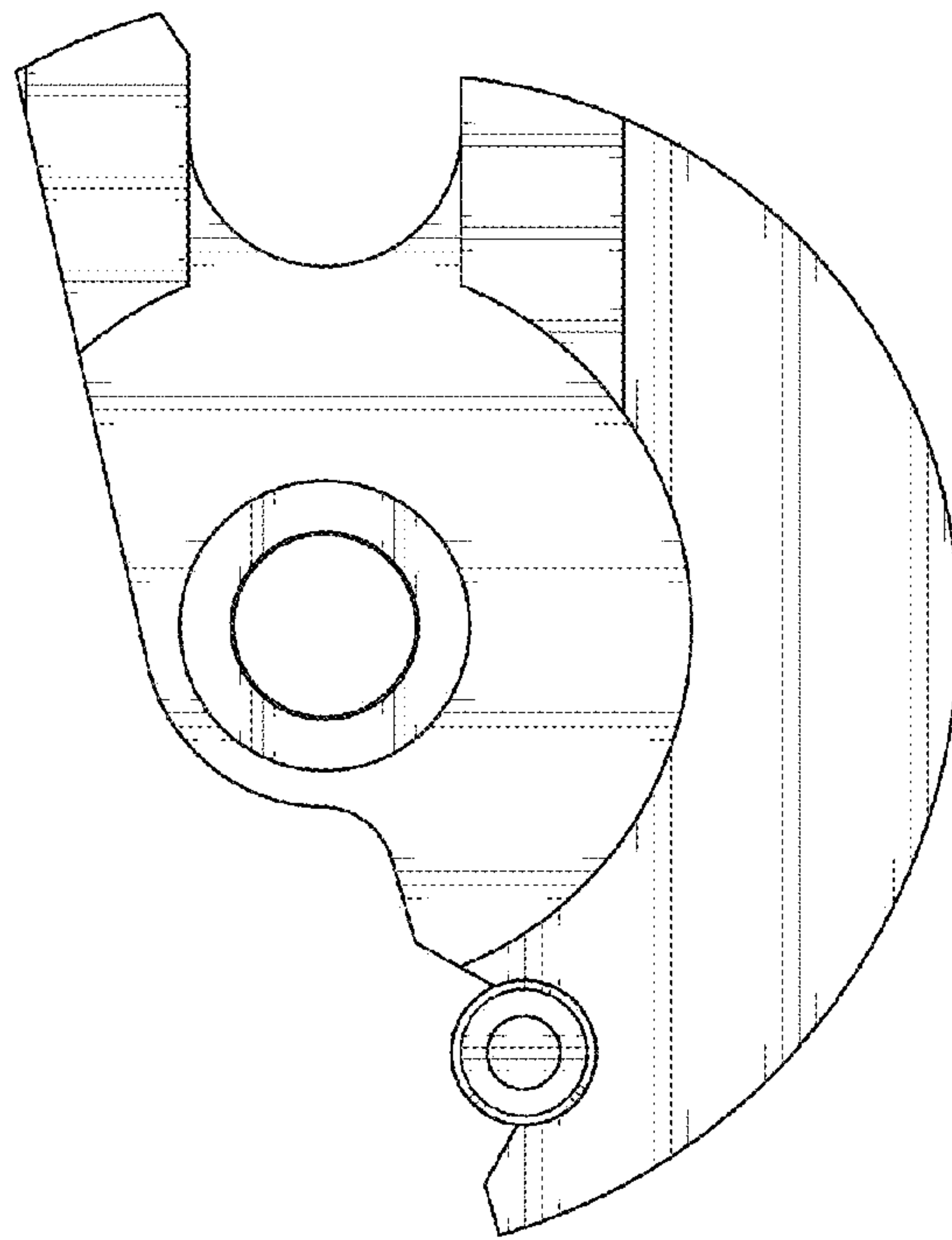


FIG. 3

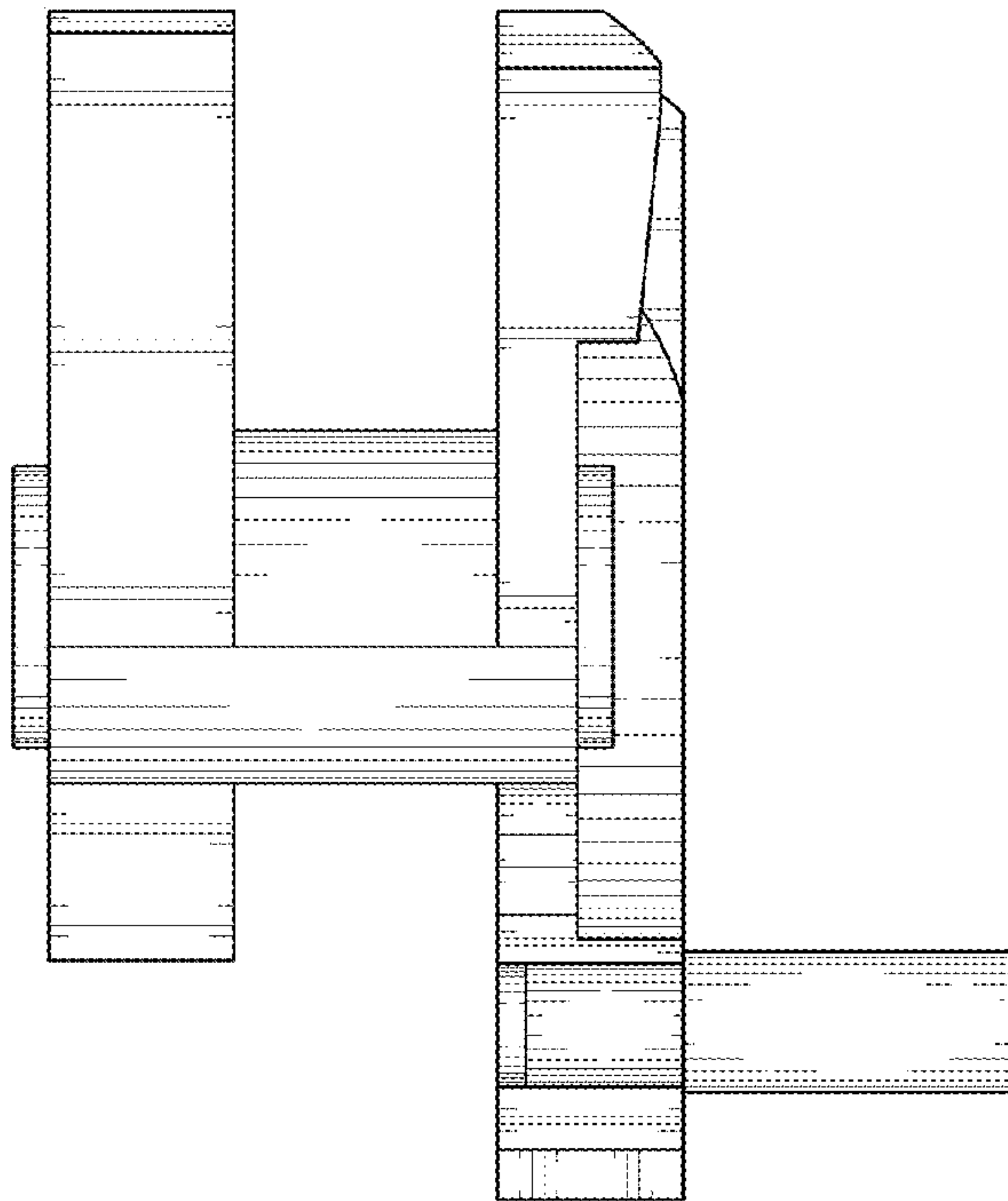


FIG. 4

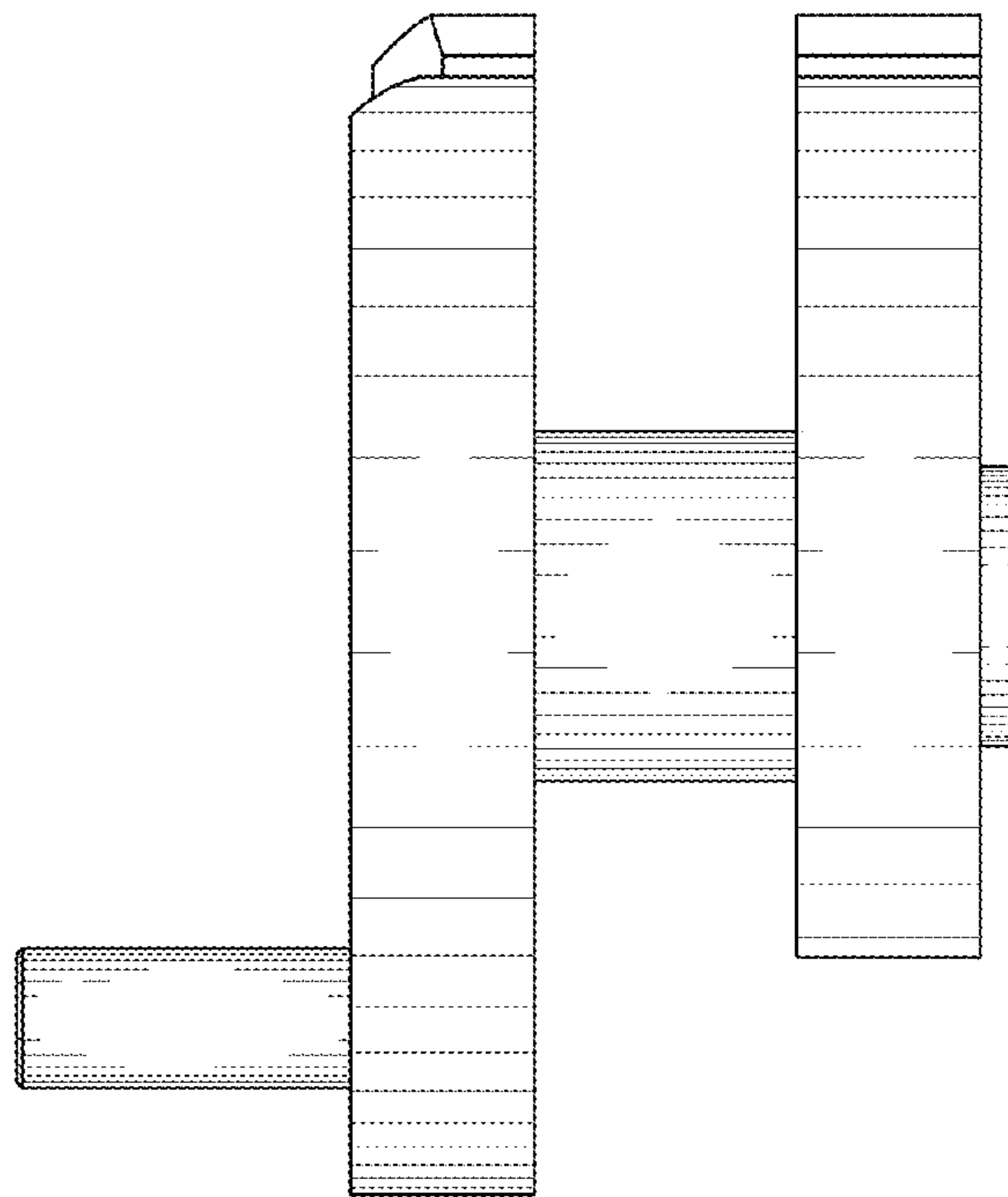


FIG. 5

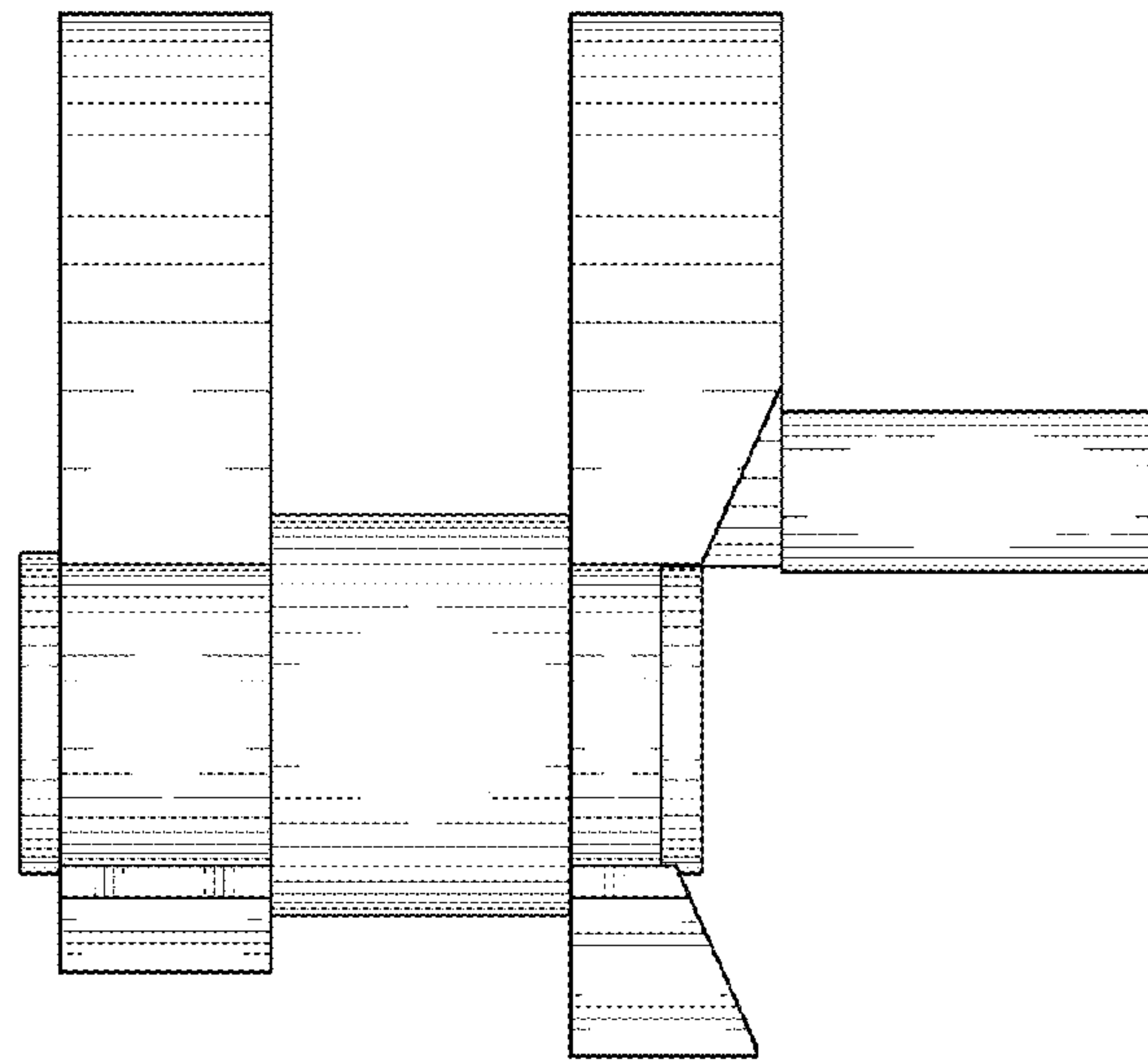


FIG. 6

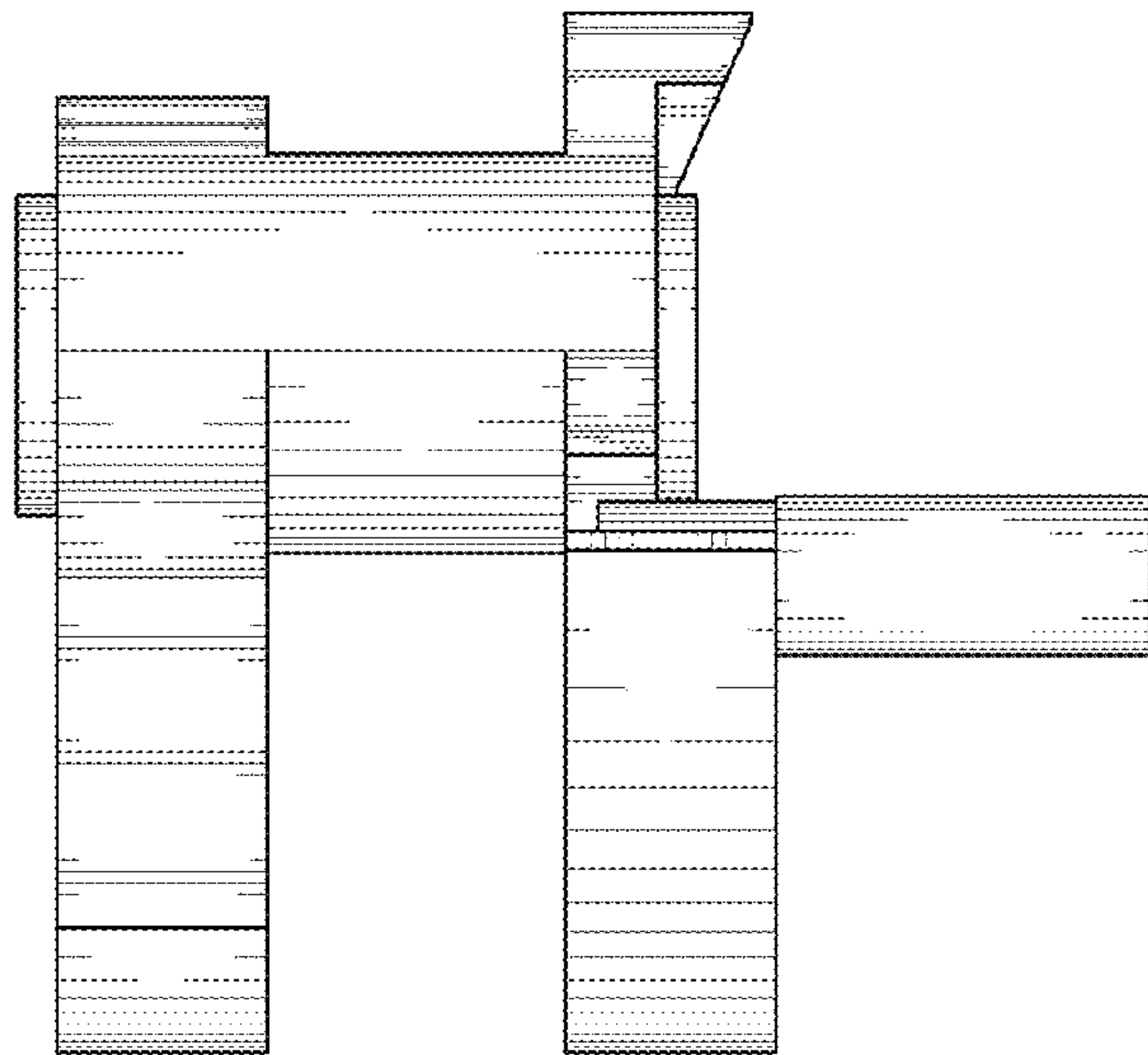


FIG. 7