



US00D710750S

(12) **United States Design Patent**
Takani et al.

(10) **Patent No.:** **US D710,750 S**
(45) **Date of Patent:** **** Aug. 12, 2014**

- (54) **SLIDER FOR SLIDE FASTENER**
- (71) Applicant: **YKK Corporation**, Tokyo (JP)
- (72) Inventors: **Go Takani**, Toyama (JP); **Aya Shigematsu**, Toyama (JP)
- (73) Assignee: **YKK Corporation** (JP)
- (**) Term: **14 Years**
- (21) Appl. No.: **29/478,731**

D627,259 S *	11/2010	Miyazaki et al.	D11/221
D644,957 S *	9/2011	Blackford et al.	D11/221
D644,958 S *	9/2011	Blackford et al.	D11/221
D691,512 S *	10/2013	Mio et al.	D11/221
D691,918 S *	10/2013	Mio et al.	D11/221

FOREIGN PATENT DOCUMENTS

JP	S-566844	12/1981
JP	S-1314702	11/2007
JP	S-1314704	11/2007
JP	S-1314705	11/2007

* cited by examiner

- (22) Filed: **Jan. 8, 2014**
- (30) **Foreign Application Priority Data**
- Jul. 9, 2013 (JP) 2013-015582
- (51) **LOC (10) Cl.** **02-07**
- (52) **U.S. Cl.**
- USPC **D11/221**
- (58) **Field of Classification Search**
- CPC A44B 19/00; A44B 19/02; A44B 19/04;
A44B 19/10; A44B 19/24; A44B 19/26;
A44B 19/30
- USPC D11/200, 201, 221; 24/381-383,
24/385-387, 414-417, 421-422, 427-431,
24/433, 424; 2/265; D2/641, 642; 294/3.6;
223/118
- See application file for complete search history.

Primary Examiner — Ralf Seifert

(74) *Attorney, Agent, or Firm* — Kilpatrick Townsend & Stockton LLP

(57) **CLAIM**

The ornamental design for a slider for slide fastener, as shown and described.

DESCRIPTION

FIG. 1 is a perspective view of the front, bottom and right side of a slider for slide fastener showing my new design;
 FIG. 2 is a front view thereof;
 FIG. 3 is a rear view thereof;
 FIG. 4 is a left side view thereof, the right side view being mirror image thereof;
 FIG. 5 is a top plan view thereof; and,
 FIG. 6 is a bottom view thereof.
 The broken lines shown are included for the purpose of illustrating the unclaimed portions of a slider for slide fastener and form no part of the claimed design.

- (56) **References Cited**
- U.S. PATENT DOCUMENTS
- D610,947 S 3/2010 Takazawa et al.
- D627,258 S 11/2010 Miyazaki et al.

1 Claim, 6 Drawing Sheets

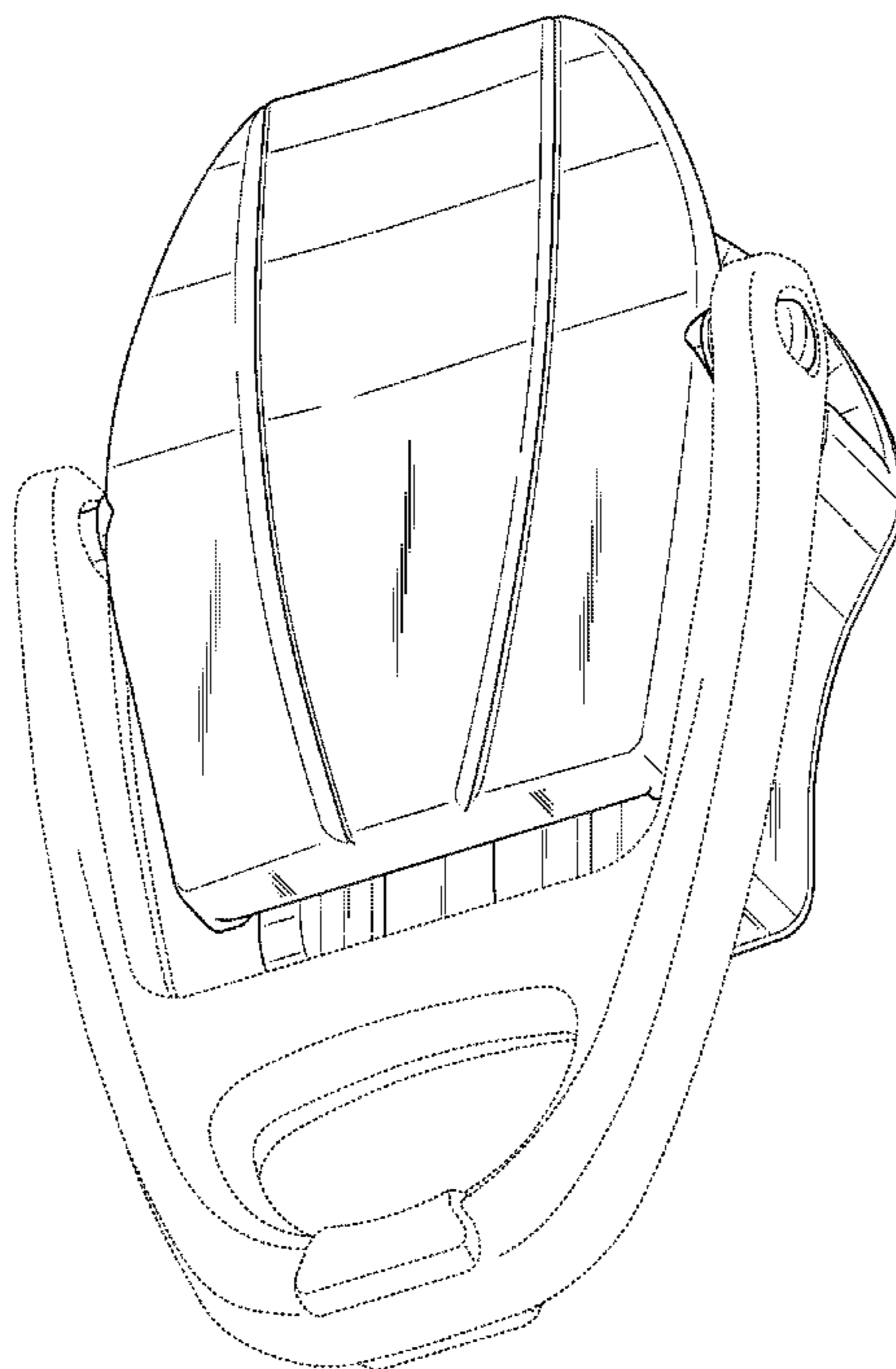


Fig. 1

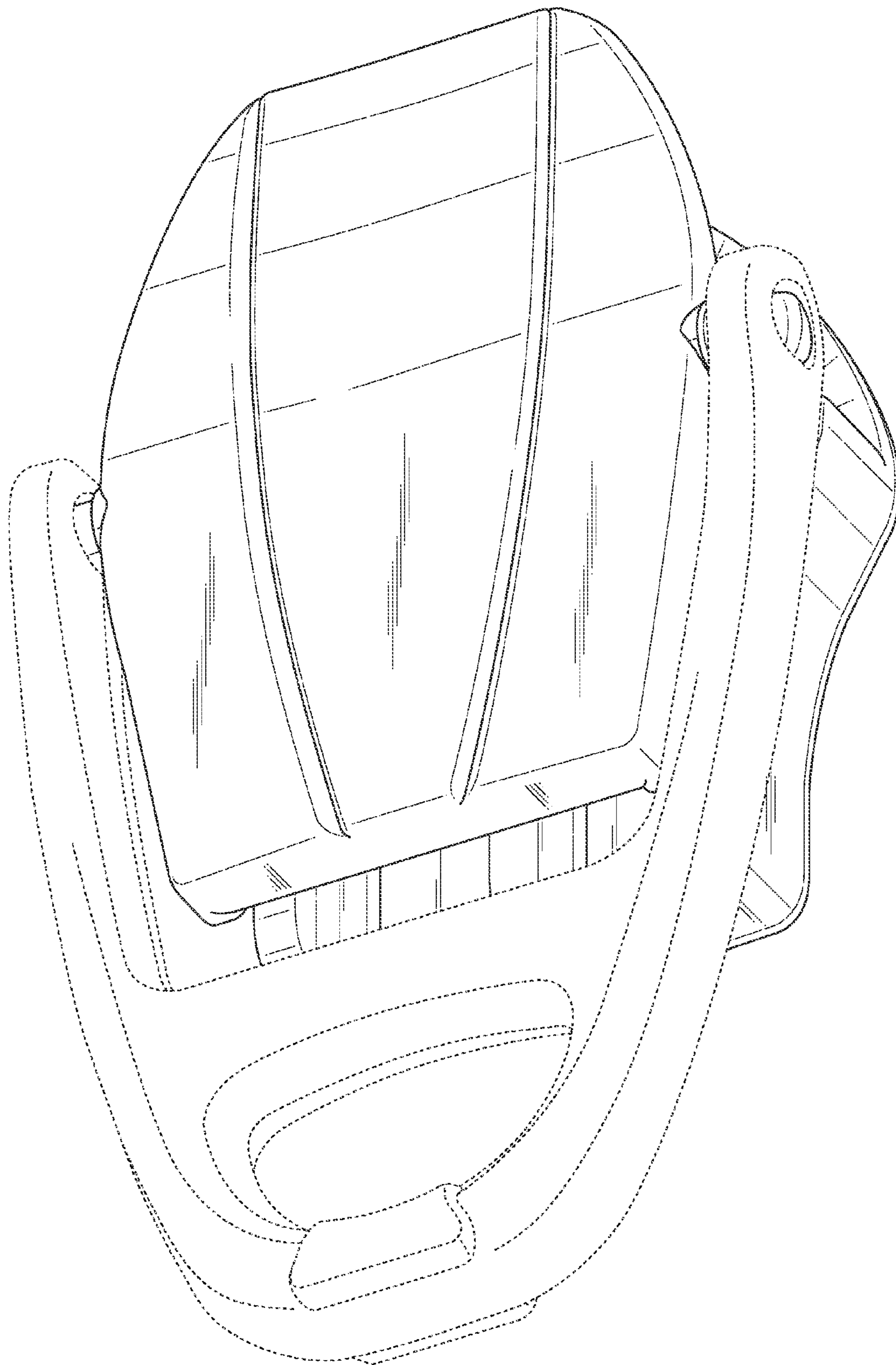


Fig. 2

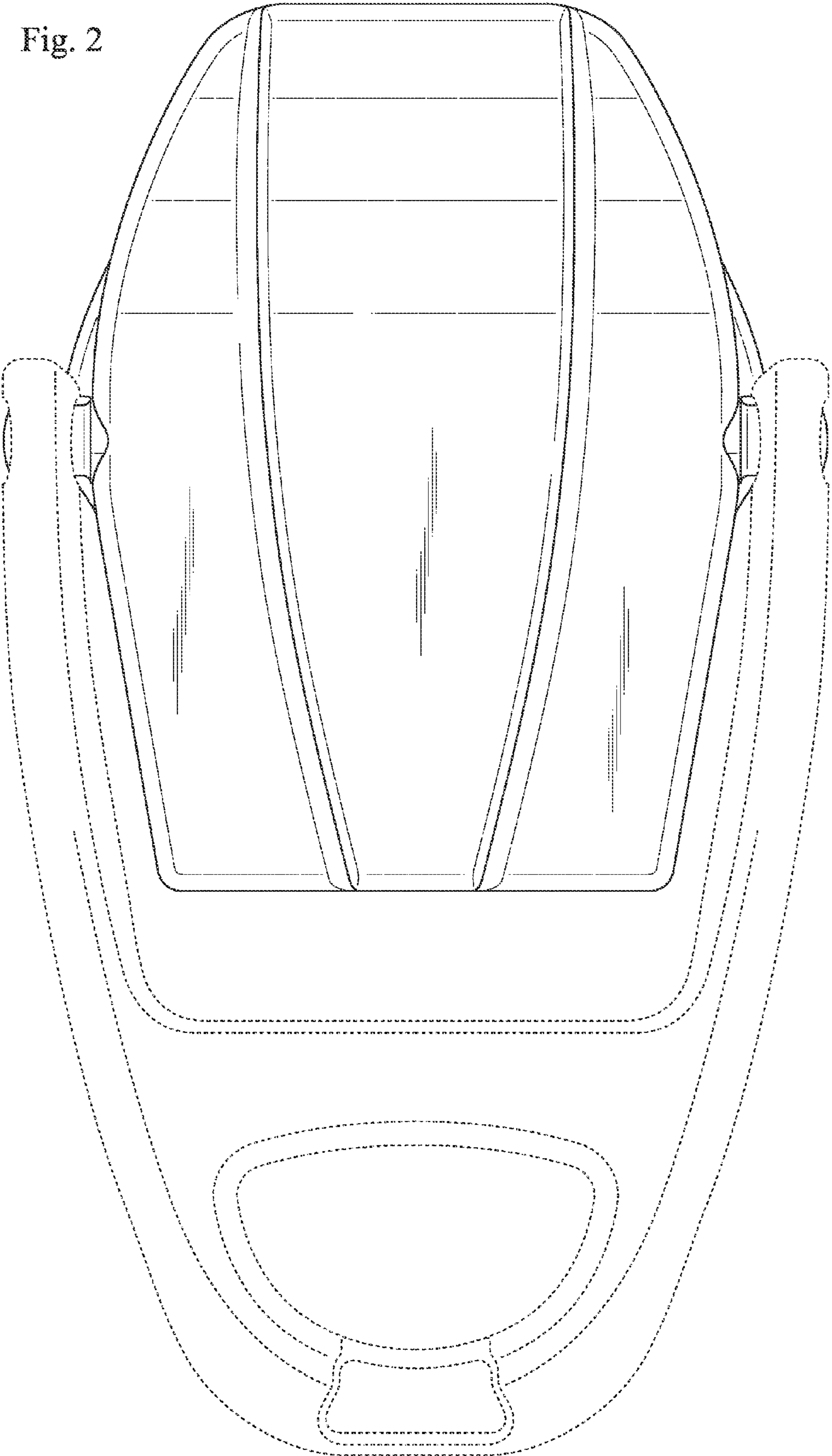


Fig. 3

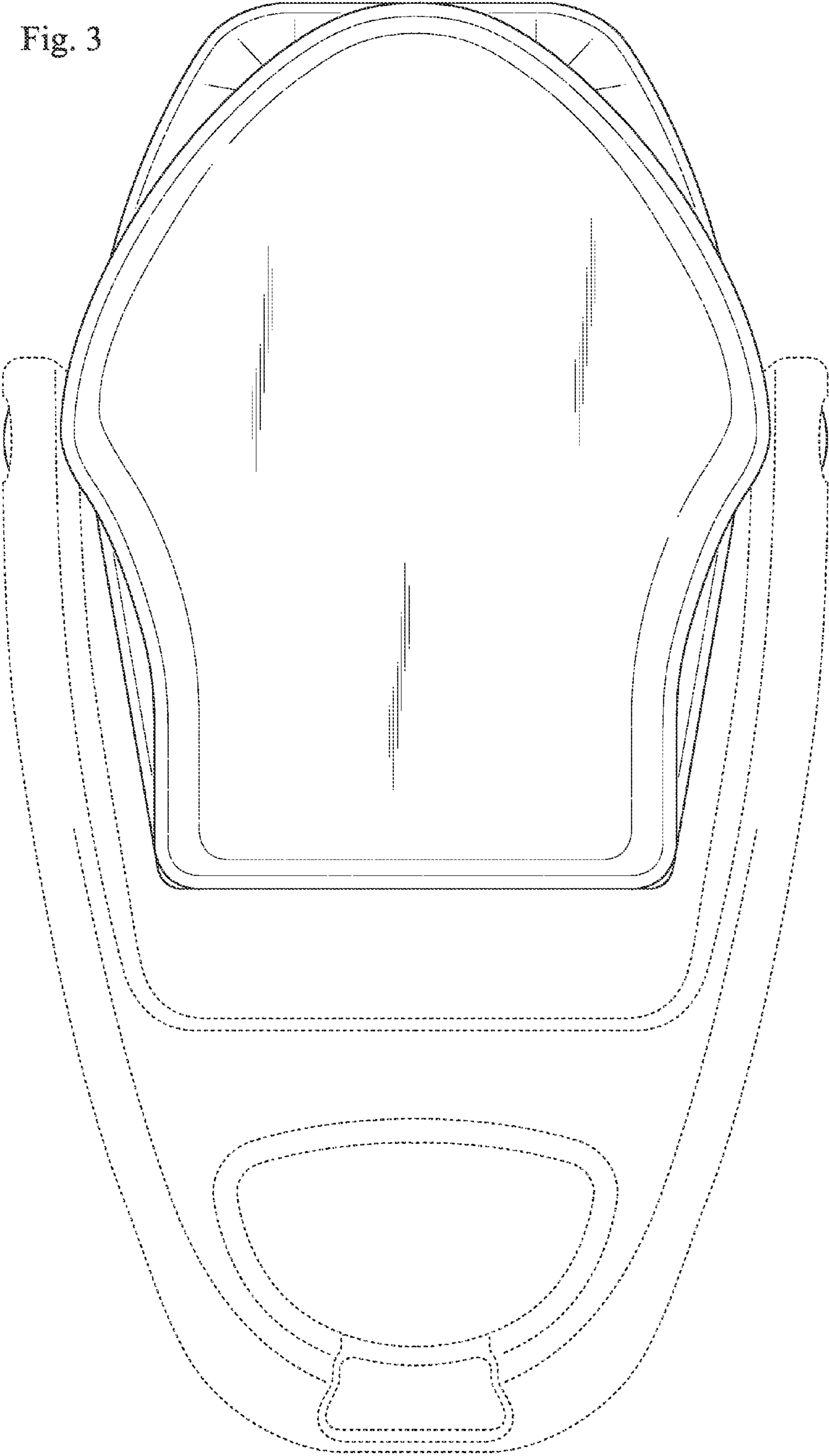


Fig. 4

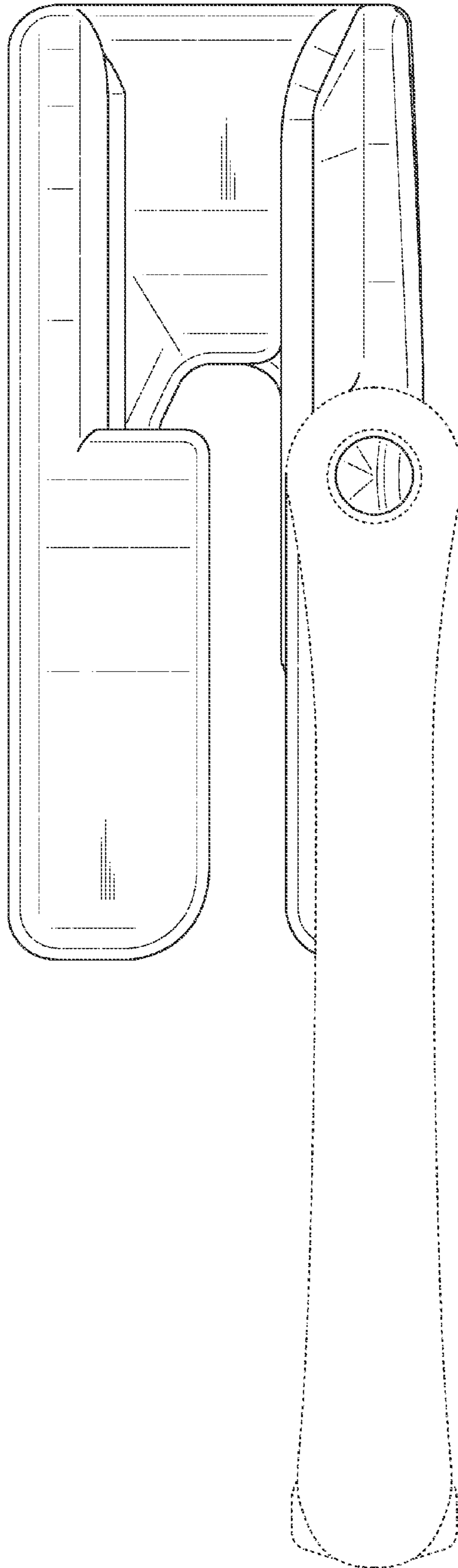


Fig. 5

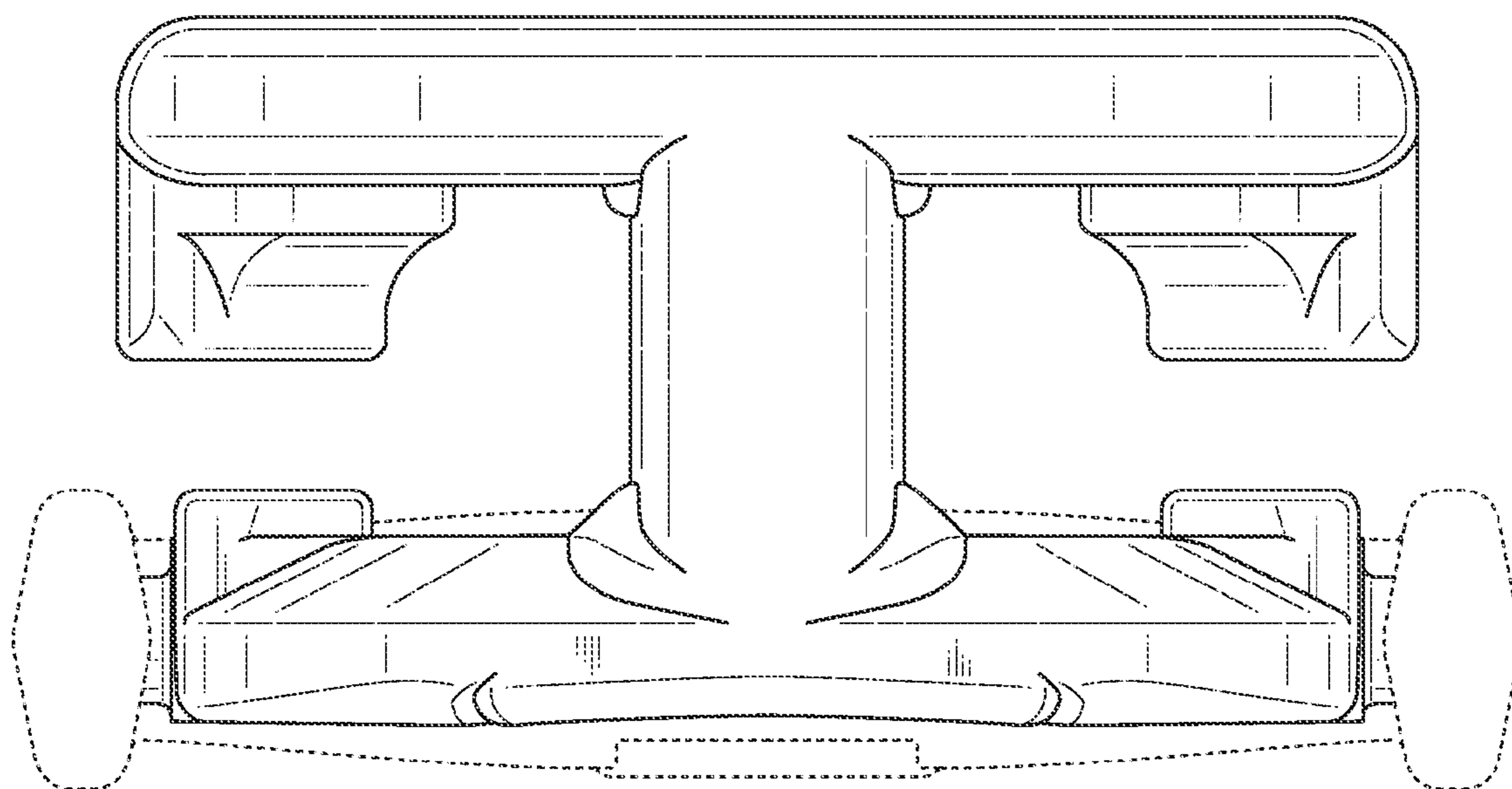


Fig. 6

