



US00D710747S

(12) **United States Design Patent**
Nanbu et al.

(10) **Patent No.:** **US D710,747 S**

(45) **Date of Patent:** **** Aug. 12, 2014**

(54) **BUCKLE**

(71) Applicant: **YKK Corporation**, Tokyo (JP)

(72) Inventors: **Madoka Nanbu**, Toyama (JP); **Takaaki Fuji**, Toyama (JP)

(73) Assignee: **YKK Corporation** (JP)

(**) Term: **14 Years**

(21) Appl. No.: **29/484,195**

(22) Filed: **Mar. 6, 2014**

(30) **Foreign Application Priority Data**

Sep. 10, 2013 (JP) 2013-020869

(51) **LOC (10) Cl.** **02-07**

(52) **U.S. Cl.**
USPC **D11/216**

(58) **Field of Classification Search**
CPC A44B 11/00; A44B 11/25; A44B 21/00;
A44B 17/00

USPC D11/1-2, 200-201, 206-210, 214-218;
24/163 R, 169-171, 173, 177-179, 191,
24/194-195, 197, 200, 614-616, 625, 198,
24/578.11, 578.1, 163 K, 114, 307

See application file for complete search history.

(56) **References Cited**

U.S. PATENT DOCUMENTS

D524,694 S *	7/2006	Funo et al.	D11/216
D560,551 S *	1/2008	Uehara	D11/216
D619,043 S *	7/2010	Uehara	D11/216
D634,670 S *	3/2011	Takazakura	D11/216
D684,089 S *	6/2013	Nanbu et al.	D11/216

* cited by examiner

Primary Examiner — Ralf Seifert

(74) *Attorney, Agent, or Firm* — Kilpatrick Townsend & Stockton LLP

(57) **CLAIM**

The ornamental design for a buckle, as shown and described.

DESCRIPTION

FIG. 1 is a perspective view of the front, bottom and right side of a buckle showing our new design;
FIG. 2 is a front view thereof;
FIG. 3 is a rear view thereof;
FIG. 4 is a right side view thereof, the left side view being mirror image thereof;
FIG. 5 is a top plan view thereof; and,
FIG. 6 is a bottom view thereof.

The broken lines shown are included for the purpose of illustrating the unclaimed portions of a buckle and form no part of the claimed design.

1 Claim, 5 Drawing Sheets

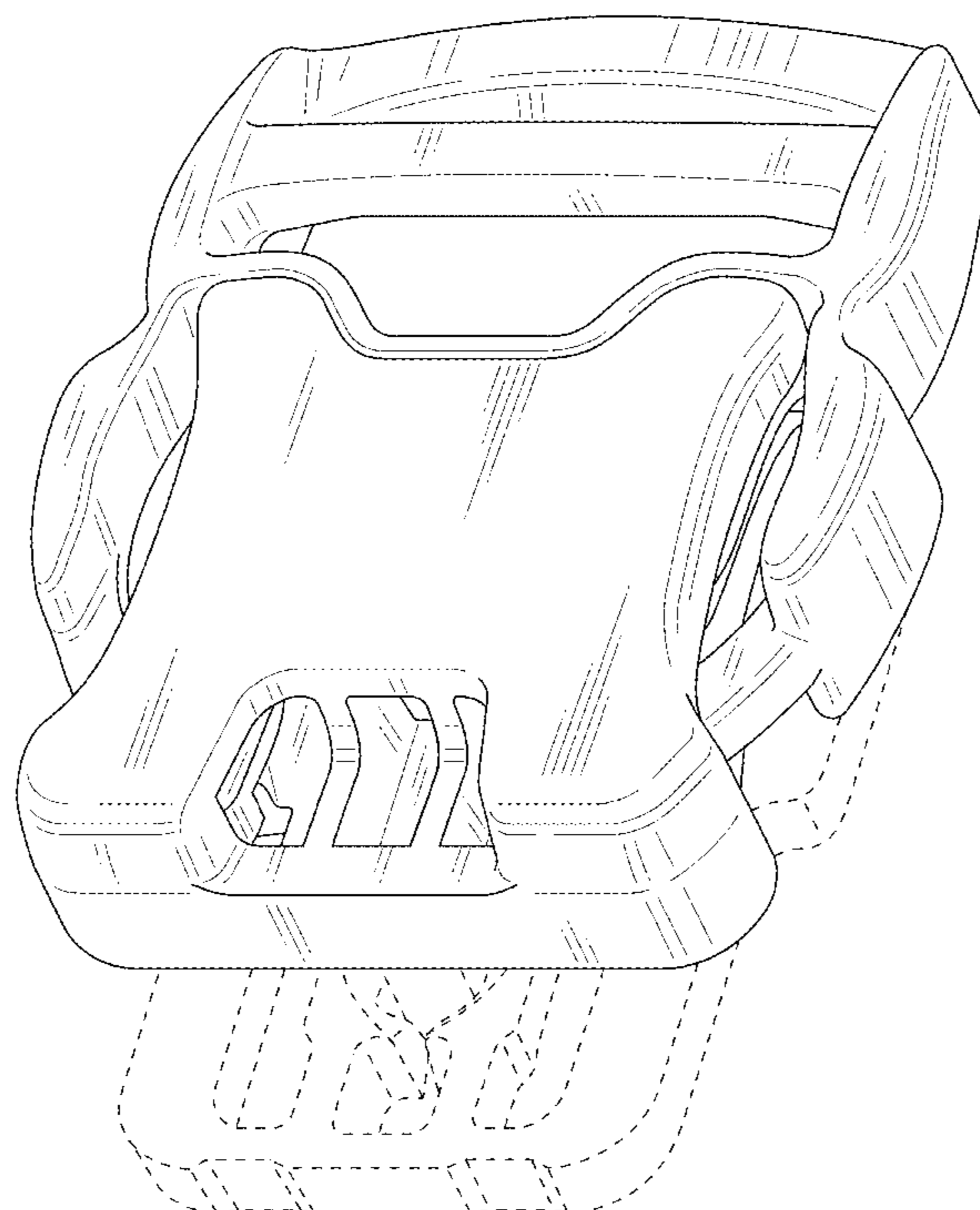


Fig. 1

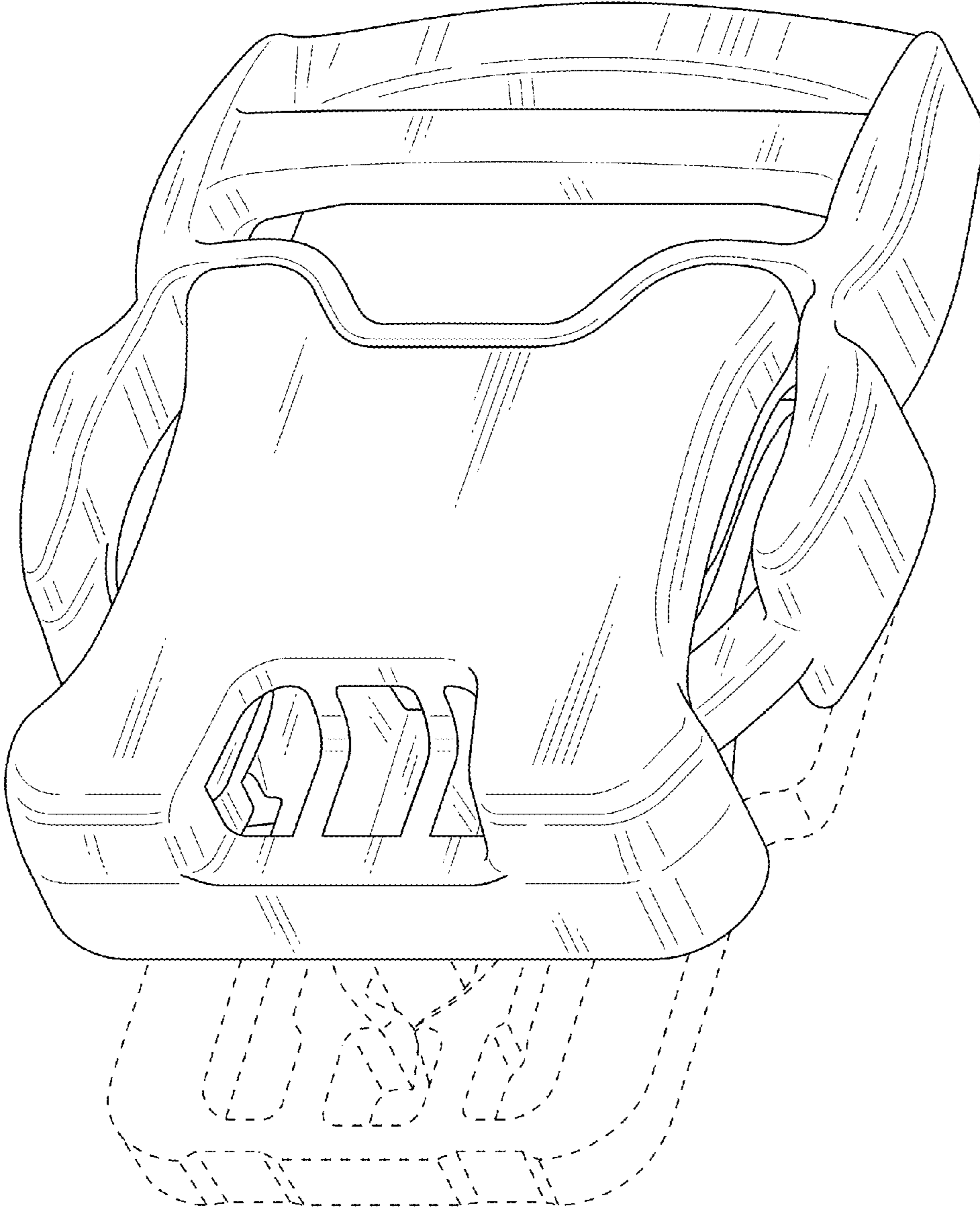


Fig. 2

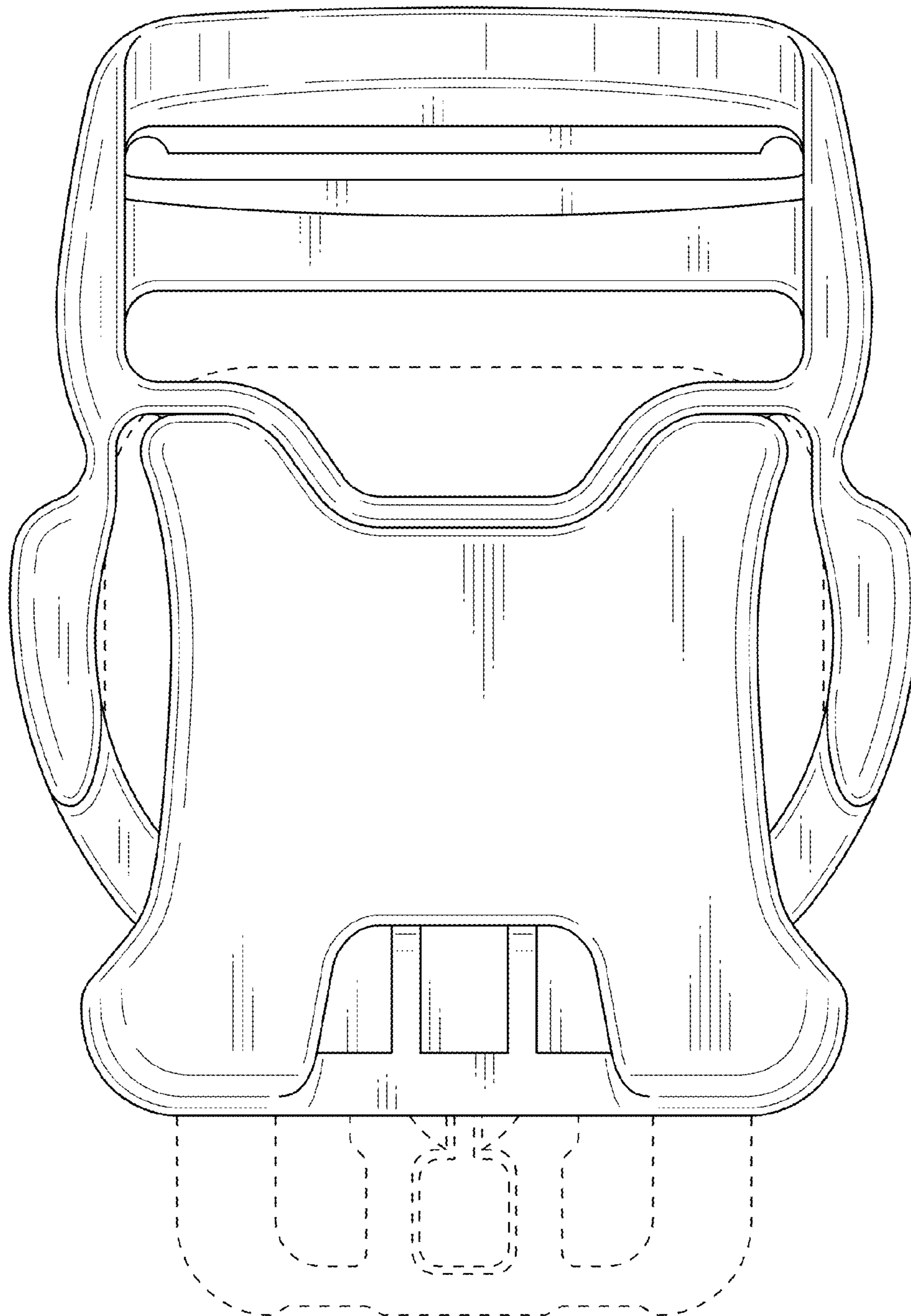


Fig. 3

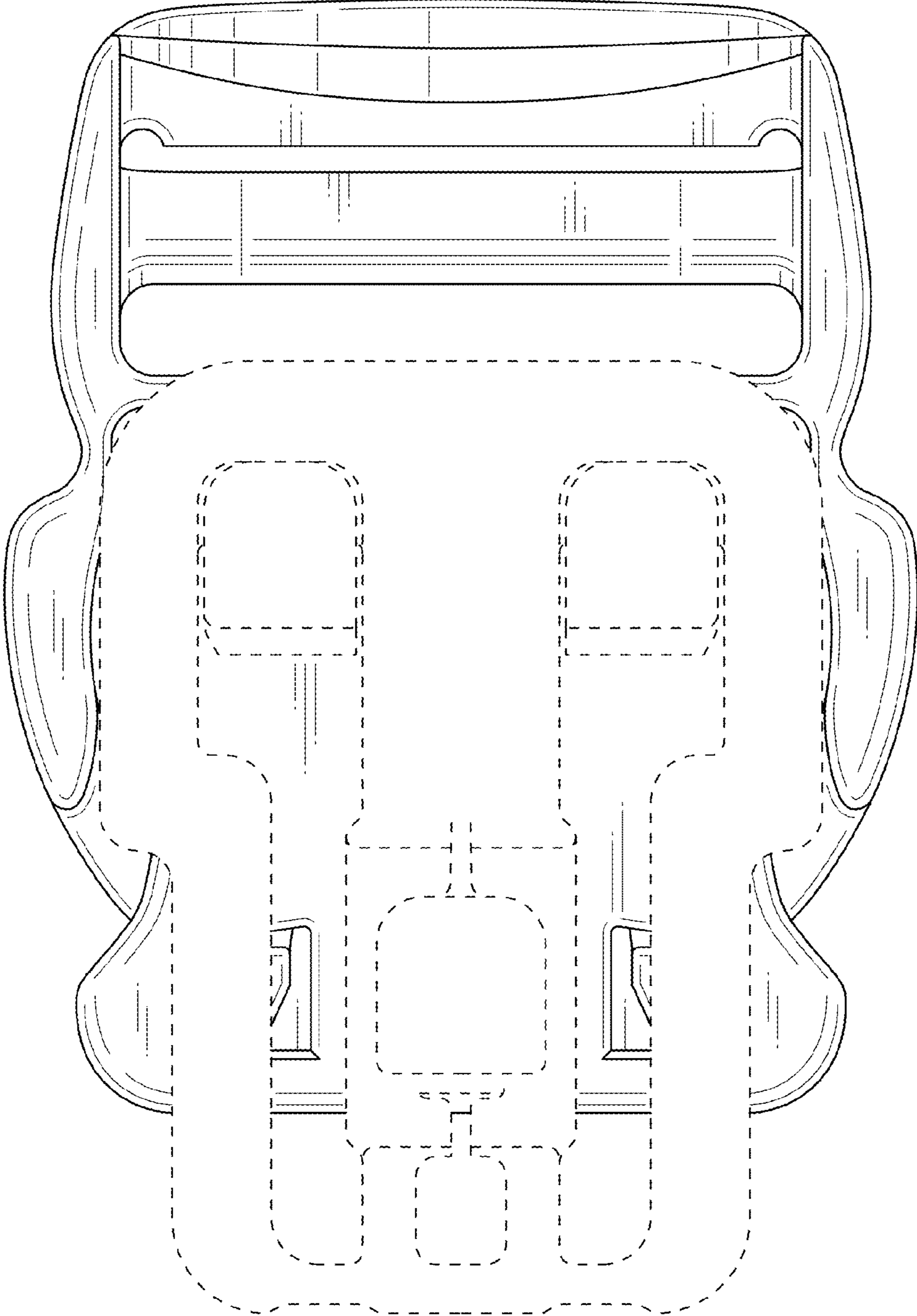


Fig. 4

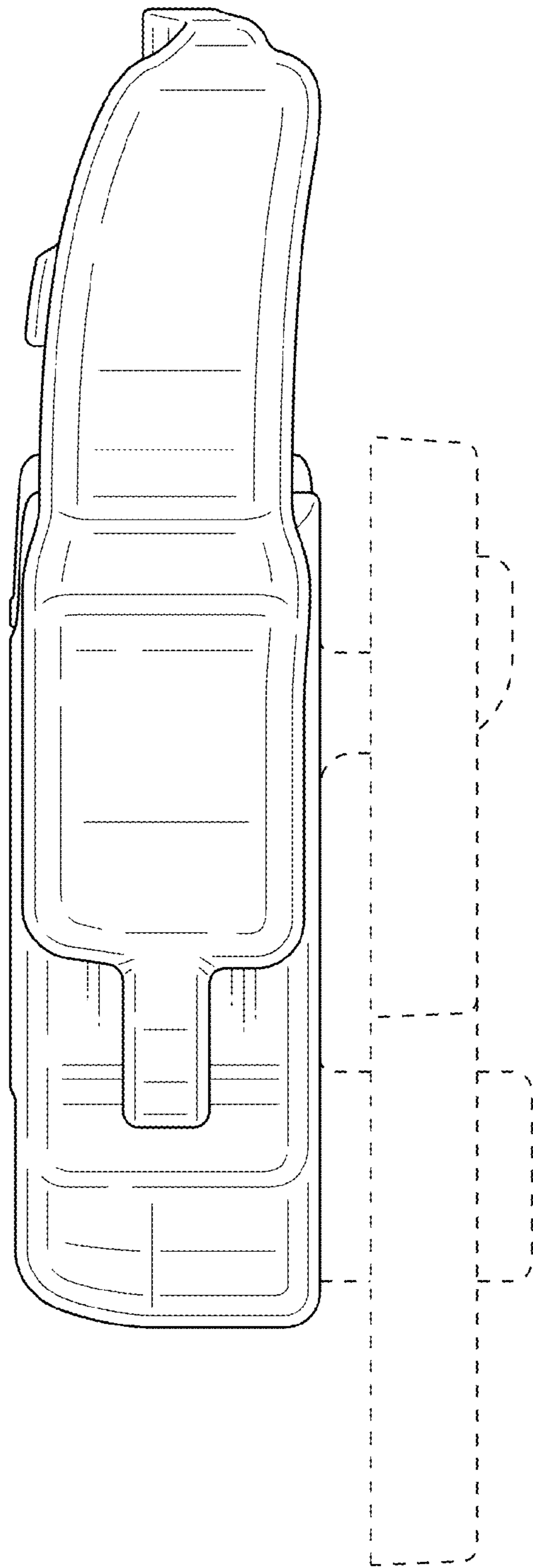


Fig. 5

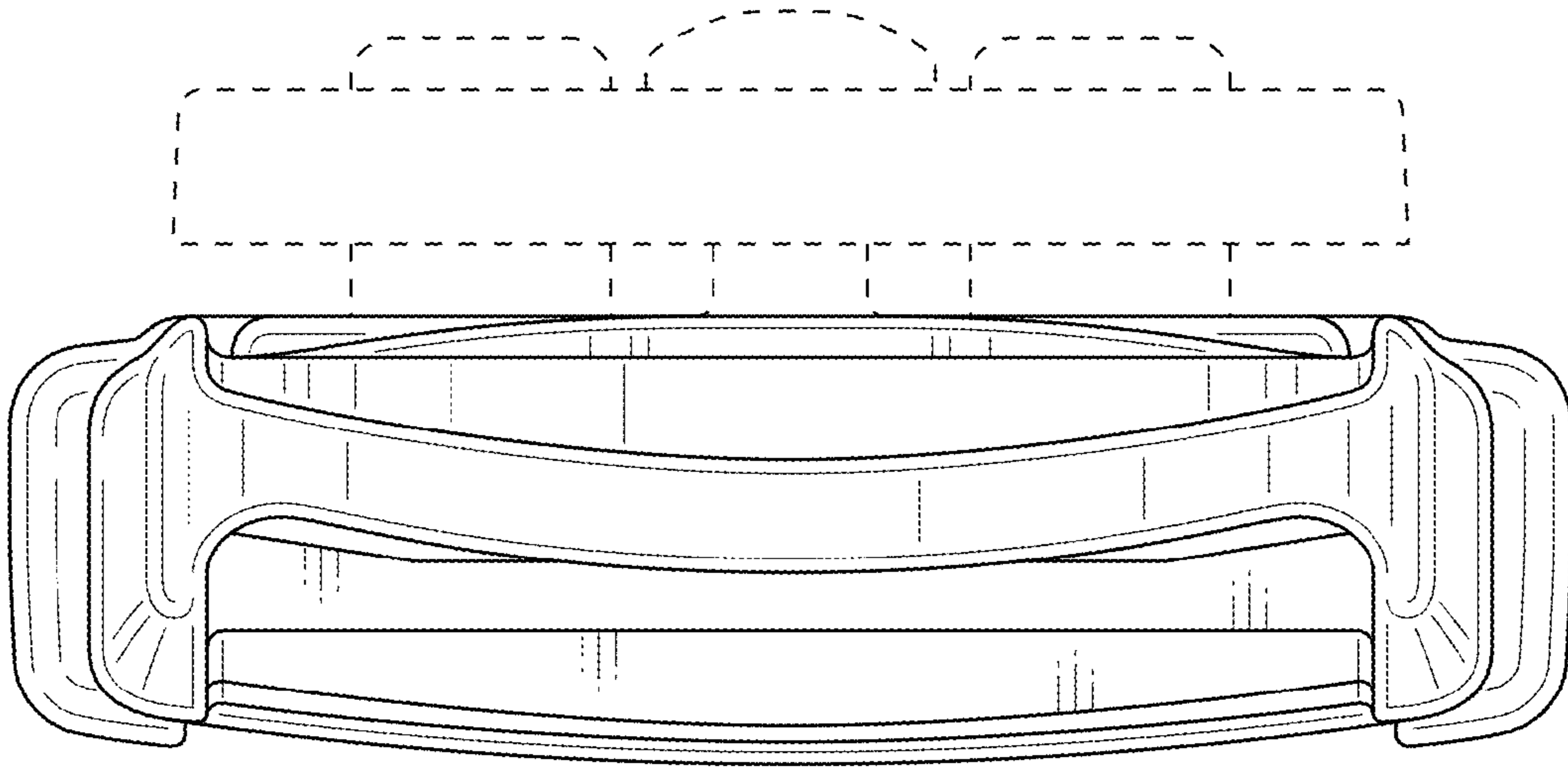


Fig. 6

