



US00D710746S

(12) **United States Design Patent**
Sandkuijl

(10) **Patent No.:** **US D710,746 S**

(45) **Date of Patent:** **** Aug. 12, 2014**

- (54) **TELESCOPIC POLE**
- (71) Applicant: **Railblaza Limited**, Auckland (NZ)
- (72) Inventor: **Paul Sandkuijl**, Napier (NZ)
- (73) Assignee: **Railblaza Limited**, Auckland (NZ)
- (**) Term: **14 Years**

6,494,636	B1 *	12/2002	Mozena	403/109.2
7,100,881	B2 *	9/2006	Worrall	248/278.1
7,654,022	B1 *	2/2010	Waldsmith et al.	40/518
7,823,527	B1 *	11/2010	Wiese	116/173
7,854,564	B1 *	12/2010	Erickson	403/379.3
2002/0178997	A1 *	12/2002	Tsui-Hua	116/174
2004/0031178	A1 *	2/2004	Kim	40/607.05
2010/0101479	A1 *	4/2010	Grahl et al.	116/173
2012/0147585	A1 *	6/2012	Girouard	362/84
2013/0319315	A1 *	12/2013	Chen	116/173

- (21) Appl. No.: **29/453,121**
- (22) Filed: **Apr. 25, 2013**

* cited by examiner

Primary Examiner — Karen S Acker

(74) *Attorney, Agent, or Firm* — Novak Druce Connolly Bove + Quigg LLP

(30) **Foreign Application Priority Data**

Oct. 25, 2012 (NZ) 416905

- (51) **LOC (10) Cl.** **11-05**
- (52) **U.S. Cl.**
USPC **D11/182**

(57) **CLAIM**

I claim the ornamental design for a telescopic pole, as shown and described.

(58) **Field of Classification Search**

USPC D11/165–183; D20/16, 17, 27, 28, 30,
D20/31, 36, 41–43; 40/218, 584, 604,
40/606.1, 606.15, 607.01, 607.03, 607.05;
116/173–175; 284/200, 218.4, 511
See application file for complete search history.

DESCRIPTION

FIG. 1 is a right front and top perspective view of the telescopic pole;
FIG. 2 is a right front and bottom perspective view, thereof;
FIG. 3 is a front elevational view thereof;
FIG. 4 is a rear elevational view thereof;
FIG. 5 is a right side elevational view thereof;
FIG. 6 is a left side elevational view thereof;
FIG. 7 is a top plan view thereof; and,
FIG. 8 is a bottom plan view thereof.

(56) **References Cited**

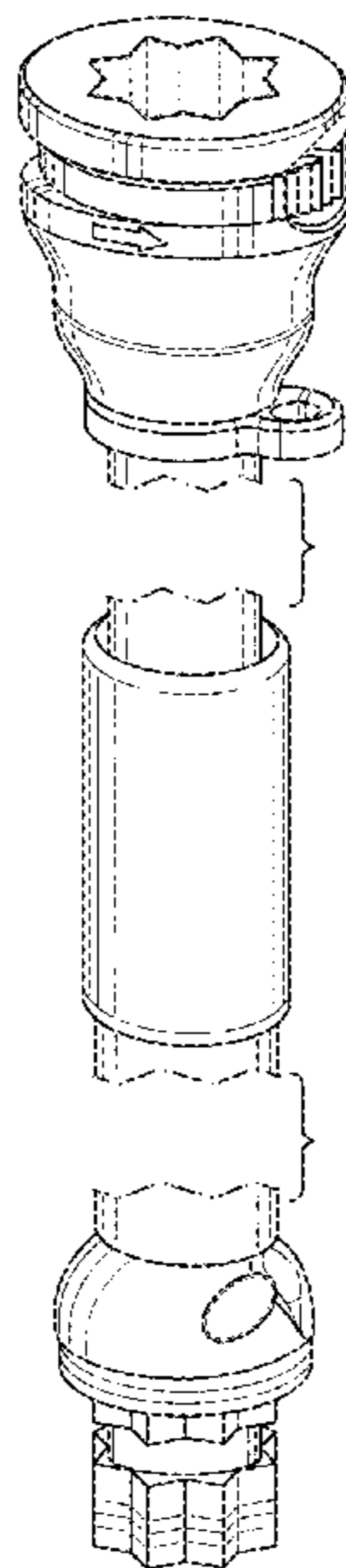
U.S. PATENT DOCUMENTS

3,559,934	A *	2/1971	Jensen	248/121
3,760,441	A *	9/1973	Handelman	441/11
4,274,127	A *	6/1981	Beck et al.	362/511
4,949,525	A *	8/1990	Weaver	40/606.14
D317,630	S *	6/1991	Allen et al.	D20/42
5,451,045	A *	9/1995	Garske	473/176
5,540,017	A *	7/1996	Eilam et al.	52/118
5,730,481	A *	3/1998	Szabo et al.	285/305
5,975,009	A *	11/1999	Nihra et al.	116/173
6,453,486	B1 *	9/2002	Chen	4/605

The telescopic pole includes symbolic breaks in two areas along the length representing the boundaries of the design. The broken break lines and the areas between the break lines form no part of the claimed design.

The broken lines within the design represent unclaimed portions of the telescopic pole and form no part of the claimed design.

1 Claim, 8 Drawing Sheets



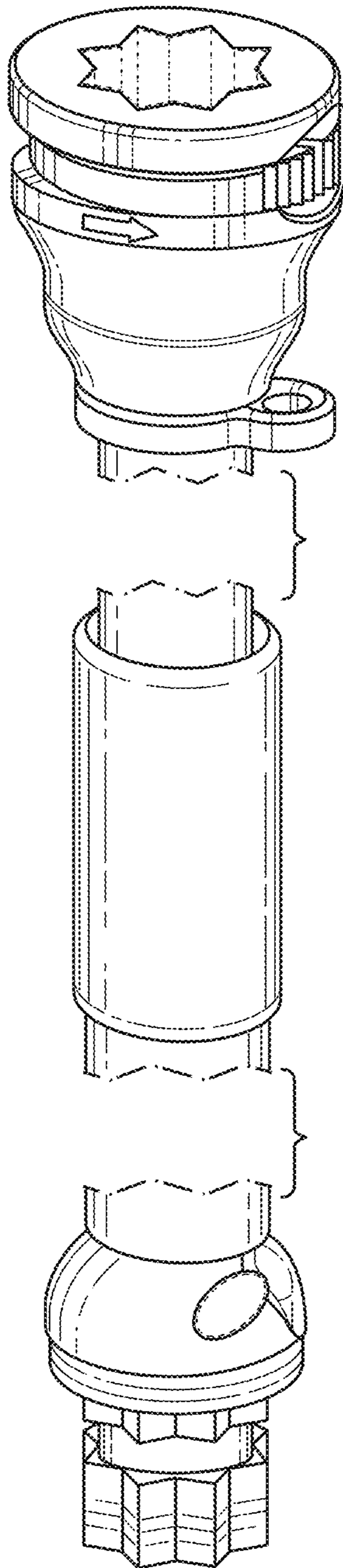


FIG. 1

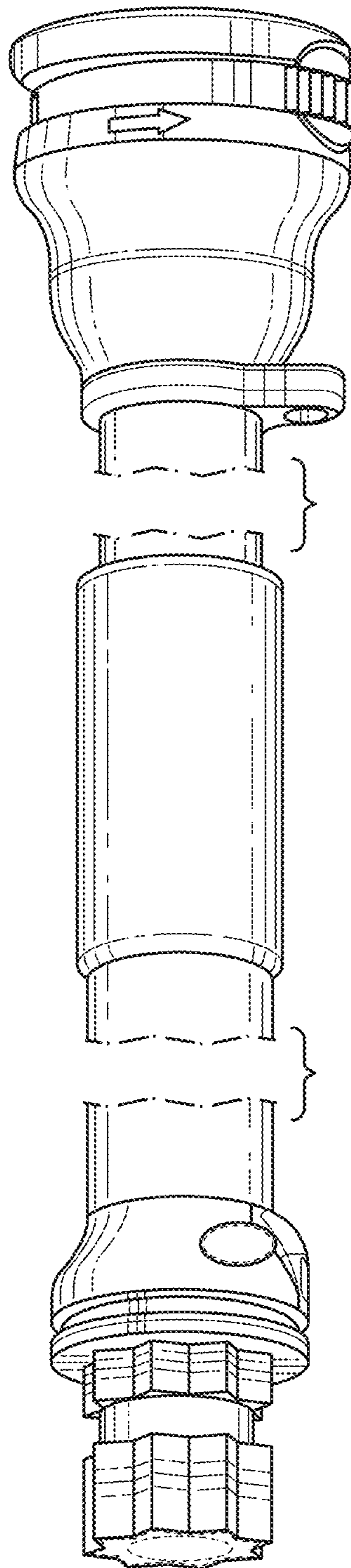


FIG. 2

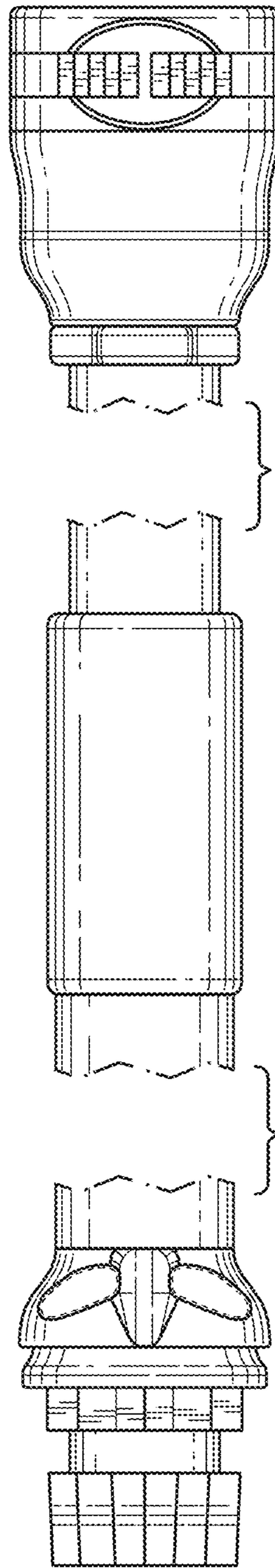


FIG. 3

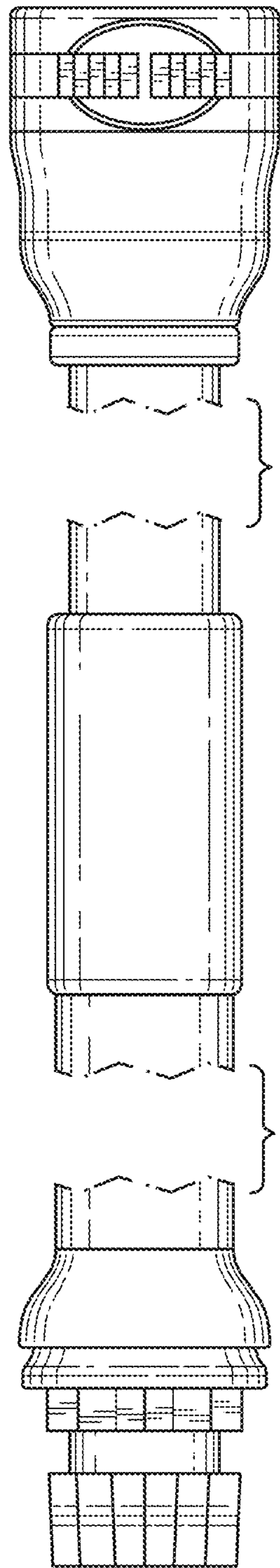


FIG. 4

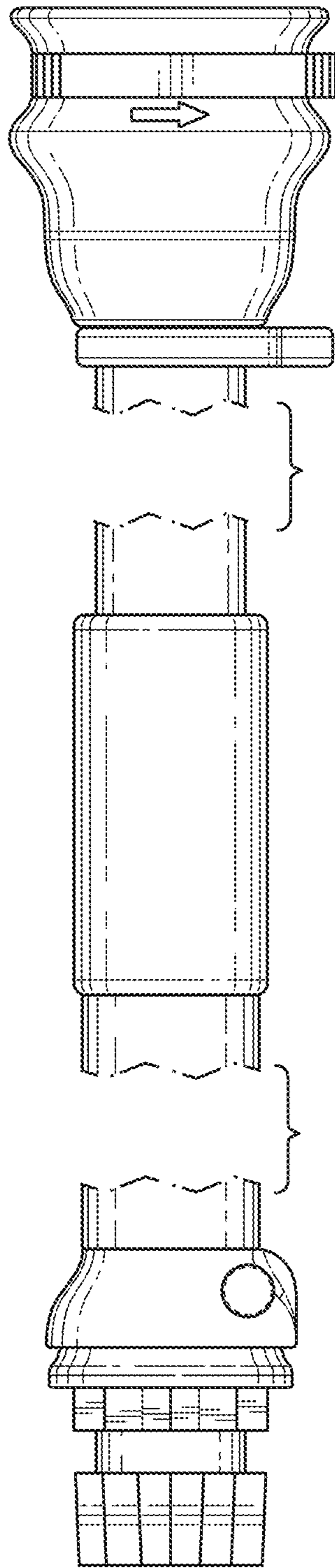


FIG. 5

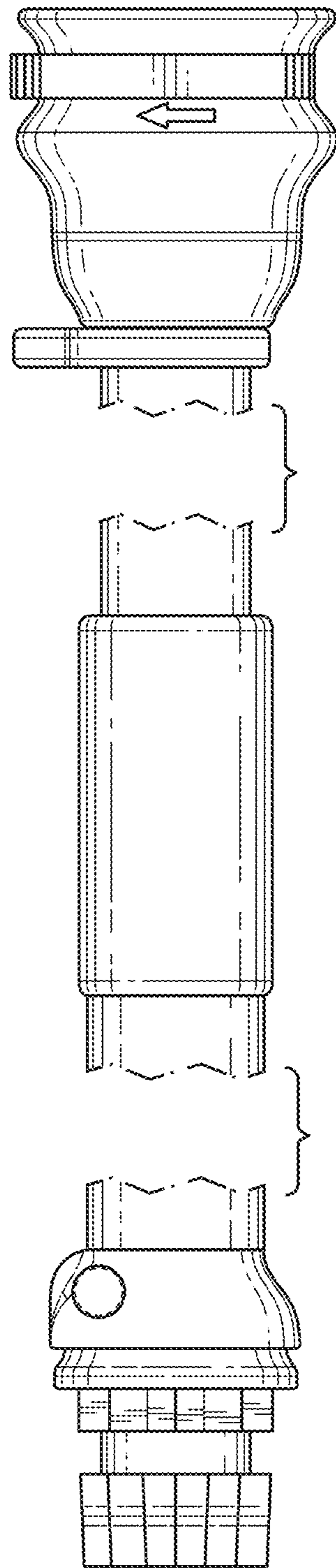


FIG. 6

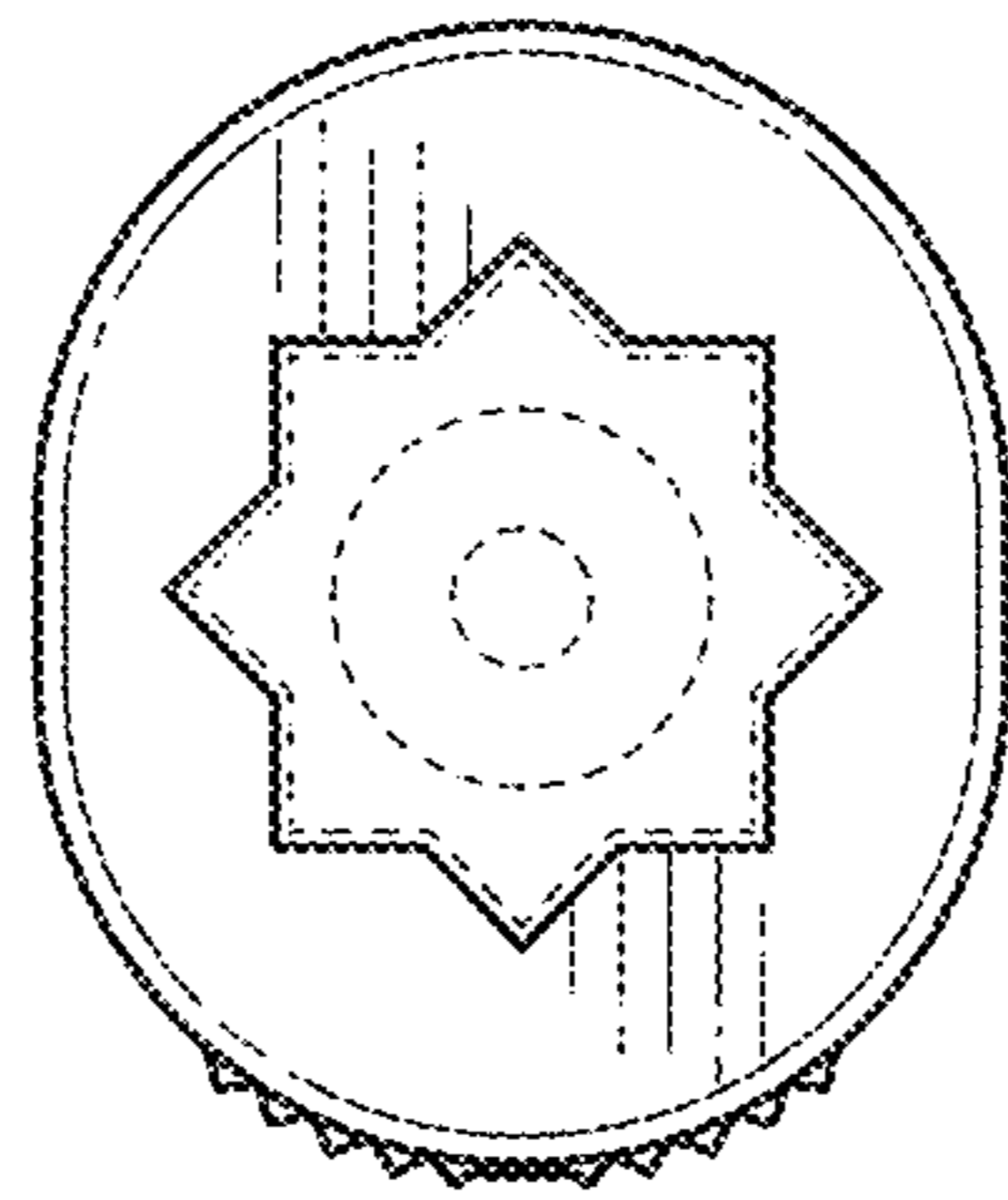


FIG. 7

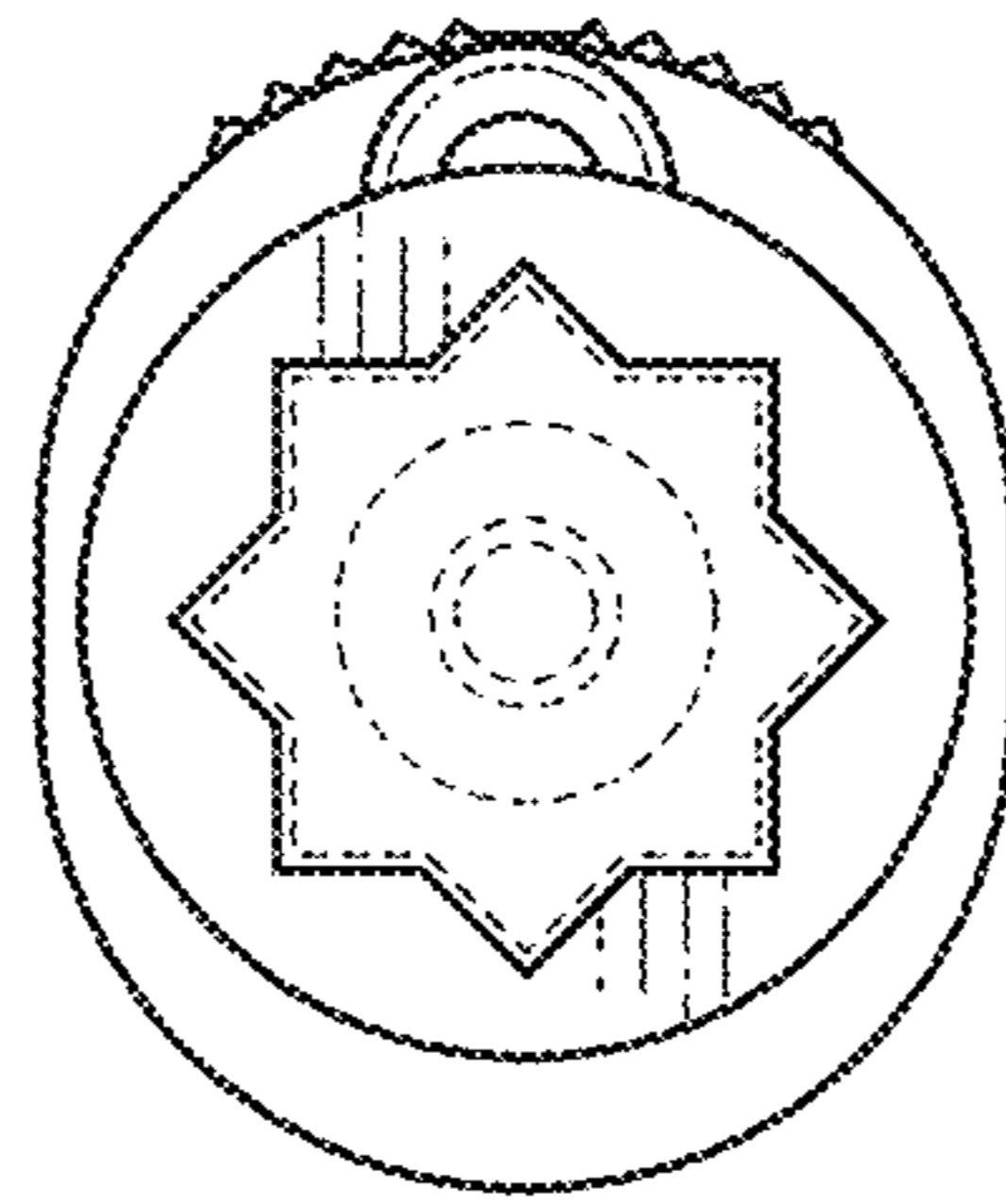


FIG. 8