



US00D710743S

(12) **United States Design Patent**  
**Bartter**

(10) **Patent No.:** **US D710,743 S**

(45) **Date of Patent:** **\*\* Aug. 12, 2014**

(54) **VASE**

(71) Applicant: **Tammy Bartter**, Worthington, OH (US)

(72) Inventor: **Tammy Bartter**, Worthington, OH (US)

(\*\*) Term: **14 Years**

(21) Appl. No.: **29/464,654**

(22) Filed: **Aug. 20, 2013**

(51) **LOC (10) Cl.** ..... **11-02**

(52) **U.S. Cl.**  
USPC ..... **D11/146**

(58) **Field of Classification Search**

CPC ..... B65D 85/52; B65D 21/0228; B65D  
2203/00; B65D 85/505; F21V 35/00; F21V  
21/06; F21V 33/0024; A47G 7/06; A45F  
5/02; F21K 9/175

USPC ..... D6/403-405, 556-558; D11/143-156,  
D11/164; D19/77, 80, 81, 84; D26/9-11,  
D26/16, 19; D34/1, 2, 4-6; D99/5, 19;  
47/17, 32.4, 32.5, 32.7, 33, 39, 41.01,  
47/41.1, 41.11-41.15, 44-47, 63, 65.5,  
47/65.9, 66.1, 66.2, 66.6, 66.7, 67-71

See application file for complete search history.

(56) **References Cited**

**U.S. PATENT DOCUMENTS**

D186,236 S \* 9/1959 O'Brien ..... D11/154  
D216,632 S \* 2/1970 Lawton ..... D9/501

D262,999 S \* 2/1982 Spencer ..... D26/11  
D463,615 S \* 9/2002 Habibi et al. .... D27/138  
D635,403 S \* 4/2011 Conway et al. .... D7/598  
D635,653 S \* 4/2011 Conway et al. .... D23/355  
D658,539 S \* 5/2012 Harshman ..... D11/146  
D660,195 S \* 5/2012 Harshman ..... D11/146  
D662,441 S \* 6/2012 Harshman ..... D11/154  
2007/0204511 A1 \* 9/2007 Lee et al. .... 47/66.1

\* cited by examiner

*Primary Examiner* — Robert M Spear

*Assistant Examiner* — Marissa Cash

(74) *Attorney, Agent, or Firm* — Ronald J Koch

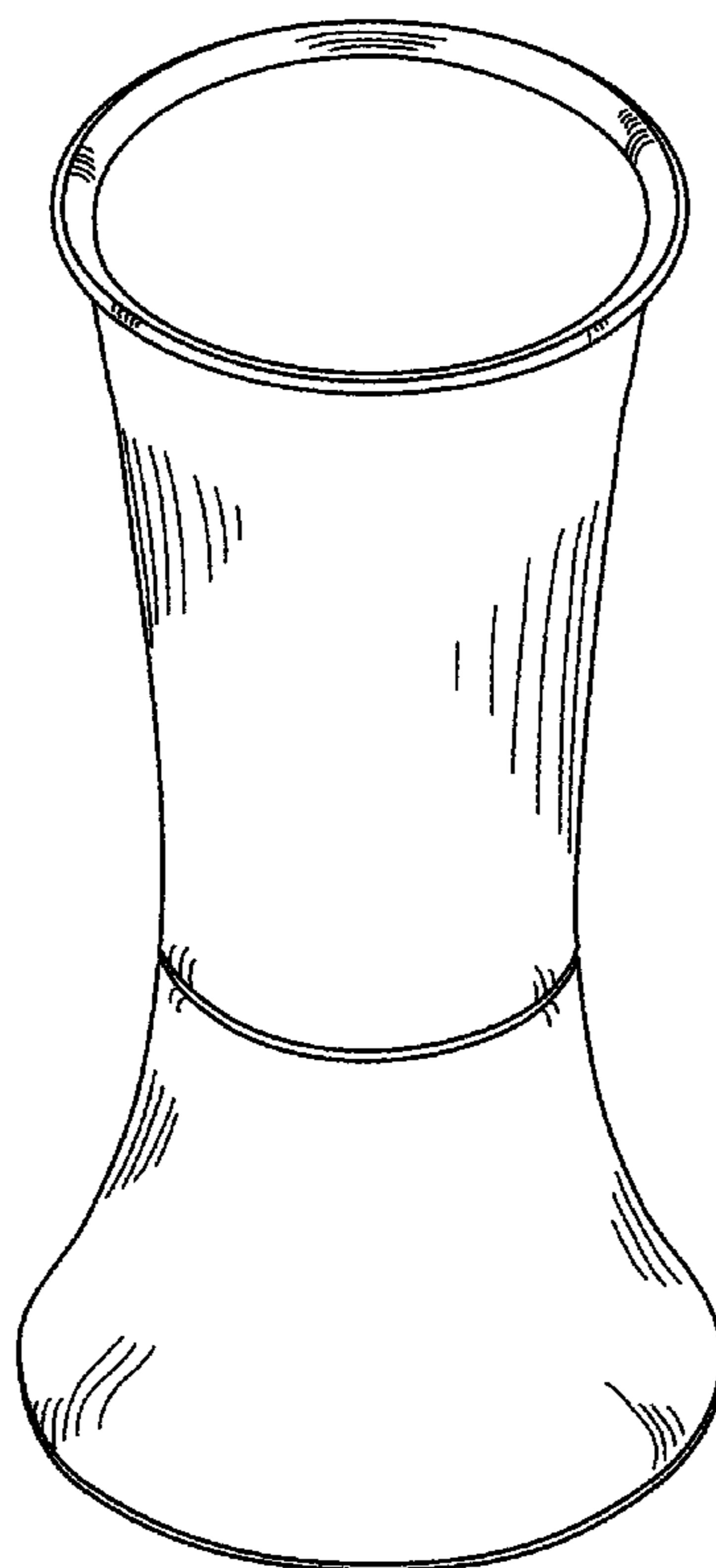
(57) **CLAIM**

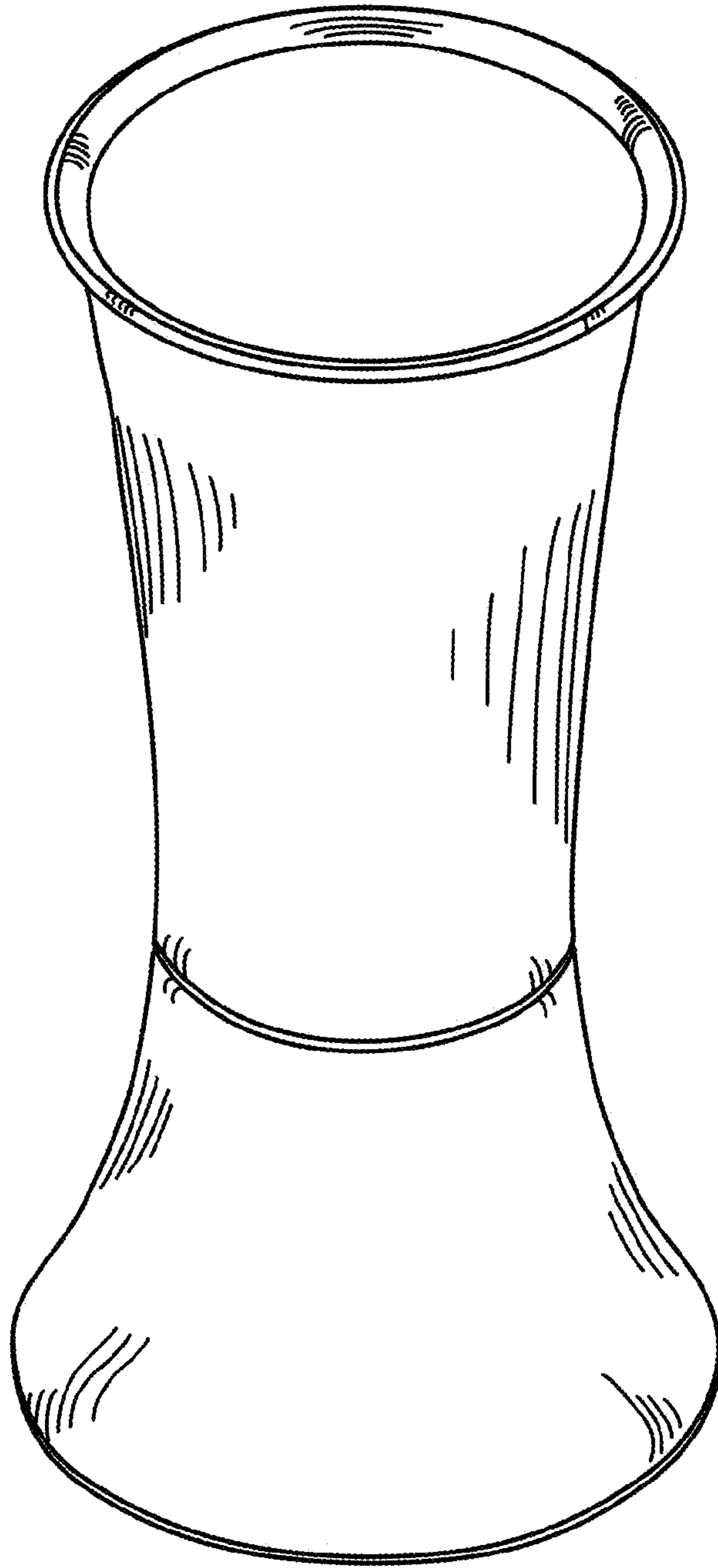
The ornamental design for a vase, as shown and described.

**DESCRIPTION**

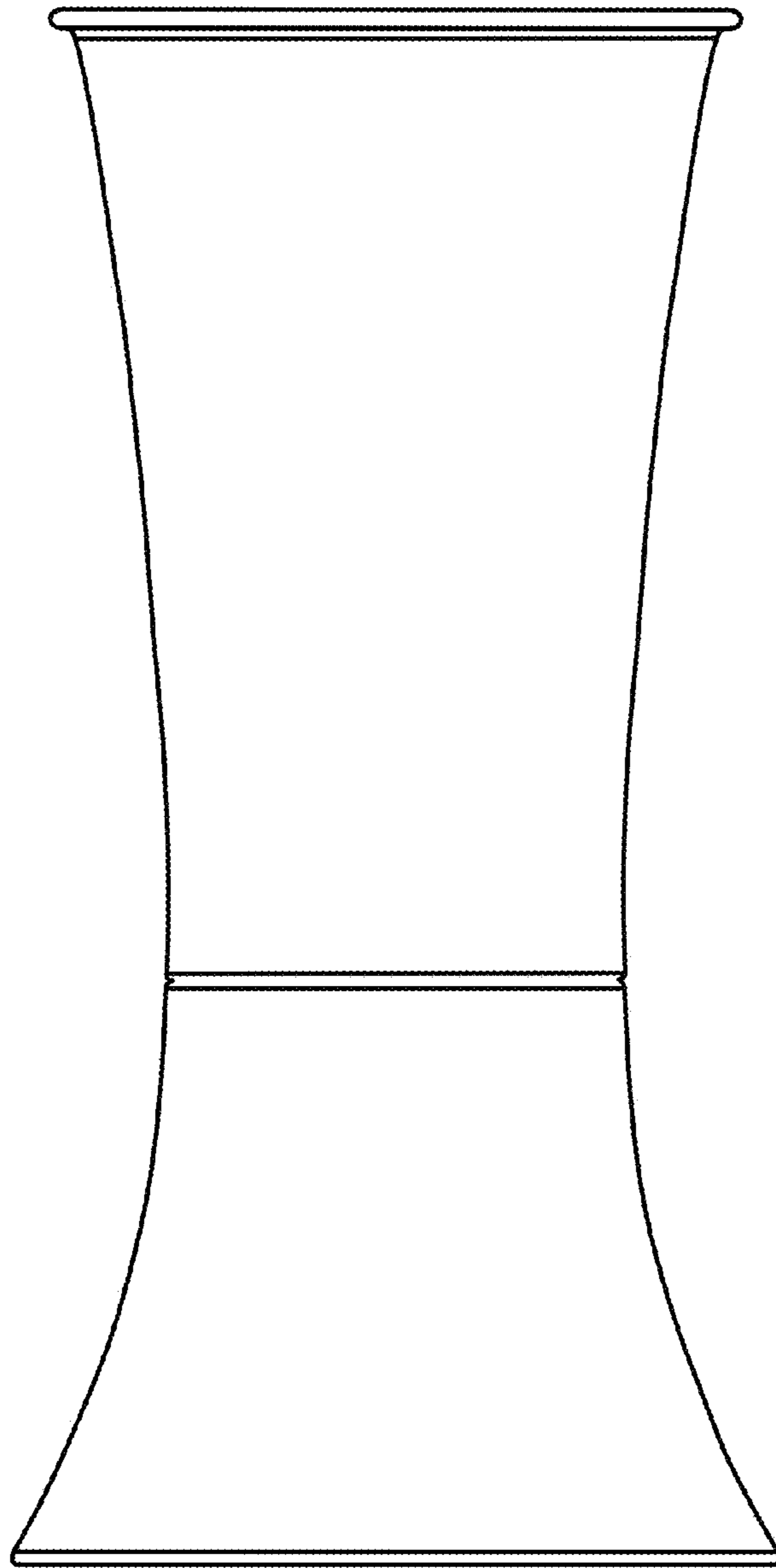
FIG. 1 is a perspective view of the invention.  
FIG. 2 is a side view thereof. The object is symmetrical in that the front, rear, right and left side views are identical.  
FIG. 3 is a top view thereof; and,  
FIG. 4 is a sectional view thereof, and is included to more clearly bring out elements of the design.  
The bottom thereof is unornamented; a view thereof is therefore omitted.  
The broken lines in the drawings represent unclaimed environmental subject matter and form no part of the claim.

**1 Claim, 4 Drawing Sheets**

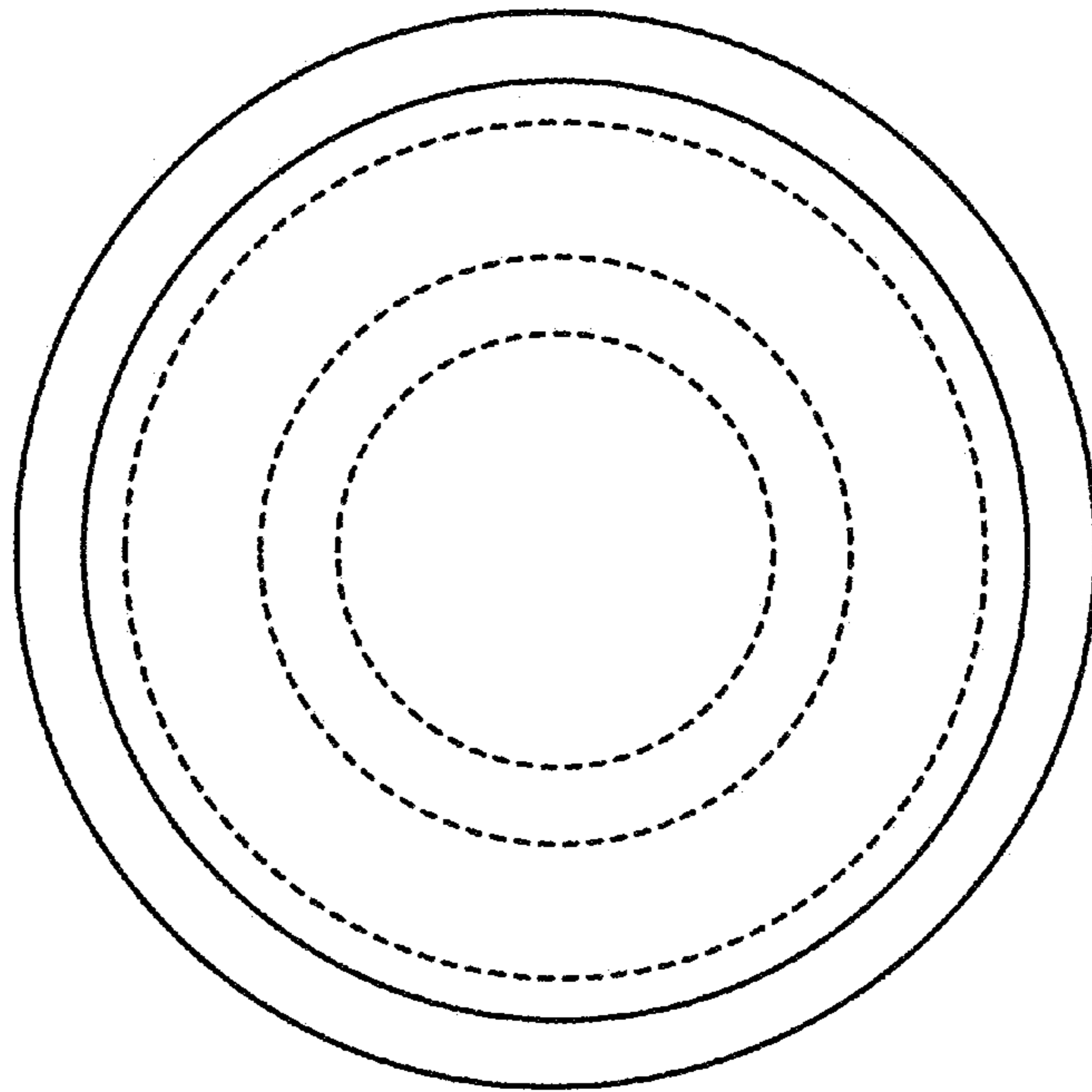




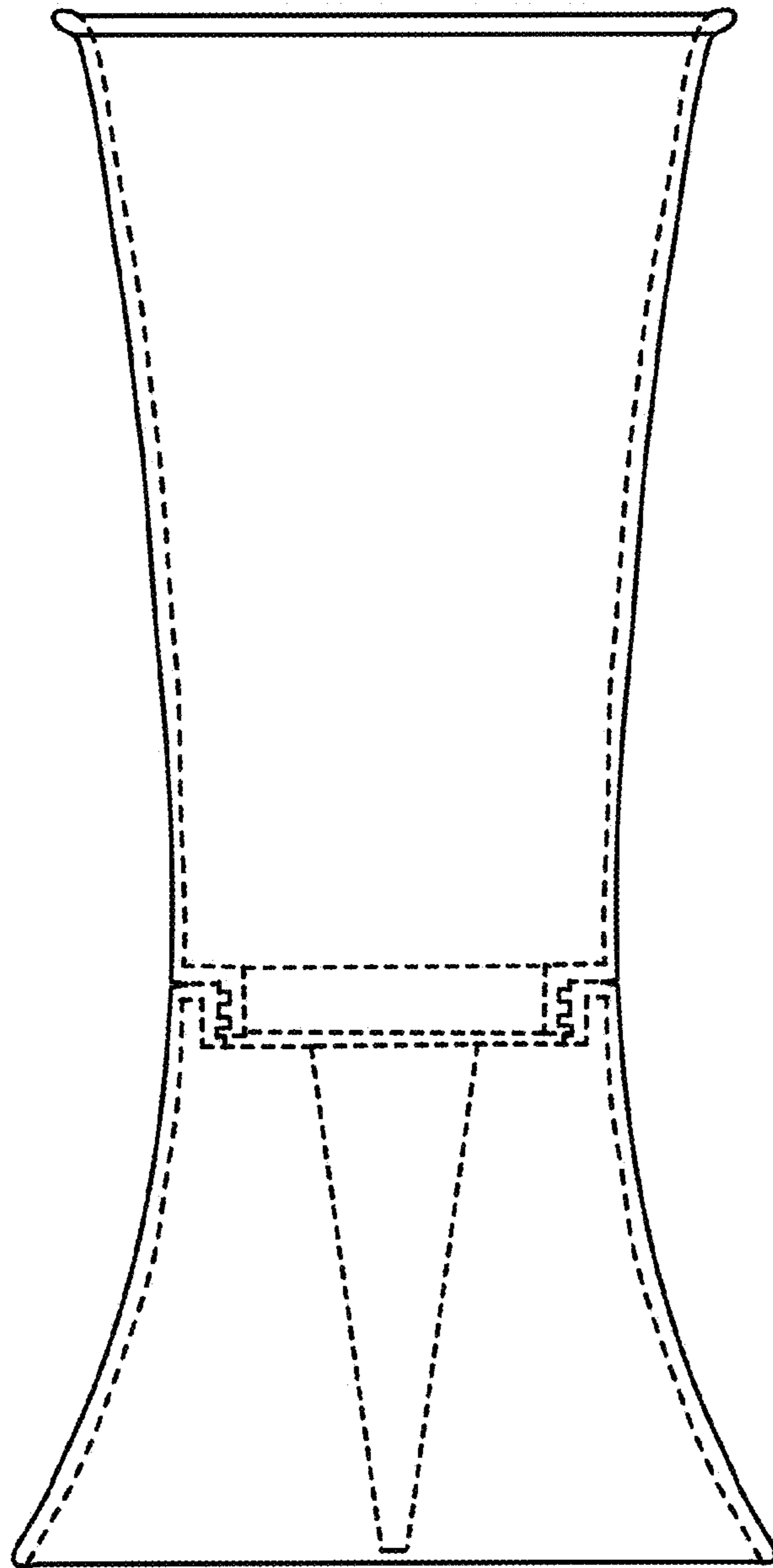
**FIG. 1**



**FIG. 2**



**FIG. 3**



**FIG. 4**