



US00D710742S

(12) **United States Design Patent**
Vincze et al.

(10) **Patent No.:** **US D710,742 S**

(45) **Date of Patent:** **** Aug. 12, 2014**

(54) **HOLIDAY ORNAMENT**

(71) Applicant: **2211914 Ontario Limited**, Oakville (CA)

(72) Inventors: **Tracy Vincze**, Oakville (CA); **Renata Chubb**, Oakville (CA)

(73) Assignee: **2211914 Ontario Limited**, Oakville, Ontario (CA)

(**) Term: **14 Years**

(21) Appl. No.: **29/454,064**

(22) Filed: **May 6, 2013**

(51) **LOC (10) Cl.** **11-05**

(52) **U.S. Cl.**
USPC **D11/127**

(58) **Field of Classification Search**
CPC A47G 33/08; A47G 33/0809; A47G 2033/0827; A47G 2033/089; B44C 5/00
USPC D11/117, 121, 124, 125, 127, 128, 131, D11/157, 158, 160, 162; 428/7, 8, 9, 12
See application file for complete search history.

(56) **References Cited**

U.S. PATENT DOCUMENTS

4,939,004	A	*	7/1990	Fuss	428/9
D337,548	S	*	7/1993	Winkelman	D11/117
D345,435	S	*	3/1994	McLaughlin, II	D26/125
D368,051	S	*	3/1996	Snoddy	D11/121

D398,553	S	*	9/1998	Frank	D11/127
D402,395	S	*	12/1998	Archambault	D26/126
5,934,785	A	*	8/1999	Chen	362/124
D464,288	S	*	10/2002	Wichter	D11/128
D492,616	S	*	7/2004	Hooker	D11/125
6,764,205	B2	*	7/2004	Peloquin	362/437
D546,237	S	*	7/2007	Tsai	D11/117
D547,234	S	*	7/2007	Tsai	D11/124
D569,761	S	*	5/2008	Engelke	D11/128

* cited by examiner

Primary Examiner — Elizabeth J Oswecki

(74) *Attorney, Agent, or Firm* — Miltons IP/p.i.

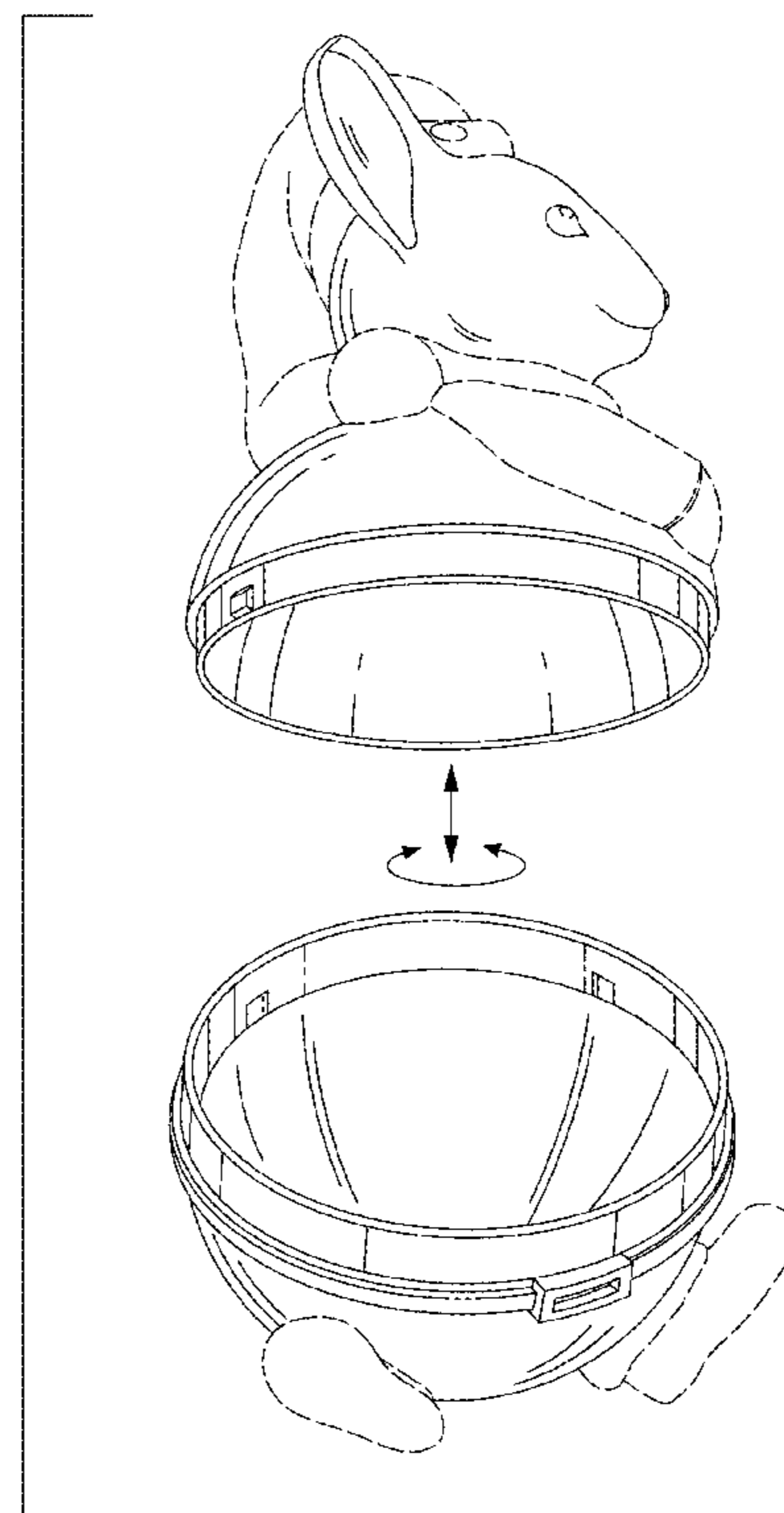
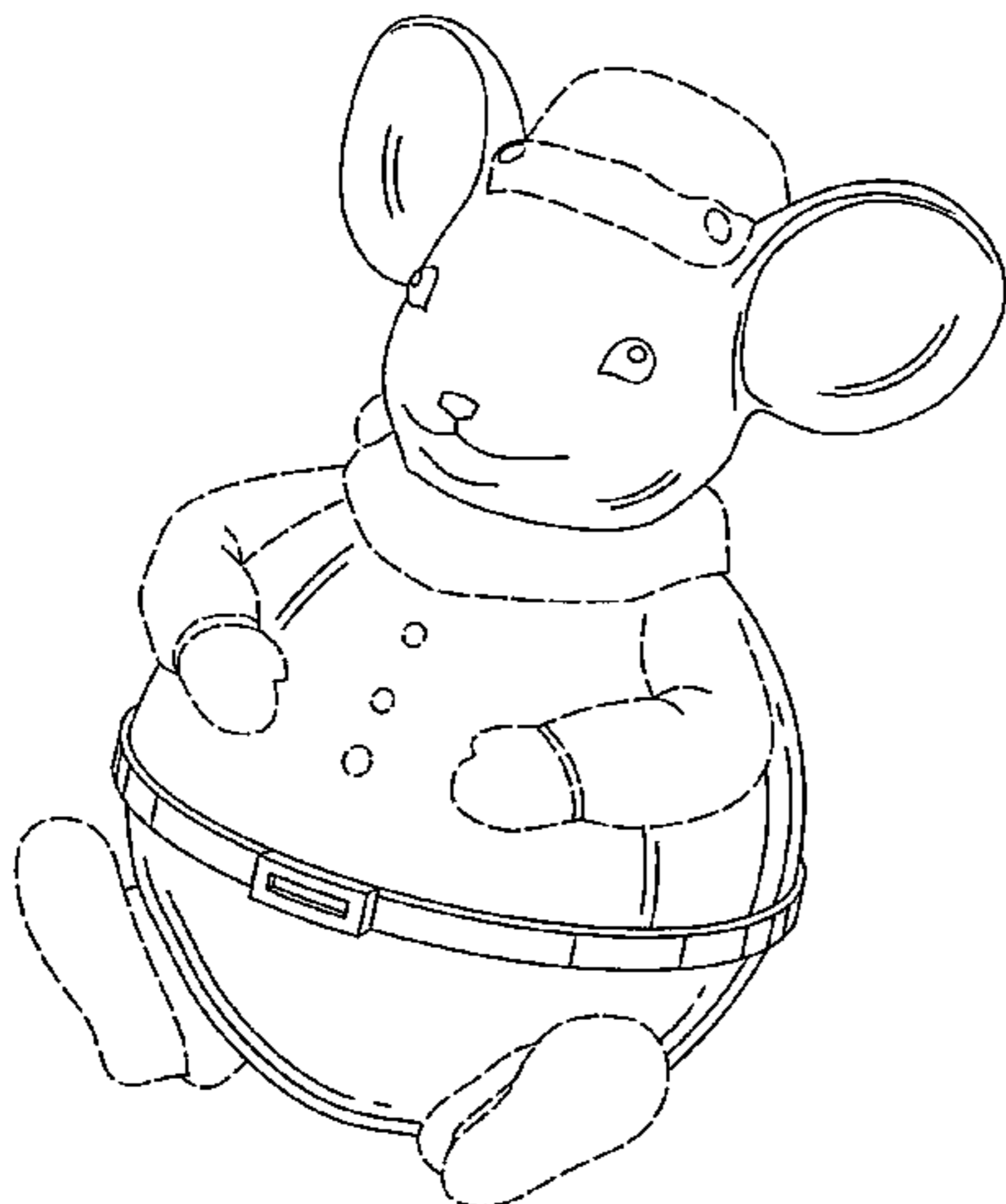
(57) **CLAIM**

The ornamental design for a holiday ornament, as shown and described.

DESCRIPTION

FIG. 1 is a perspective view of a holiday ornament showing our new design;
 FIG. 2 is a front view of the design of FIG. 1.
 FIG. 3 is a rear view of the design of FIG. 1.
 FIG. 4 is a top view of the design of FIG. 1.
 FIG. 5 is a bottom view of the design of FIG. 1.
 FIG. 6 is a right side view of the design of FIG. 1.
 FIG. 7 is a left side view of the design of FIG. 1; and,
 FIG. 8 is another perspective view of the design of FIG. 1 shown in an open position.
 The broken lines shown in the drawings represent portions of the holiday ornament that form no part of the claimed design.

1 Claim, 7 Drawing Sheets



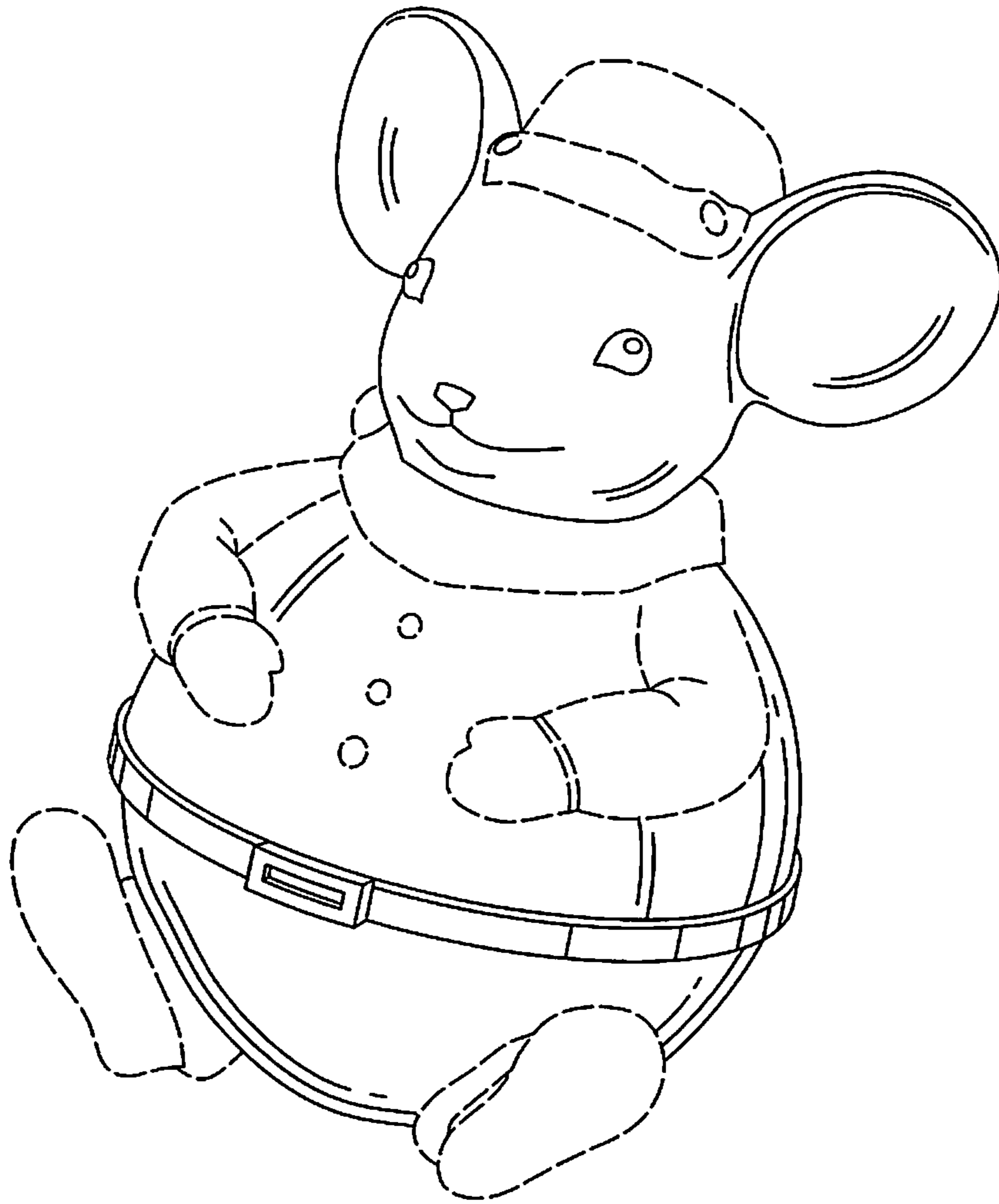


FIG. 1

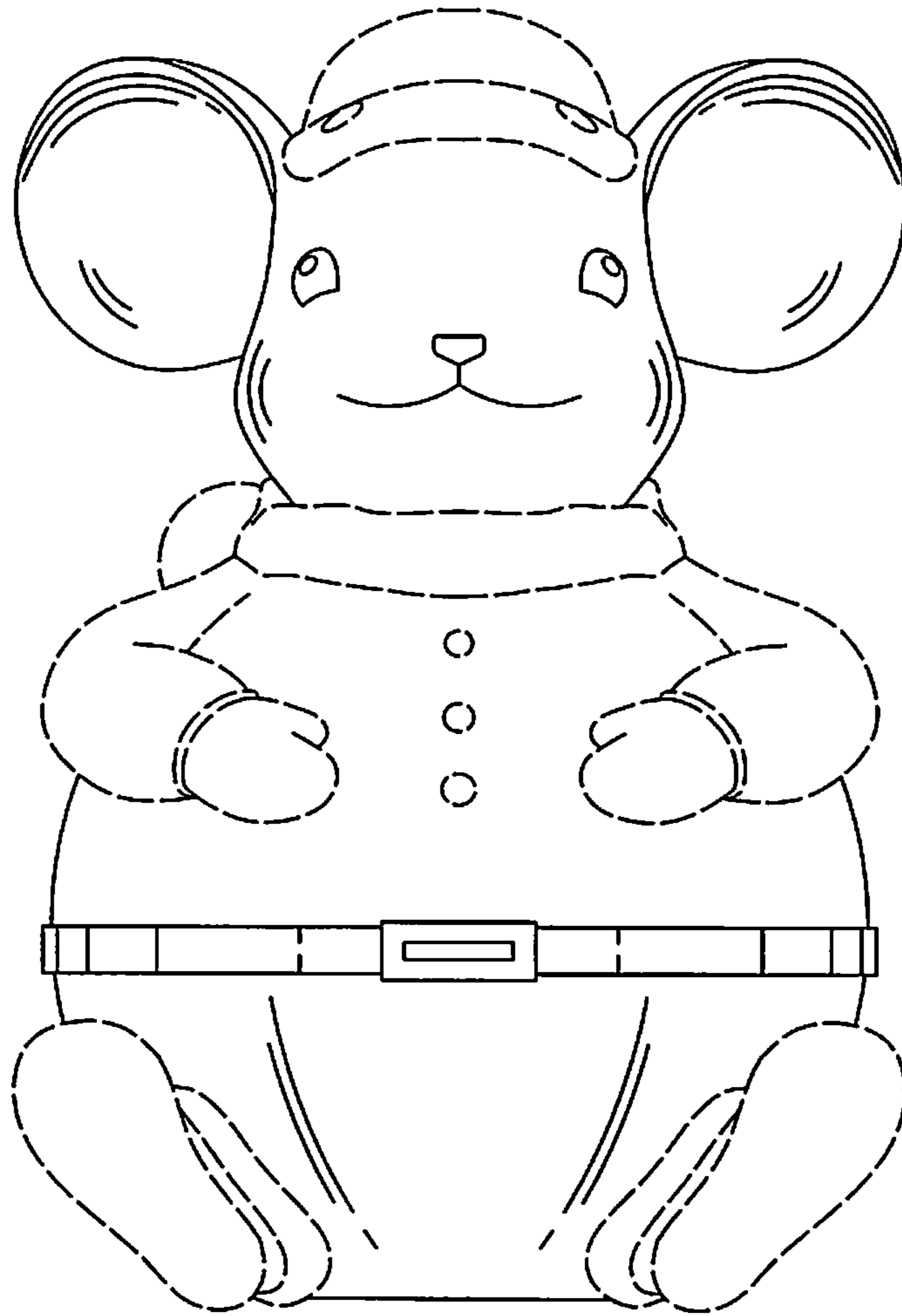


FIG. 2

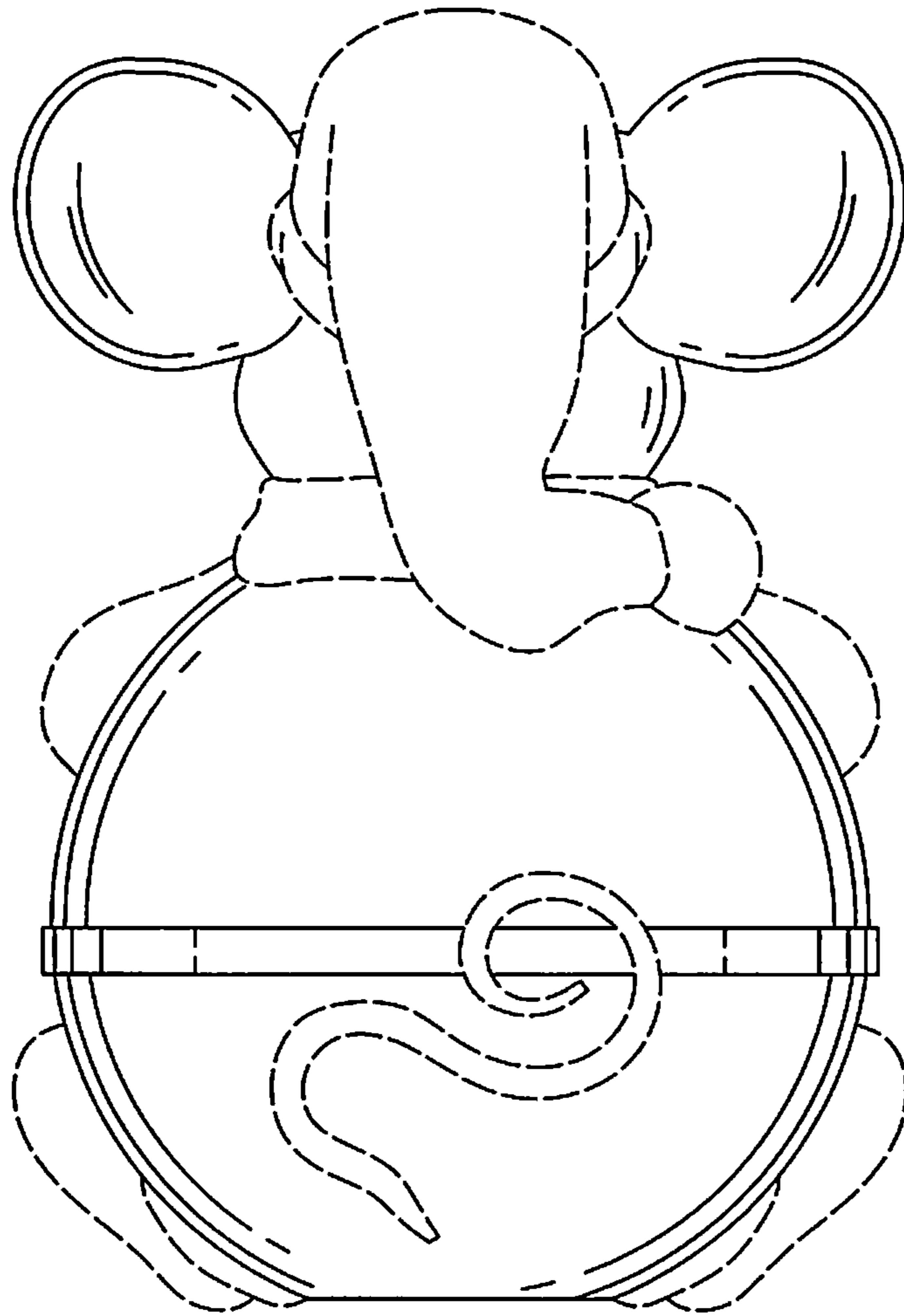


FIG. 3

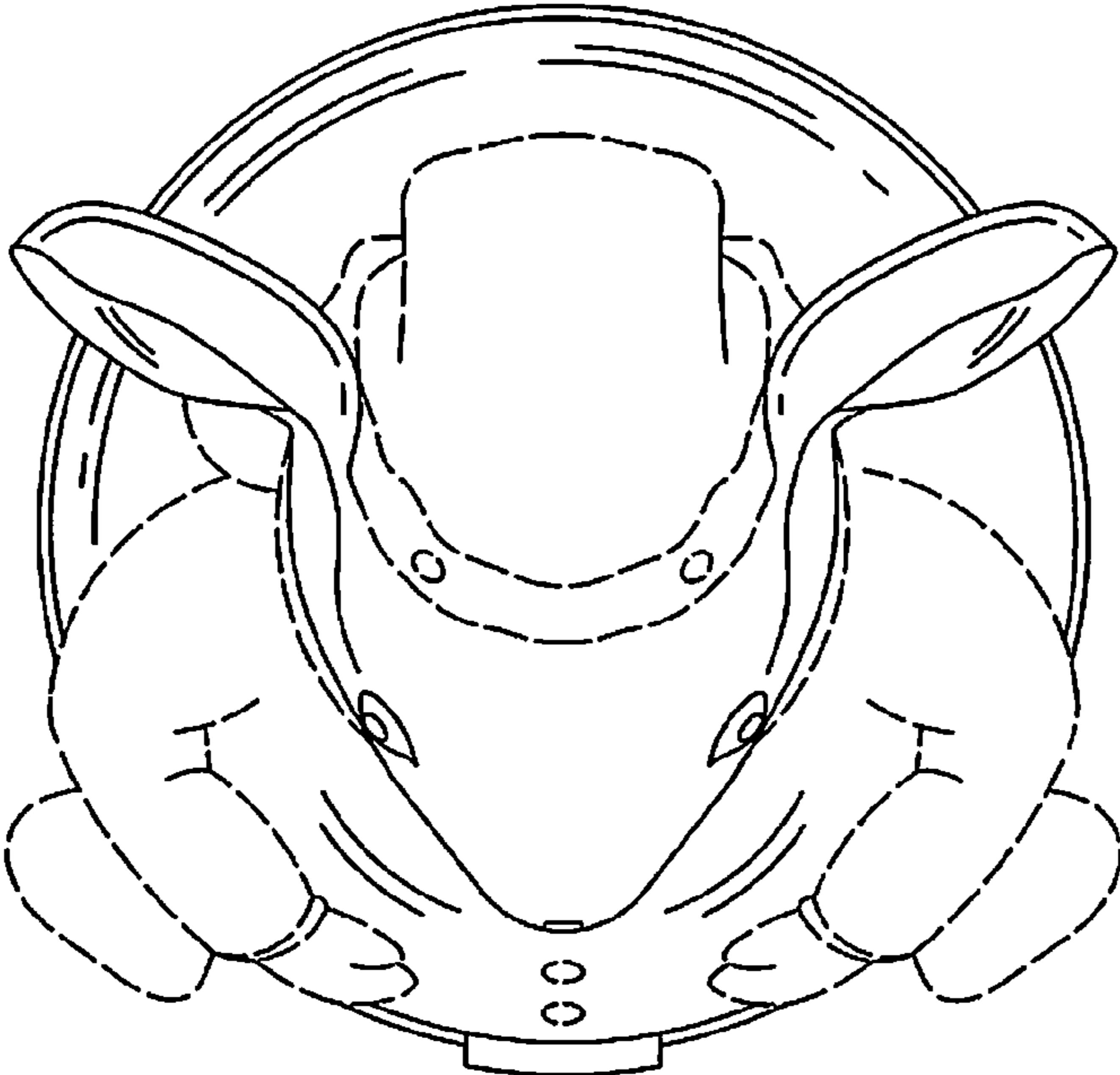


FIG. 4

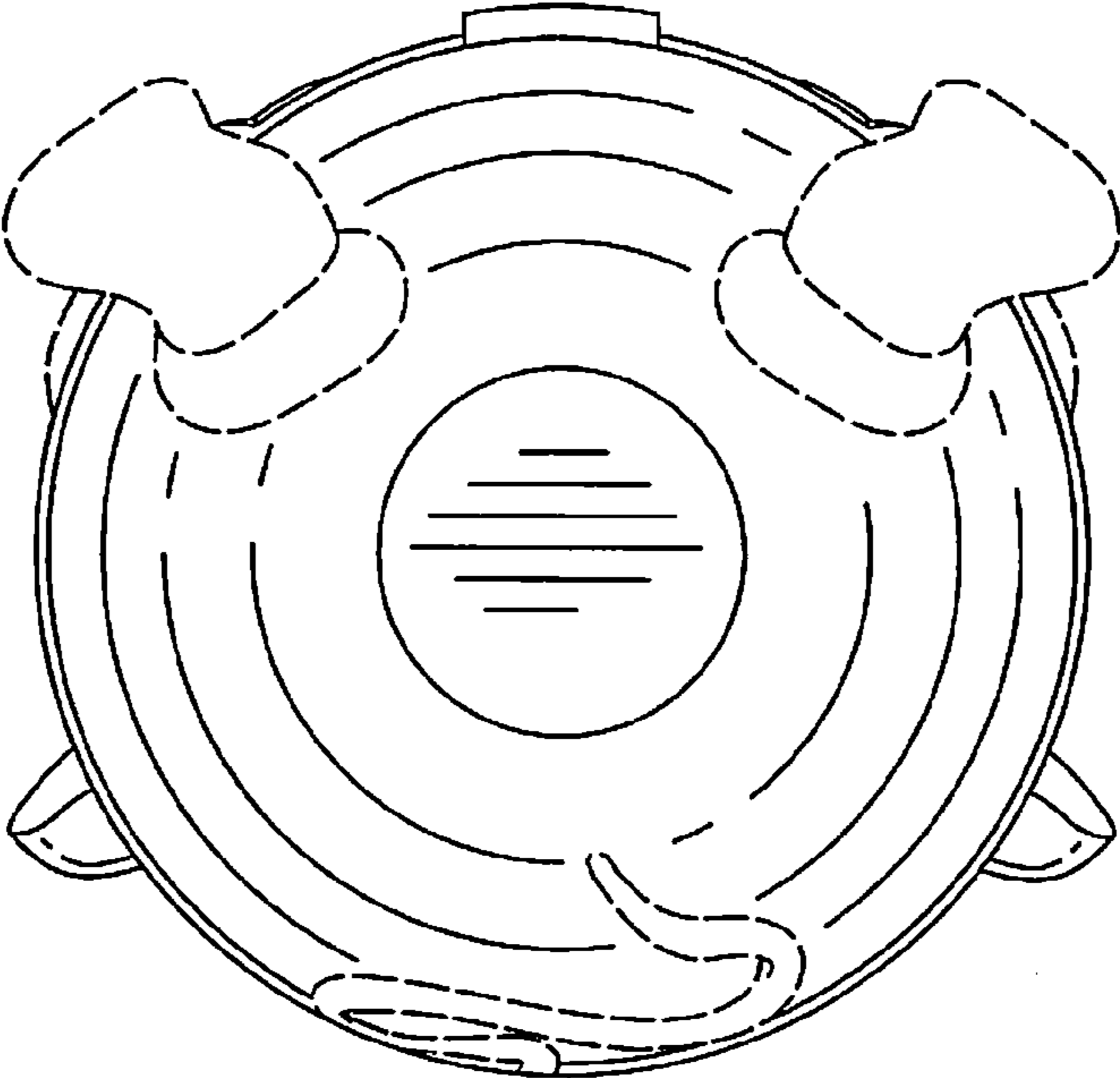


FIG. 5

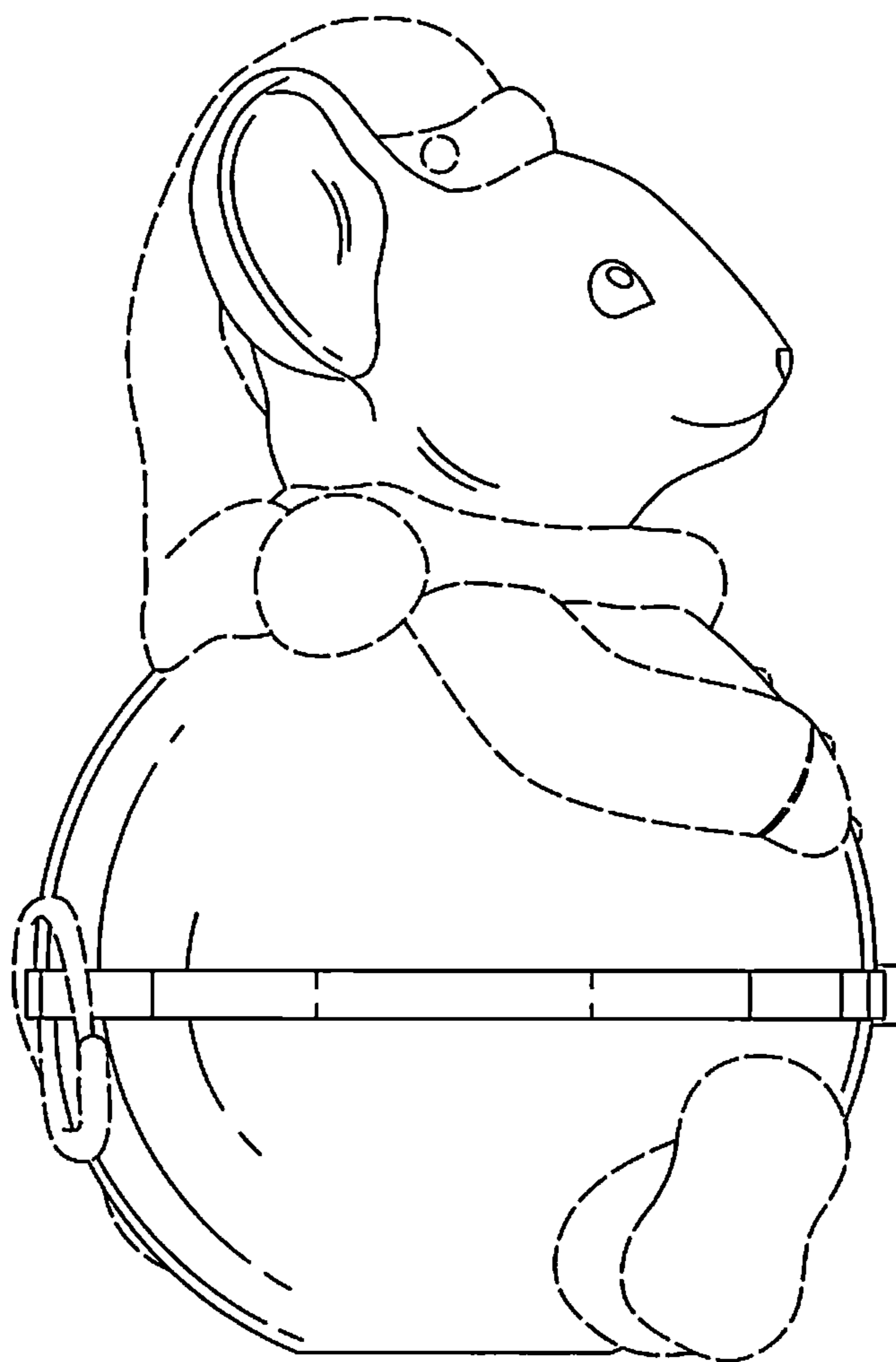


FIG. 6

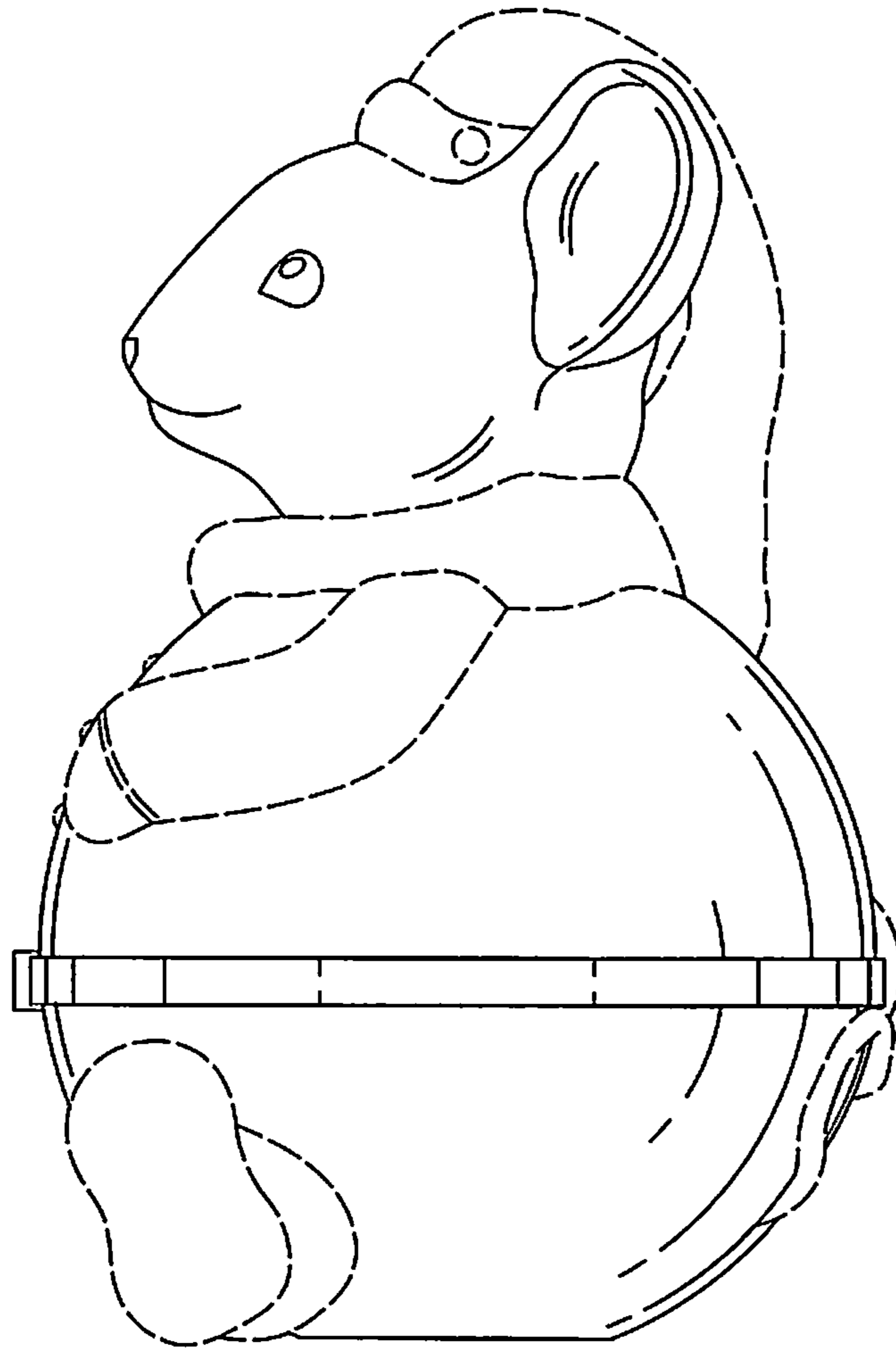


FIG. 7

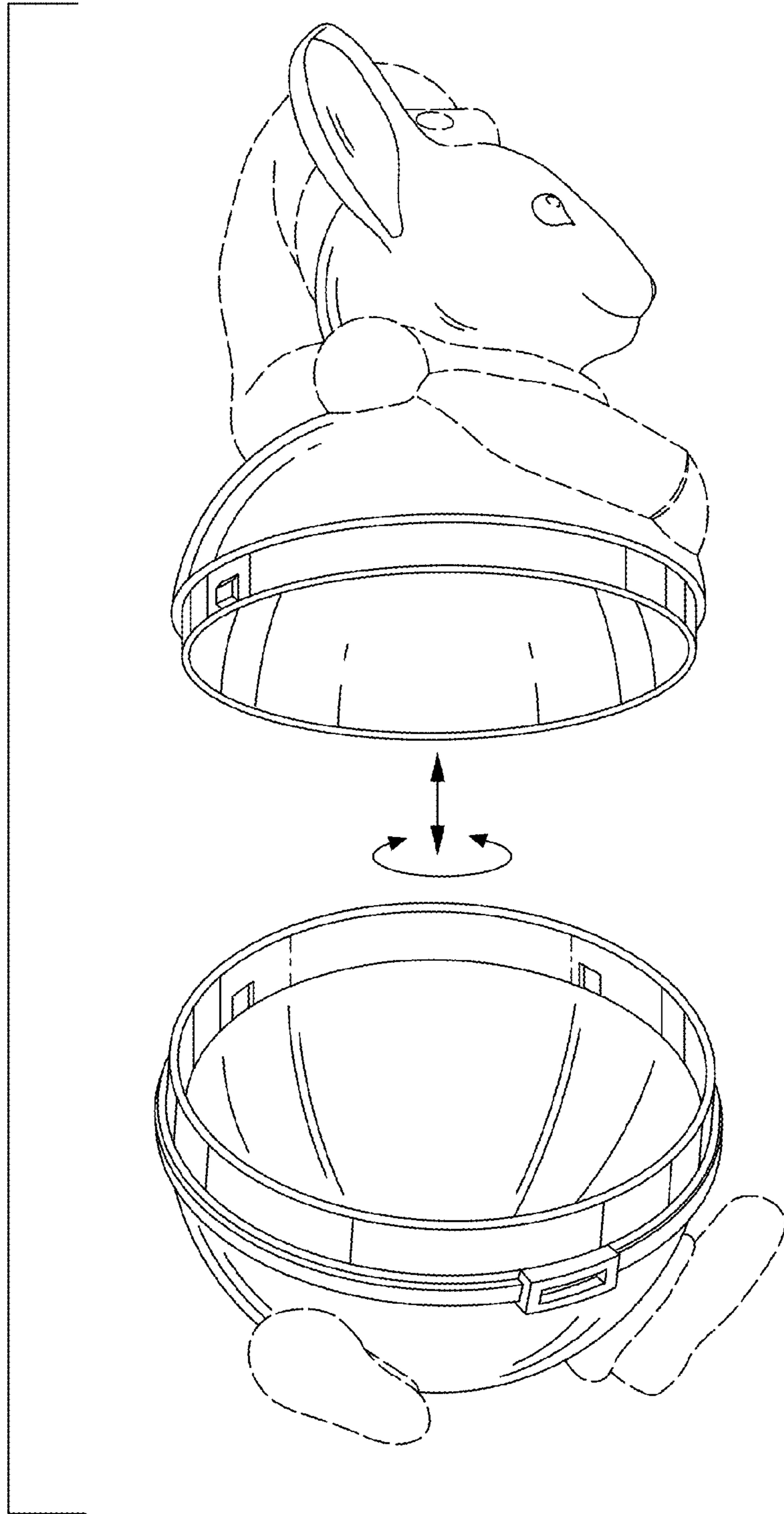


FIG. 8