



US00D710740S

(12) **United States Design Patent**  
**Schmidt**

(10) **Patent No.:** **US D710,740 S**

(45) **Date of Patent:** **\*\* Aug. 12, 2014**

(54) **RING BAND**

(71) Applicant: **Richard D. Schmidt**, Milwaukee, WI  
(US)

(72) Inventor: **Richard D. Schmidt**, Milwaukee, WI  
(US)

(\*\*) Term: **14 Years**

(21) Appl. No.: **29/444,763**

(22) Filed: **Feb. 4, 2013**

(51) **LOC (10) Cl.** ..... **11-01**

(52) **U.S. Cl.**  
USPC ..... **D11/26**

(58) **Field of Classification Search**  
USPC ..... D11/3-6, 26-39; 63/15, 15.1-15.4,  
63/15.45, 15.5, 15.6, 15.65, 15.7, 15.8,  
63/26-38, 3

See application file for complete search history.

(56) **References Cited**

**U.S. PATENT DOCUMENTS**

1,172,809 A \* 2/1916 Leno ..... 63/15  
D59,314 S \* 10/1921 Winsen ..... D11/38  
D61,982 S \* 2/1923 Lapidus ..... D11/4

D67,567 S \* 6/1925 Alterton ..... D11/26  
D273,261 S \* 4/1984 Sun ..... D7/633  
D424,965 S \* 5/2000 Gueit ..... D11/26  
D439,189 S \* 3/2001 Gueit ..... D11/26  
D454,513 S \* 3/2002 Gueit ..... D11/26  
D492,216 S \* 6/2004 Schubach ..... D11/26  
D560,135 S \* 1/2008 Kohl ..... D11/26  
D600,585 S \* 9/2009 Fox ..... D11/26  
D604,193 S \* 11/2009 Kohl ..... D11/26  
D669,811 S \* 10/2012 Hustik ..... D11/26

\* cited by examiner

*Primary Examiner* — Garth Rademaker

*Assistant Examiner* — Melanie Pellegrini

(74) *Attorney, Agent, or Firm* — Ziolkowski Patent  
Solutions Group, SC

(57) **CLAIM**

The ornamental design for a ring band, as shown and  
described.

**DESCRIPTION**

FIG. 1 is a perspective view of a ring band in accordance with  
the present invention.

FIG. 2 is a front elevational view of the finger ring of FIG. 1.

FIG. 3 is a side elevational view of the finger ring of FIG. 1.

FIG. 4 is a bottom view of the finger ring of FIG. 1; and,

FIG. 5 is a top view of the finger ring of FIG. 1.

**1 Claim, 1 Drawing Sheet**

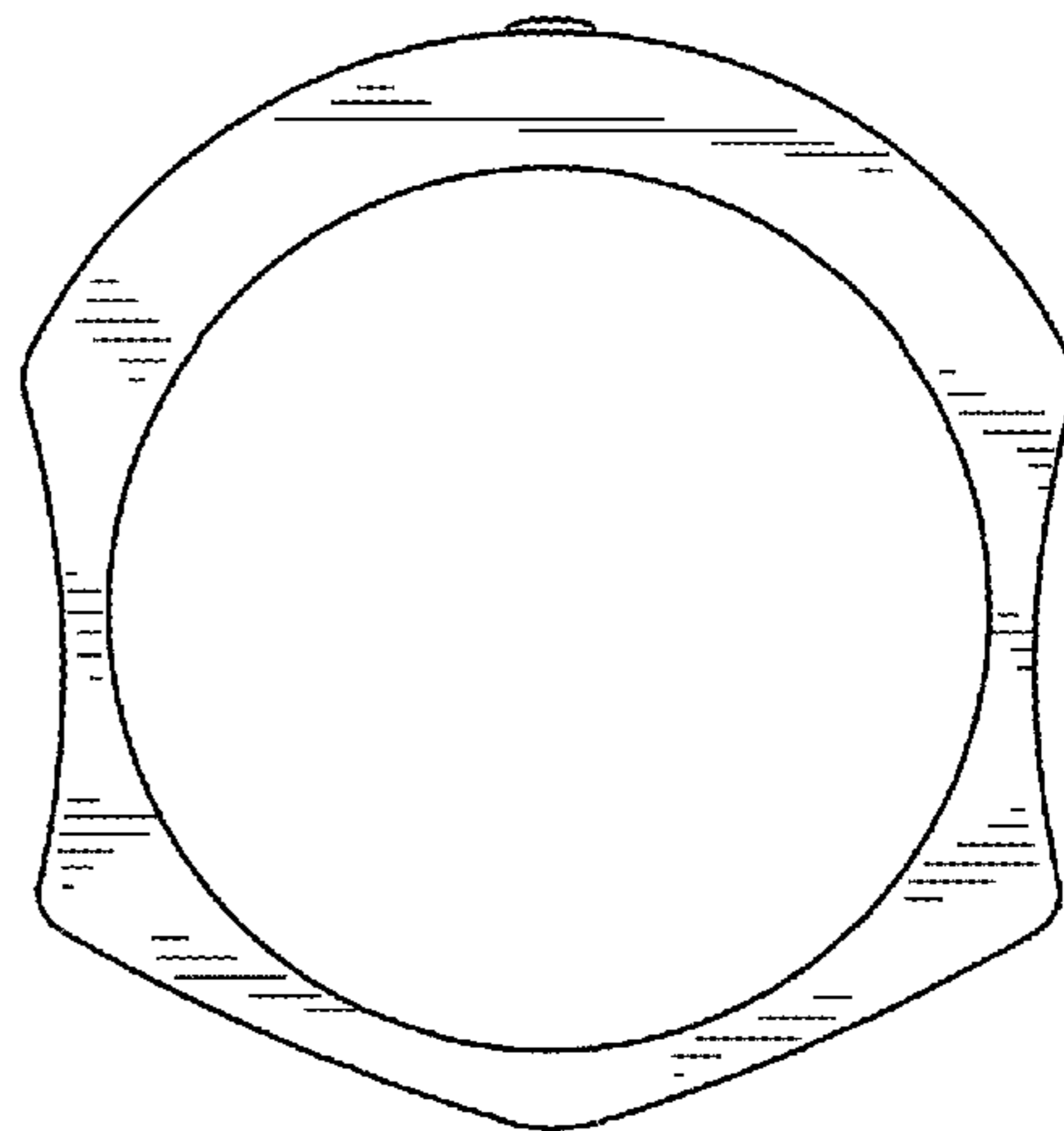
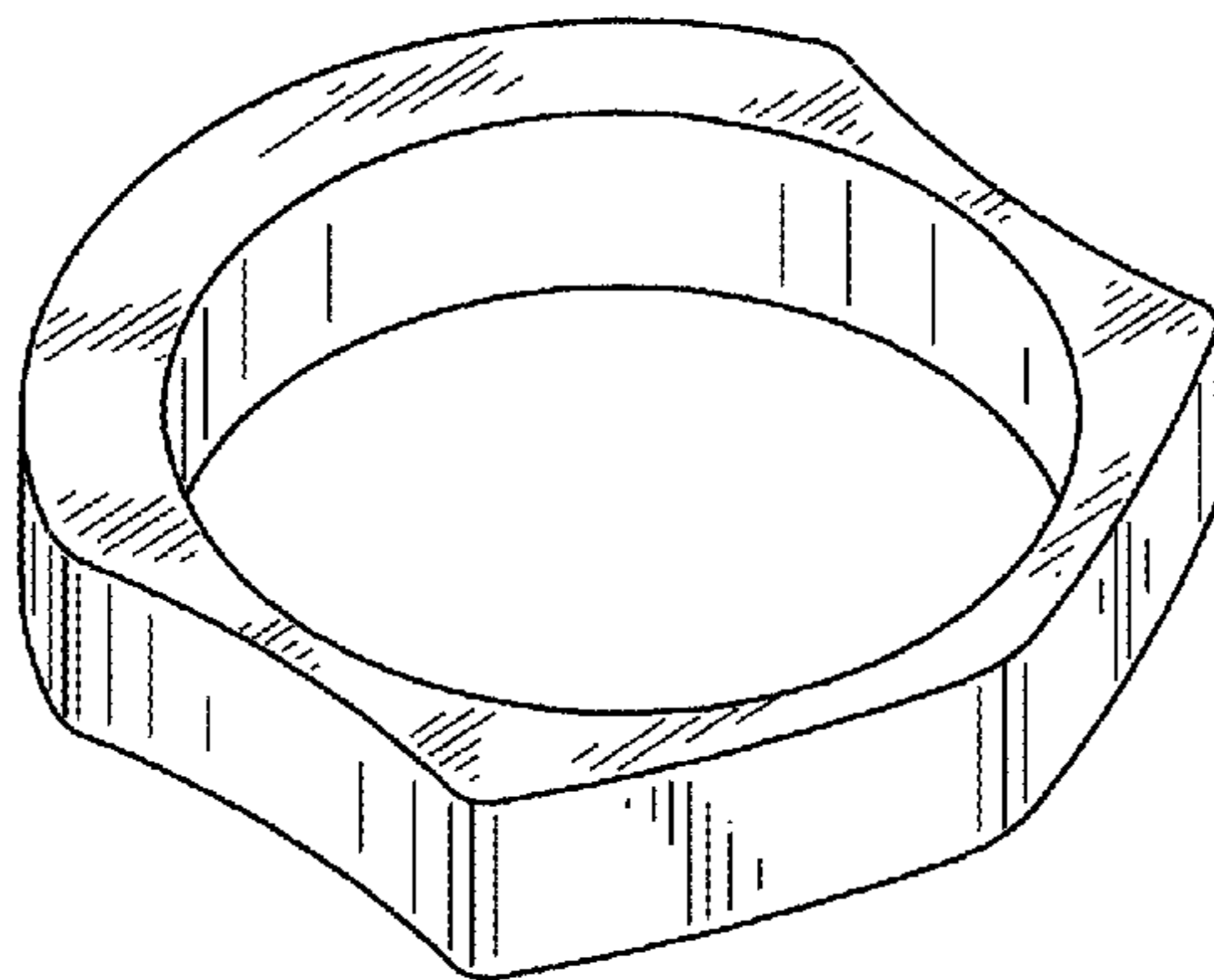


FIG. 1

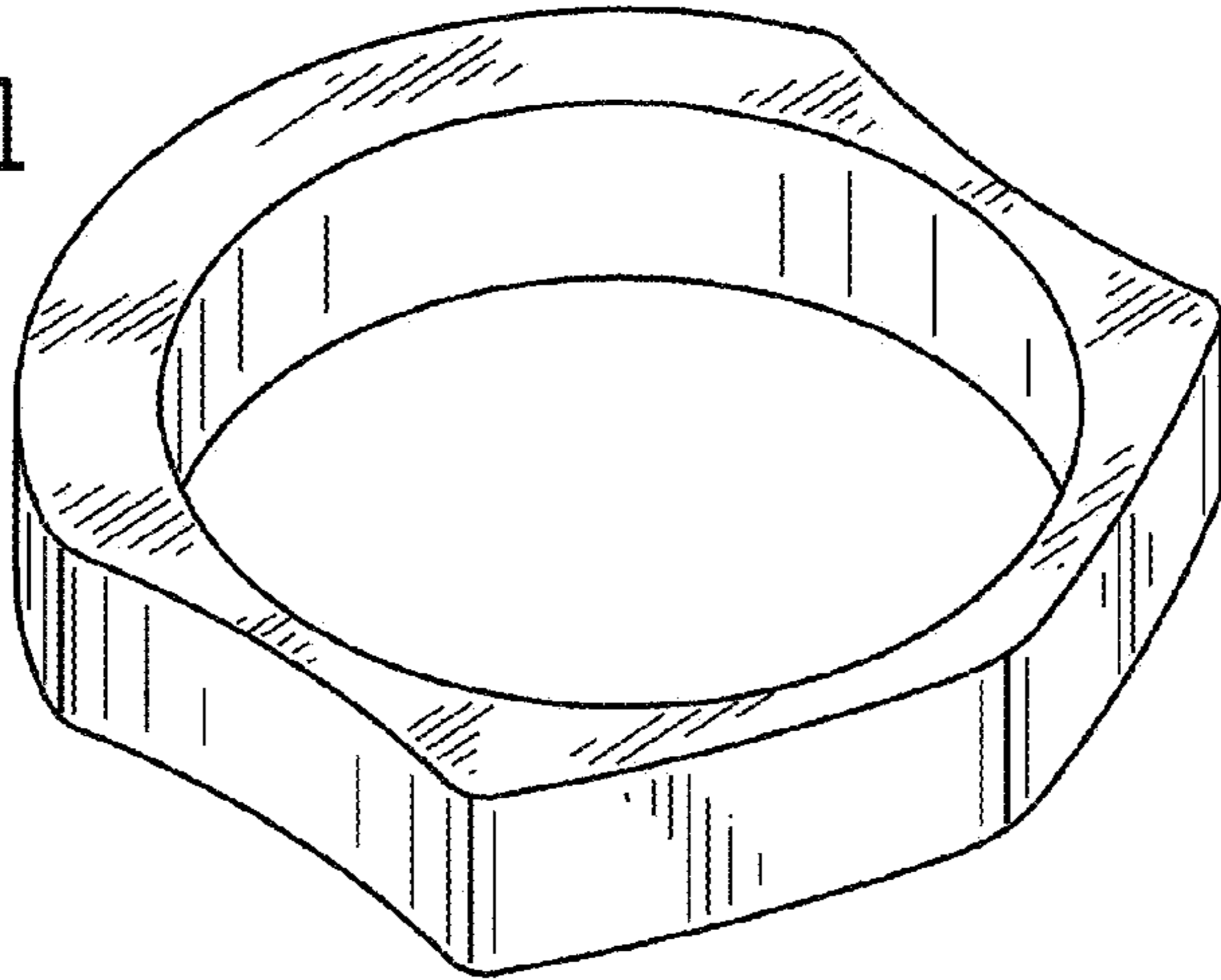


FIG. 2

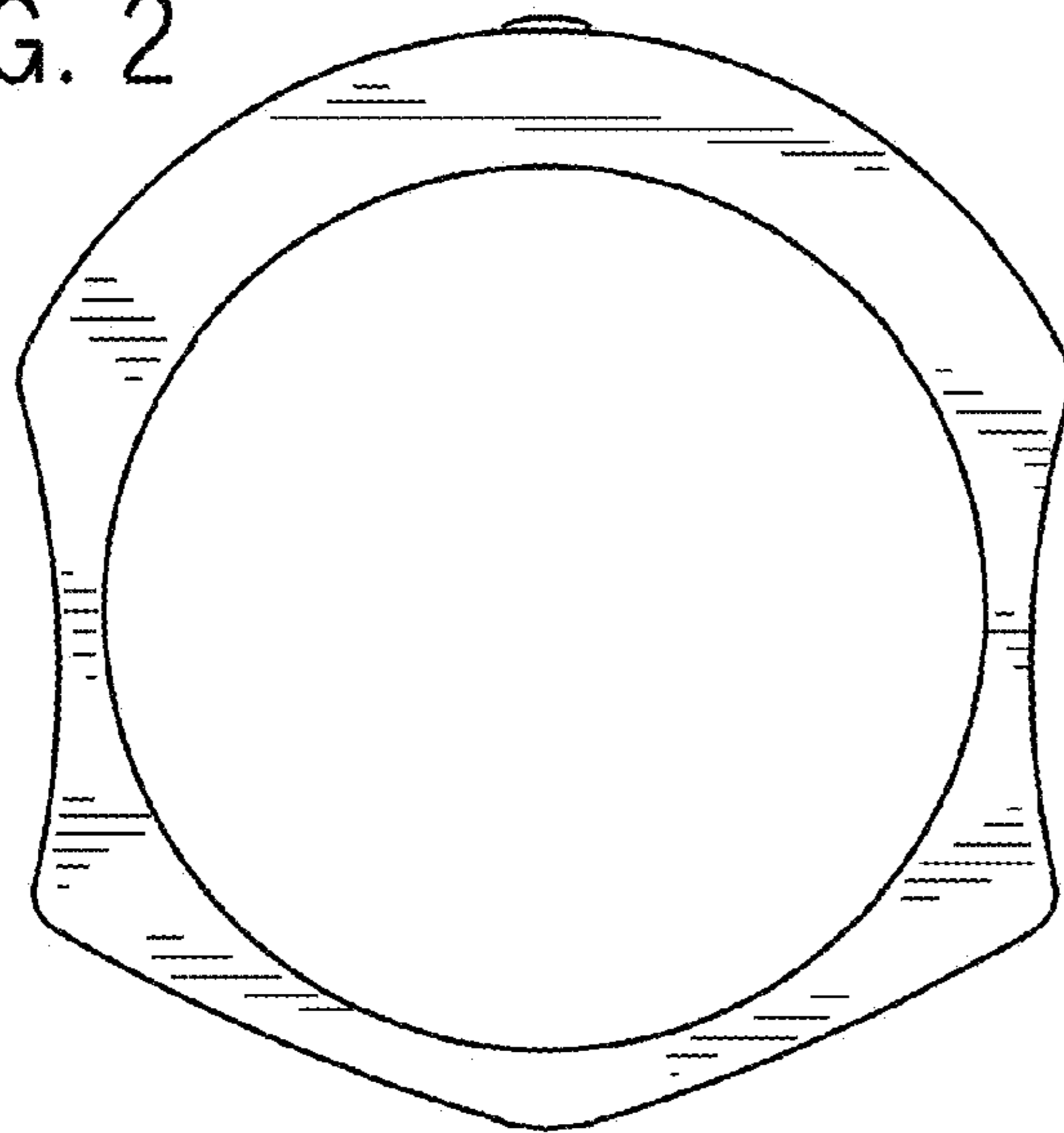


FIG. 3

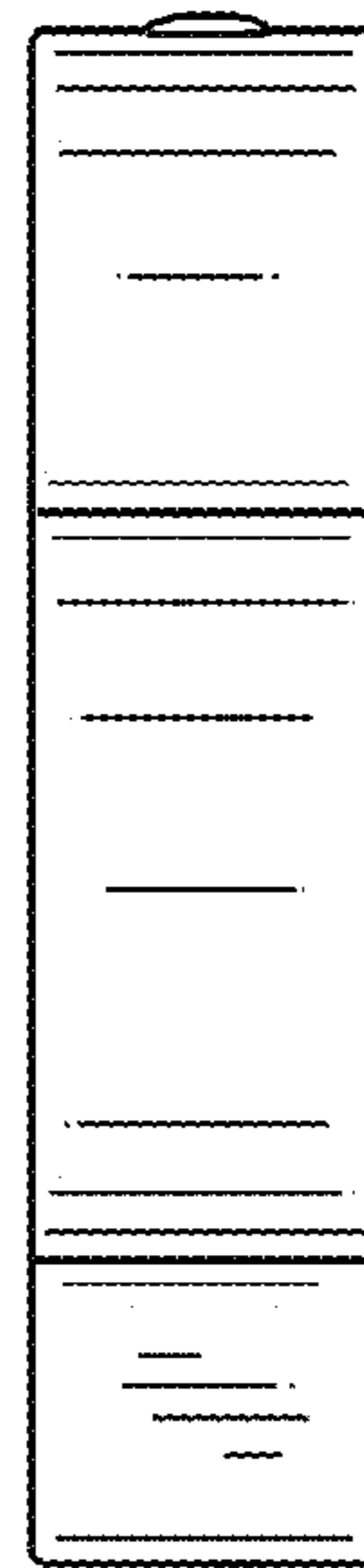


FIG. 4

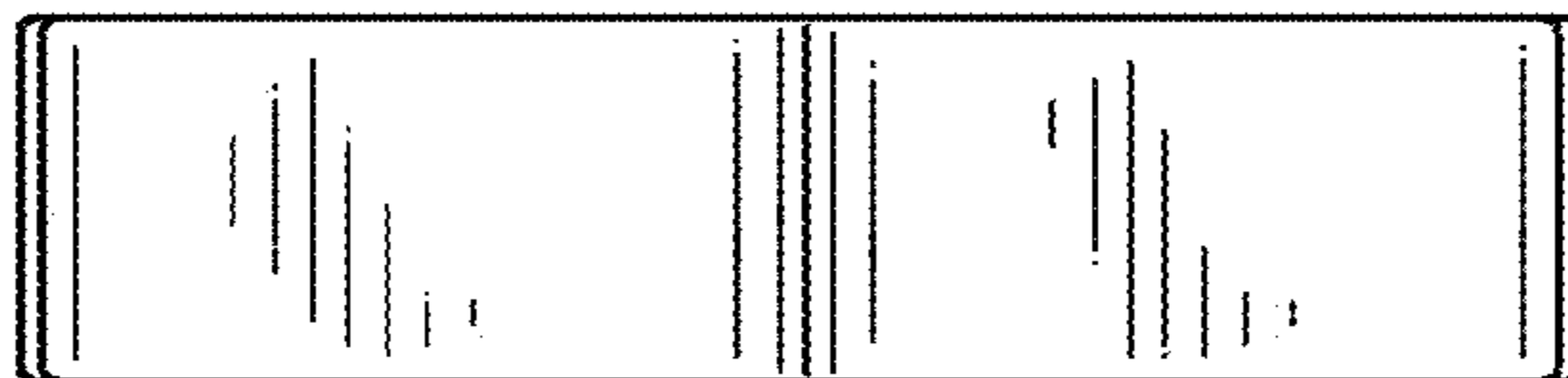


FIG. 5

