



US00D710739S

(12) **United States Design Patent**
Miller

(10) **Patent No.:** **US D710,739 S**

(45) **Date of Patent:** **** Aug. 12, 2014**

(54) **WEARABLE DEVICE**

(76) Inventor: **Martin E. Miller**, Edgewater, MD (US)

(**) Term: **14 Years**

(21) Appl. No.: **29/371,778**

(22) Filed: **Sep. 21, 2011**

(51) **LOC (10) Cl.** **11-01**

(52) **U.S. Cl.**
USPC **D11/5**

(58) **Field of Classification Search**
USPC D11/1-25, 26-39; 63/3, 3.1, 3.2, 5,
63/15.1-15.4, 15.45, 15.5, 15.6, 15.65
See application file for complete search history.

(56) **References Cited**

U.S. PATENT DOCUMENTS

| | | | | |
|-----------|-----|---------|--------------------|--------|
| 1,019,445 | A * | 3/1912 | Feid | 63/11 |
| 1,726,773 | A * | 9/1929 | Speidel | 63/11 |
| 4,387,838 | A | 6/1983 | Jackson | |
| 4,406,296 | A | 9/1983 | Wexler et al. | |
| 4,587,956 | A | 5/1986 | Griffin et al. | |
| 4,616,436 | A * | 10/1986 | De Woskin | 40/633 |
| 4,847,729 | A | 7/1989 | Hee | |
| 4,878,274 | A * | 11/1989 | Patricy | 24/306 |
| D317,730 | S * | 6/1991 | Mo | D11/5 |
| 5,245,732 | A | 9/1993 | Johnston | |
| D344,038 | S * | 2/1994 | Phillips et al. | D11/5 |
| 5,358,144 | A | 10/1994 | Mock | |
| 5,410,784 | A | 5/1995 | Katz | |
| 5,599,283 | A | 2/1997 | Lindenmeyer et al. | |
| D381,046 | S * | 7/1997 | Hiers et al. | D11/5 |
| 5,653,197 | A | 8/1997 | Massaro et al. | |
| D390,492 | S * | 2/1998 | Riley | D11/5 |
| 5,762,241 | A | 6/1998 | Cross | |
| 5,779,033 | A | 7/1998 | Roegner | |
| 5,785,217 | A | 7/1998 | Gorham, Jr. | |
| 5,844,244 | A | 12/1998 | Graf et al. | |

| | | | | |
|--------------|-----|---------|-------------------|---------|
| 5,899,369 | A * | 5/1999 | Macripo | 223/111 |
| D432,446 | S * | 10/2000 | Santos | D11/5 |
| D438,812 | S * | 3/2001 | Bert | D11/3 |
| 6,199,218 | B1 | 3/2001 | Michael | |
| 6,216,490 | B1 | 4/2001 | Radley-Smith | |
| 6,422,177 | B1 | 7/2002 | Noguero | |
| 6,484,910 | B1 | 11/2002 | Korkos | |
| 6,571,577 | B2 | 6/2003 | Radley-Smith | |
| 6,578,982 | B1 | 6/2003 | Lynch | |
| D481,325 | S * | 10/2003 | Hill | D11/3 |
| 6,707,659 | B2 | 3/2004 | Hee | |
| D497,826 | S * | 11/2004 | Nelson | D11/3 |
| 7,070,322 | B1 | 7/2006 | Field et al. | |
| D547,228 | S * | 7/2007 | Rozsavolgyi | D11/5 |
| D548,129 | S * | 8/2007 | Fineide | D11/5 |
| D563,256 | S * | 3/2008 | Borraccino et al. | D11/3 |
| 7,441,415 | B2 | 10/2008 | Radley-Smith | |
| D593,891 | S * | 6/2009 | Di Grazia | D11/3 |
| 2002/0162355 | A1 | 11/2002 | Andersen | |
| 2003/0099162 | A1 | 5/2003 | Field et al. | |
| 2004/0093897 | A1 | 5/2004 | Weissbuch | |
| 2005/0022554 | A1 | 2/2005 | Davidson et al. | |
| 2007/0015129 | A1 | 1/2007 | Connell | |
| 2009/0271958 | A1 | 11/2009 | Kirshbaum | |

(Continued)

Primary Examiner — Jennifer Rivard
Assistant Examiner — Melanie Pellegrini

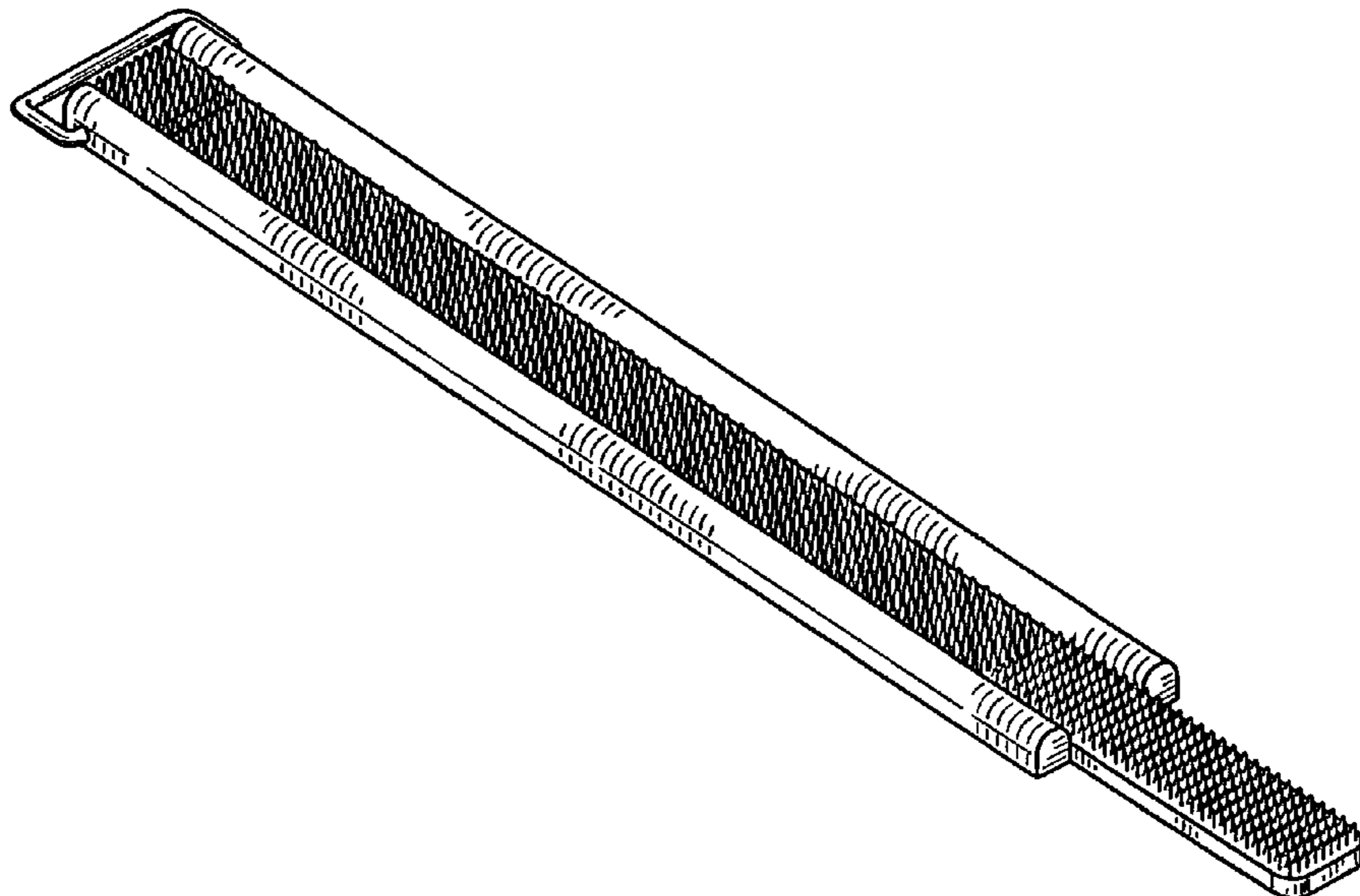
(57) **CLAIM**

The ornamental design for a wearable device, as shown and described.

DESCRIPTION

FIG. 1 is a top view of a wearable device of my new design; FIG. 2 is a bottom view thereof; FIG. 3 is a right side elevational view thereof; and, FIG. 4 is a top and right side perspective view thereof. The broken lines shown in the drawings illustrate portions of the article form no part of the claimed design.

1 Claim, 2 Drawing Sheets



(56)

References Cited

U.S. PATENT DOCUMENTS

2009/0321483 A1 12/2009 Froloff
2010/0014045 A1 1/2010 MacCallum

2011/0048071 A1 3/2011 Campbel
2011/0106227 A1 5/2011 Desiderio et al.
2011/0132181 A1 6/2011 Kockovic

* cited by examiner

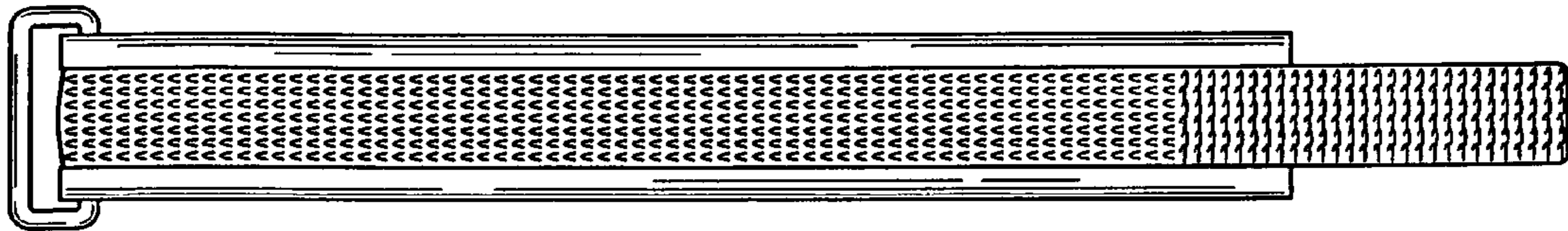


FIG. 1

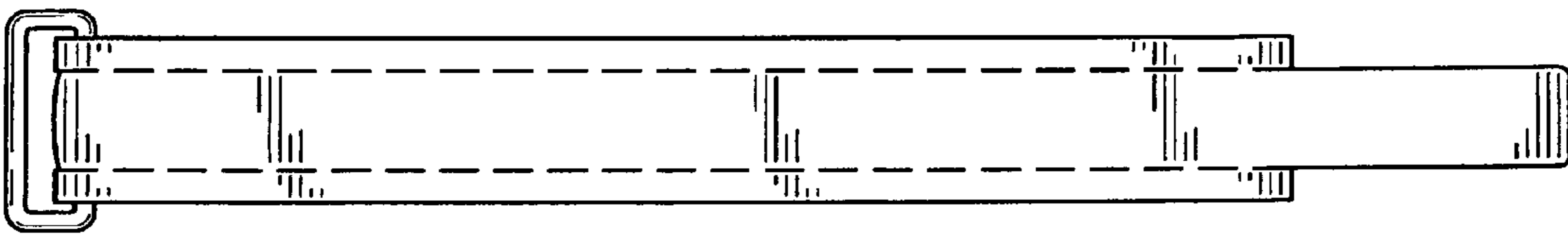


FIG. 2

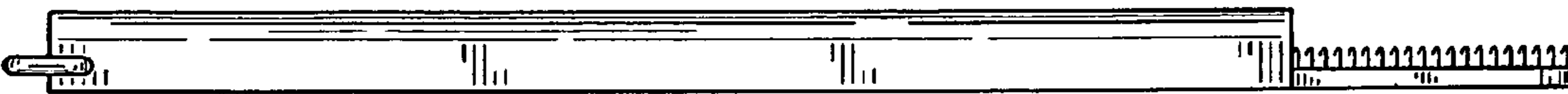


FIG. 3

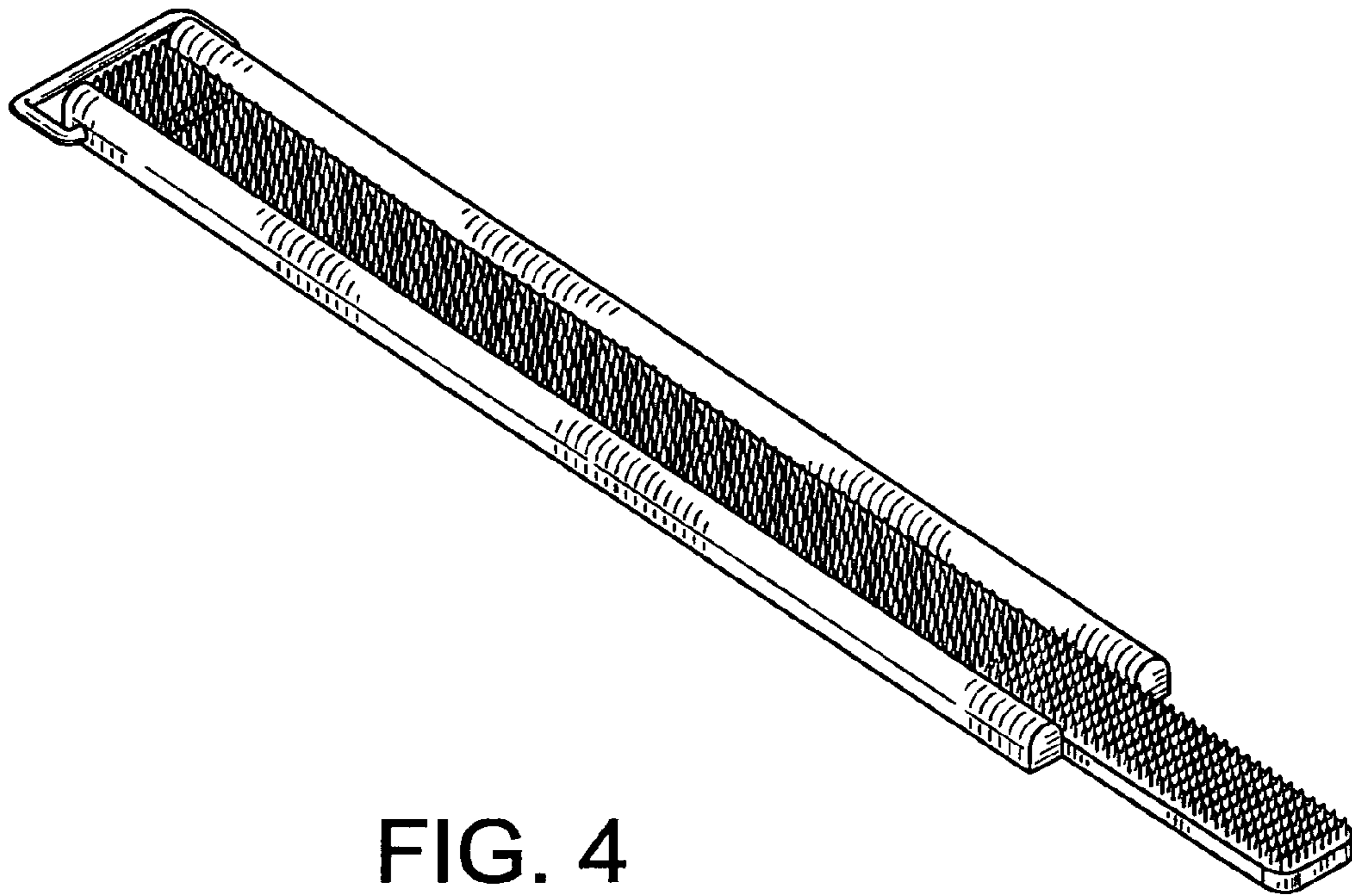


FIG. 4