



US00D710726S

(12) **United States Design Patent**
Neufeglise

(10) **Patent No.:** **US D710,726 S**

(45) **Date of Patent:** **** Aug. 12, 2014**

(54) **LIGHT BAR HOUSING**

(71) Applicant: **Star Headlight & Lantern Co., Inc.**,
Avon, NY (US)

(72) Inventor: **Steven W. Neufeglise**, Rochester, NY
(US)

(73) Assignee: **Star Headlight & Lantern Co., Inc.**,
Avon, NY (US)

(**) Term: **14 Years**

(21) Appl. No.: **29/482,016**

(22) Filed: **Feb. 12, 2014**

(51) **LOC (10) Cl.** **10-05**

(52) **U.S. Cl.**
USPC **D10/114.4**

(58) **Field of Classification Search**
USPC D10/109.1, 114.1-114.4; D26/72, 85,
D26/24, 28, 76; 362/154, 109, 544
See application file for complete search history.

(56) **References Cited**

U.S. PATENT DOCUMENTS

D246,330 S *	11/1977	Krase et al.	D26/76
D483,505 S	12/2003	Schwerdtmann	
D483,888 S	12/2003	Pokorny et al.	
D489,144 S	4/2004	Dalton, Jr.	
D509,919 S	9/2005	Durgan et al.	
6,966,682 B2 *	11/2005	Frank et al.	362/544
D520,156 S	5/2006	Campagna	
D523,165 S *	6/2006	Schultz	D26/76
D530,029 S	10/2006	Neufeglise et al.	
D530,437 S	10/2006	Neufeglise et al.	
D558,379 S *	12/2007	Citterio	D26/76
D579,139 S *	10/2008	Ghini	D26/76
D581,074 S	11/2008	Starr	

D615,223 S *	5/2010	Huang	D26/28
D619,292 S *	7/2010	Pei et al.	D26/76
D627,905 S *	11/2010	Swafford et al.	D26/24
D680,894 S *	4/2013	Yu	D10/114.4
D682,722 S *	5/2013	Yu	D10/114.2

OTHER PUBLICATIONS

Installation and Instruction Manual, Star Mini Phantom, Star Headlight & Lantern Co., Inc., 2012.

* cited by examiner

Primary Examiner — George D Kirschbaum

(74) *Attorney, Agent, or Firm* — Kenneth J. Lukacher Law Group

(57) **CLAIM**

The ornamental design for a light bar housing, as shown and described.

DESCRIPTION

FIG. 1 is a perspective view looking downwardly from the right side of the front of the housing for an light bar mountable within a vehicle which embodies our invention in which the optics of the light bar are shown removed;

FIG. 2 is a plan view of the front thereof;

FIG. 3 is an elevational view from the top thereof;

FIG. 4 is a right end view thereof, the left end view thereof being identical thereto;

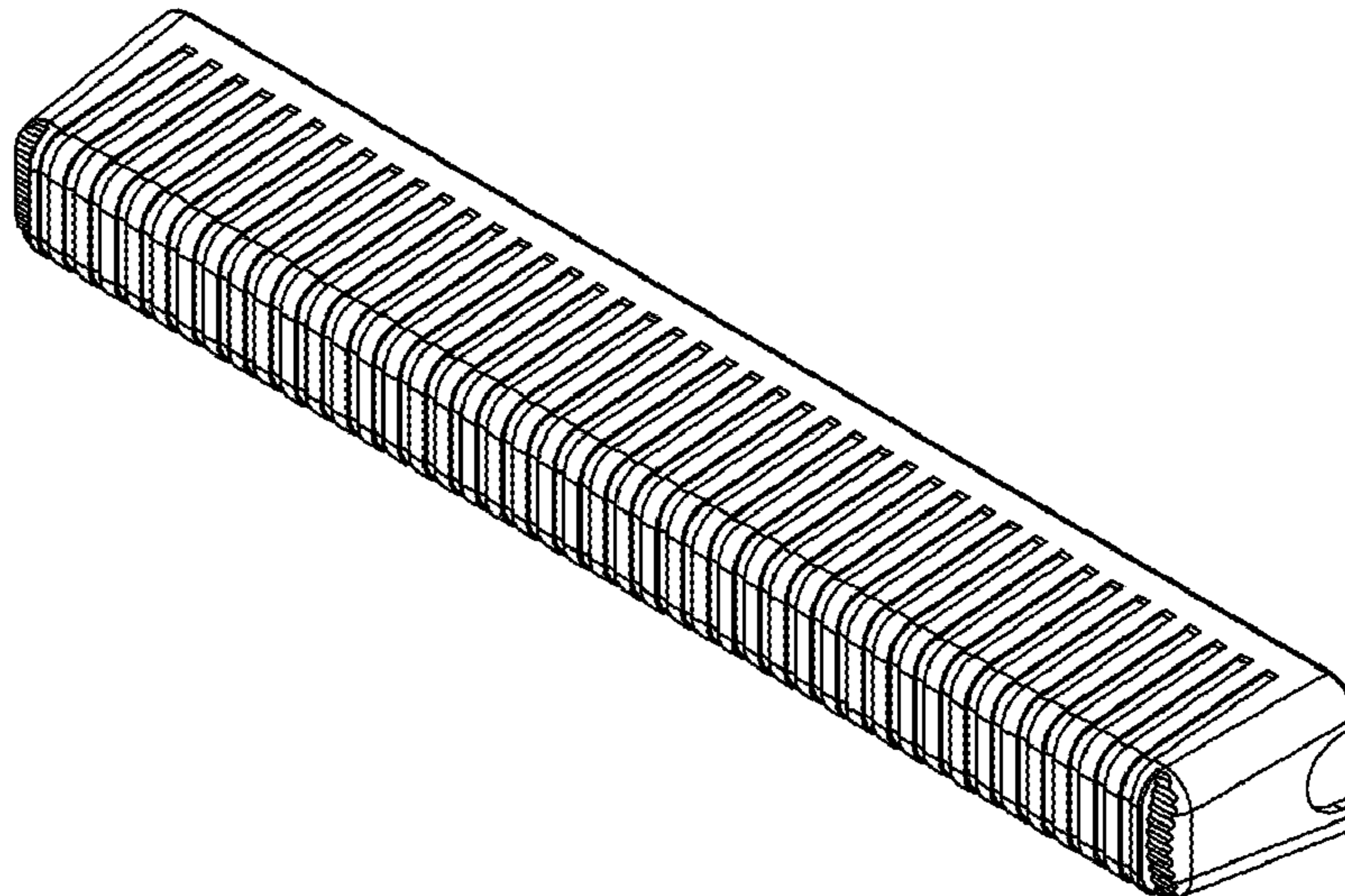
FIG. 5 is a plan view of the back thereof; and

FIG. 6 is an elevational view from the bottom thereof; and,

FIG. 7 is a perspective view looking downwardly from the left side of the back thereof.

The dashed lines in FIGS. 1 and 2 are internal features for mounting optics and form no part of the claimed design.

1 Claim, 2 Drawing Sheets



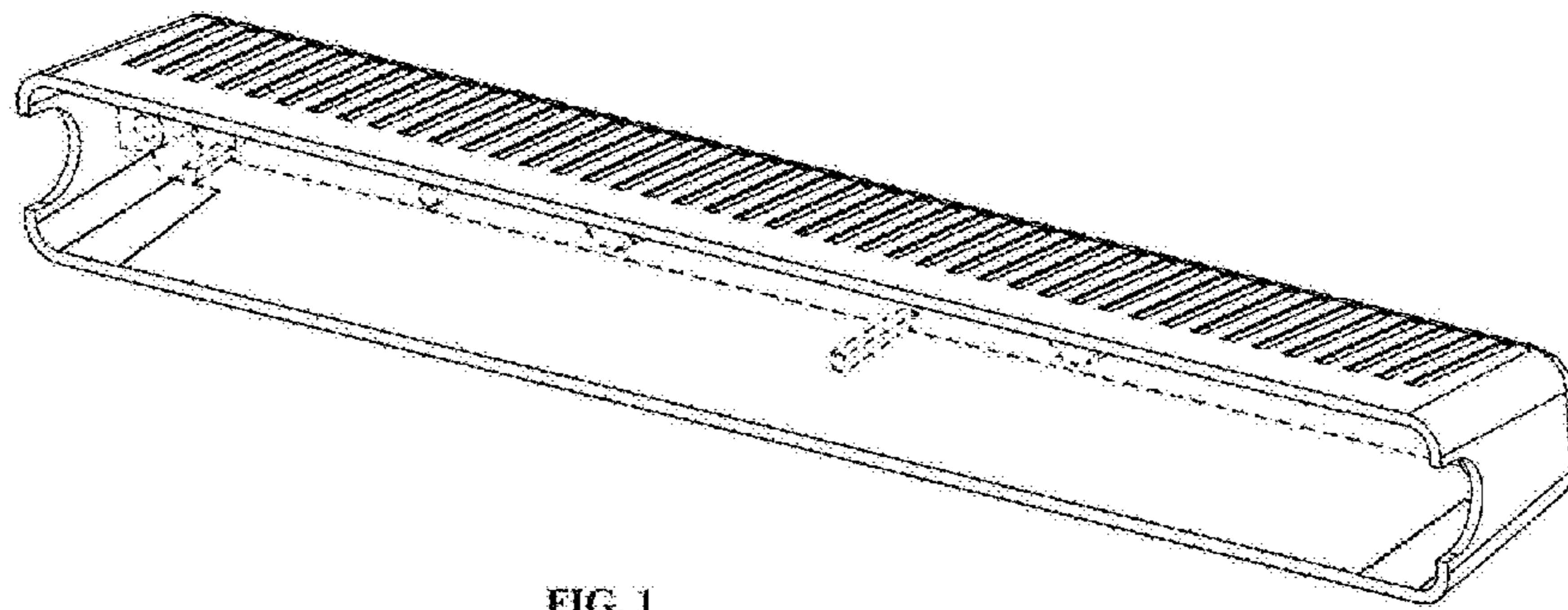


FIG. 1

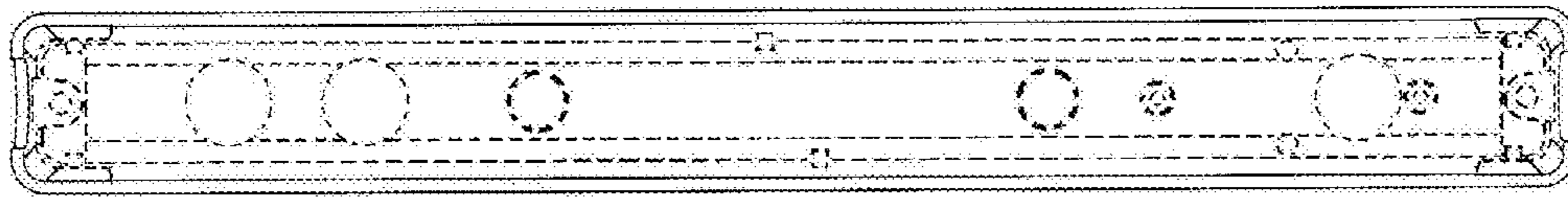


FIG. 2

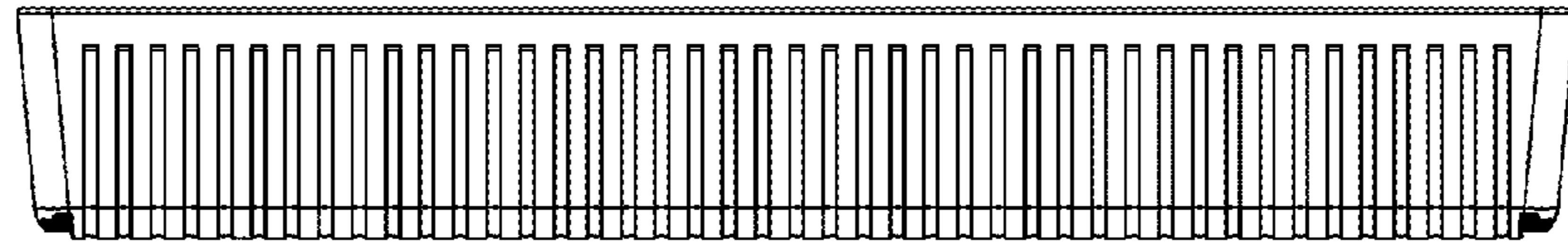


FIG. 3

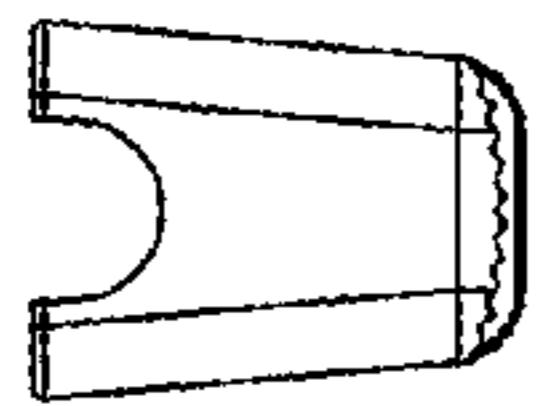


FIG. 4

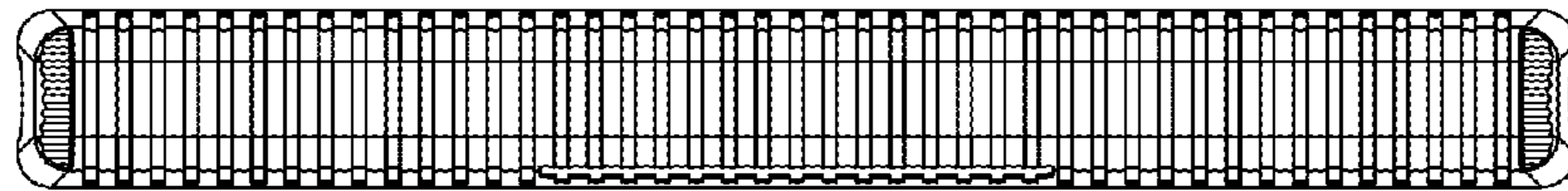


FIG. 5

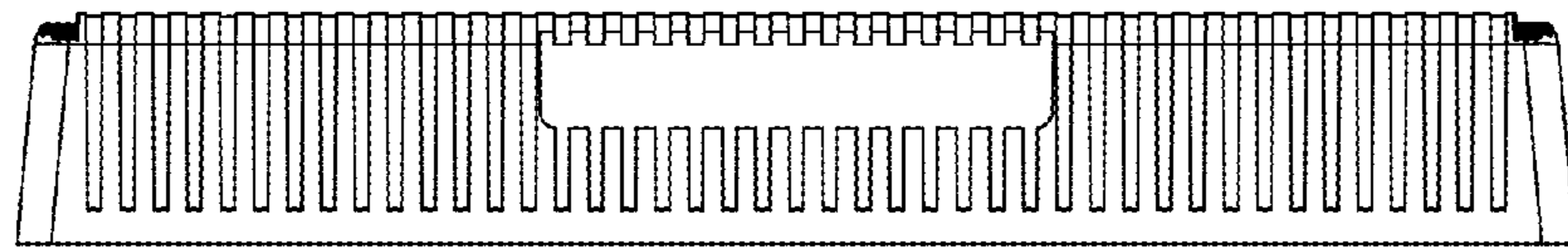


FIG. 6

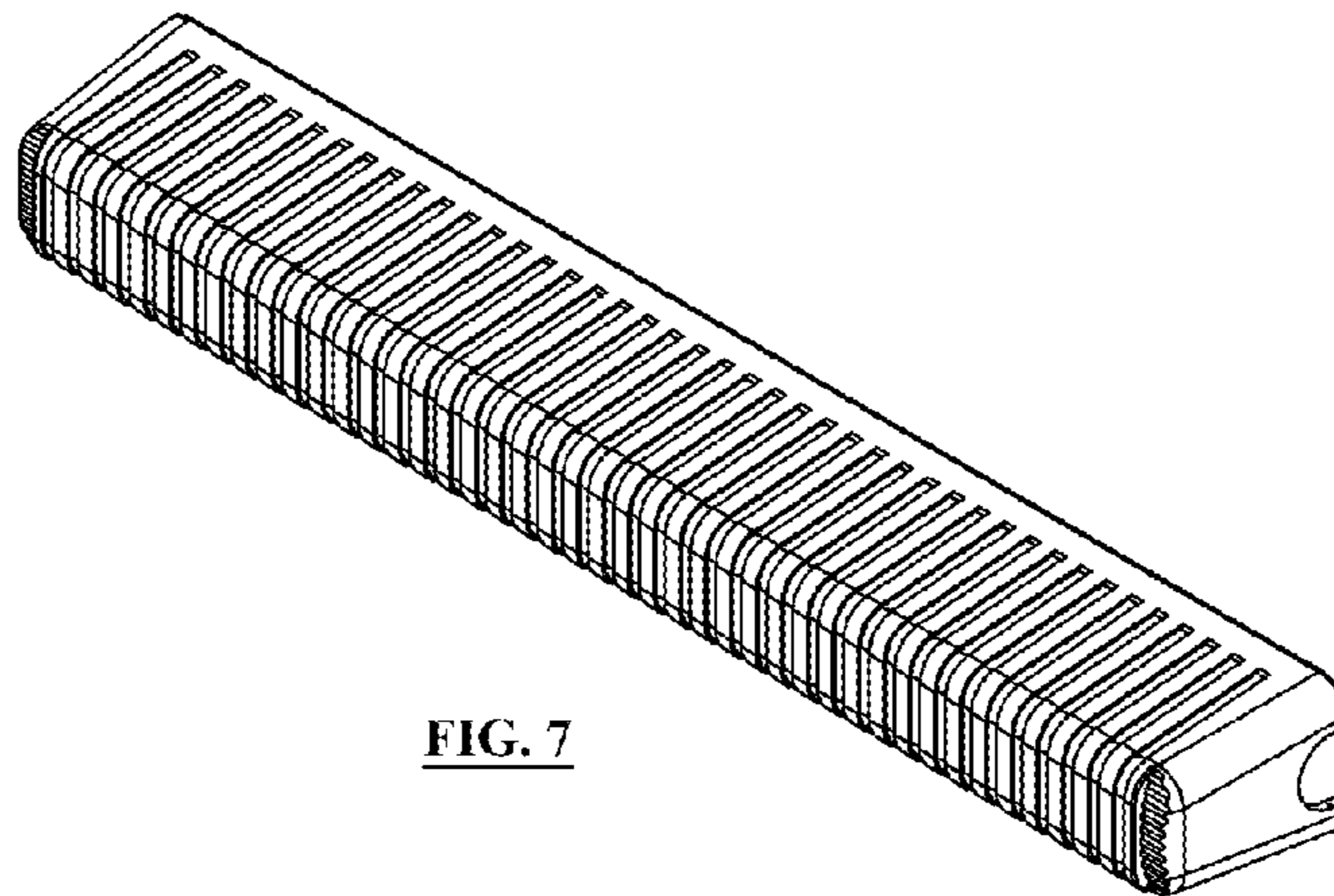


FIG. 7