



US00D710725S

(12) **United States Design Patent**
Laarman et al.

(10) **Patent No.:** **US D710,725 S**

(45) **Date of Patent:** **** Aug. 12, 2014**

(54) **EMERGENCY LIGHT**

(71) Applicant: **SoundOff Signal, Inc.**, Hudsonville, MI
(US)

(72) Inventors: **Jeremy Laarman**, Hudsonville, MI
(US); **Scott Doenges**, Hudsonville, MI
(US)

(73) Assignee: **SoundOff Signal, Inc.**, Hudsonville, MI
(US)

(**) Term: **14 Years**

(21) Appl. No.: **29/479,491**

(22) Filed: **Jan. 16, 2014**

(51) **LOC (10) Cl.** **10-05**

(52) **U.S. Cl.**
USPC **D10/114.2**

(58) **Field of Classification Search**
USPC D10/109.1, 114.1-114.4; D26/72, 85,
D26/24, 28, 76; 362/154, 109
See application file for complete search history.

(56) **References Cited**

U.S. PATENT DOCUMENTS

D523,165 S * 6/2006 Schultz D26/76
D525,894 S * 8/2006 Chiang et al. D10/114.1
D608,043 S * 1/2010 Ko D26/76

D615,223 S * 5/2010 Huang D26/28
D627,905 S * 11/2010 Swafford et al. D26/24
D659,040 S * 5/2012 Reinbach D10/114.3
D663,228 S * 7/2012 Reinbach D10/114.4
D680,894 S * 4/2013 Yu D10/114.4
D682,722 S * 5/2013 Yu D10/114.2

* cited by examiner

Primary Examiner — George D Kirschbaum

(74) *Attorney, Agent, or Firm* — McGarry Bair PC

(57) **CLAIM**

The ornamental design for an emergency light, as shown and described.

DESCRIPTION

FIG. 1 is a top, front, right perspective view of an emergency light which embodies my design;

FIG. 2 is a front view thereof;

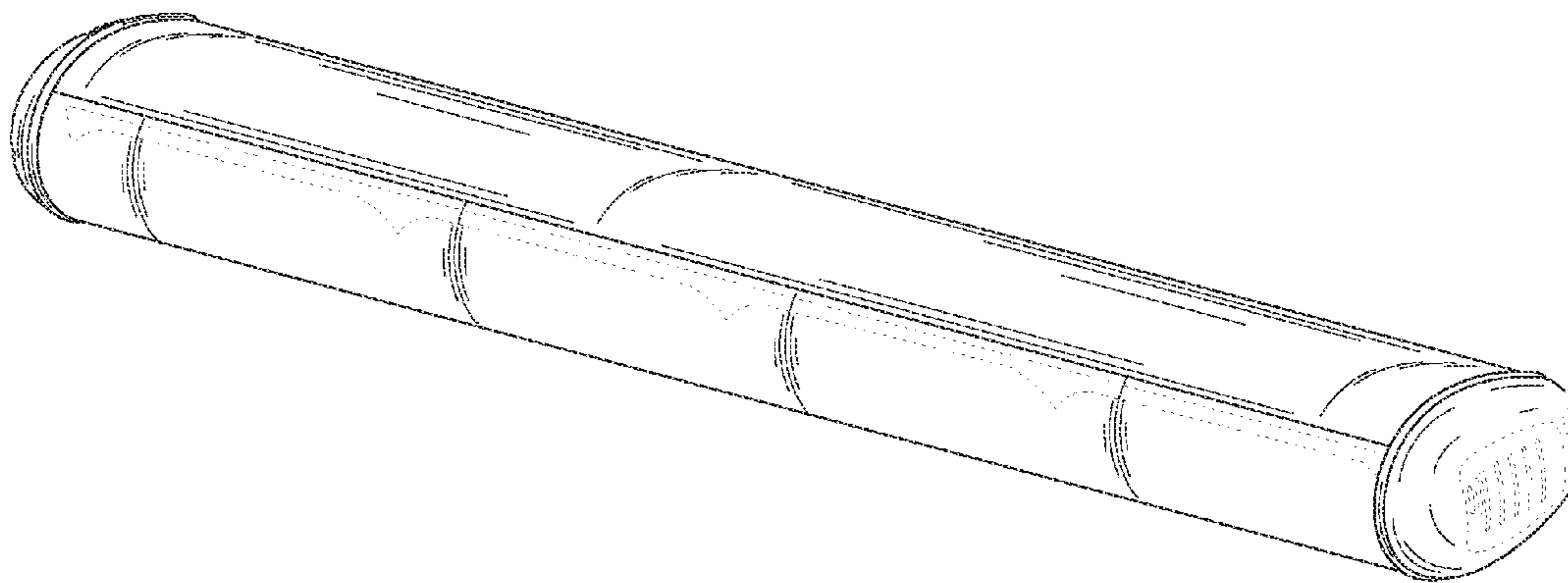
FIG. 3 is a rear view thereof;

FIG. 4 is a right side view thereof, the left side view is a mirror image thereof; and,

FIG. 5 is a top view thereof.

The environmental structure shown in broken lines forms no part of the claimed design. All portions shown in broken lines that do not include surface shading form no part of the claimed design.

1 Claim, 2 Drawing Sheets



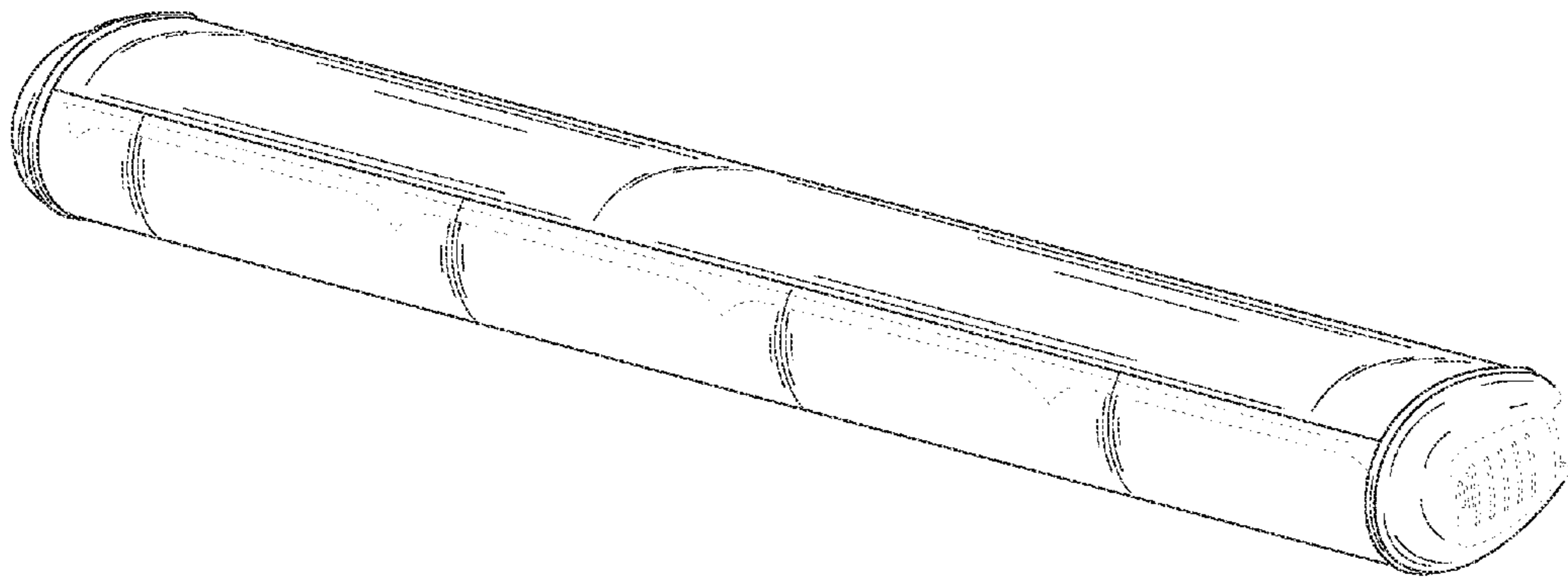


FIG. 1

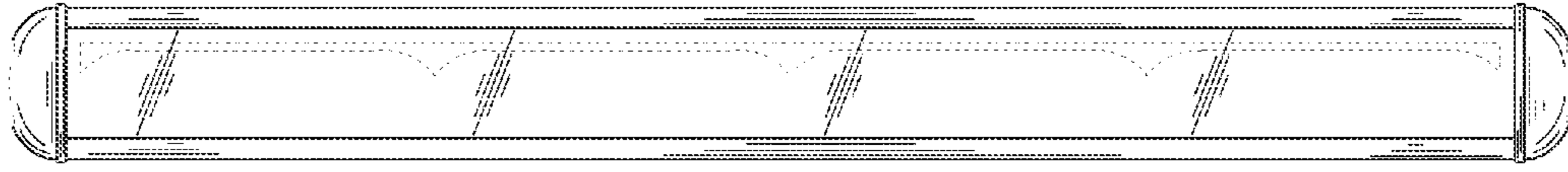


FIG. 2

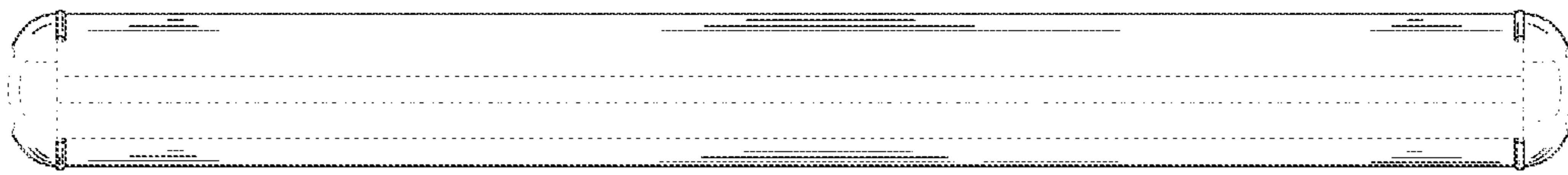


FIG. 3

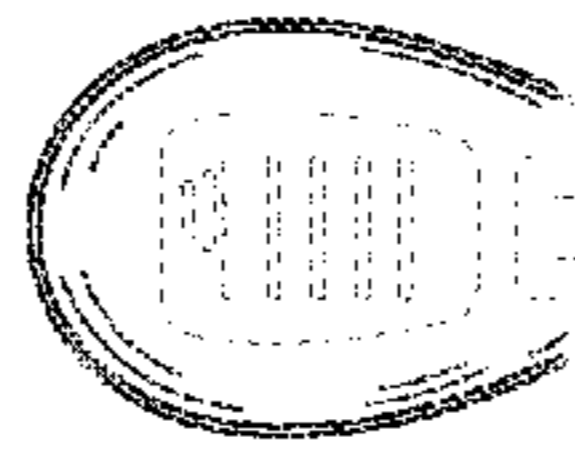


FIG. 4

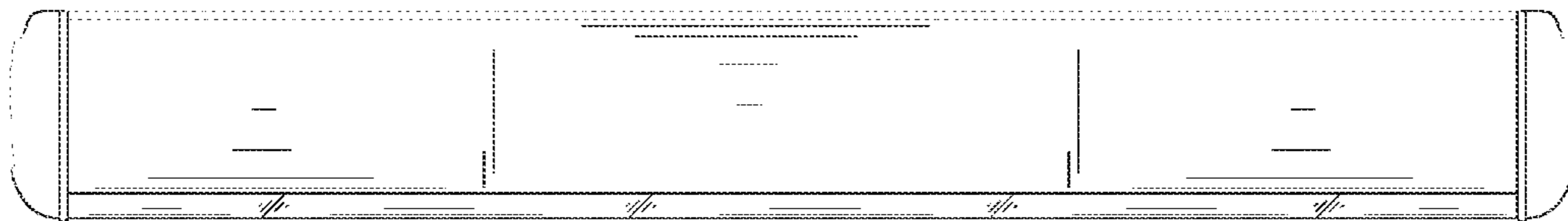


FIG. 5