



US00D710720S

(12) **United States Design Patent**
Asciolla et al.

(10) **Patent No.:** **US D710,720 S**
(45) **Date of Patent:** **** Aug. 12, 2014**

(54) **DRYER EXHAUST DUCT ALARM**
(71) Applicants: **Thomas J. Asciolla**, Monroe Township, NJ (US); **Jack R. Terrazas**, San Antonio, TX (US)

(72) Inventors: **Thomas J. Asciolla**, Monroe Township, NJ (US); **Jack R. Terrazas**, San Antonio, TX (US)

(**) Term: **14 Years**

(21) Appl. No.: **29/483,372**

(22) Filed: **Feb. 27, 2014**

(51) **LOC (10) Cl.** **10-05**

(52) **U.S. Cl.**
USPC **D10/106.1**

(58) **Field of Classification Search**
USPC D10/106.1, 109.2, 114.2; D23/393;
285/12, 47; 34/140
See application file for complete search history.

(56) **References Cited**

U.S. PATENT DOCUMENTS

8,256,133 B2 * 9/2012 Asciolla et al. 34/140
D681,797 S * 5/2013 Gustafsson et al. D23/393

D694,872 S * 12/2013 Gustafsson et al. D23/393
D705,106 S * 5/2014 Asciolla D10/106.1
2010/0148488 A1 * 6/2010 Homola 285/12
2010/0156091 A1 * 6/2010 Boncalo et al. 285/47

* cited by examiner

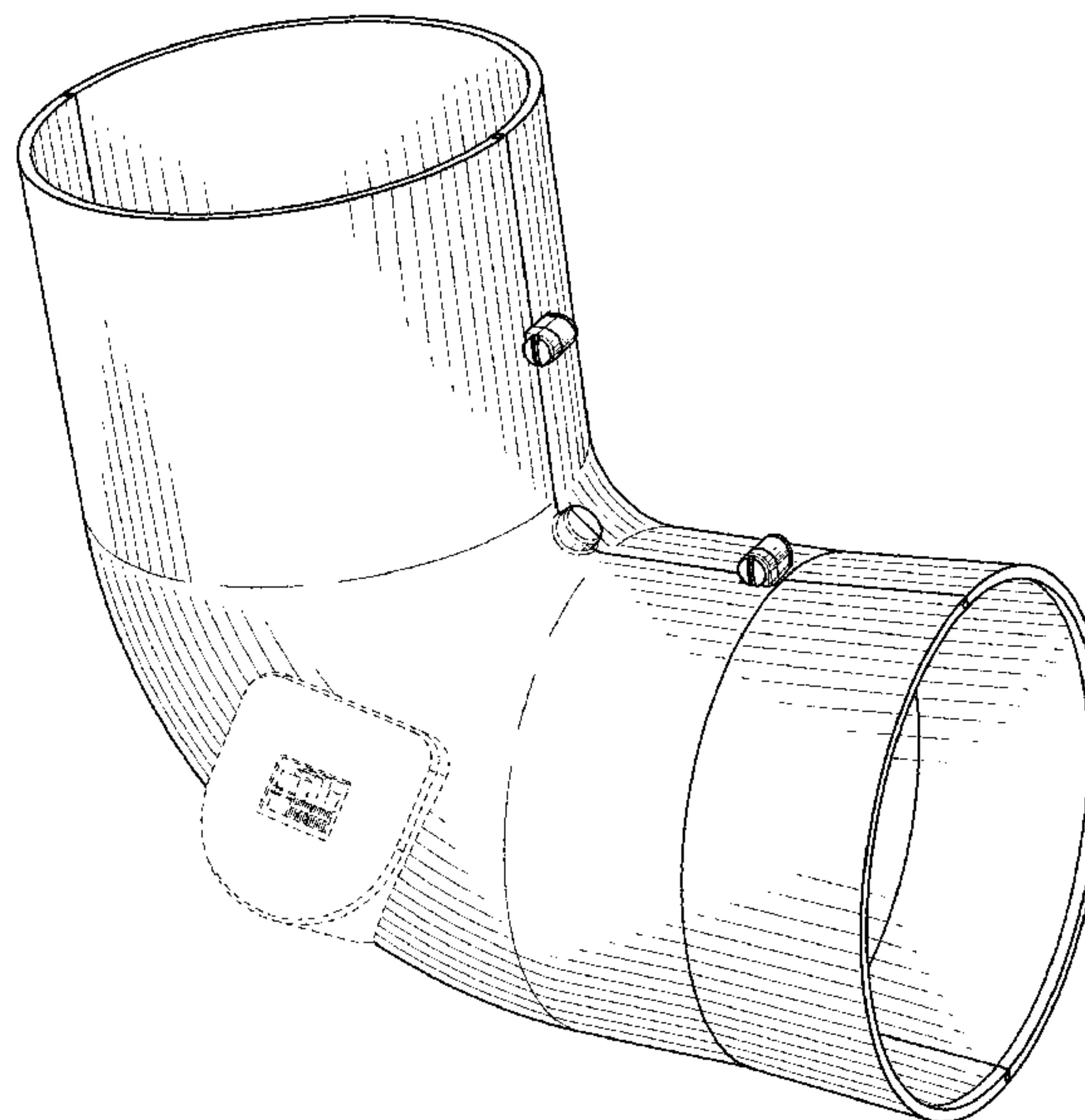
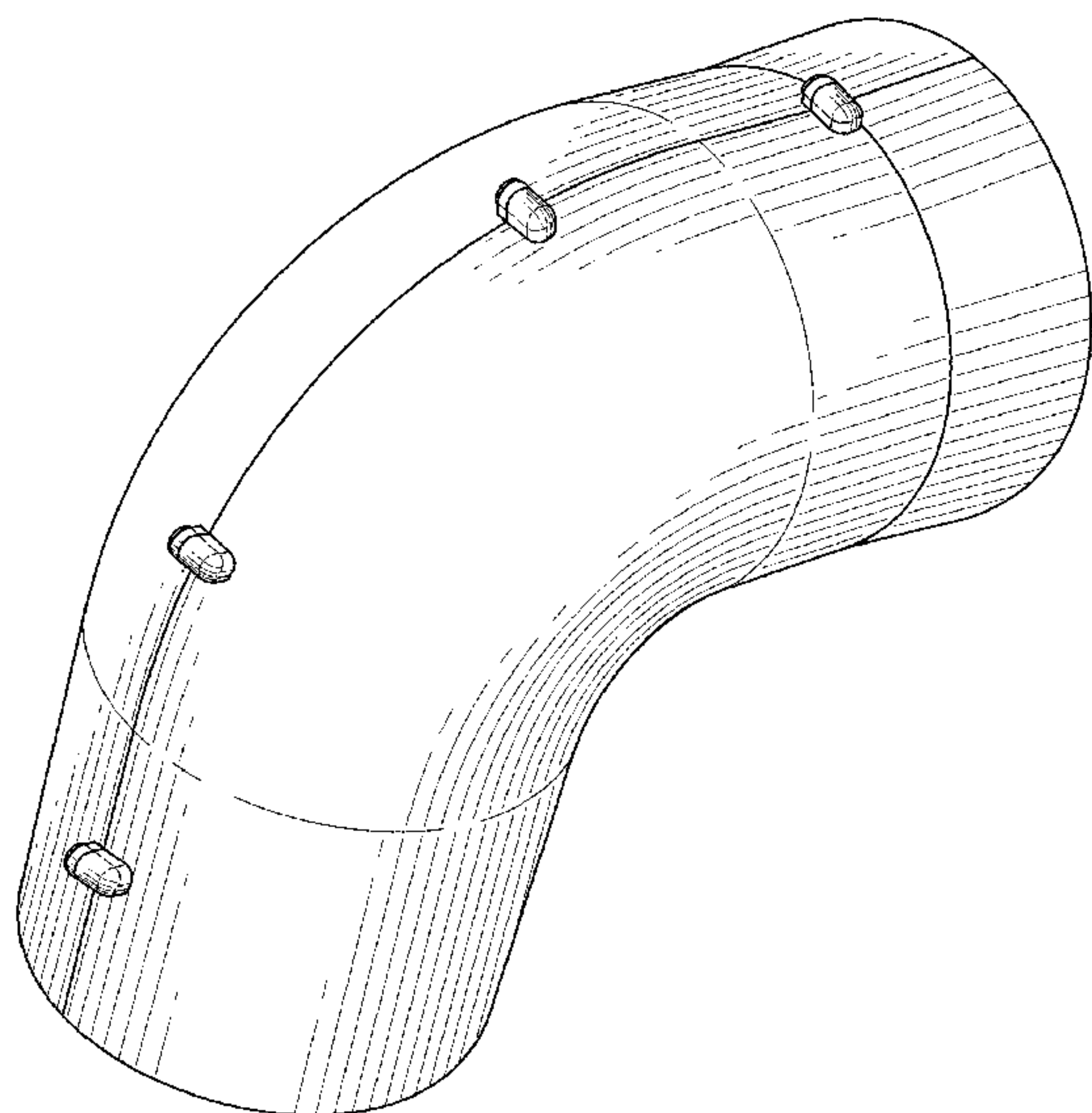
Primary Examiner — George D Kirschbaum
(74) *Attorney, Agent, or Firm* — Douglas Baldwin

(57) **CLAIM**
We claim the ornamental design for the dryer exhaust duct alarm, as shown.

DESCRIPTION

FIG. 1 is an isometric view of a top view showing our design.
FIG. 2 is an isometric view of the underside of our design
FIG. 3 is a right side elevation view.
FIG. 4 is a left side elevation view.
FIG. 5 is a rear end elevation view.
FIG. 6 is a side elevation view;
FIG. 7 is side elevation view; and,
FIG. 8 is an end view of our design.
The broken line showing of an electronic housing is included for the purpose of illustrating portions of the “article” and forms no part of the claimed design.

1 Claim, 5 Drawing Sheets



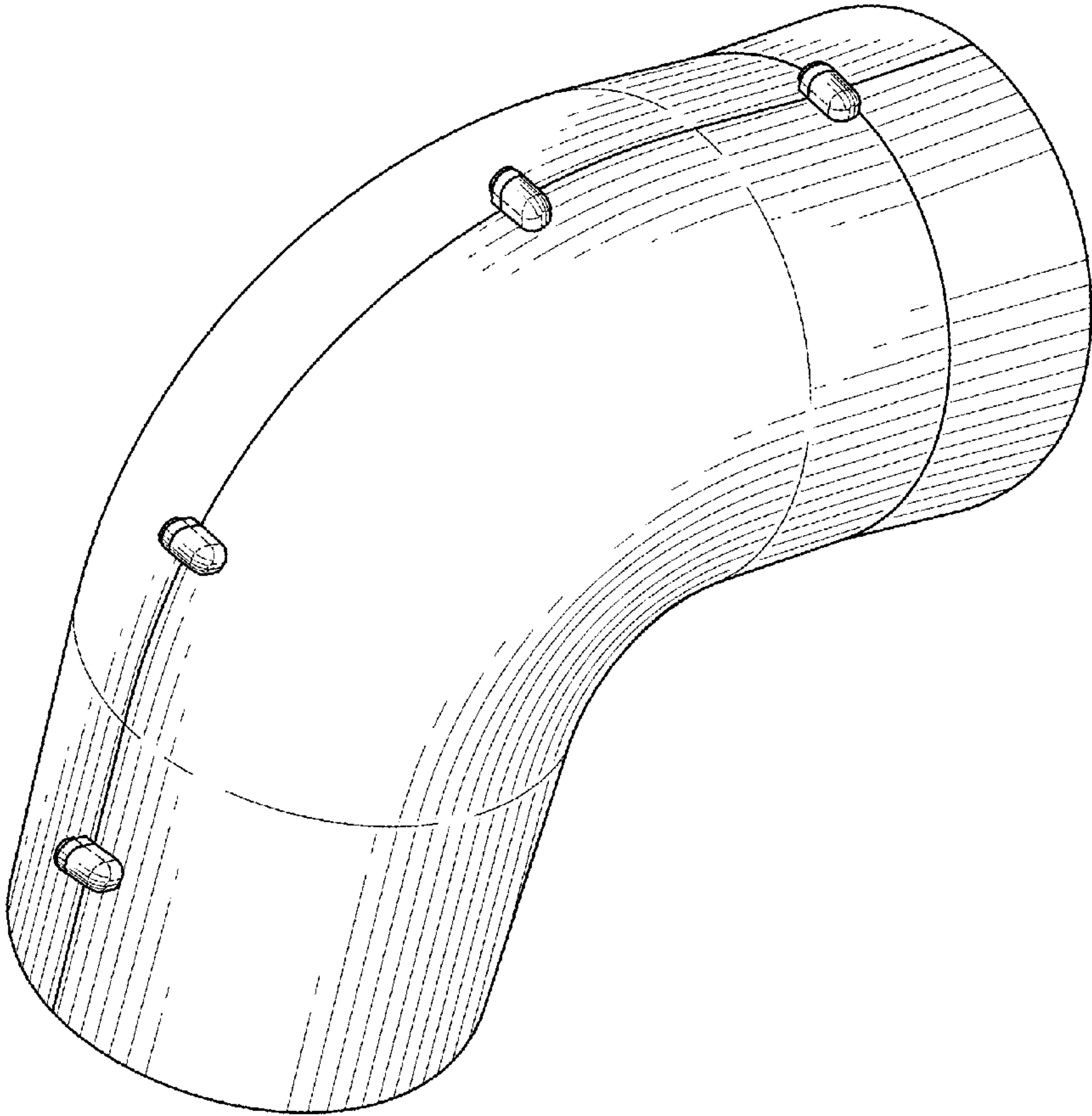


FIG. 1

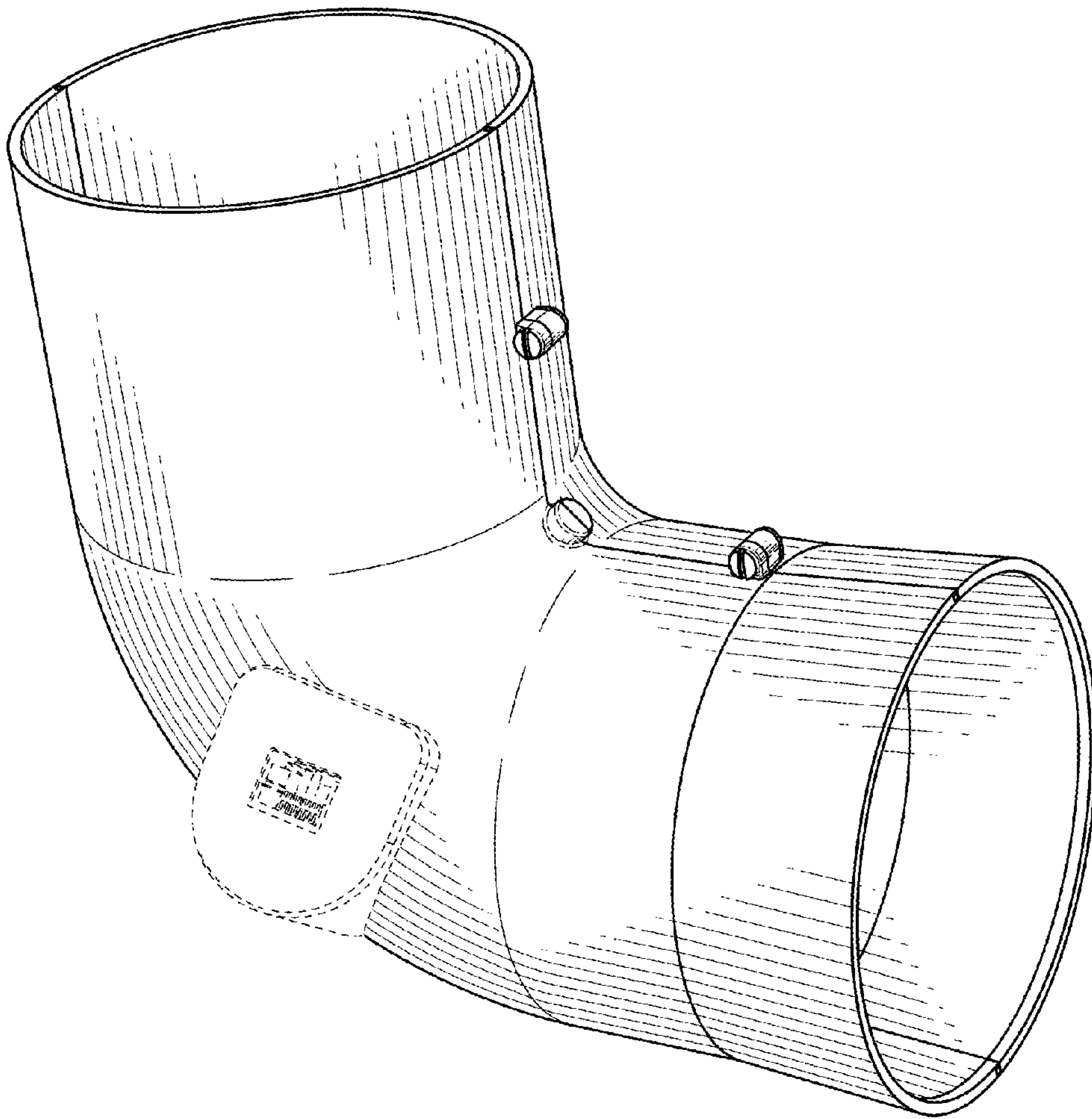


FIG. 2

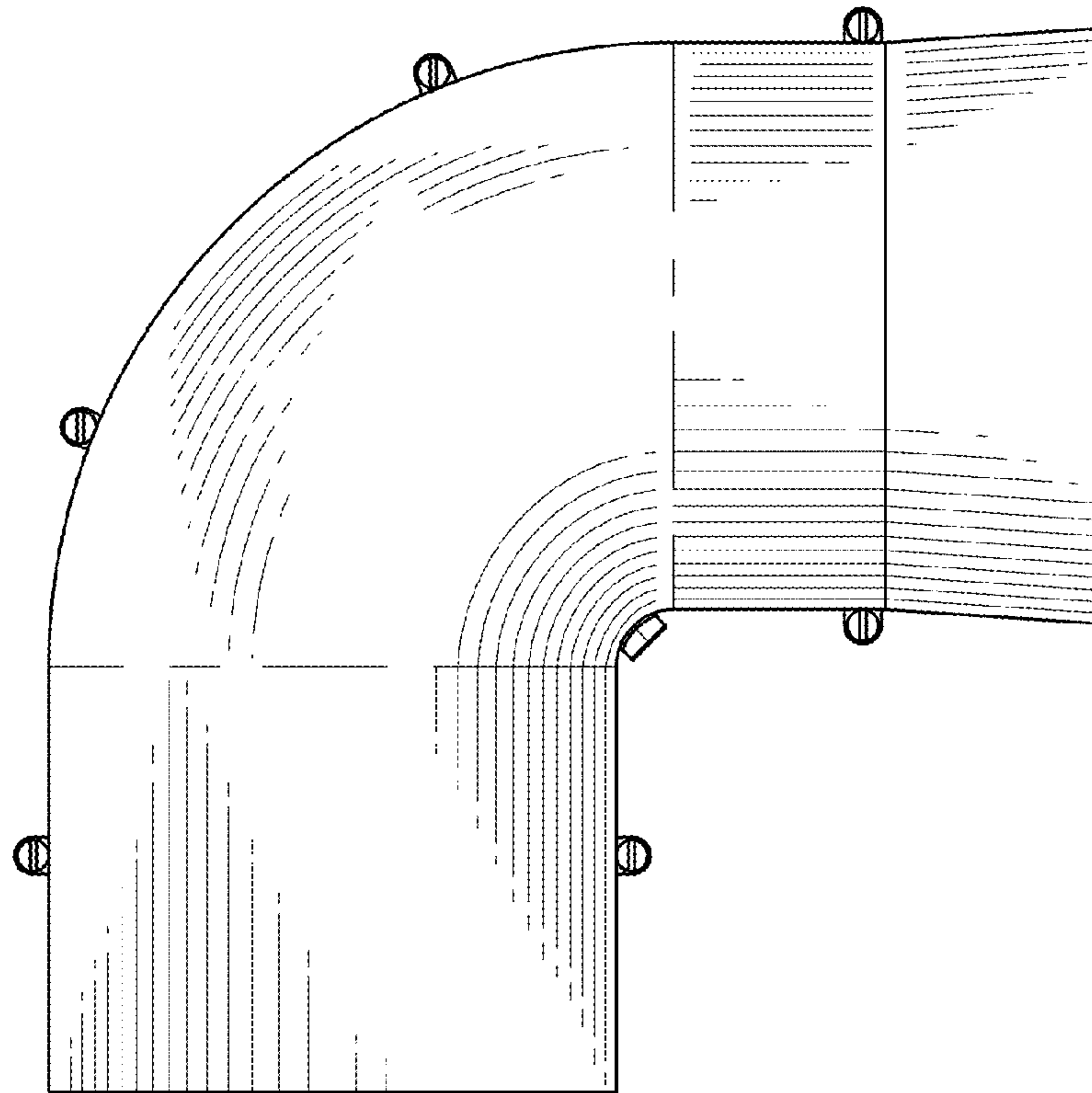


FIG. 3

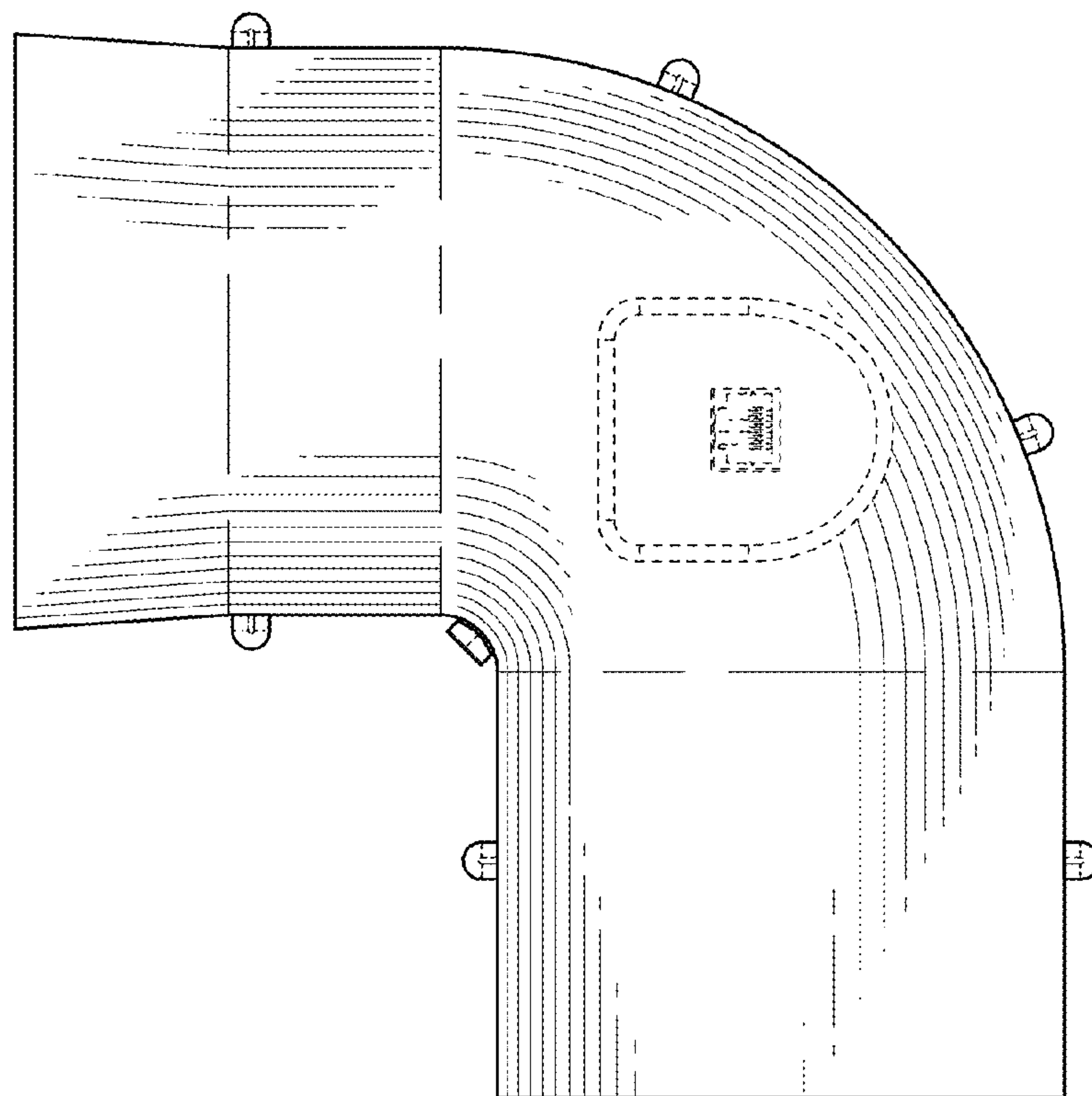


FIG. 4

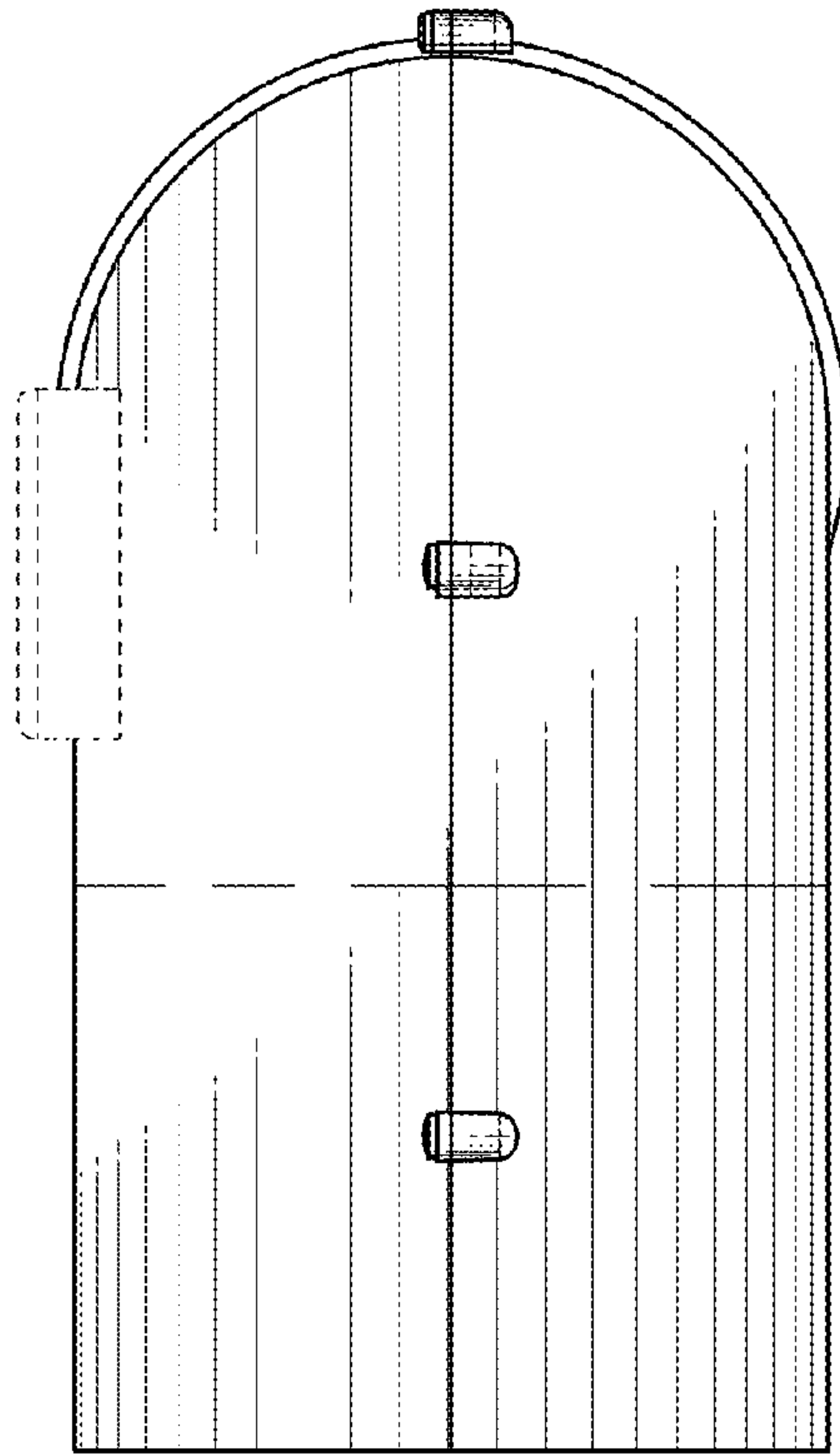


FIG. 5

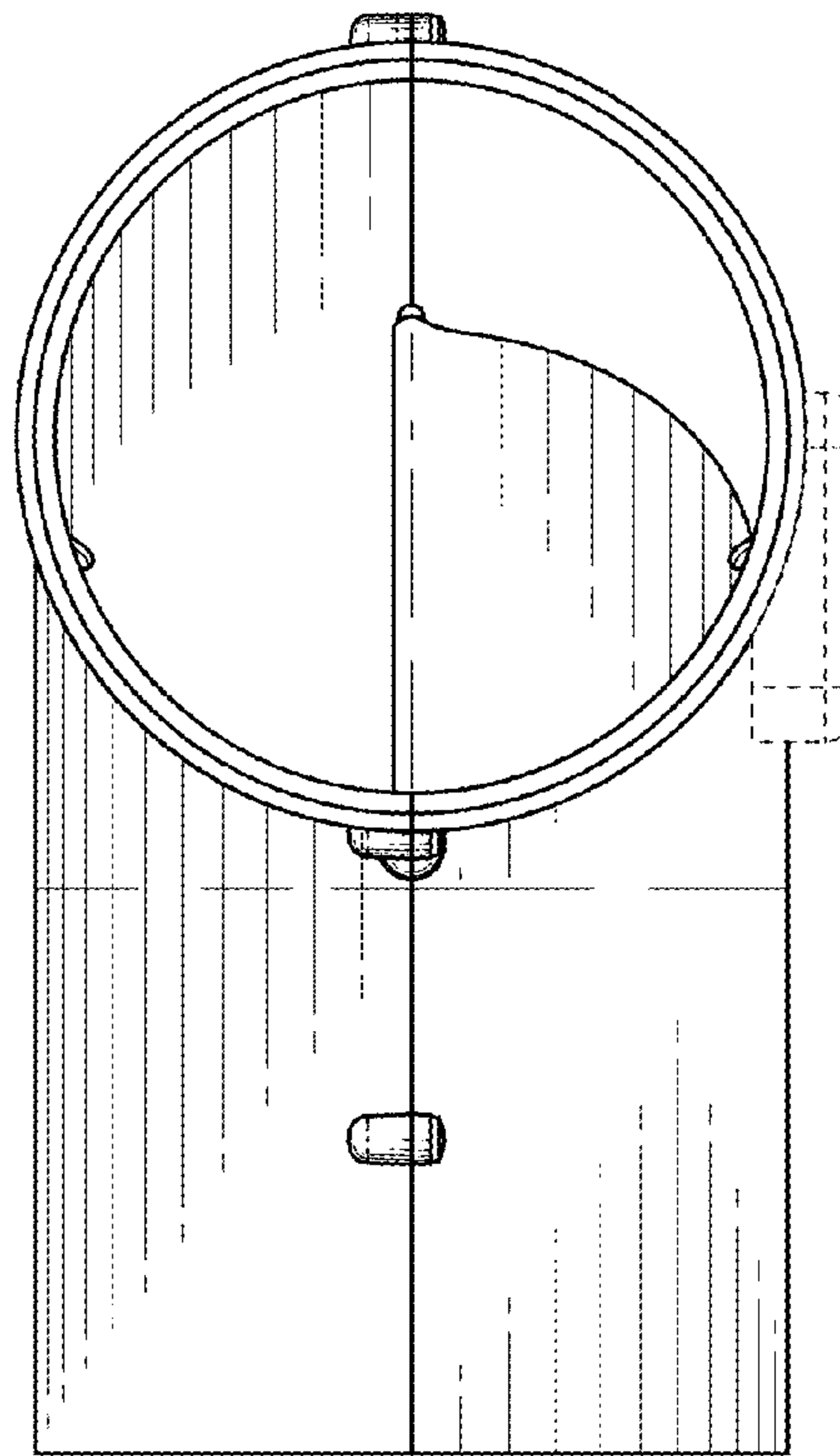


FIG. 6

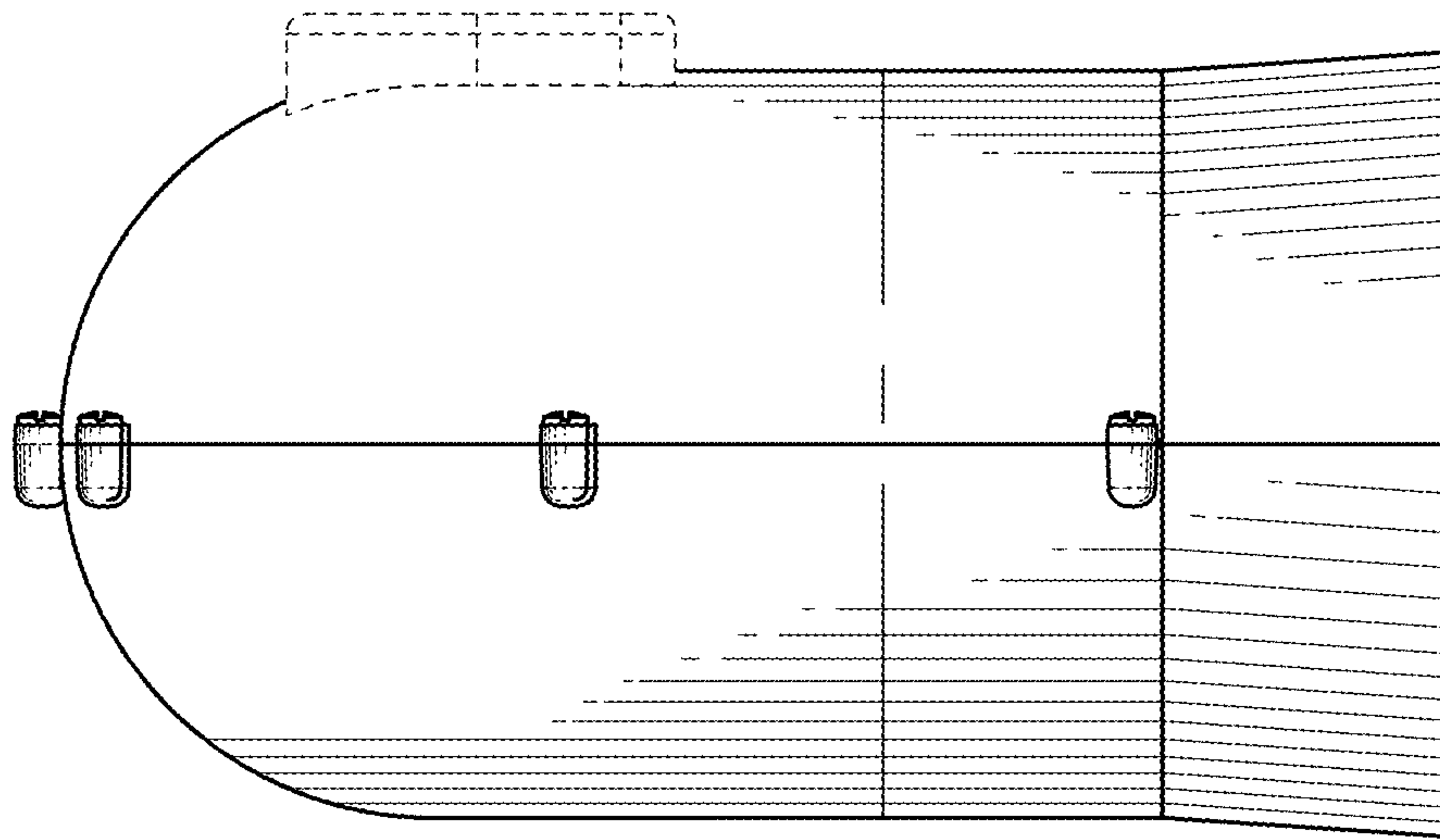


FIG. 7

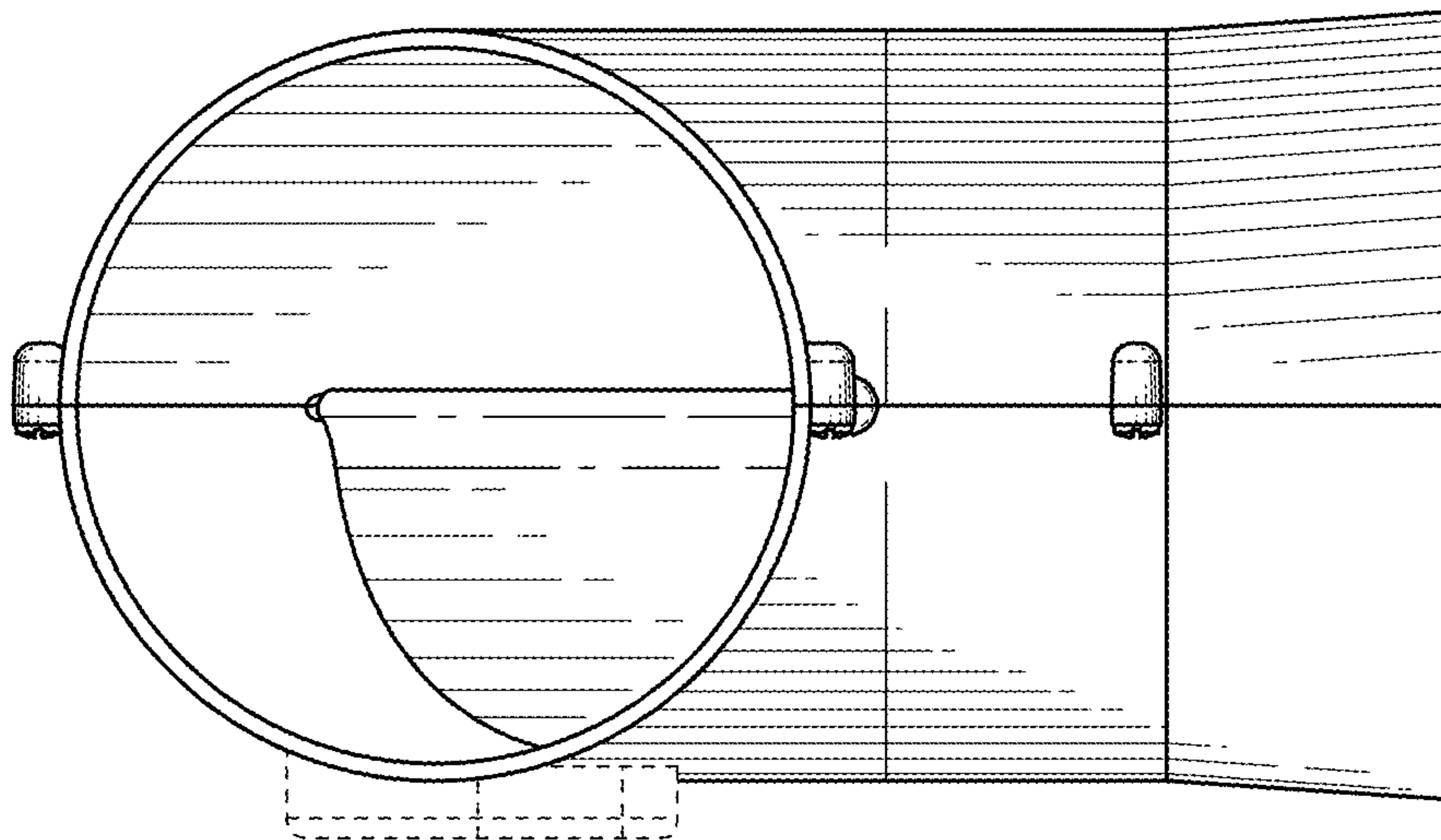


FIG. 8