



US00D710715S

(12) **United States Design Patent**  
**Bianco et al.**

(10) **Patent No.:** **US D710,715 S**

(45) **Date of Patent:** **\*\* Aug. 12, 2014**

(54) **REMOTE TERMINAL FOR TIME AND ATTENDANCE SYSTEM**

(71) Applicants: **James S. Bianco**, Suffield, CT (US);  
**David Palmer**, Holyoke, MA (US);  
**William G. Lucas, Jr.**, Suffield, CT (US)

(72) Inventors: **James S. Bianco**, Suffield, CT (US);  
**David Palmer**, Holyoke, MA (US);  
**William G. Lucas, Jr.**, Suffield, CT (US)

(73) Assignee: **Control Module, Inc.**, Enfield, CT (US)

(\*\*) Term: **14 Years**

(21) Appl. No.: **29/441,393**

(22) Filed: **Jan. 4, 2013**

(51) **LOC (10) Cl.** ..... **10-03**

(52) **U.S. Cl.**  
USPC ..... **D10/41; D10/24**

(58) **Field of Classification Search**  
USPC ..... D10/1-39, 40, 41; D13/158, 162,  
D13/162.1; D14/336; 368/10, 46, 47, 82;  
705/32, 50; 346/80, 81, 82, 85, 86, 91,  
346/17, 20; 235/377, 378, 494; 345/173  
See application file for complete search history.

(56) **References Cited**

**U.S. PATENT DOCUMENTS**

3,611,423	A *	10/1971	Rutsche	346/86
4,549,264	A *	10/1985	Carroll et al.	705/32
4,812,627	A *	3/1989	Wexler et al.	705/32
4,862,151	A *	8/1989	Grauz et al.	345/173
D304,162	S *	10/1989	Calkins	D10/41
5,459,657	A *	10/1995	Wynn et al.	705/32
5,717,867	A *	2/1998	Wynn et al.	705/32
5,767,868	A *	6/1998	Sugiuchi et al.	346/82
6,061,303	A *	5/2000	Gauthier et al.	368/10

6,817,537	B2 *	11/2004	Watanabe et al.	235/494
D514,565	S *	2/2006	Haygood	D14/371
D553,514	S *	10/2007	Tanaka et al.	D10/41
D605,062	S *	12/2009	Matsumoto	D10/41
D605,955	S *	12/2009	Matsumoto	D10/41
7,835,955	B1 *	11/2010	Brodsky et al.	705/32
D635,035	S *	3/2011	Matsumoto	D10/41
D697,506	S *	1/2014	Bianco et al.	D14/336
D697,910	S *	1/2014	Bianco et al.	D14/336
2008/0114683	A1 *	5/2008	Neveu et al.	705/50
2009/0254464	A1 *	10/2009	Bonner et al.	705/32
2010/0161462	A1 *	6/2010	Pappas et al.	705/32
2012/0278211	A1 *	11/2012	Loveland et al.	705/32

\* cited by examiner

*Primary Examiner* — Caron D Veynar

*Assistant Examiner* — Martie K Holtje

(74) *Attorney, Agent, or Firm* — Alix, Yale & Ristas, LLP

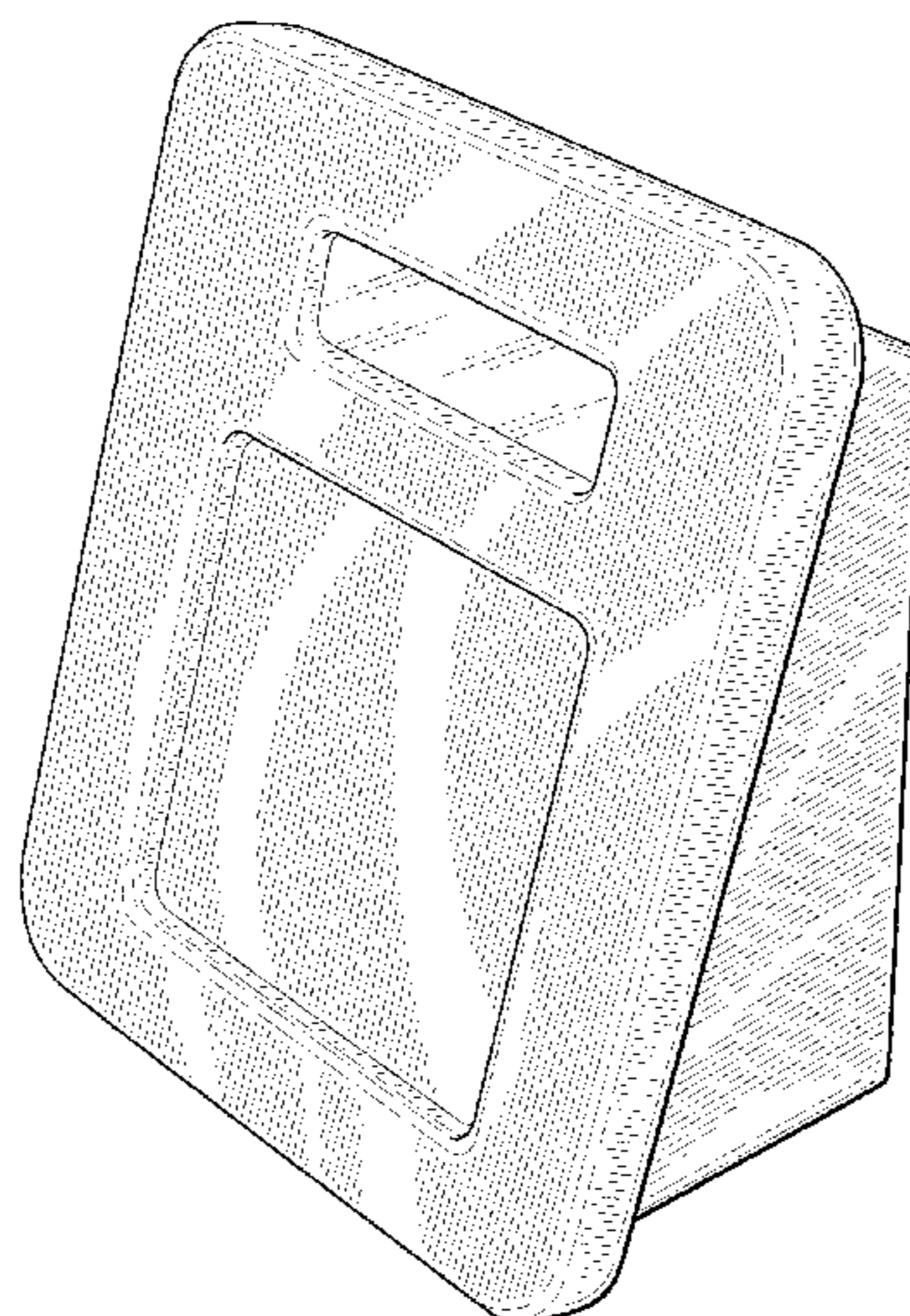
(57) **CLAIM**

The ornamental design for a remote terminal for time and attendance system, as shown and described.

**DESCRIPTION**

FIG. 1 is a perspective view of a remote terminal for time and attendance system showing our new design;  
 FIG. 2 is a front view thereof;  
 FIG. 3 is a rear view thereof;  
 FIG. 4 is a bottom plan view thereof;  
 FIG. 5 is a top plan view thereof;  
 FIG. 6 is a right side view thereof;  
 FIG. 7 is a left side view thereof;  
 FIG. 8 is a perspective view of a second embodiment of a remote terminal for time and attendance system;  
 FIG. 9 is a front view of the embodiment of FIG. 8;  
 FIG. 10 is a rear view of the embodiment of FIG. 8;  
 FIG. 11 is a bottom plan view of the embodiment of FIG. 8;  
 FIG. 12 is a top plan view of the embodiment of FIG. 8;  
 FIG. 13 is a right side view of the embodiment of FIG. 8; and,  
 FIG. 14 is a left side view of the embodiment of FIG. 8.

**1 Claim, 8 Drawing Sheets**



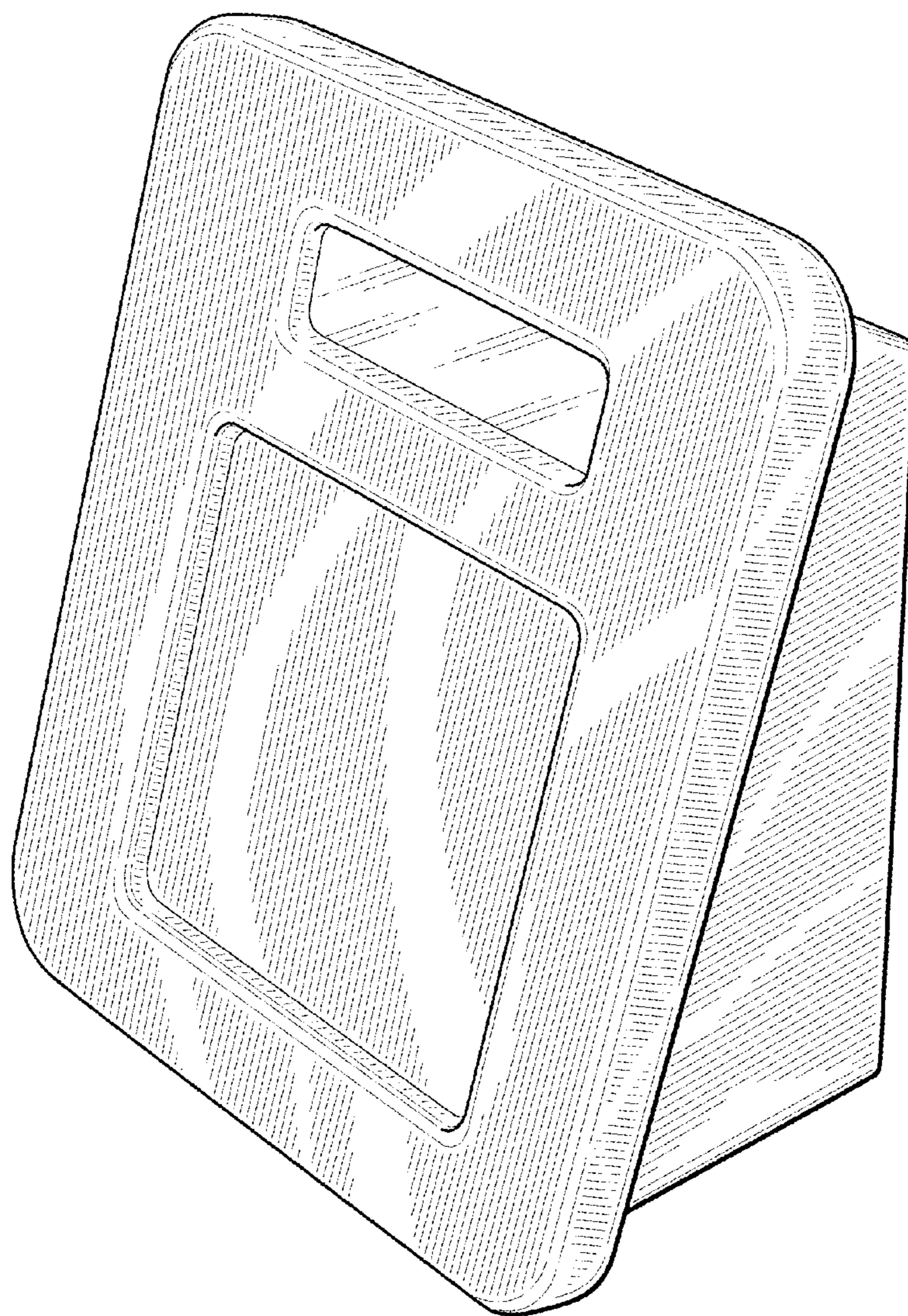


FIG. 1

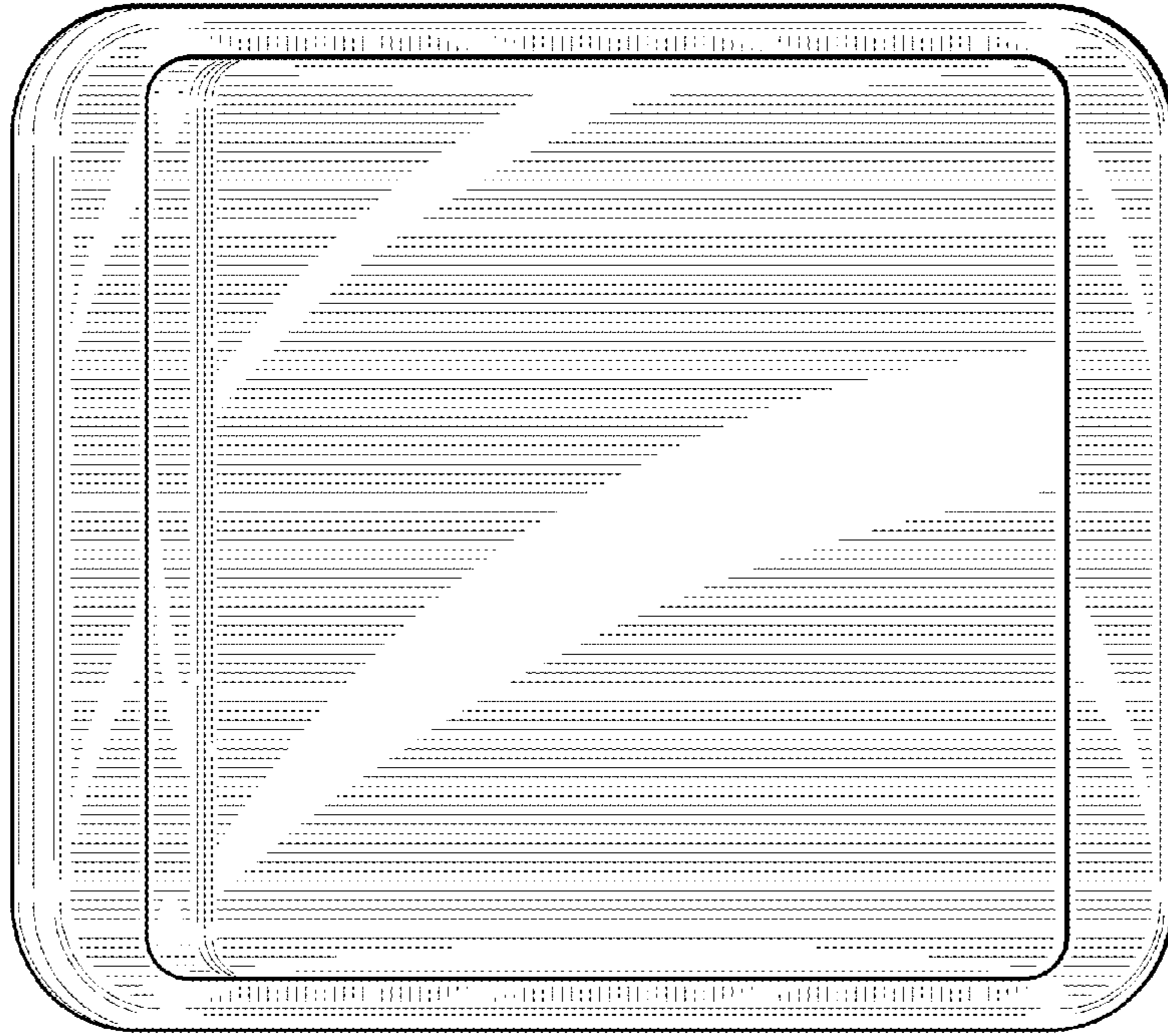


FIG. 3

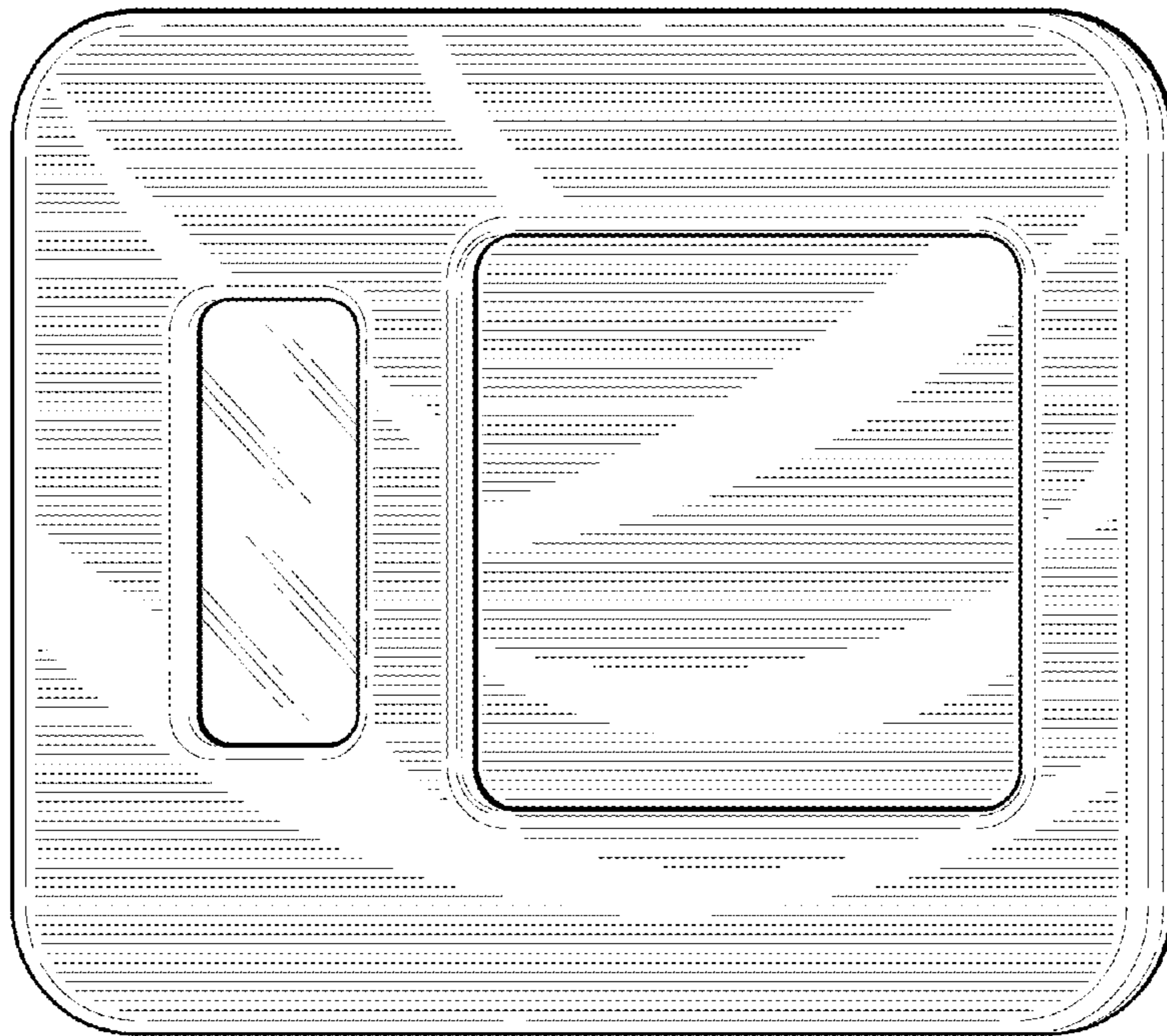


FIG. 2

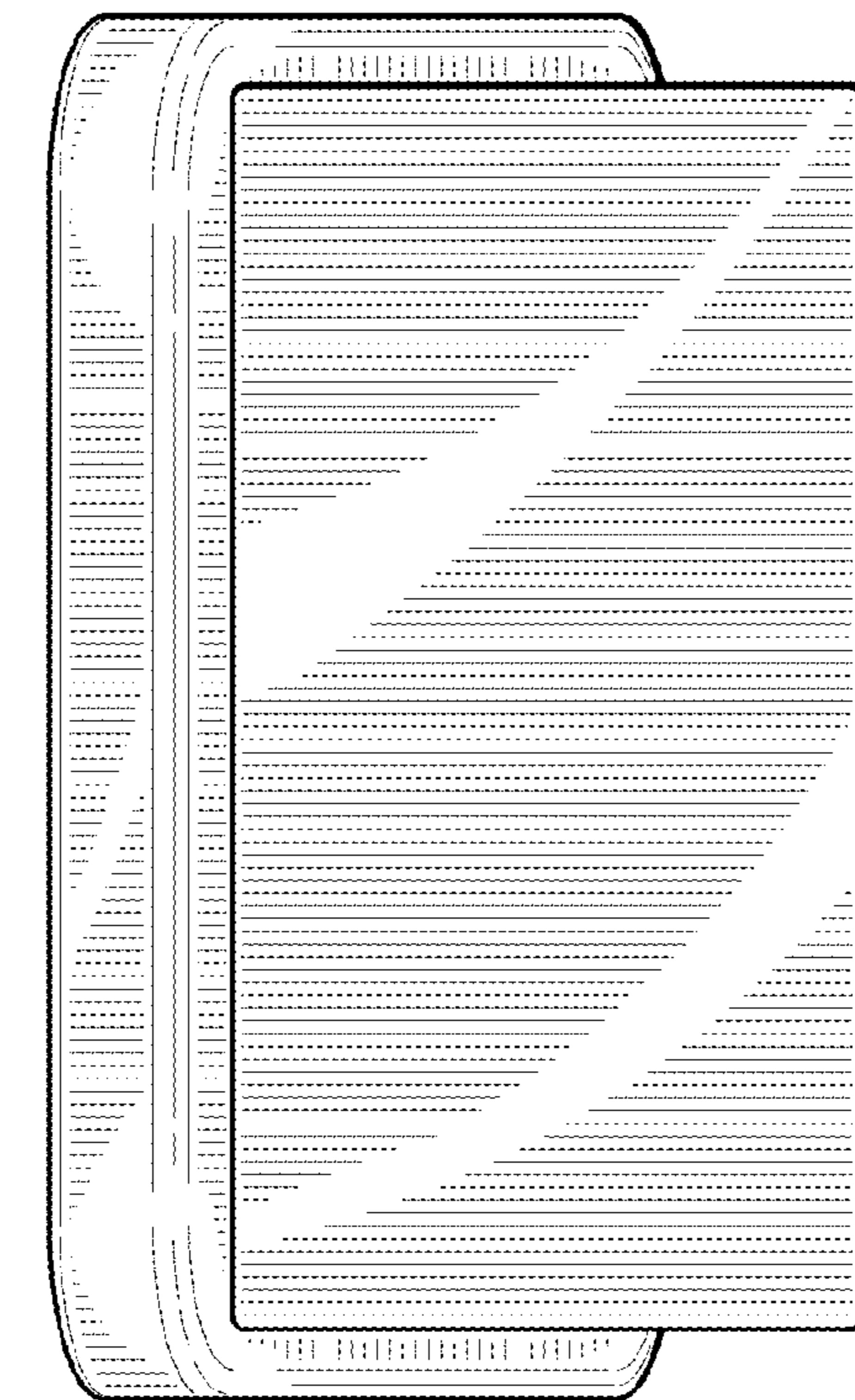


FIG. 5

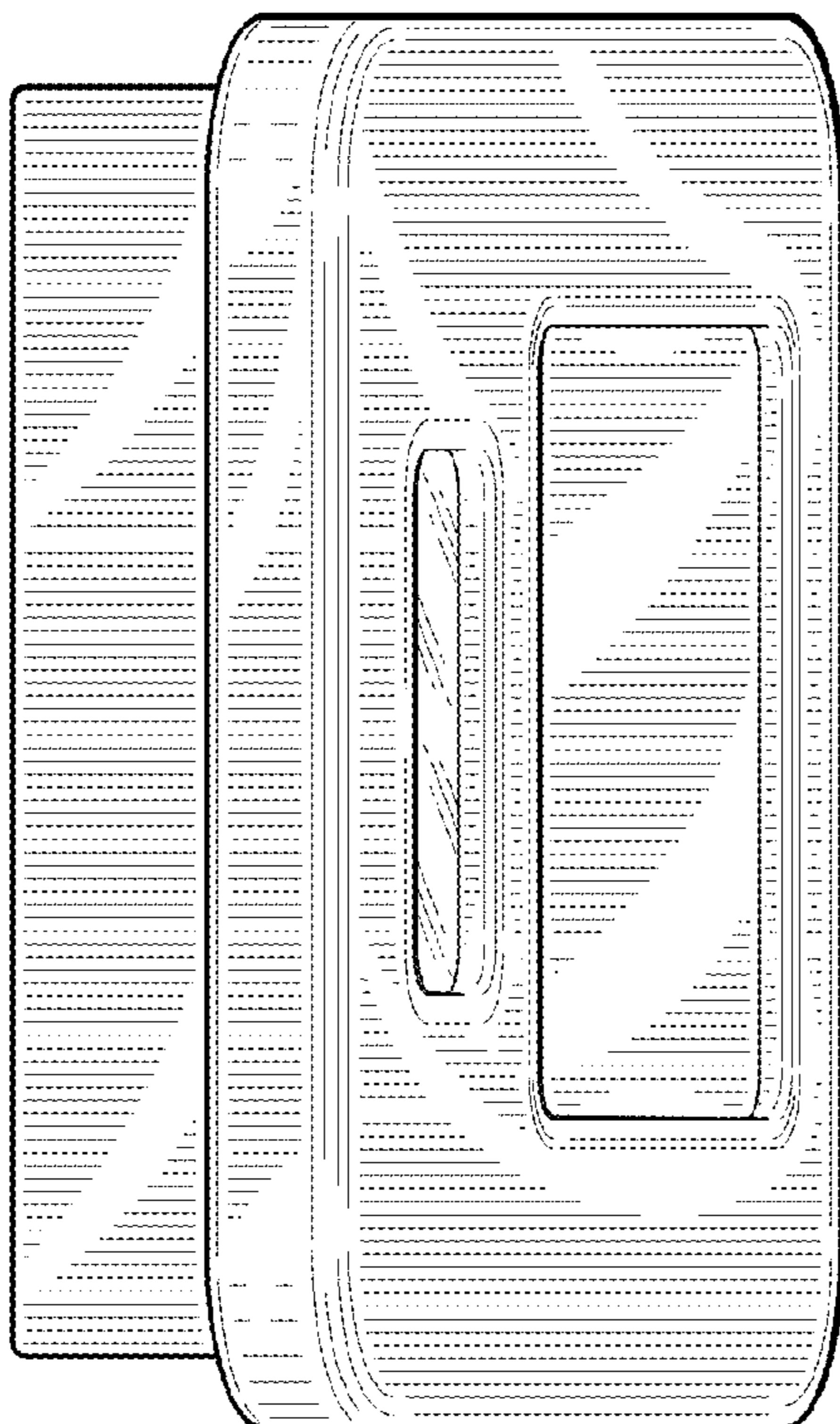


FIG. 4

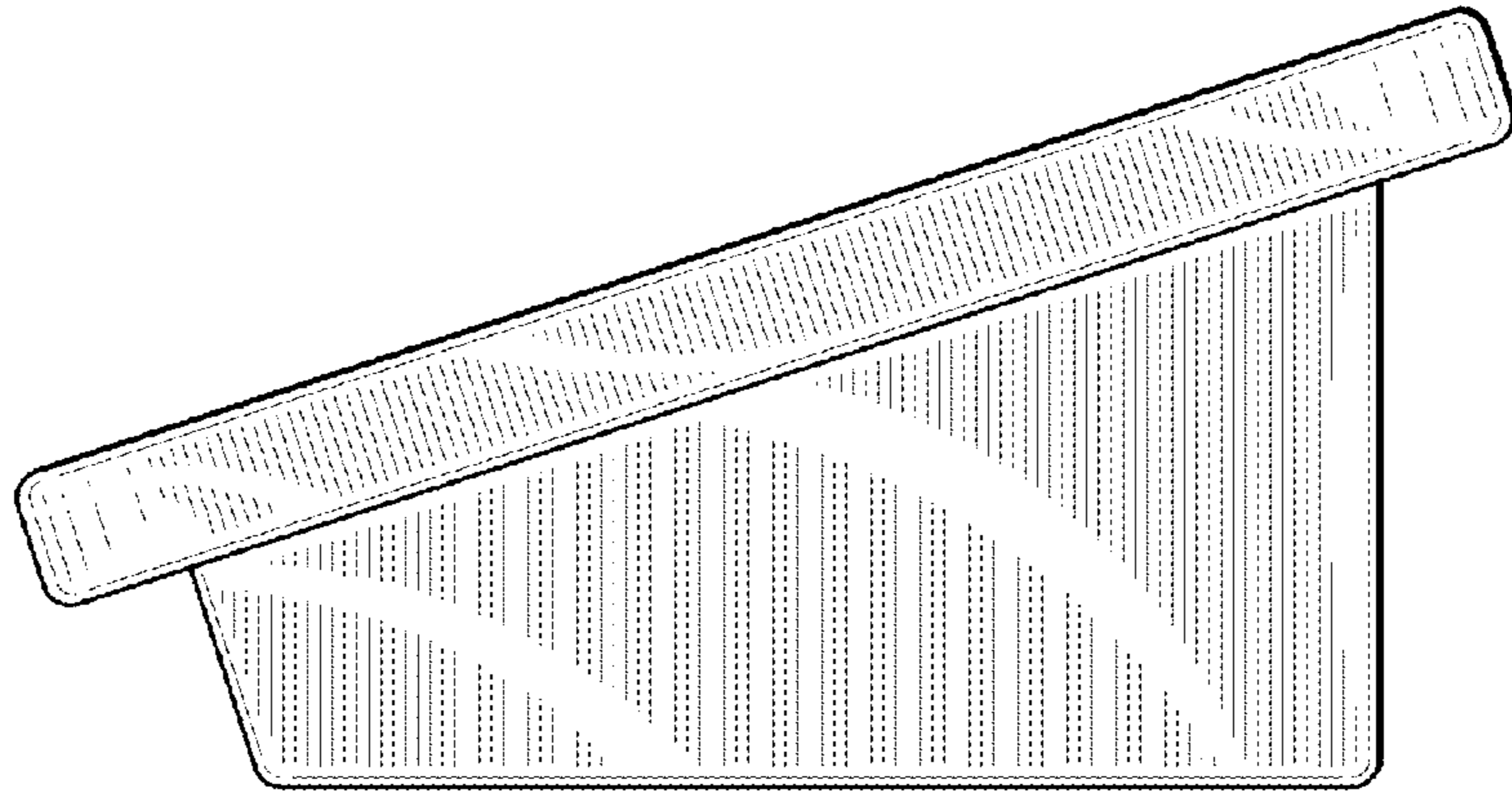


FIG. 7

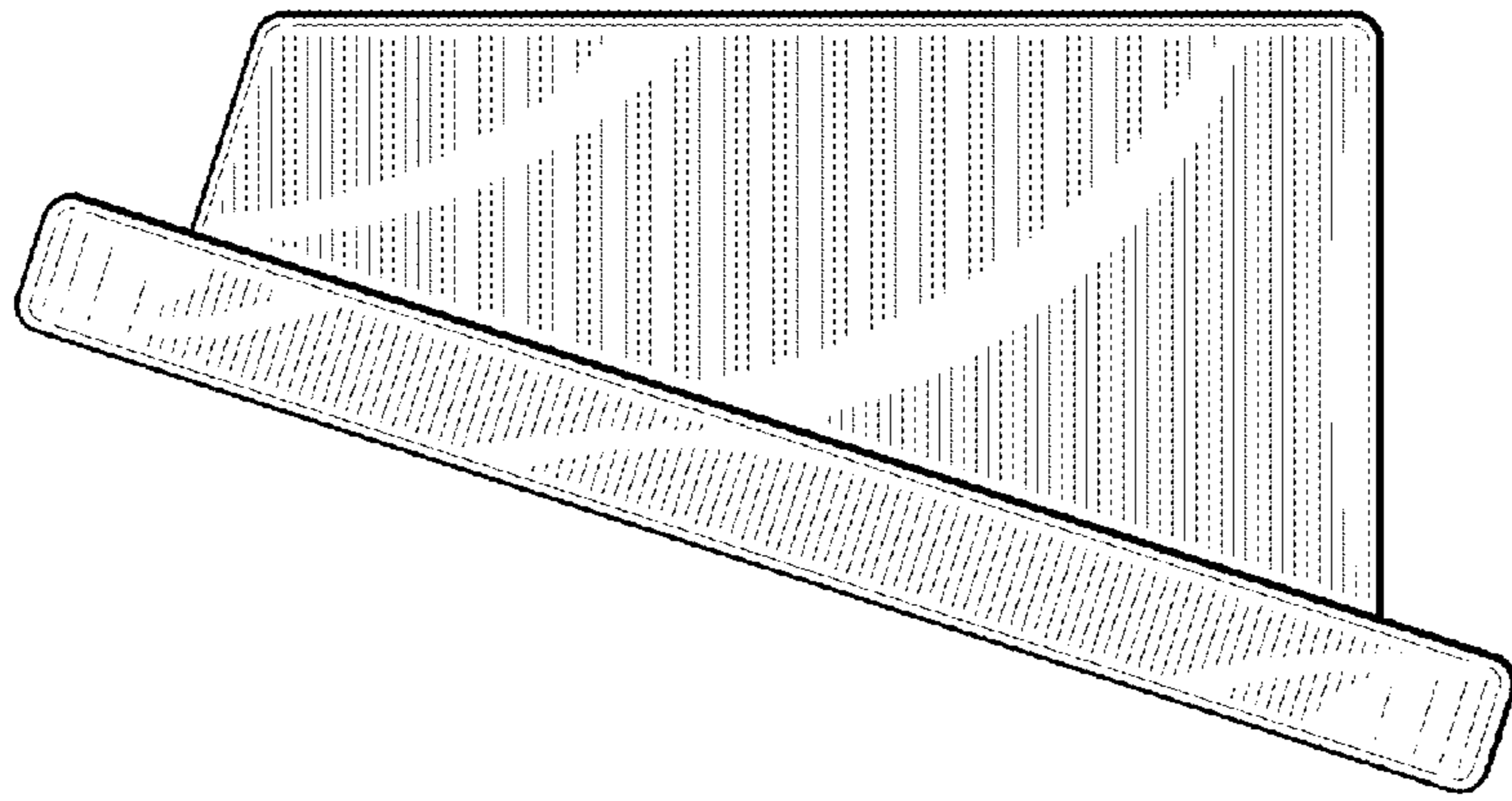


FIG. 6

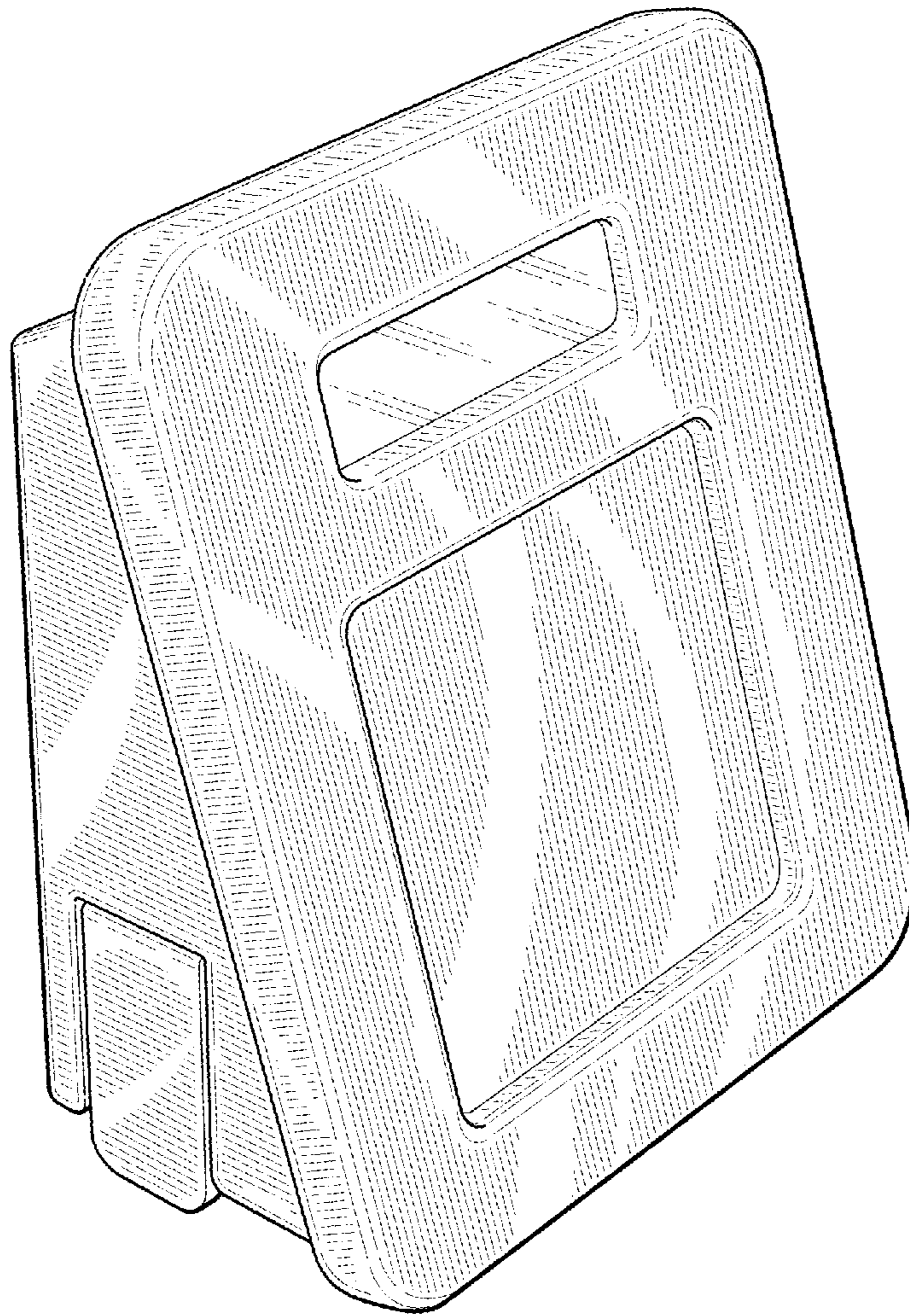


FIG. 8

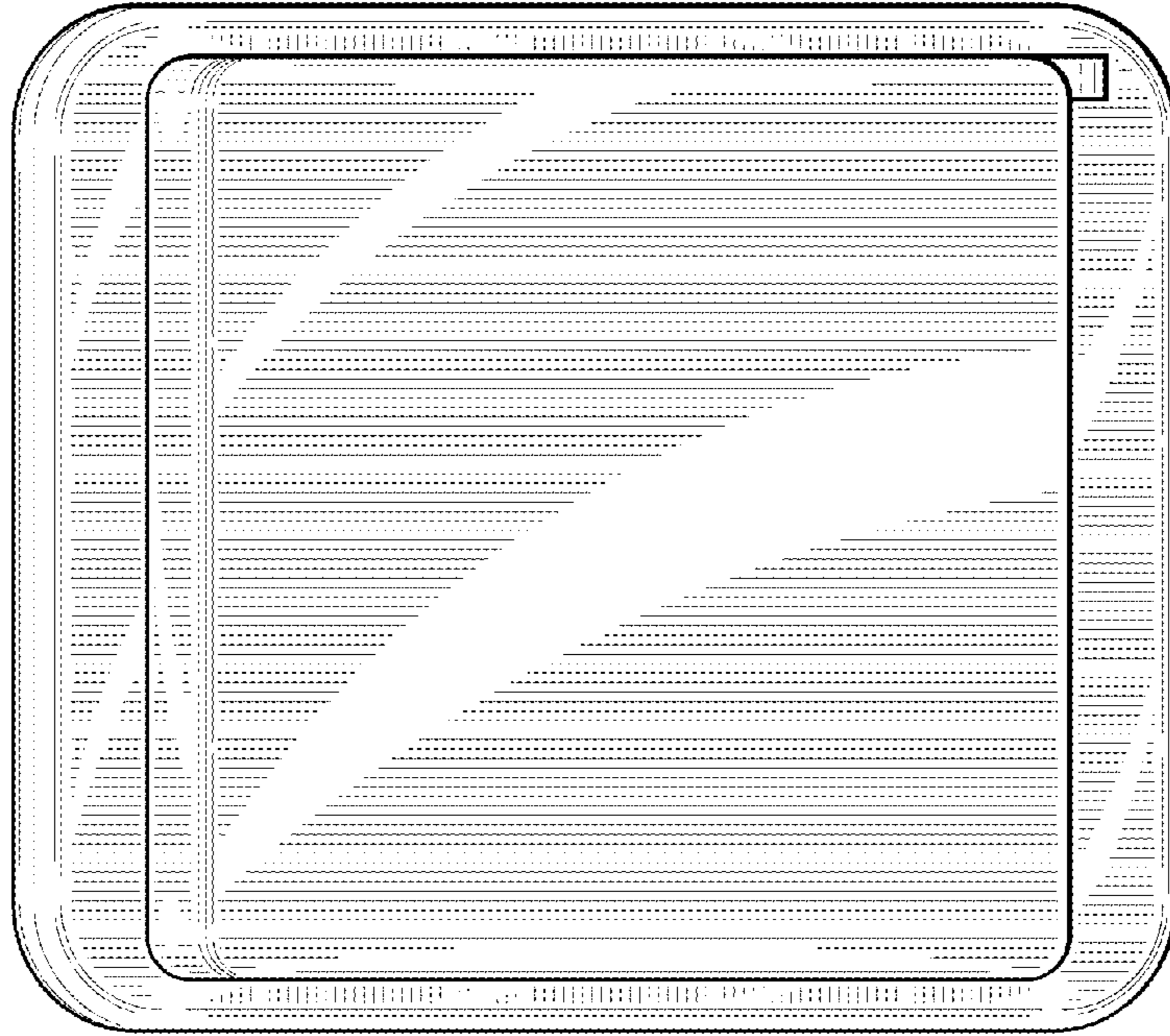


FIG. 9

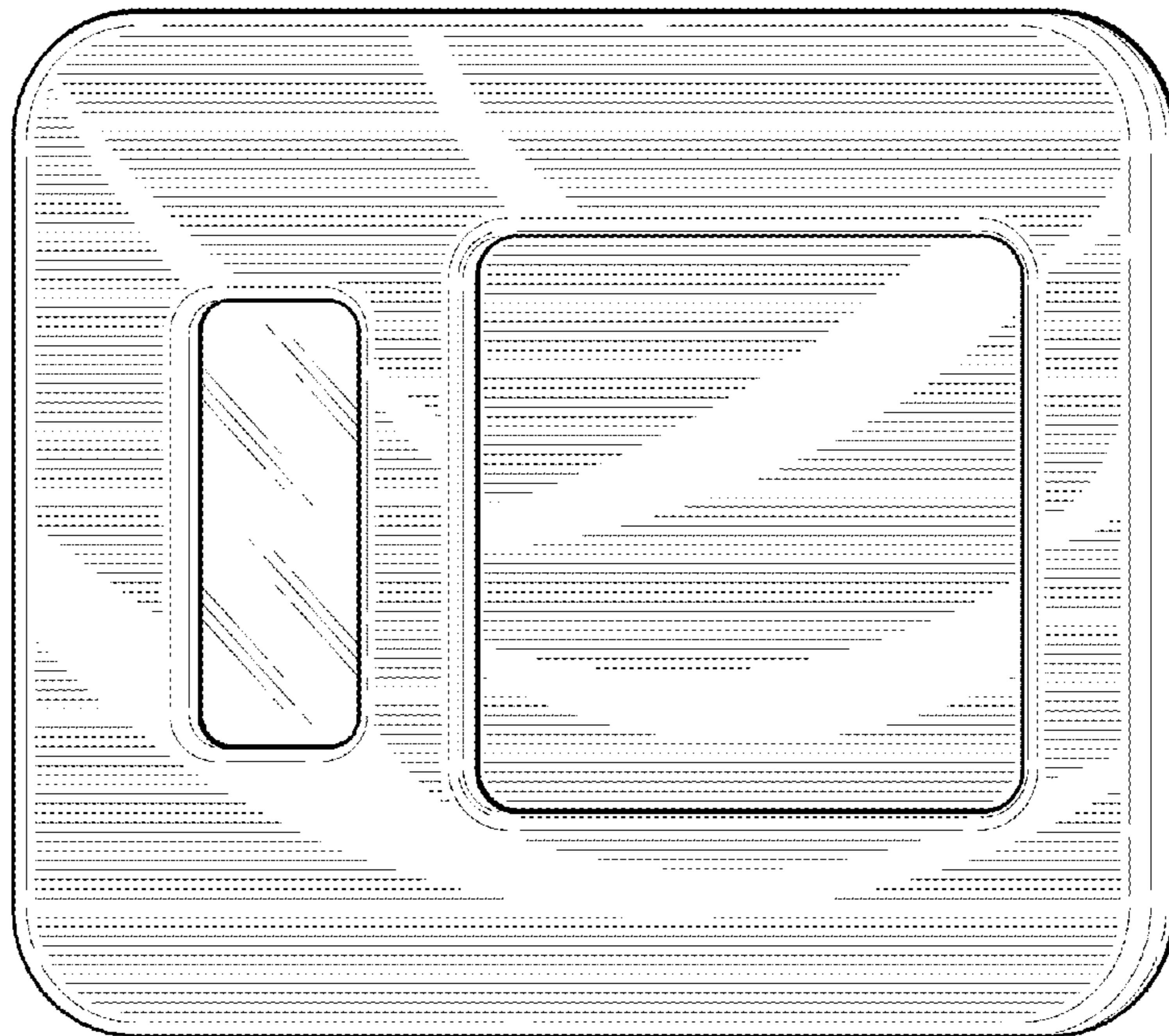


FIG. 10

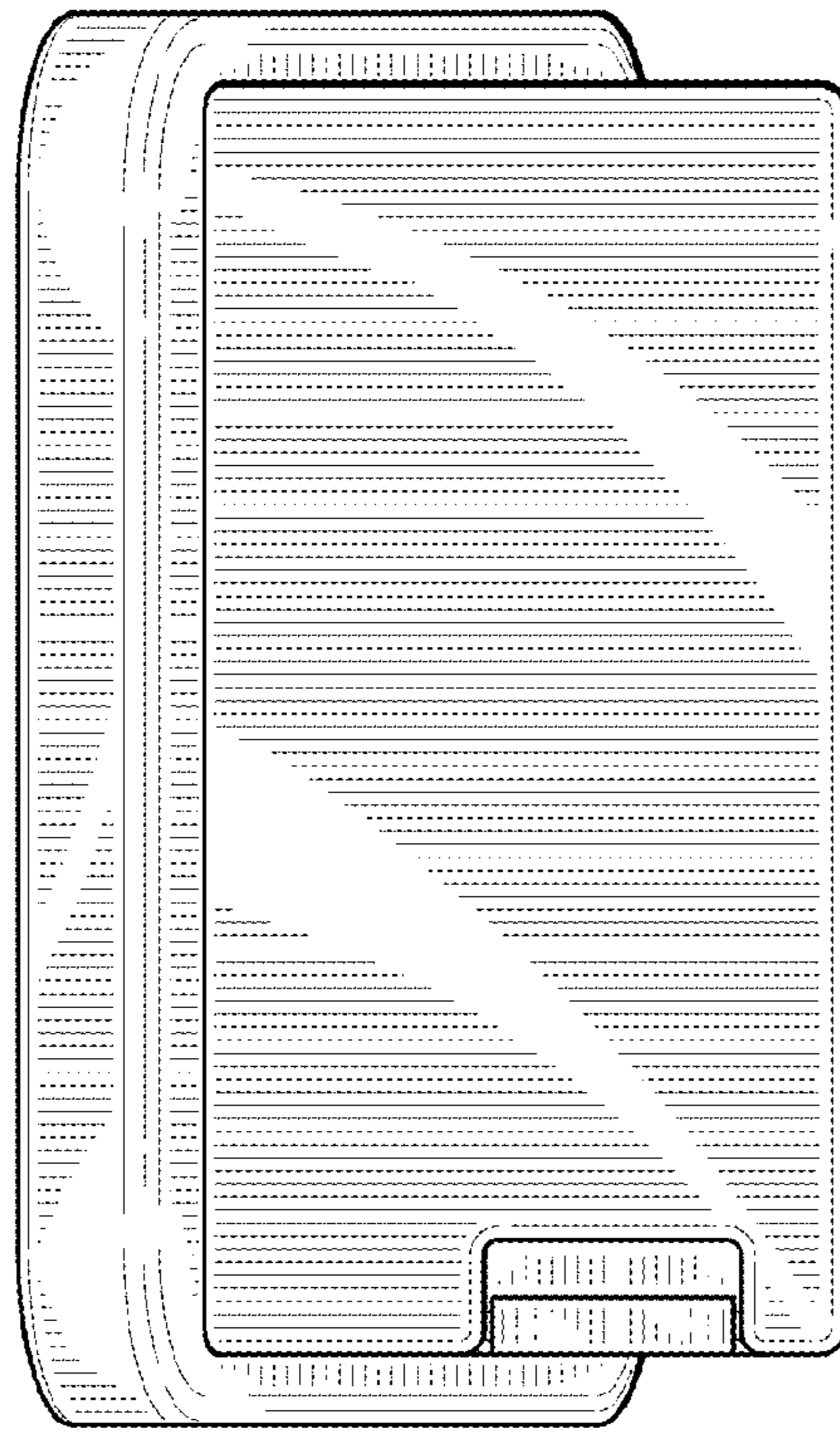


FIG. 11

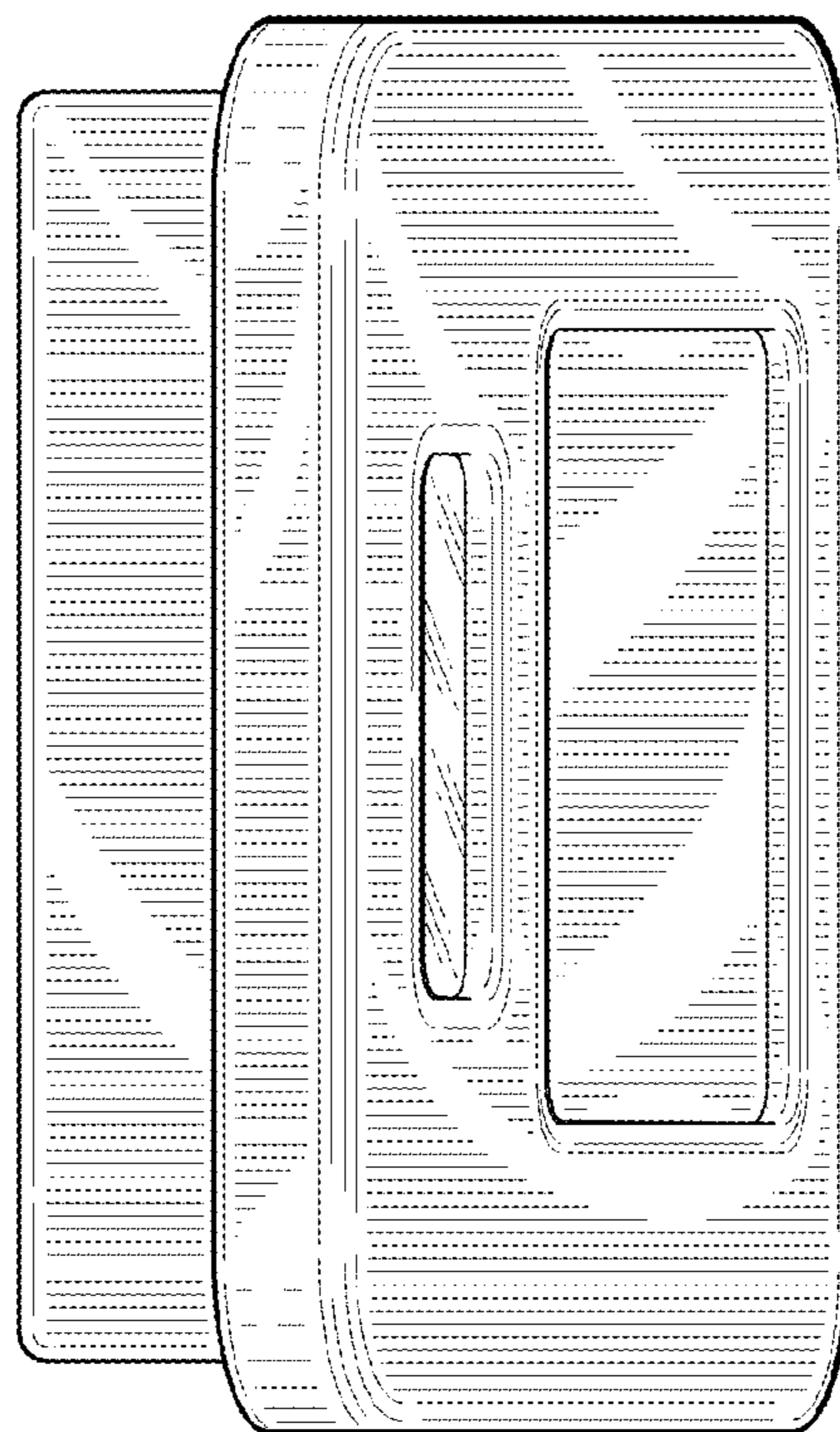


FIG. 12



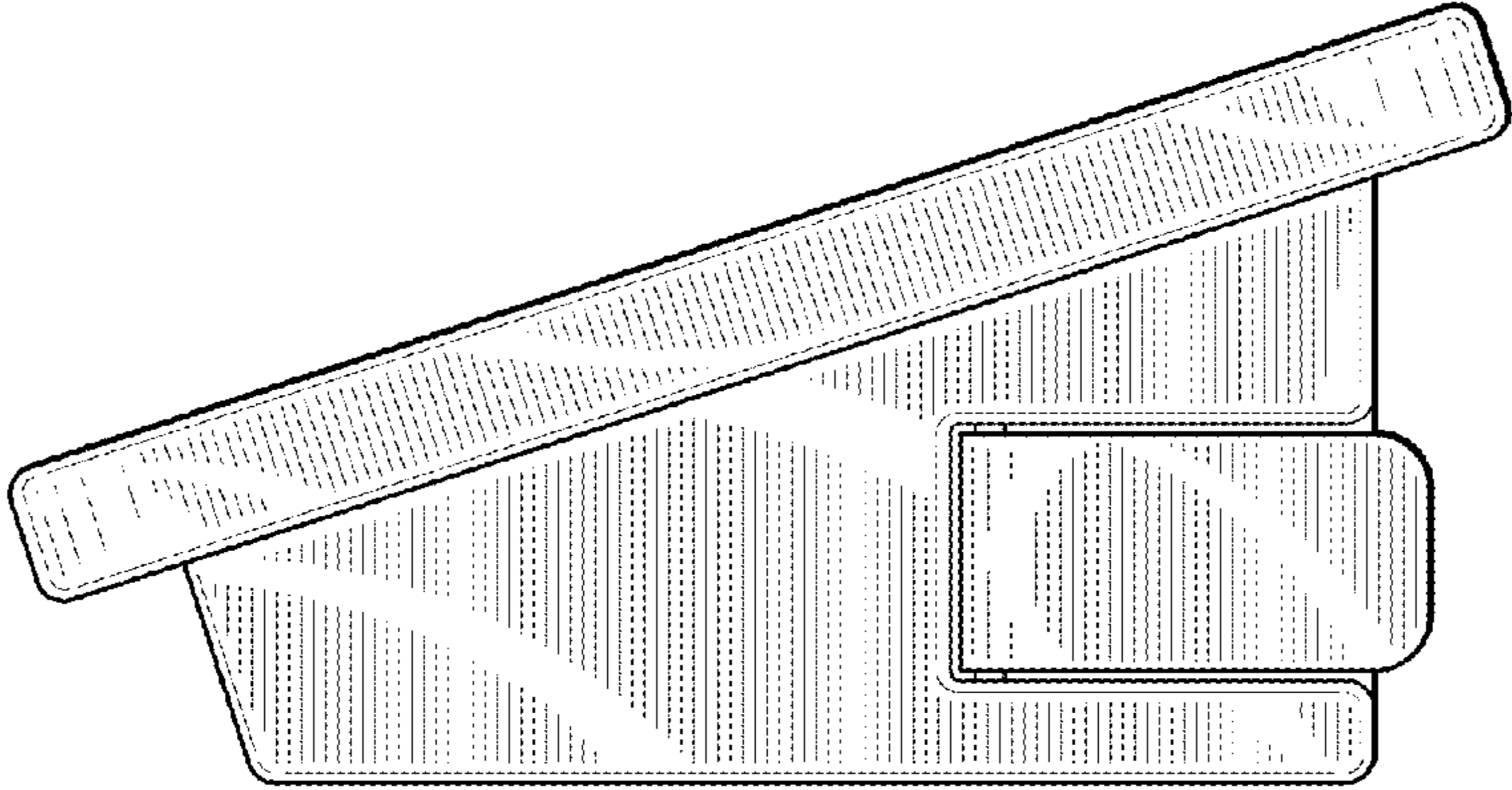


FIG. 14

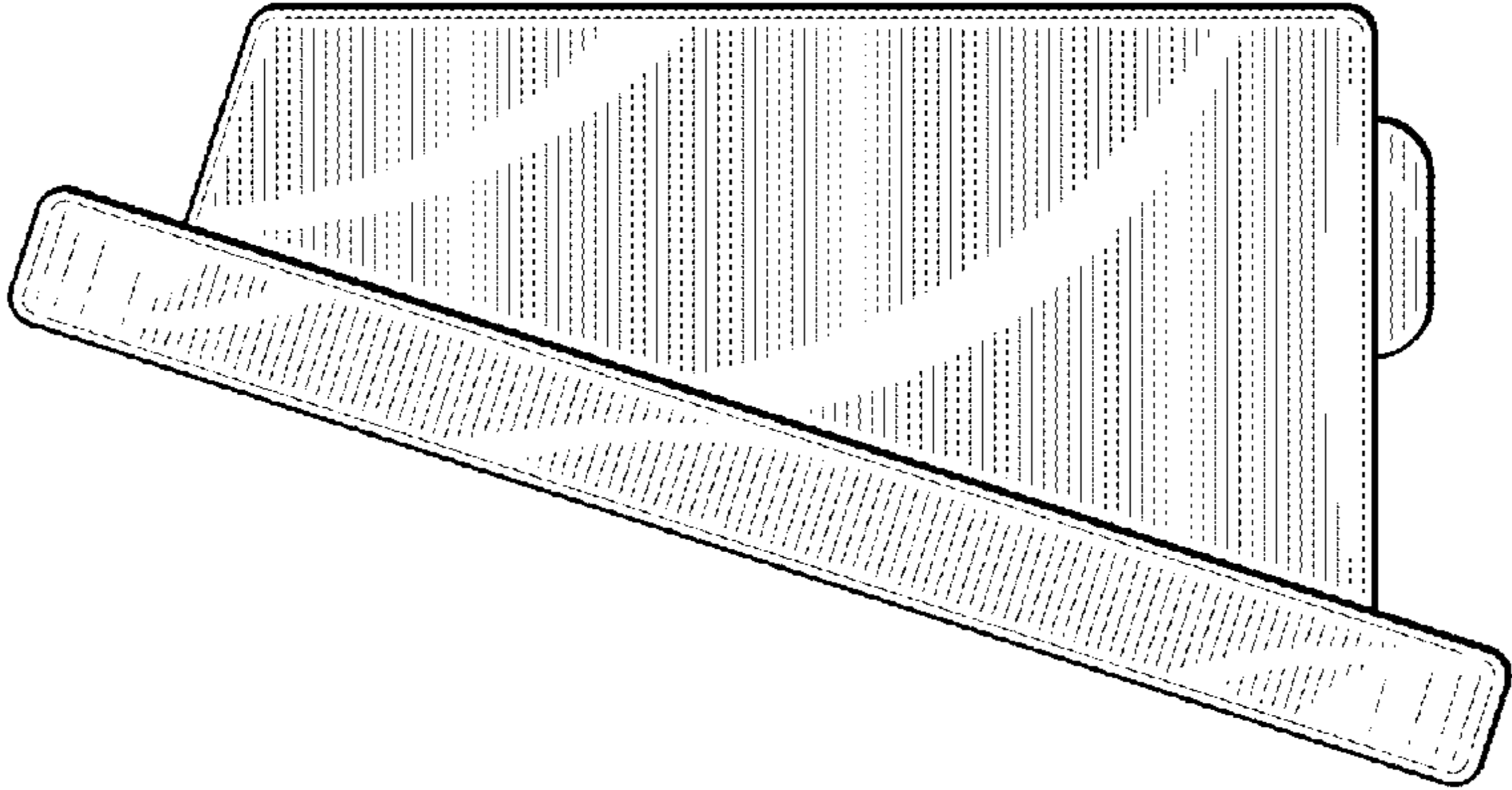


FIG. 13