



US00D710714S

(12) **United States Design Patent**
Monachon

(10) **Patent No.:** **US D710,714 S**

(45) **Date of Patent:** **** Aug. 12, 2014**

(54) **WATCH**

(71) Applicant: **Omega SA (Omega AG) (Omega Ltd.)**,
Biel/Bienne (CH)

(72) Inventor: **Jean-Claude Monachon**, Bevaix (CH)

(73) Assignee: **Omega Ltd.**, Biel/Bienne (CH)

(**) Term: **14 Years**

(21) Appl. No.: **29/480,575**

(22) Filed: **Jan. 28, 2014**

(30) **Foreign Application Priority Data**

Jul. 29, 2013 (WO) DM/081 429

(51) **LOC (10) Cl.** **10-02**

(52) **U.S. Cl.**
USPC **D10/39**

(58) **Field of Classification Search**
USPC D10/30-39, 122-132; 368/276, 282,
368/281, 80, 223, 228, 232
See application file for complete search history.

(56) **References Cited**

U.S. PATENT DOCUMENTS

| | | | |
|---------------|--------|-----------|----------|
| 1,142,554 A * | 6/1915 | Ditesheim | 368/281 |
| 1,426,554 A * | 8/1922 | Daving | 24/600.9 |
| D64,869 S * | 6/1924 | Strasser | D10/39 |
| D64,873 S * | 6/1924 | Strasser | D10/39 |
| 1,536,607 A * | 5/1925 | Buhlman | 368/294 |
| 1,792,904 A * | 2/1931 | Hanson | 368/288 |

| | | | |
|---------------|---------|------------|---------|
| 1,905,682 A * | 4/1933 | Carlson | 368/281 |
| 2,028,791 A * | 1/1936 | Lynds | 224/174 |
| 2,235,095 A * | 3/1941 | Barthman | 40/728 |
| D151,301 S * | 10/1948 | Tuffo | D10/31 |
| 2,541,432 A * | 2/1951 | Muehlbauer | 224/165 |
| D401,864 S * | 12/1998 | Navera | D10/32 |
| D446,131 S * | 8/2001 | Monachon | D10/39 |
| D458,853 S * | 6/2002 | Finazzi | D10/39 |
| D489,272 S * | 5/2004 | Messmer | D10/38 |
| D496,296 S * | 9/2004 | Nataf | D10/126 |
| D553,020 S * | 10/2007 | Sirmakes | D10/32 |
| D558,615 S * | 1/2008 | Sirmakes | D10/39 |
| D565,429 S * | 4/2008 | Modolo | D10/32 |
| D573,902 S * | 7/2008 | Modolo | D10/39 |
| D650,708 S * | 12/2011 | Laucella | D10/39 |

* cited by examiner

Primary Examiner — Lucy Lieberman

(74) *Attorney, Agent, or Firm* — Donald J. Ranft; Collen IP

(57) **CLAIM**

The ornamental design for a watch, as shown.

DESCRIPTION

FIG. 1 is a front right perspective view of a watch showing my new design;

FIG. 2 is a front view thereof;

FIG. 3 is a rear view thereof;

FIG. 4 is a right side view thereof;

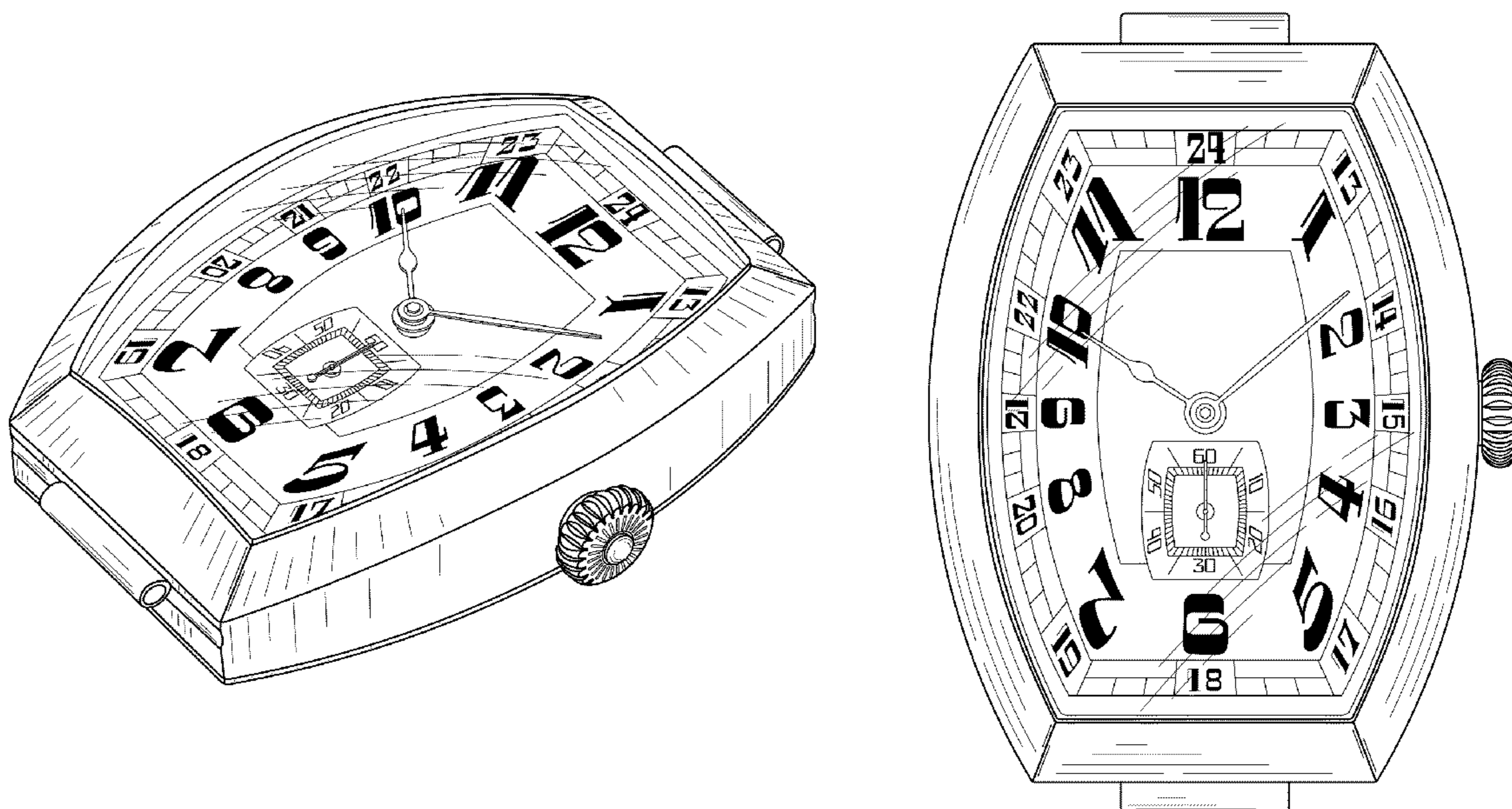
FIG. 5 is a left side view thereof;

FIG. 6 is a bottom view thereof;

FIG. 7 is a top view thereof; and,

FIG. 8 is a rear left perspective view thereof.

1 Claim, 6 Drawing Sheets



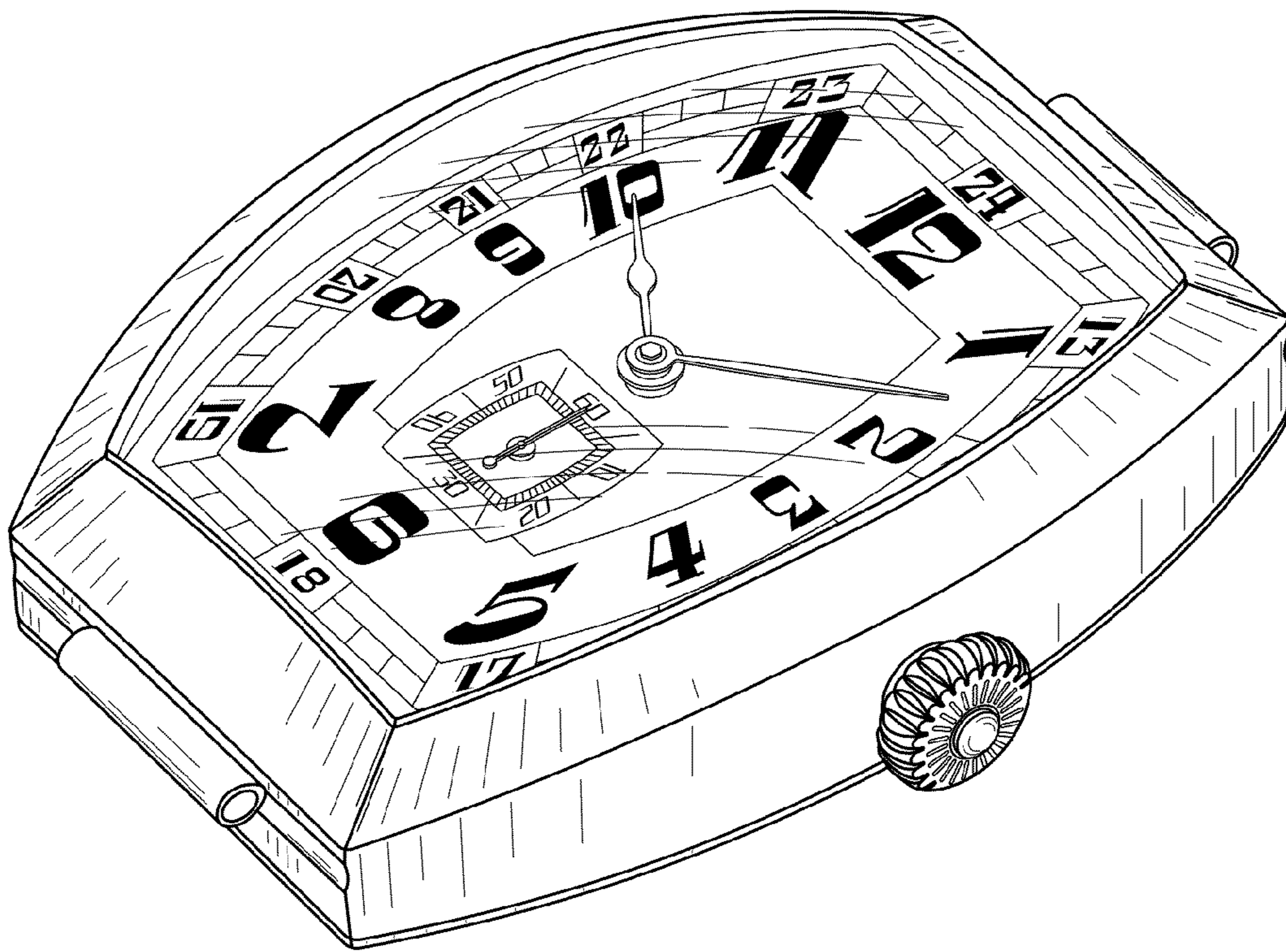


FIG. 1

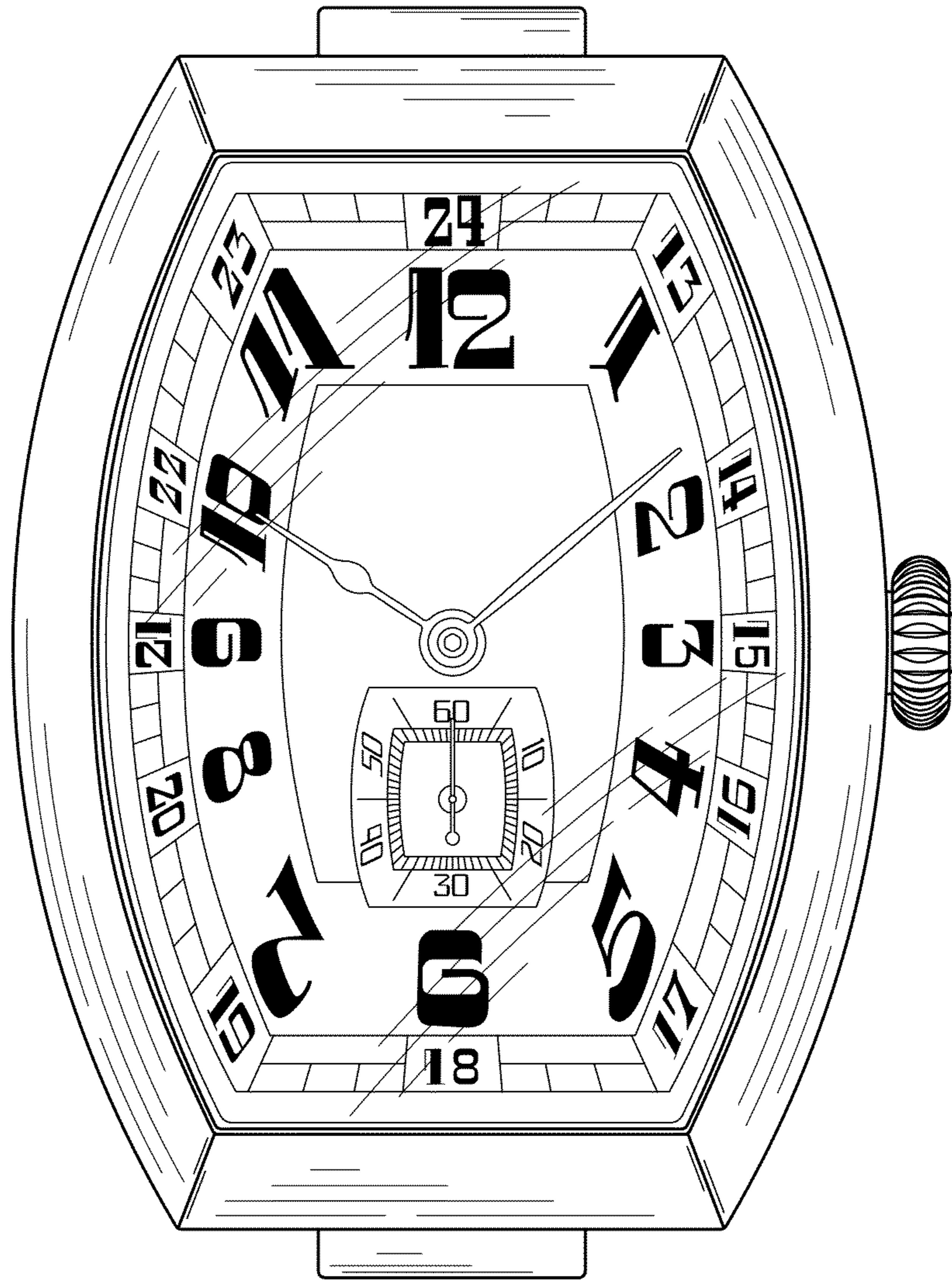


FIG. 2

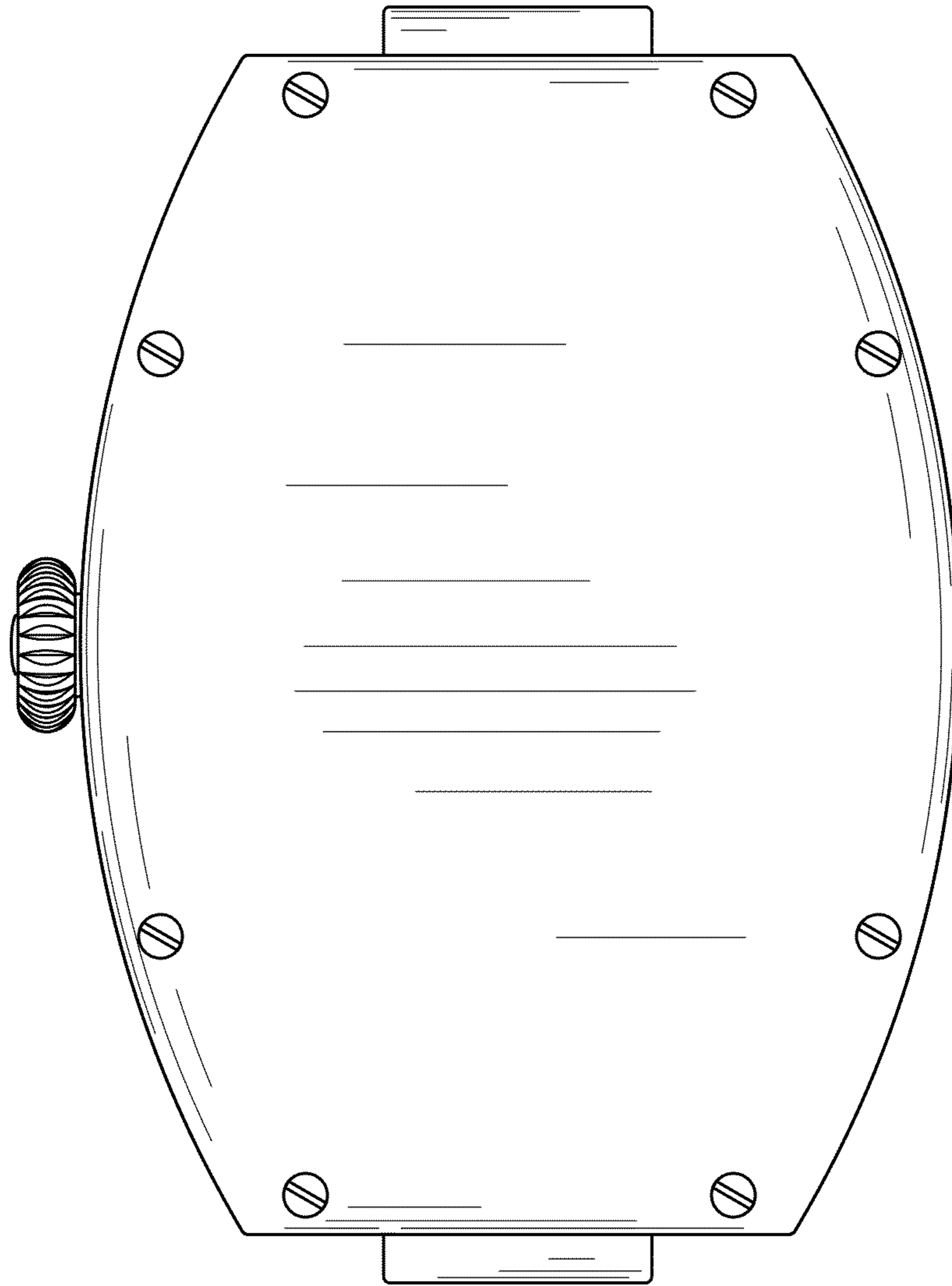


FIG. 3

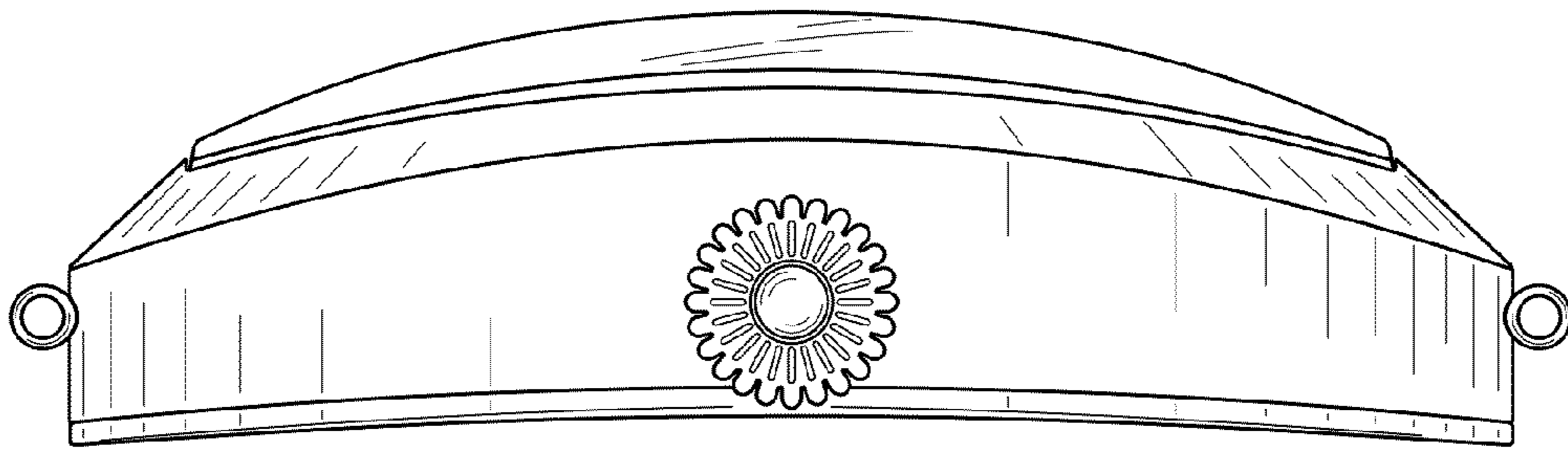


FIG. 4

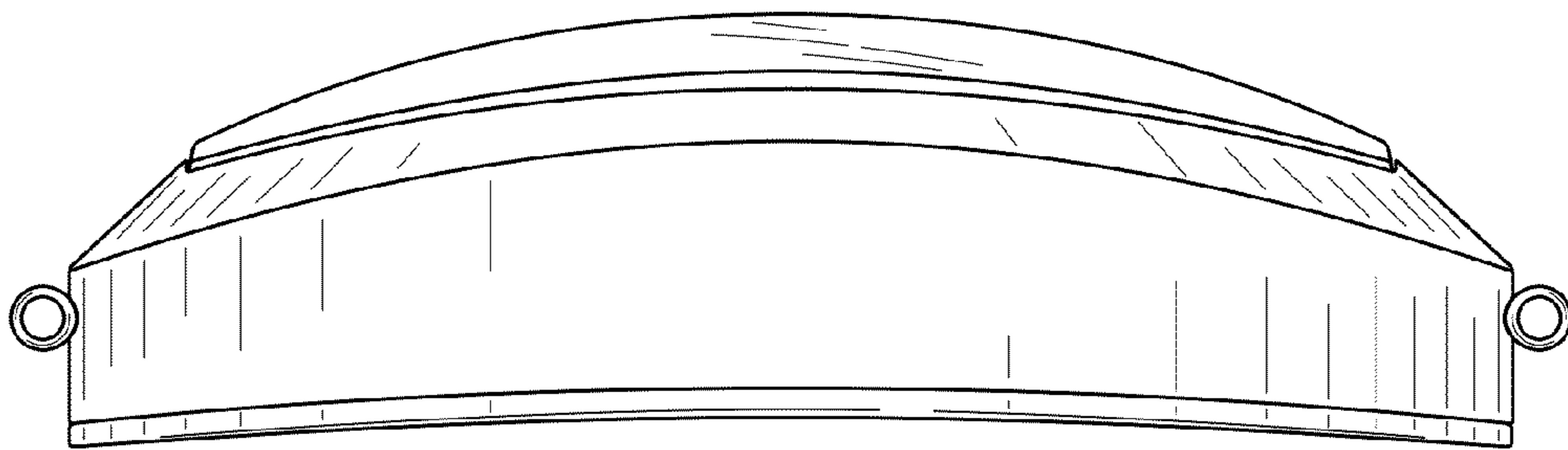


FIG. 5

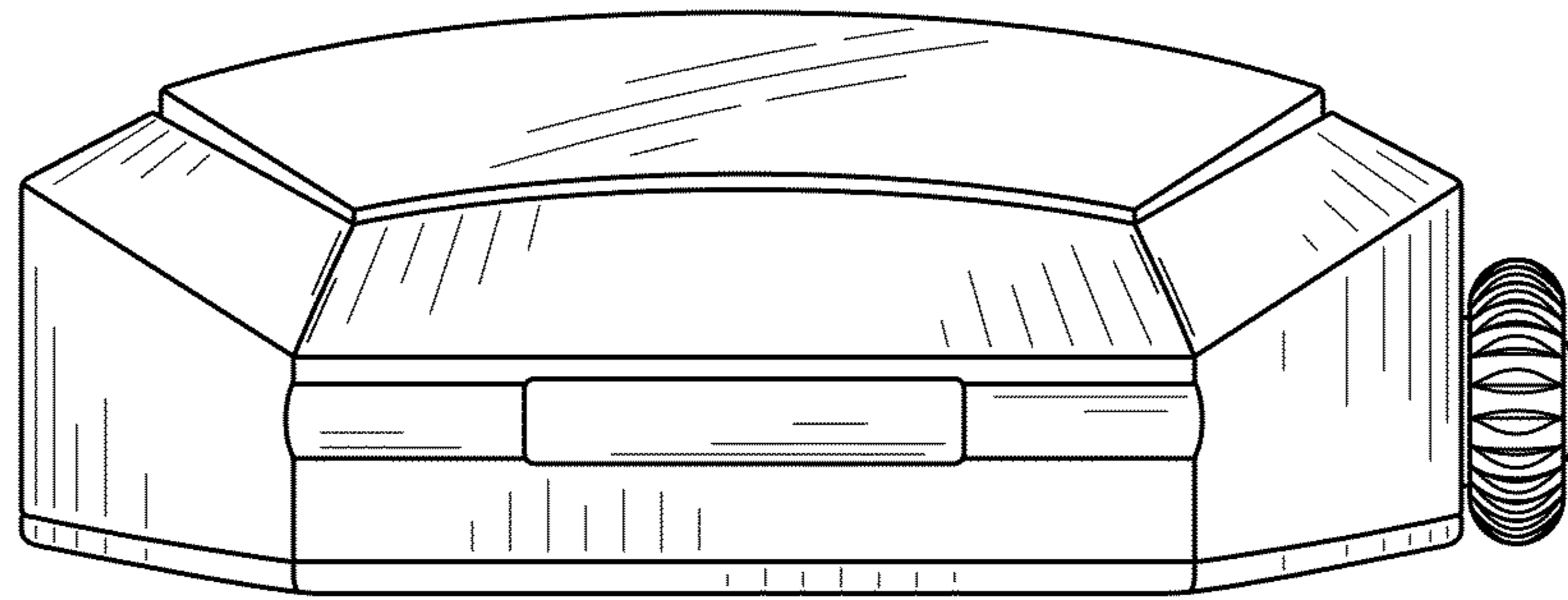


FIG. 6

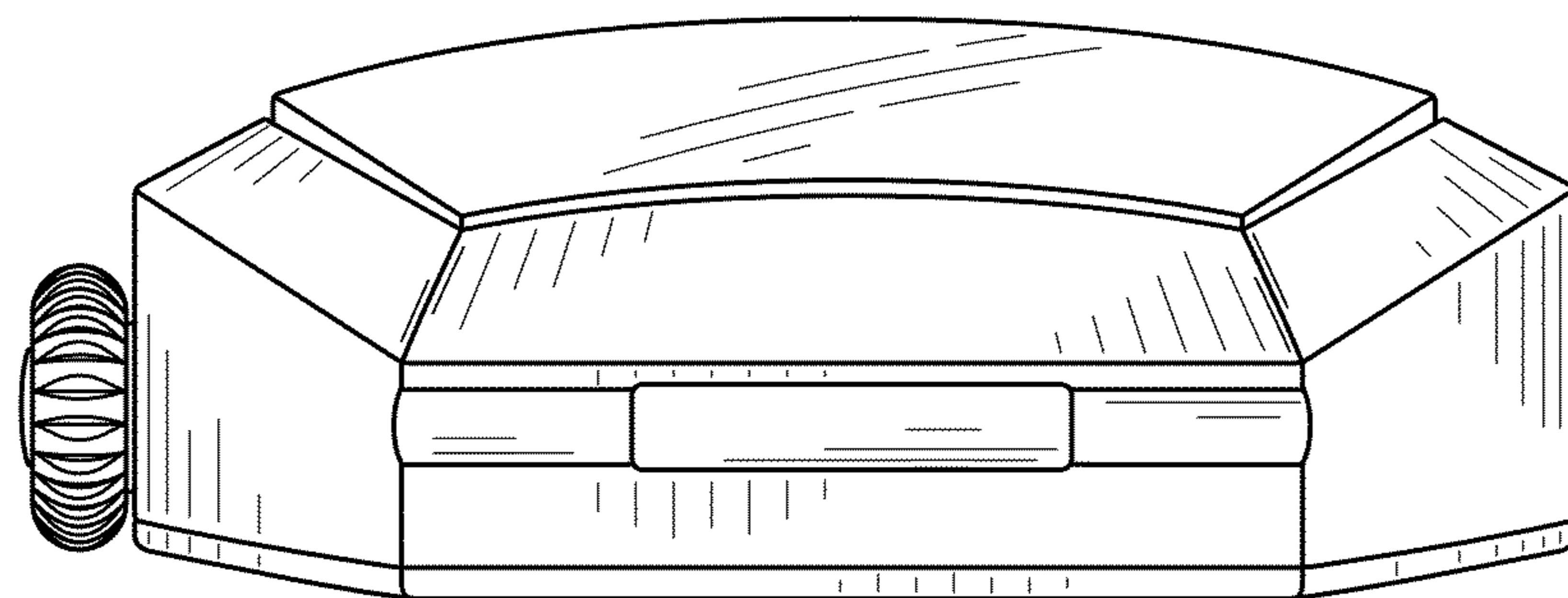


FIG. 7

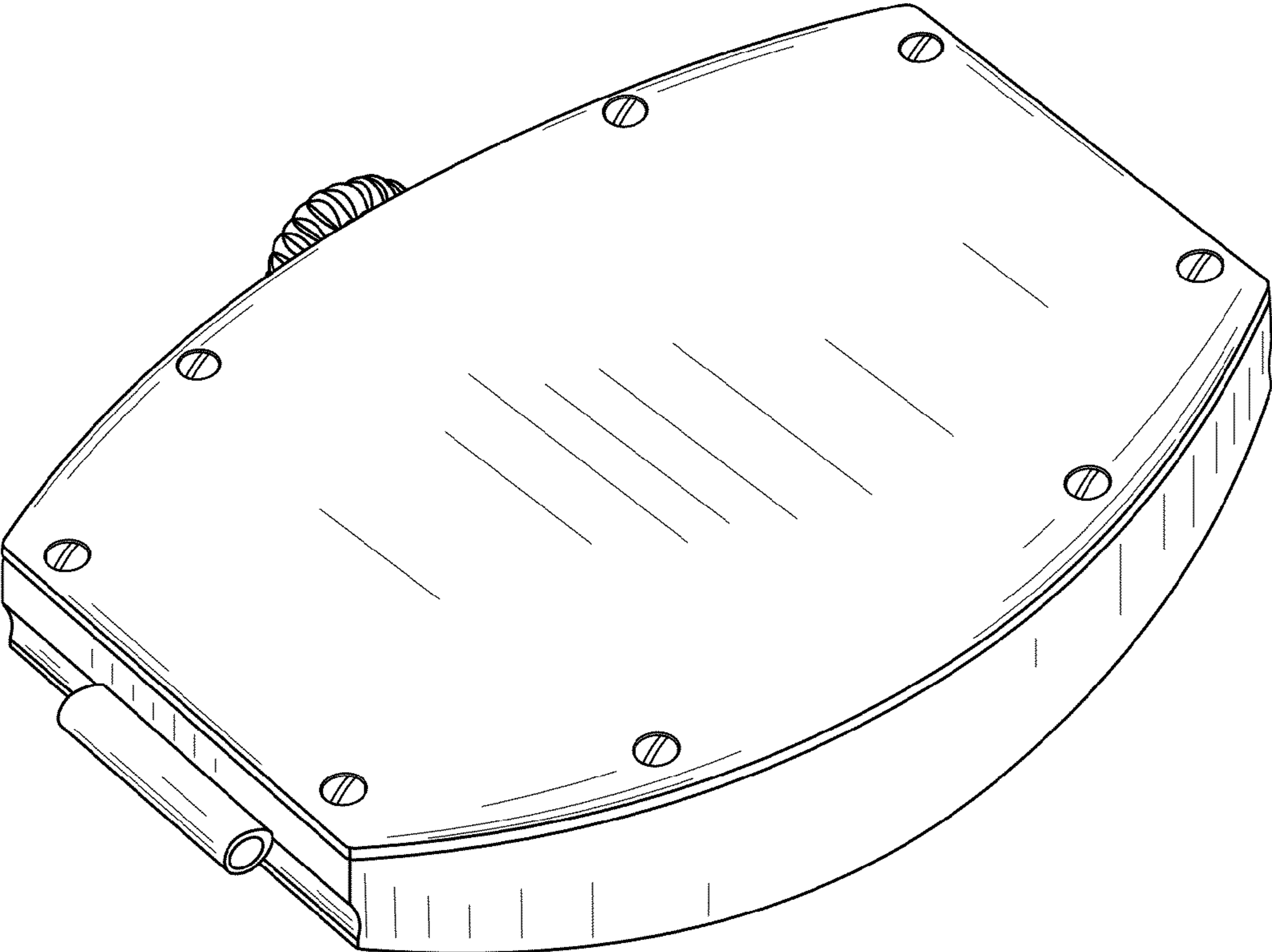


FIG. 8