



US00D710702S

(12) **United States Design Patent**
Damatov

(10) **Patent No.:** **US D710,702 S**
(45) **Date of Patent:** **** Aug. 12, 2014**

(54) **PORTABLE COMPONENT RETAINER**

(71) Applicant: **Isaak Damatov**, Medford, MA (US)

(72) Inventor: **Isaak Damatov**, Medford, MA (US)

(**) Term: **14 Years**

(21) Appl. No.: **29/467,473**

(22) Filed: **Sep. 19, 2013**

(51) **LOC (10) Cl.** **09-07**

(52) **U.S. Cl.**
USPC **D9/456; D6/300**

(58) **Field of Classification Search**
CPC B65D 35/44; B65D 47/40; B65D 85/00
USPC D9/456, 431-434; D7/387, 388, 391,
D7/601; D3/272, 318, 319; 219/730;
206/526, 557, 587, 592; D15/89;
D6/300; 40/792

See application file for complete search history.

(56) **References Cited**

U.S. PATENT DOCUMENTS

1,692,999	A *	11/1928	Siegel	40/732
2,602,254	A *	7/1952	Diekmann	40/768
2,805,506	A *	9/1957	Thompson	40/781
2,806,310	A *	9/1957	Boyd	40/789
3,030,057	A *	4/1962	Wright	248/470
3,161,975	A *	12/1964	McMillan	40/718
3,208,876	A *	9/1965	Dodge	428/142
D206,217	S *	11/1966	Howell	D6/300
3,283,431	A *	11/1966	Pearlman	40/790
3,745,680	A *	7/1973	Faust	40/732
D235,722	S *	7/1975	Rettick	D6/300
4,177,590	A *	12/1979	Tushner et al.	40/792
D254,643	S *	4/1980	Ashenfarb	D6/308
D256,779	S *	9/1980	Stahel, II	D9/432
4,223,739	A *	9/1980	Waters	169/52
4,236,847	A *	12/1980	Yasuda	403/402
D261,846	S *	11/1981	Ferguson	D6/310

4,879,824	A *	11/1989	Galloway	40/763
D311,338	S *	10/1990	Serio, Jr.	D9/434
5,058,298	A *	10/1991	Burns	40/791
D345,654	S *	4/1994	Bisconti	D6/300
D350,441	S *	9/1994	Grauert	D6/300
D366,183	S *	1/1996	Sintchak	D7/388
5,479,733	A *	1/1996	Kusina	40/785
5,534,971	A *	7/1996	Gaetano	355/126
5,557,586	A *	9/1996	McCuan et al.	368/80
D409,393	S *	5/1999	Cain	D6/300
D409,843	S *	5/1999	Chevallier	D6/300
D415,355	S *	10/1999	Lewis	D6/300
D452,995	S *	1/2002	Barry	D6/300
D460,691	S *	7/2002	Morris et al.	D9/456
6,412,638	B1 *	7/2002	Carter	206/557
D509,072	S *	9/2005	Babich	D6/300
D519,375	S *	4/2006	Brooks	D9/456
D545,573	S *	7/2007	Vincent	D6/300
D566,430	S *	4/2008	Austin et al.	D6/477
D586,369	S *	2/2009	Bae	D15/89
D591,555	S *	5/2009	Sanfilippo et al.	D7/391
D598,662	S *	8/2009	Stein	D6/300
D601,854	S *	10/2009	Rubin	D7/554.3
D630,096	S *	1/2011	Doster	D9/456
D649,663	S *	11/2011	Tarter et al.	D25/199

(Continued)

Primary Examiner — Susan Bennett Hattan

Assistant Examiner — Marie Fast Horse

(74) *Attorney, Agent, or Firm* — Bay State IP, LLC

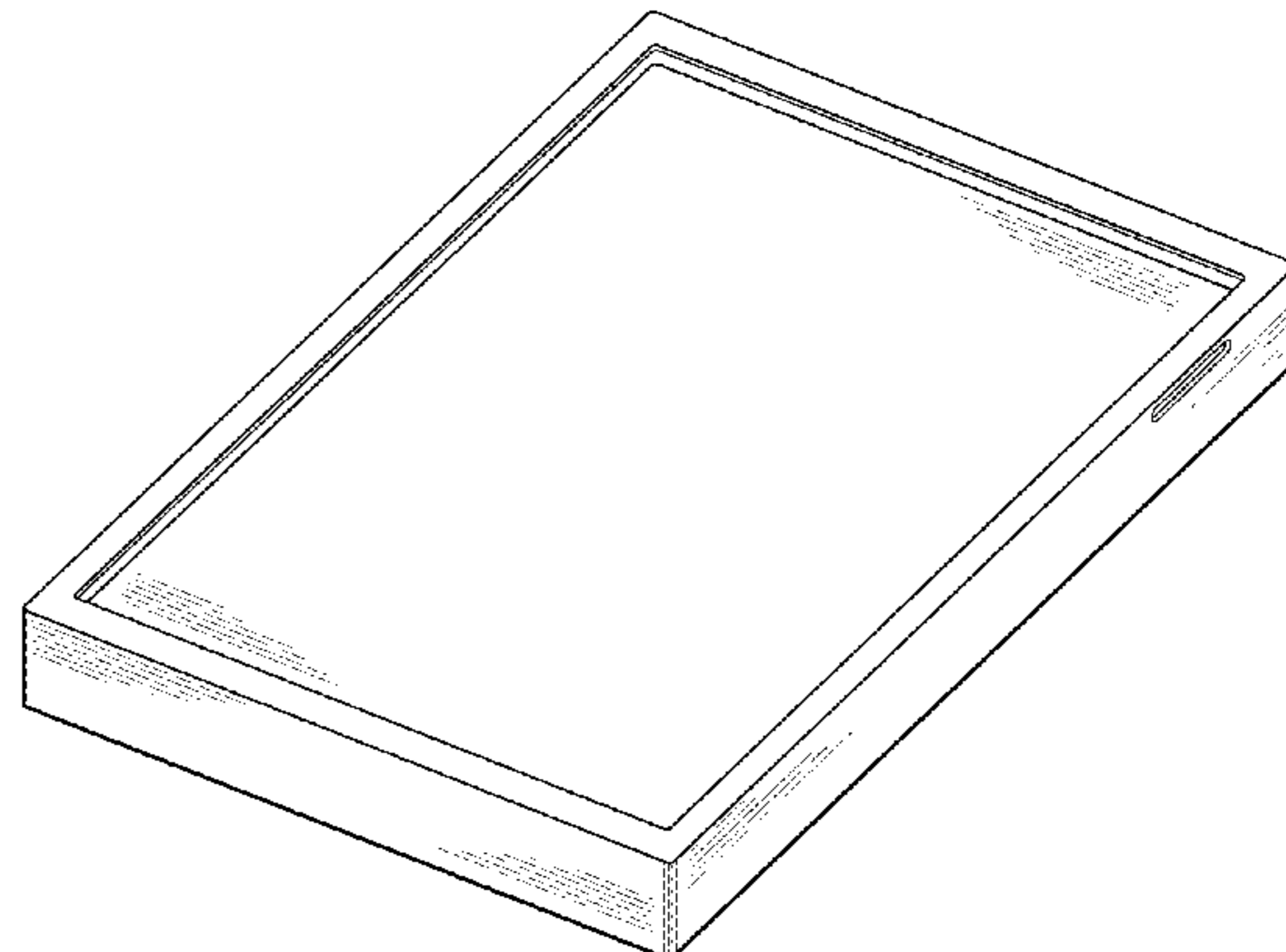
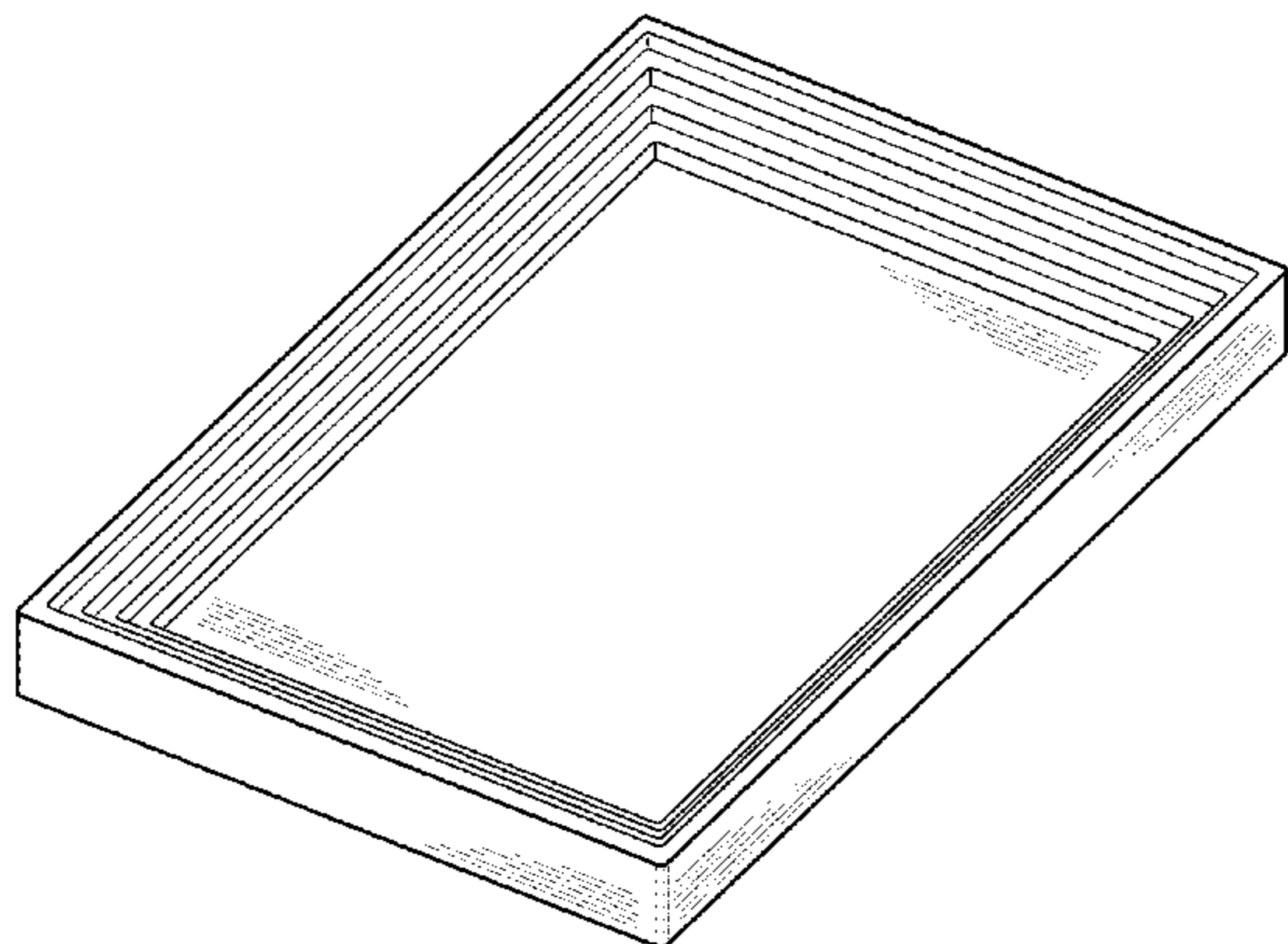
(57) **CLAIM**

We claim the ornamental design for a portable component retainer, as shown and described.

DESCRIPTION

FIG. 1 is a top perspective view showing my new design;
FIG. 2 is a front view thereof;
FIG. 3 is a bottom perspective view thereof;
FIG. 4 is a side view thereof; and,
FIG. 5 is a side view thereof.

1 Claim, 2 Drawing Sheets



US D710,702 S

Page 2

(56)

References Cited

U.S. PATENT DOCUMENTS

2001/0050732	A1 *	12/2001	Okamoto et al.	349/58	
2007/0006504	A1 *	1/2007	Kao	40/765	* cited by examiner
2007/0089343	A1 *	4/2007	Goldman	40/737	
2012/0260548	A1 *	10/2012	Andrulewich	40/743	
2013/0038989	A1 *	2/2013	Chang	361/679.01	

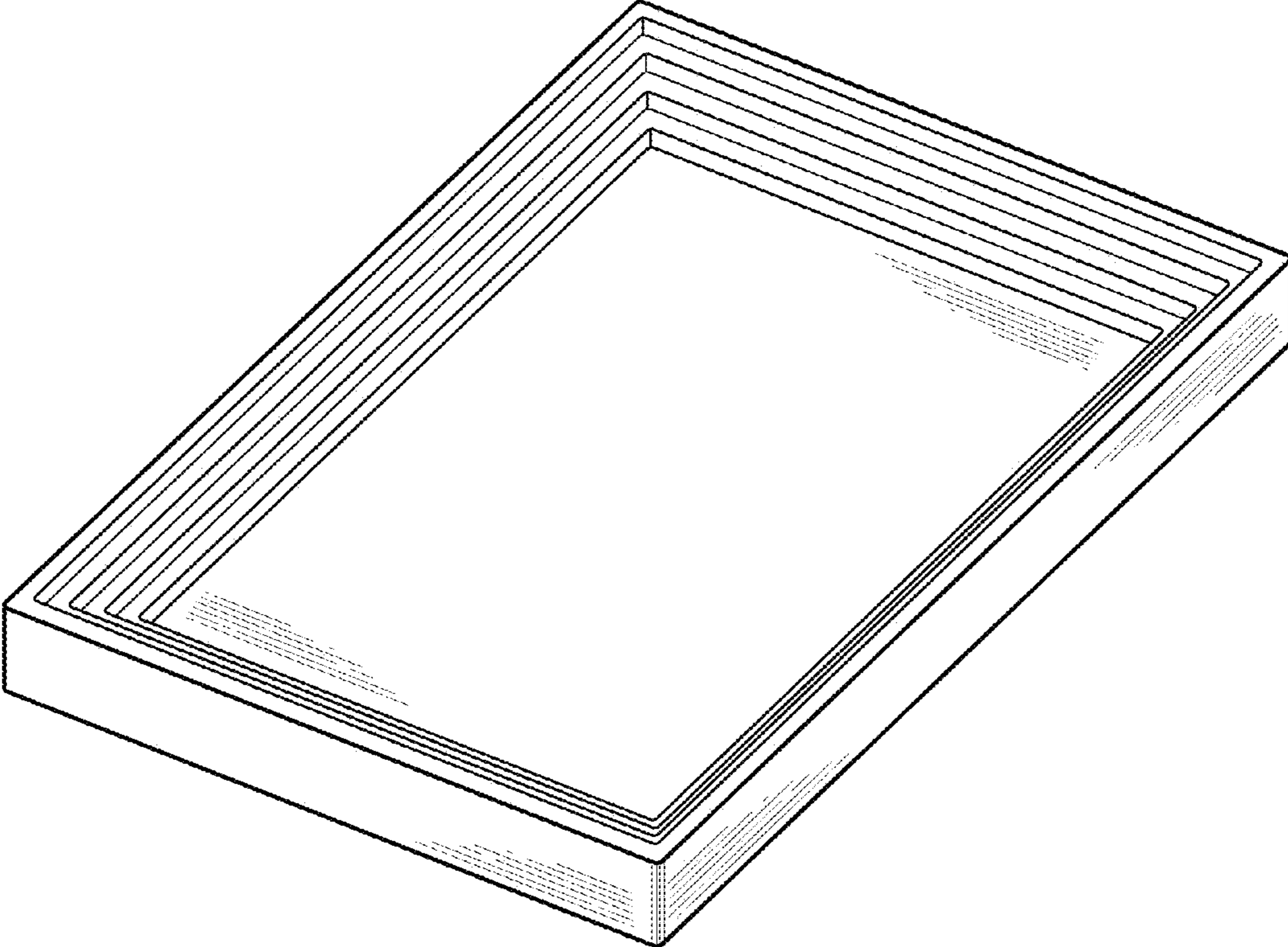


Fig. 1



Fig. 2

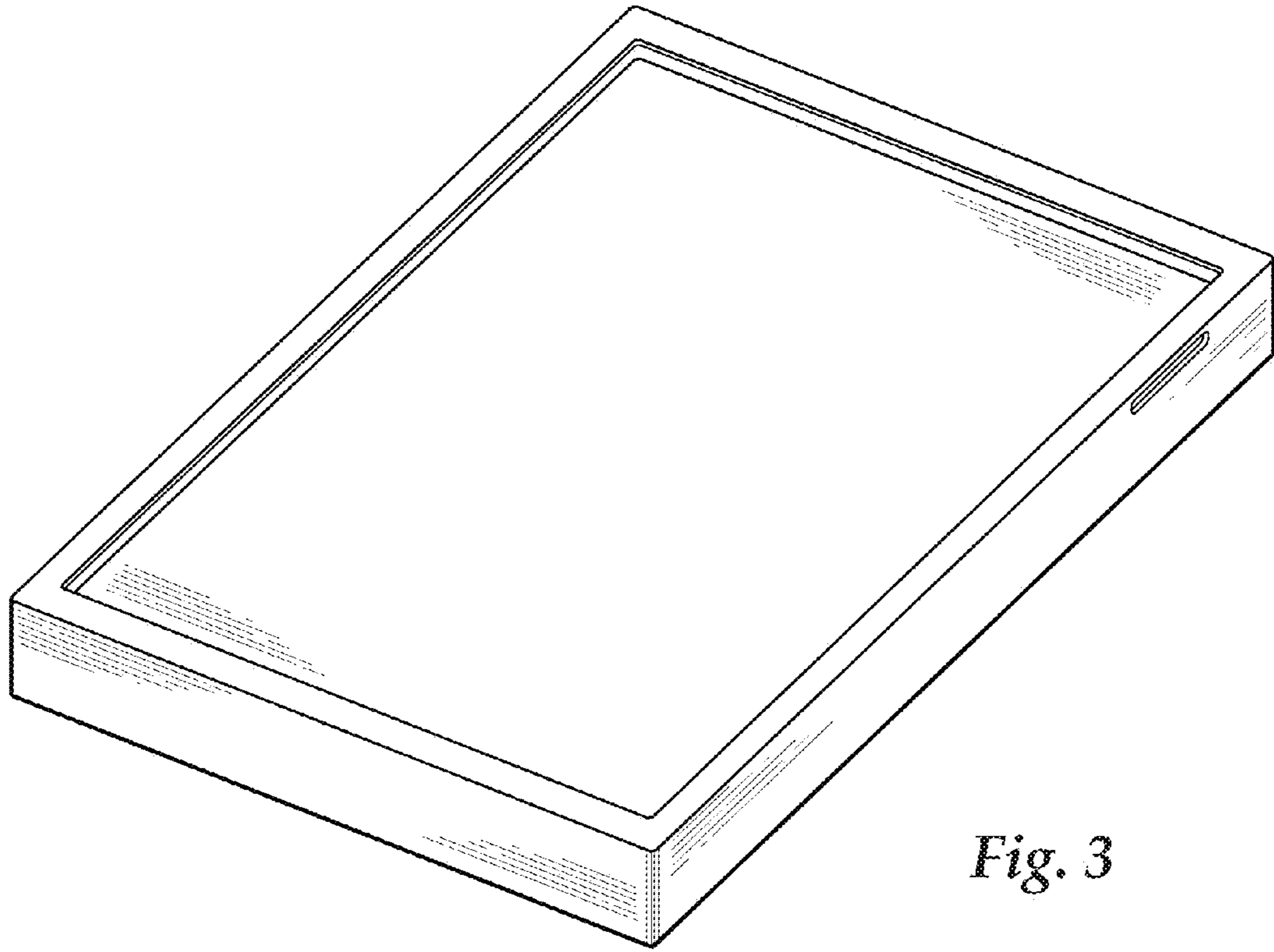


Fig. 3



Fig. 4



Fig. 5