



US00D710697S

(12) **United States Design Patent**
Lind

(10) **Patent No.:** **US D710,697 S**

(45) **Date of Patent:** **** Aug. 12, 2014**

(54) **AEROSOL ACTUATOR FOR AN AEROSOL DEVICE**

(75) Inventor: **James Lind**, Lenexa, KS (US)

(73) Assignee: **MeadWestvaco Calmar, Inc.**,
Richmond, VA (US)

(**) Term: **14 Years**

(21) Appl. No.: **29/412,424**

(22) Filed: **Feb. 2, 2012**

(51) **LOC (10) Cl.** **09-07**

(52) **U.S. Cl.**
USPC **D9/448**

(58) **Field of Classification Search**
USPC D9/434, 435, 448, 449; D23/213, 226;
222/323, 383.1, 383.3, 402.15;
239/120, 215, 333, 394, 526, 539;
417/178, 198, 411

See application file for complete search history.

(56) **References Cited**

U.S. PATENT DOCUMENTS

D476,558 S * 7/2003 Cho et al. D9/685
D481,305 S * 10/2003 Walters et al. D9/685
D525,123 S * 7/2006 Walters et al. D9/448
D536,970 S * 2/2007 Shannan et al. D9/448

D538,650 S * 3/2007 Paas et al. D9/448
7,249,692 B2 * 7/2007 Walters et al. 222/153.11
D580,761 S * 11/2008 Sweeton D9/448
D582,272 S * 12/2008 Cichy D9/448
D613,599 S * 4/2010 Khubani D9/446
D623,517 S * 9/2010 Pechinot D9/449
2010/0219211 A1 * 9/2010 Smith et al. 222/402.15

* cited by examiner

Primary Examiner — Robert M Spear

(74) *Attorney, Agent, or Firm* — MeadWestvaco Intellectual Property Team

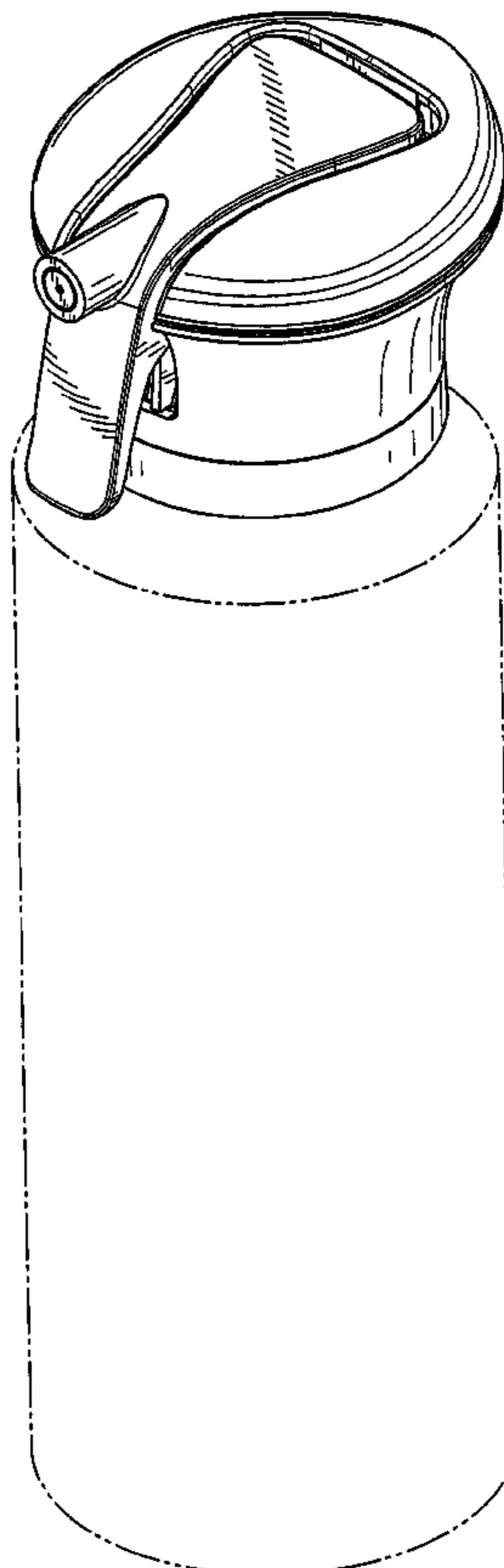
(57) **CLAIM**

The ornamental design for an aerosol actuator for an aerosol device, as shown and described.

DESCRIPTION

FIG. 1 is a perspective view of an aerosol actuator for an aerosol device showing the new design; FIG. 2 is a front view of the new design; FIG. 3 is a back view of the new design; FIG. 4 is a right view of the new design; FIG. 5 is a left view of the new design; FIG. 6 is a top view of the new design; and, FIG. 7 is a bottom view of the new design. The broken-line disclosure is understood to represent unclaimed portions of the article in which the claimed design is embodied.

1 Claim, 4 Drawing Sheets



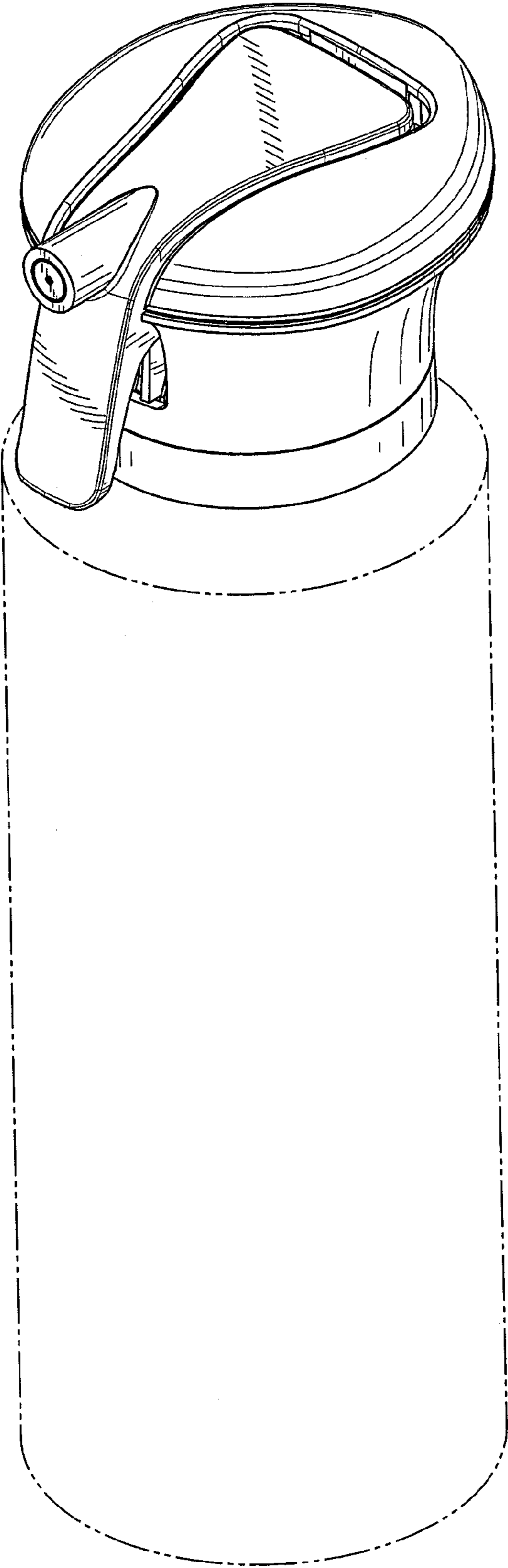


FIG. 1

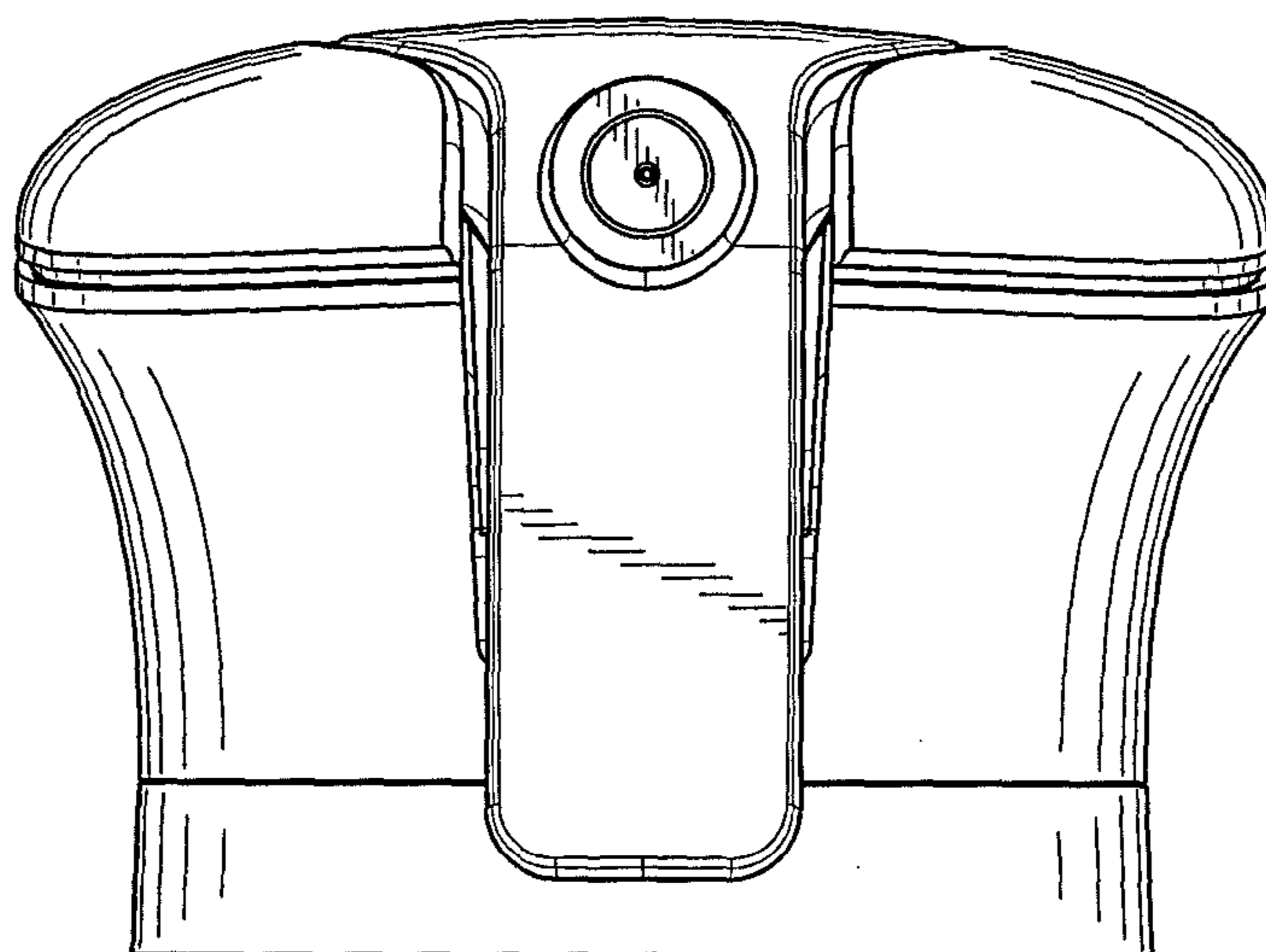


FIG. 2

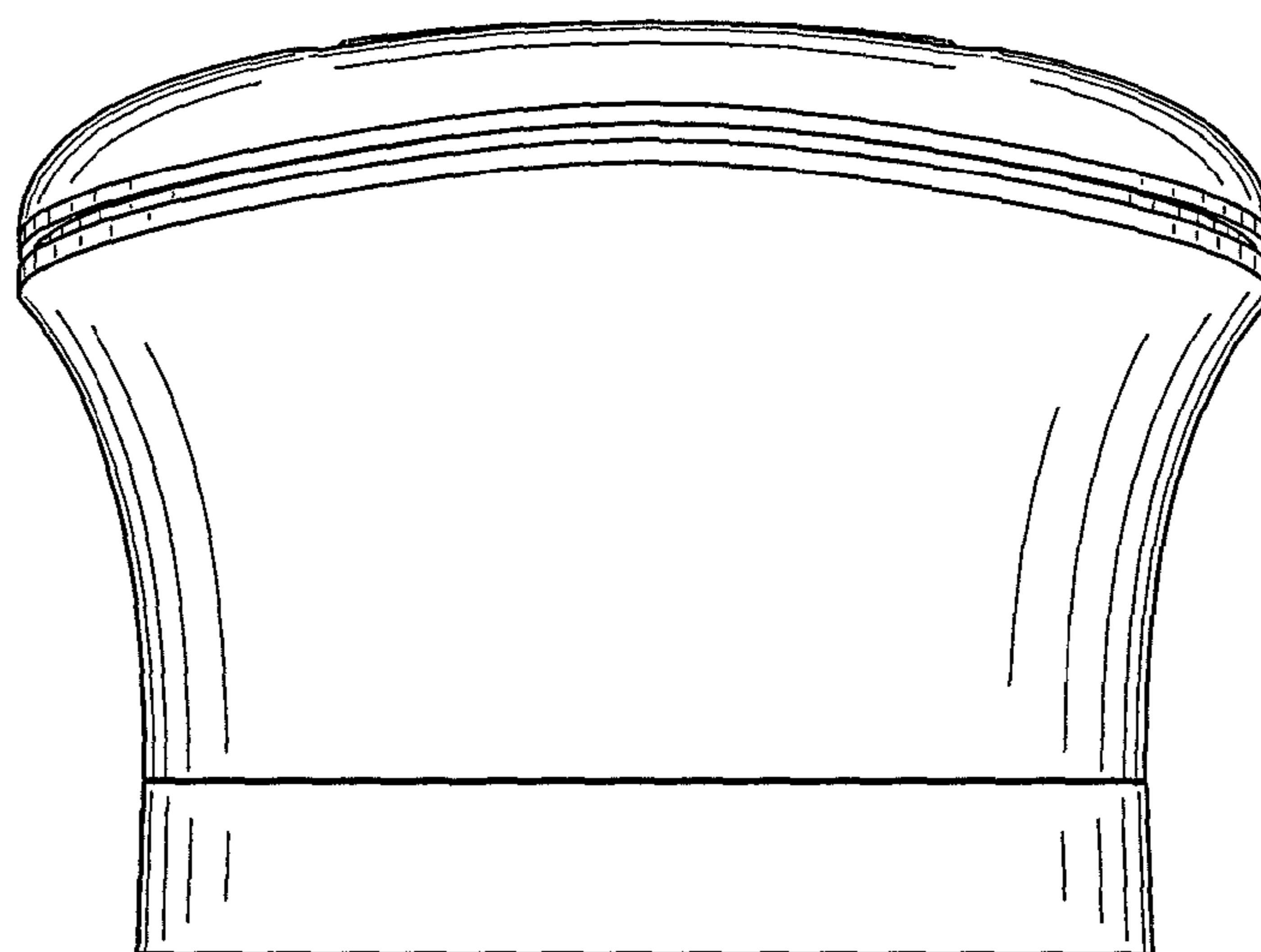


FIG. 3

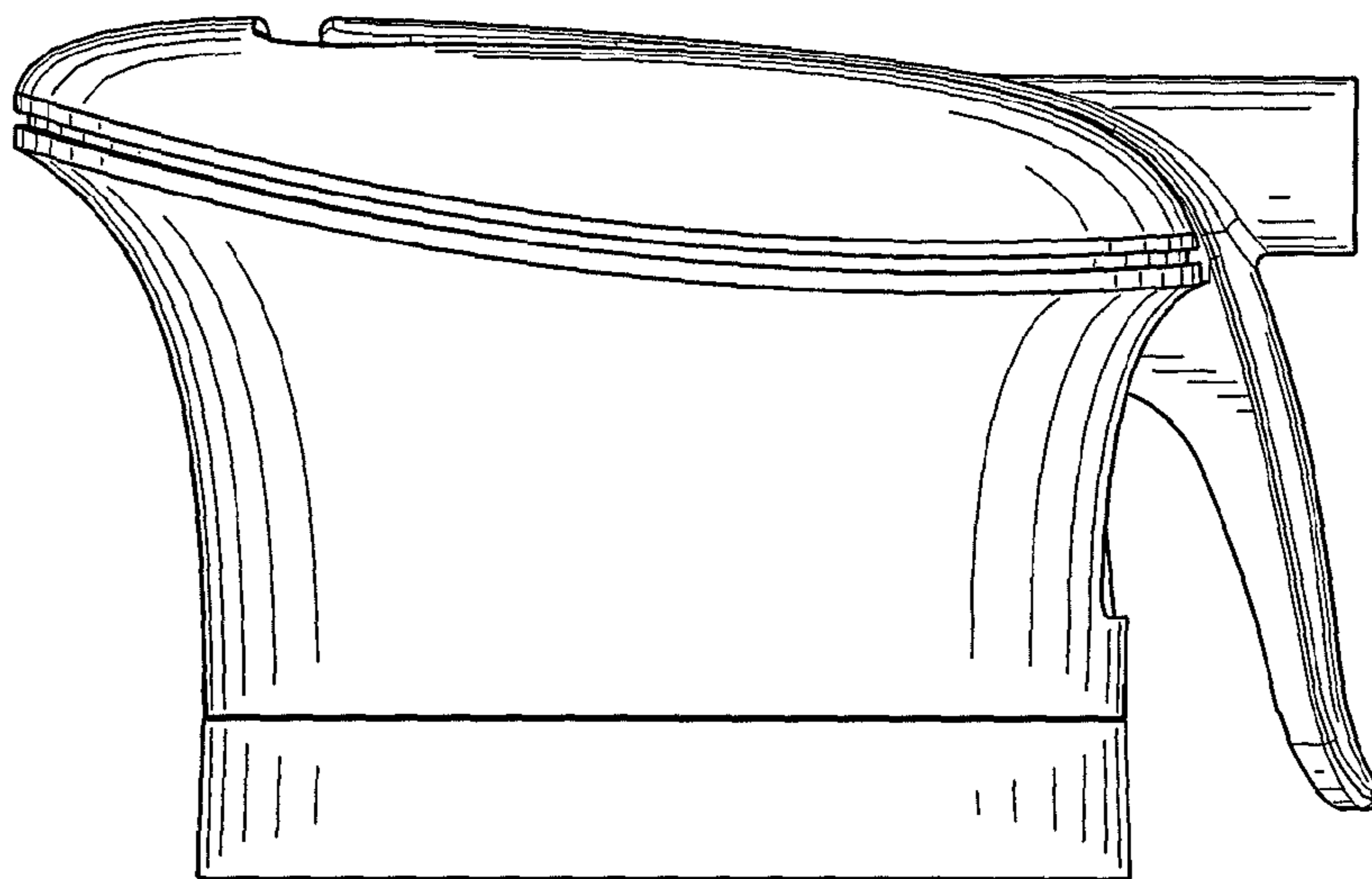


FIG. 4

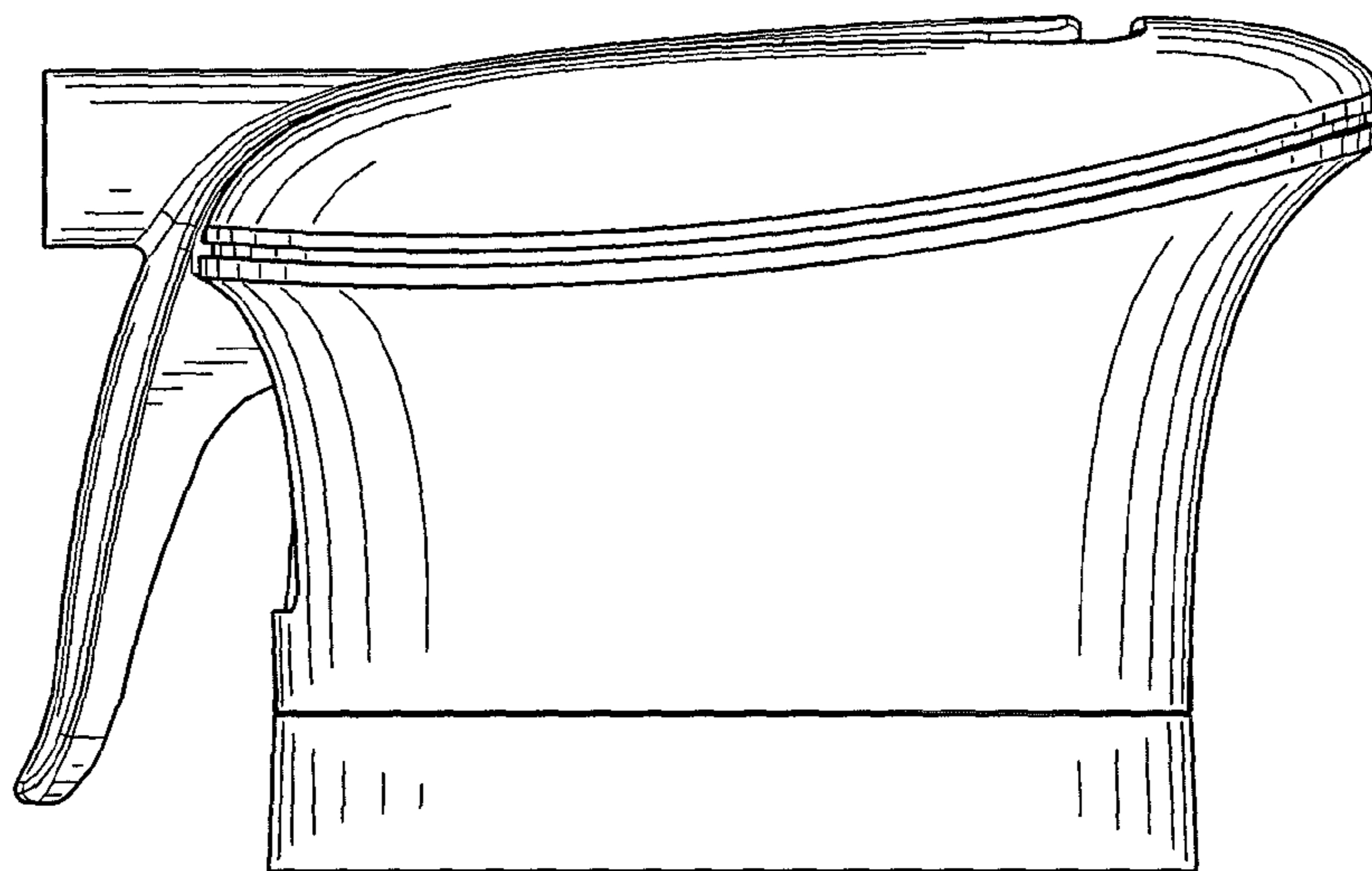


FIG. 5

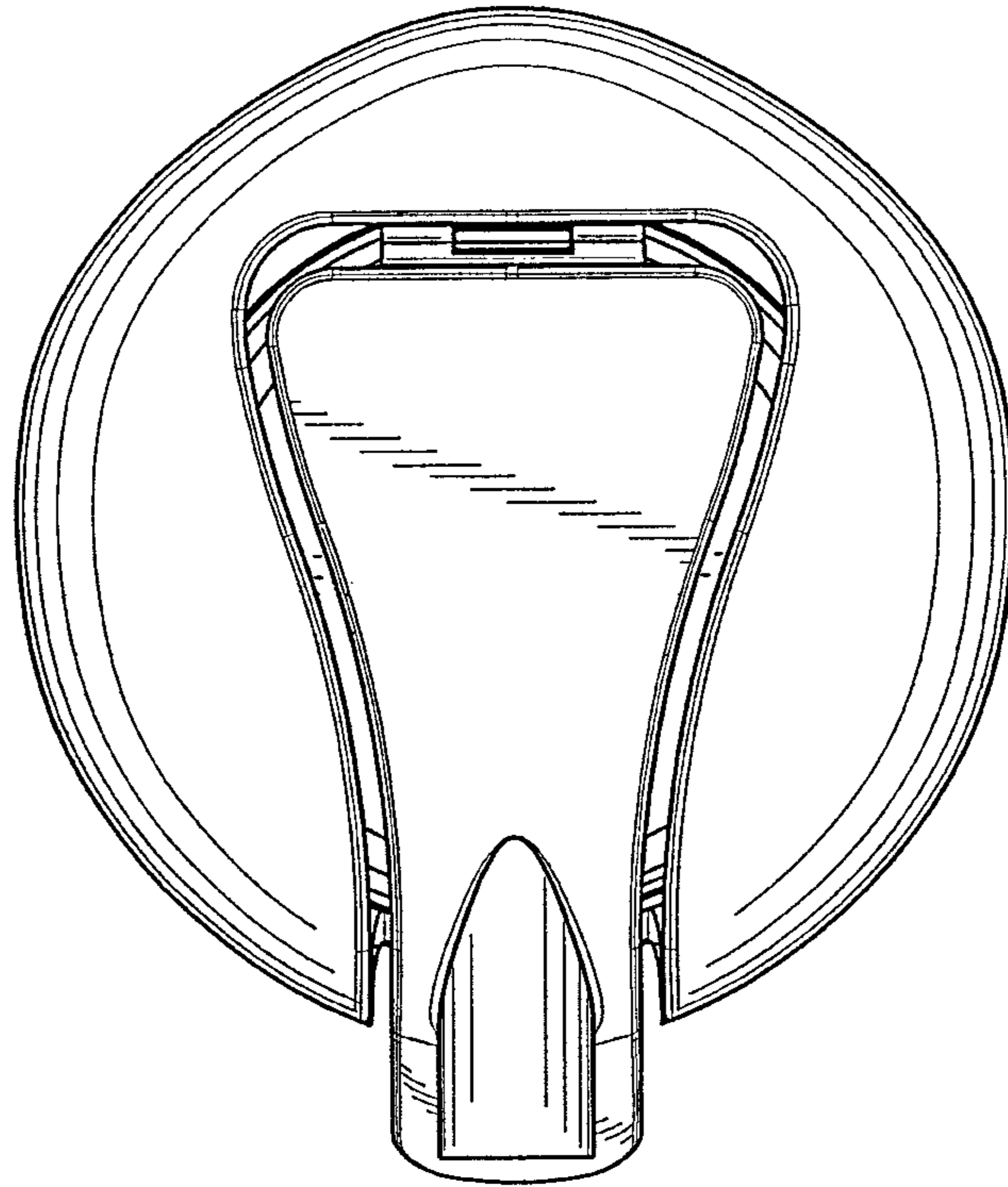


FIG. 6

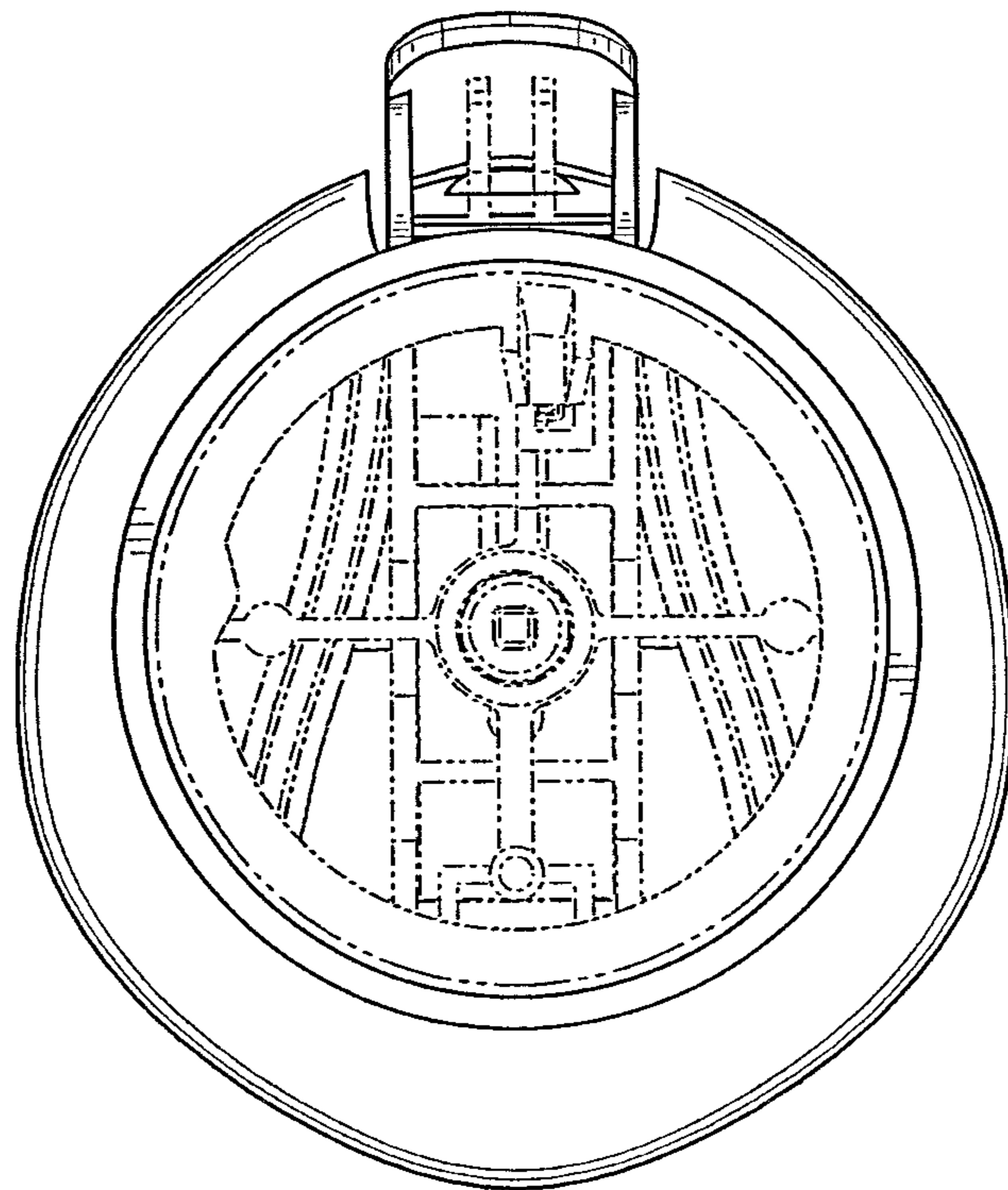


FIG. 7