



US00D710696S

(12) **United States Design Patent**
Kwon

(10) **Patent No.:** **US D710,696 S**

(45) **Date of Patent:** **** Aug. 12, 2014**

(54) **FOOD CONTAINER COVER**

(56)

References Cited

(71) Applicant: **Kitaek Kwon**, Yongin-si (KR)

U.S. PATENT DOCUMENTS

(72) Inventor: **Kitaek Kwon**, Yongin-si (KR)

D266,818	S	*	11/1982	Trombly	D7/392.1
4,714,174	A	*	12/1987	Williams	220/501
D373,704	S	*	9/1996	Doxey	D7/391
D380,385	S	*	7/1997	Litke	D9/452
D525,127	S	*	7/2006	Cogley et al.	D9/456
D526,564	S	*	8/2006	Slavin et al.	D9/454
D563,785	S	*	3/2008	Maki et al.	D9/454
D564,354	S	*	3/2008	Maravich et al.	D9/452
D574,238	S	*	8/2008	Walker et al.	D9/452
D645,748	S	*	9/2011	Sharma et al.	D9/503
D660,700	S	*	5/2012	MacNeill et al.	D9/454
D668,153	S	*	10/2012	Mavin et al.	D9/449
D677,162	S	*	3/2013	Sharma et al.	D9/454

(73) Assignee: **Cocohodo USA, Inc.**, Garden Grove, CA (US)

(**) Term: **14 Years**

(21) Appl. No.: **29/433,072**

* cited by examiner

(22) Filed: **Oct. 17, 2012**

Primary Examiner — Robert M Spear

Assistant Examiner — Marissa Cash

(51) **LOC (10) Cl.** **09-07**

(74) *Attorney, Agent, or Firm* — IPLA P.A.; James E. Bame

(52) **U.S. Cl.**

USPC **D9/447**; D7/392.1

(57) **CLAIM**

The ornamental design for a food container cover, as shown and described.

(58) **Field of Classification Search**

CPC B65D 2543/00296; B65D 2543/00842;
 B65D 2543/00092; B65D 2543/00351; B65D
 1/36; B65D 2231/005; B65D 2543/00027;
 B65D 2543/00037; B65D 2543/00972; B32B
 2439/70; A47J 47/02; A47J 36/10
 USPC D7/300, 300.1, 320, 321, 391–392.1,
 D7/396.2, 500, 507, 509, 510, 511,
 D7/538–542, 900; D9/414, 424, 432, 434,
 D9/435, 443, 444, 445, 446, 447, 452, 453,
 D9/455; 215/200, 235, 252, 254, 329,
 215/355–364; 220/203.04–203.07, 220,
 220/254.1, 254.4, 703, 704, 705, 913

DESCRIPTION

FIG. 1 is a perspective view showing a food container cover according to my new design, where the broken line showing illustrates environment only and forms no part of the claimed design;

FIG. 2 is a top plan view thereof; and,

FIG. 3 is a front elevational view thereof, a rear and side views each being a mirror image.

See application file for complete search history.

1 Claim, 2 Drawing Sheets

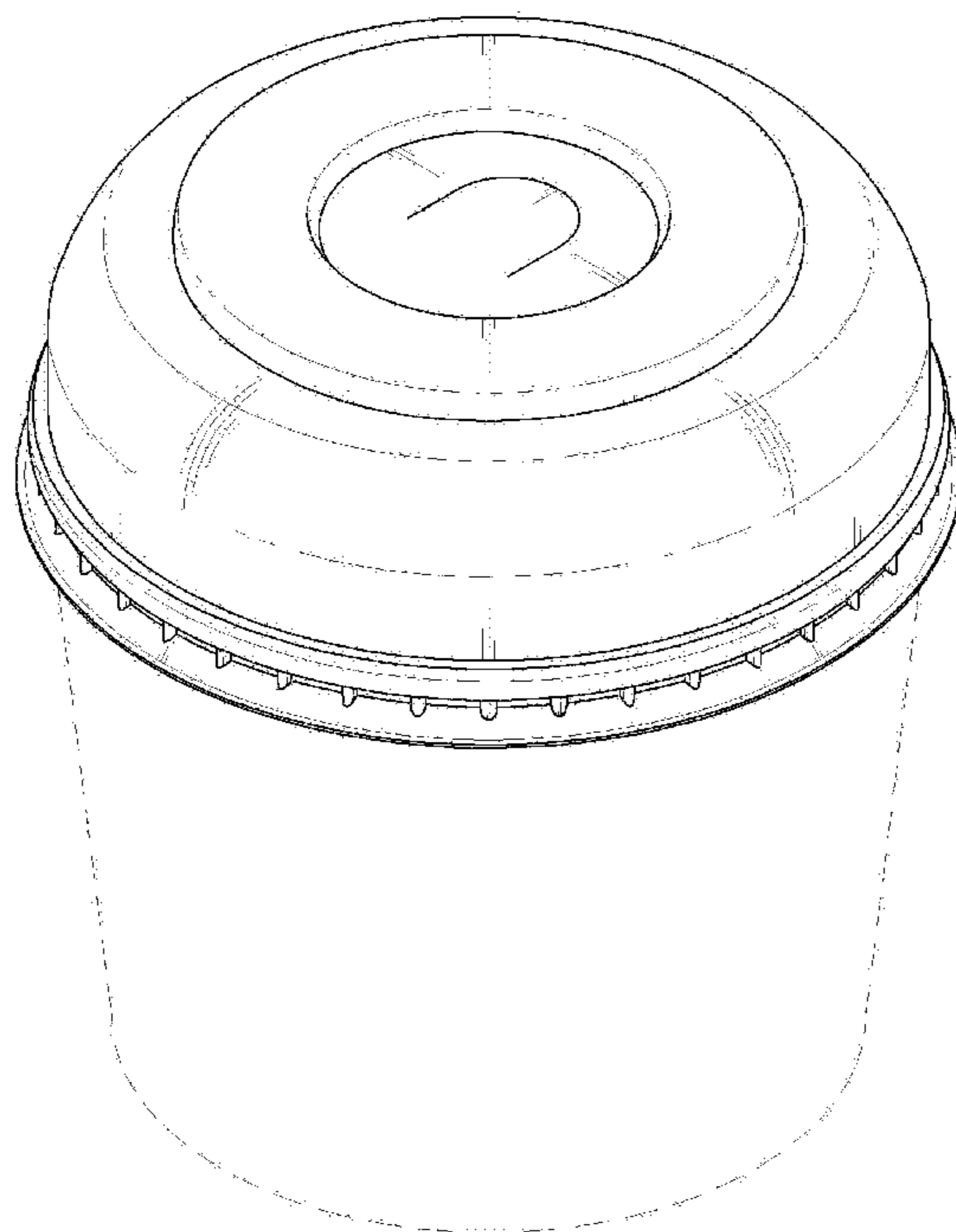


FIG. 1

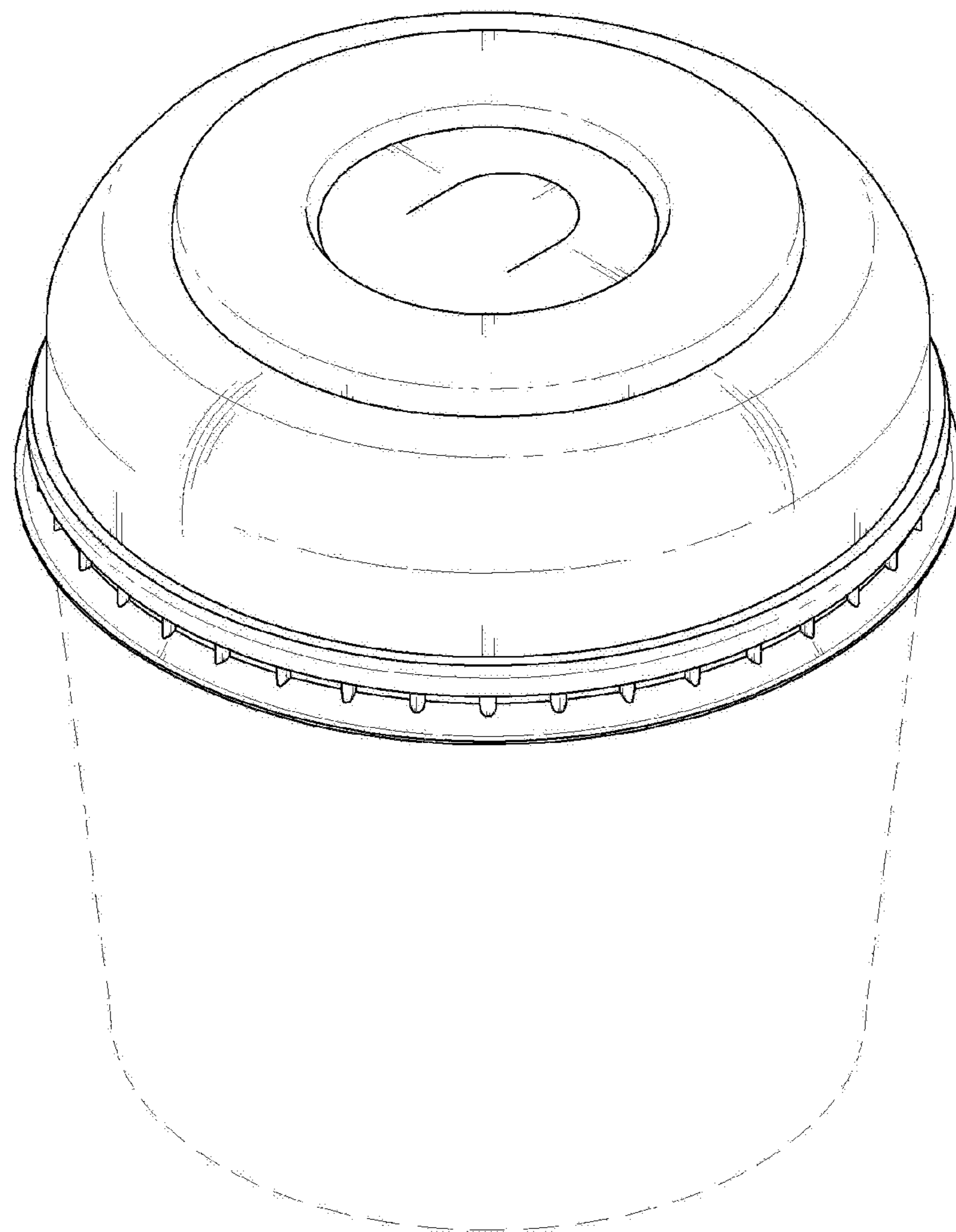


FIG. 2

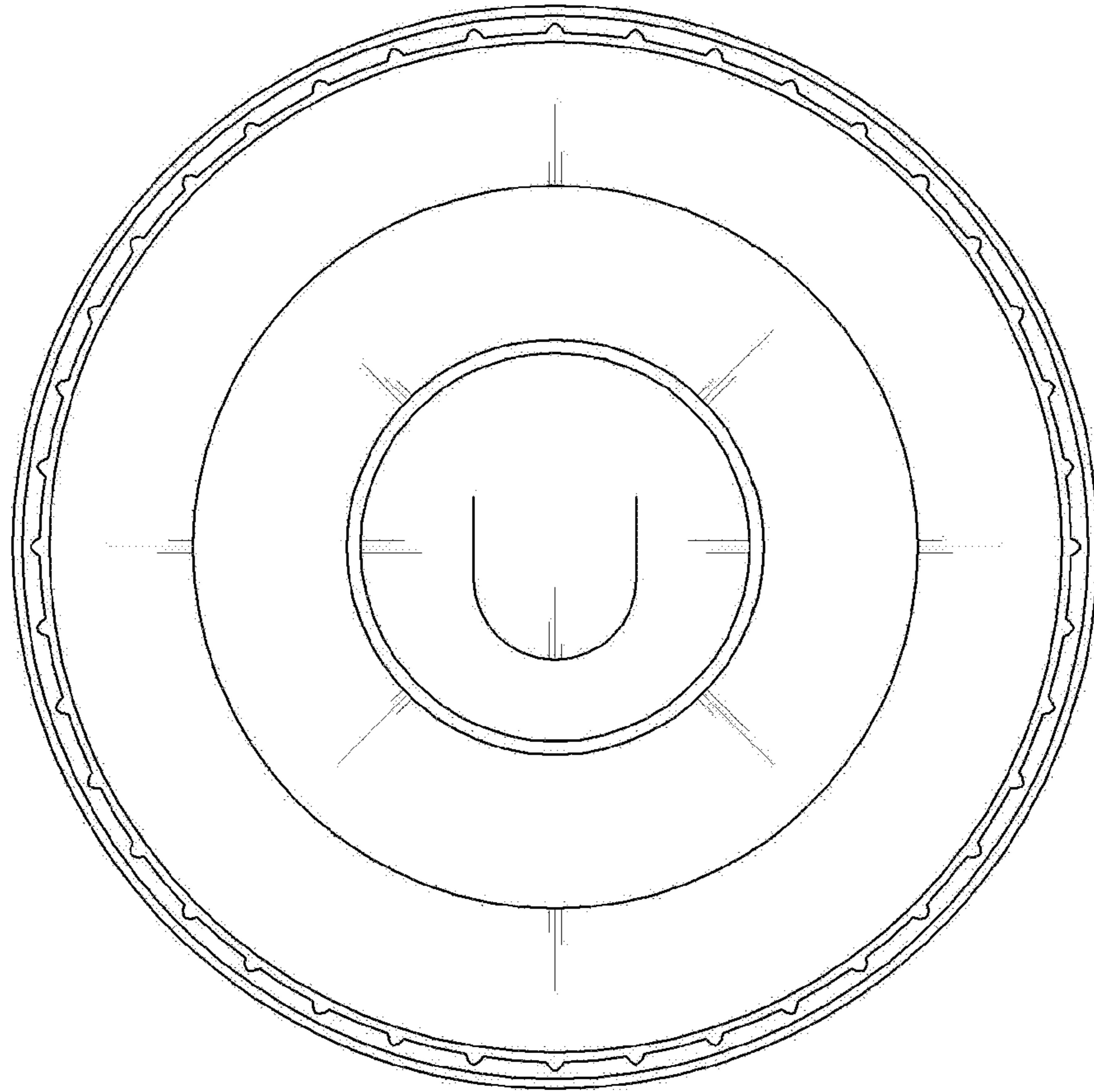


FIG. 3

