



US00D710694S

(12) **United States Design Patent**
D'Anglade

(10) **Patent No.:** **US D710,694 S**

(45) **Date of Patent:** **** Aug. 12, 2014**

(54) **COVER FOR A CONTAINER**

(75) Inventor: **Pierre-Michel D'Anglade**, Ville
Mont-Royal (CA)

(73) Assignee: **Abzac Canada Inc.** (CA)

(**) Term: **14 Years**

(21) Appl. No.: **29/416,661**

(22) Filed: **Mar. 26, 2012**

D543,108	S *	5/2007	Reed et al.	D9/453
7,581,671	B2	9/2009	Erdie	
D635,027	S *	3/2011	Gonzalez Sanchez et al.	D9/449
8,031,073	B2 *	10/2011	Hogan et al.	340/572.9
8,181,847	B1 *	5/2012	Erdie	229/5.5
D675,922	S *	2/2013	MacNeill et al.	D9/443
D695,138	S *	12/2013	Ball	D9/772
2005/0269241	A1	12/2005	Brooks et al.	
2008/0088144	A1 *	4/2008	Crown	294/146
2008/0287880	A1 *	11/2008	Keller	604/191
2012/0028216	A1 *	2/2012	Mossle	433/82
2013/0140306	A1 *	6/2013	D'Anglade	220/4.28
2013/0216975	A1 *	8/2013	Fritze	433/90

(30) **Foreign Application Priority Data**

Oct. 5, 2011 (CA) 142612

(51) **LOC (10) Cl.** **09-07**

(52) **U.S. Cl.**
USPC **D9/435**

(58) **Field of Classification Search**
CPC ... A47G 19/24; B05C 17/00; B05C 17/00593
USPC D9/435, 436, 440, 445, 447, 449, 450,
D9/452-454, 434; D7/392.1, 397, 398,
D7/591; 229/5.5
See application file for complete search history.

(56) **References Cited**

U.S. PATENT DOCUMENTS

D57,052	S *	2/1921	Ingram et al.	D9/452
D62,399	S *	5/1923	Javal	D9/905
D113,301	S *	2/1939	McKee	D9/447
2,726,803	A *	12/1955	Ketler	229/5.5
2,826,343	A *	3/1958	Albani	222/480
3,161,345	A	12/1964	McLeod	
3,913,774	A	10/1975	Vajtay	
5,377,860	A	1/1995	Littlejohn et al.	
5,505,323	A	4/1996	Naoki et al.	
D412,117	S *	7/1999	Page	D9/447
6,305,043	B1 *	10/2001	Rosnak	15/144.2
6,502,608	B1 *	1/2003	Burchett et al.	141/386
6,557,588	B2 *	5/2003	Wright	138/96 R

FOREIGN PATENT DOCUMENTS

GB	2326405	A	12/1998
WO	2005097040	A1	10/2005

* cited by examiner

Primary Examiner — Susan Bennett Hattan

Assistant Examiner — Brett Miller

(74) *Attorney, Agent, or Firm* — Myers Bigel Sibley & Sajovec, P.A.

(57) **CLAIM**

The ornamental design for a cover for a container, as shown and described.

DESCRIPTION

FIG. 1 is a perspective view of the article, and in extended view with its environment.

FIG. 2 is a top perspective view of the article.

FIG. 3 is a bottom perspective view of the article.

FIGS. 4 to 7 are four different side views of the article.

FIG. 8 is a top view of the article; and,

FIG. 9 is a bottom view of the article.

The broken lines shown in the drawings illustrate portions of the article and form no part of the claim.

1 Claim, 5 Drawing Sheets

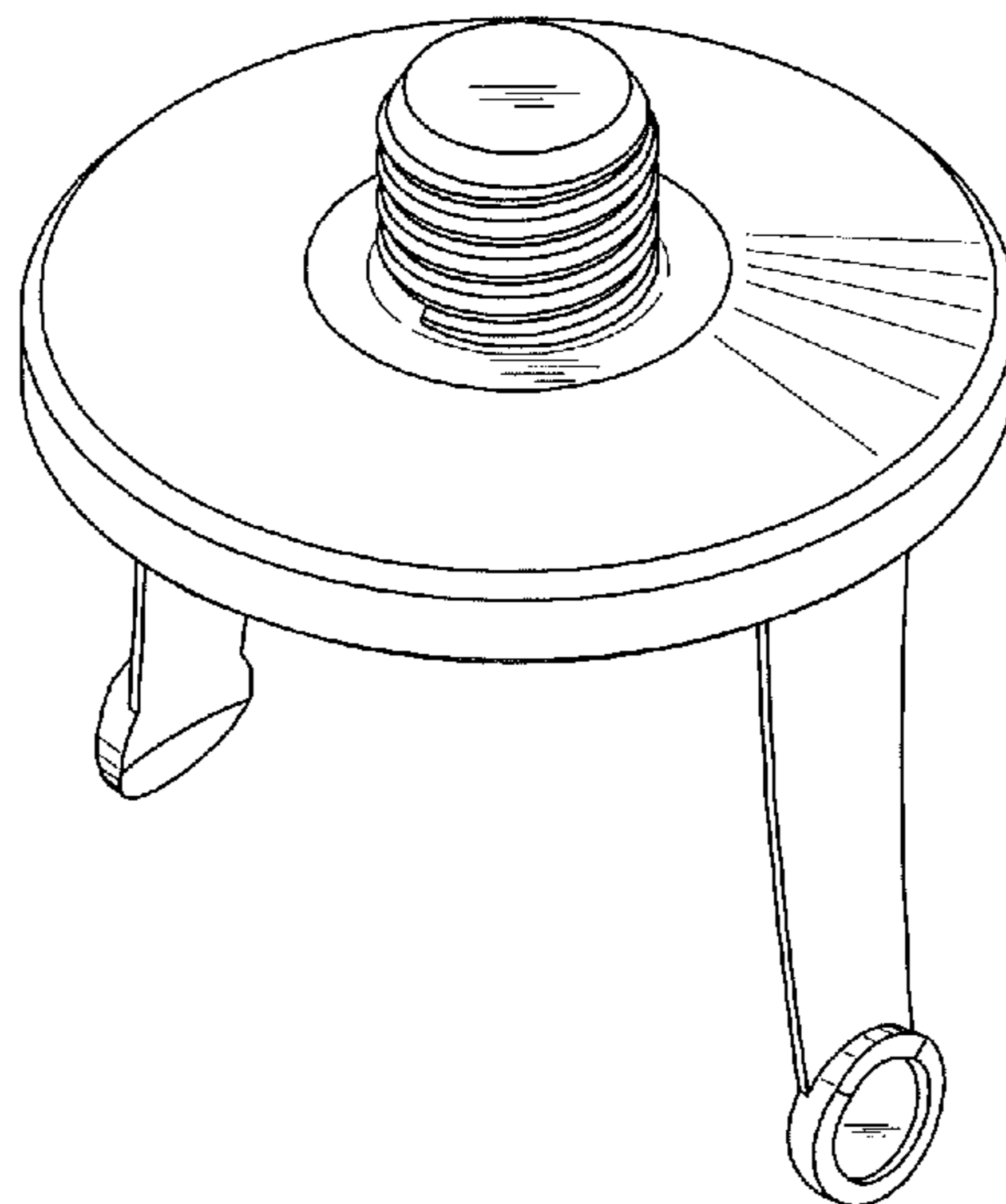
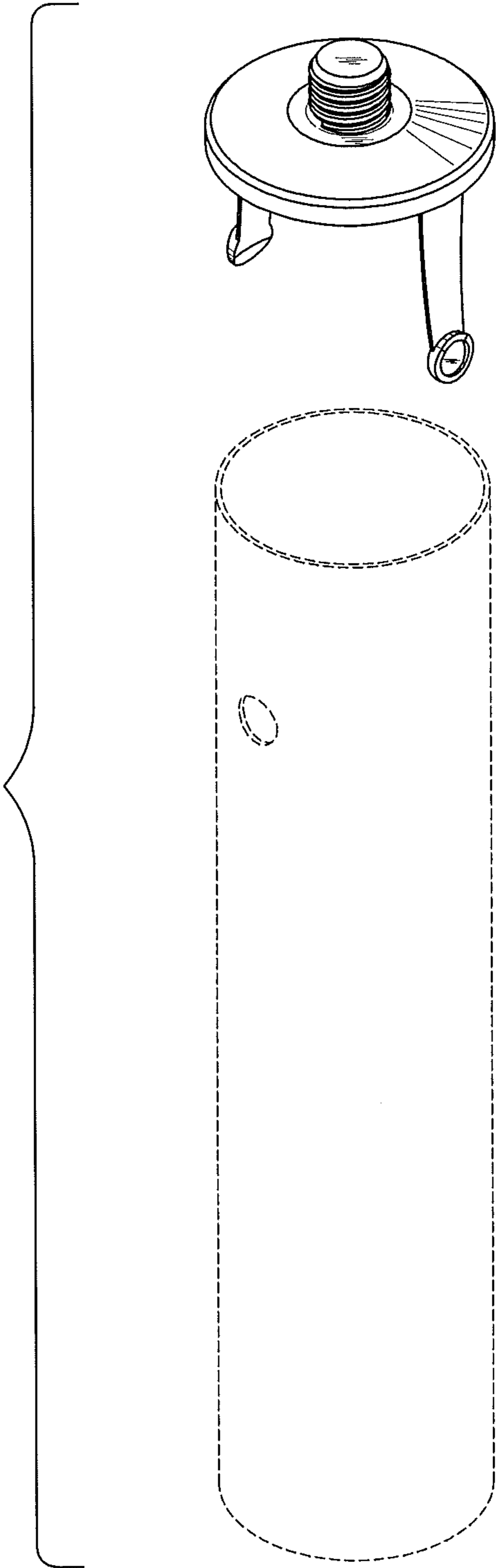


FIG. 1



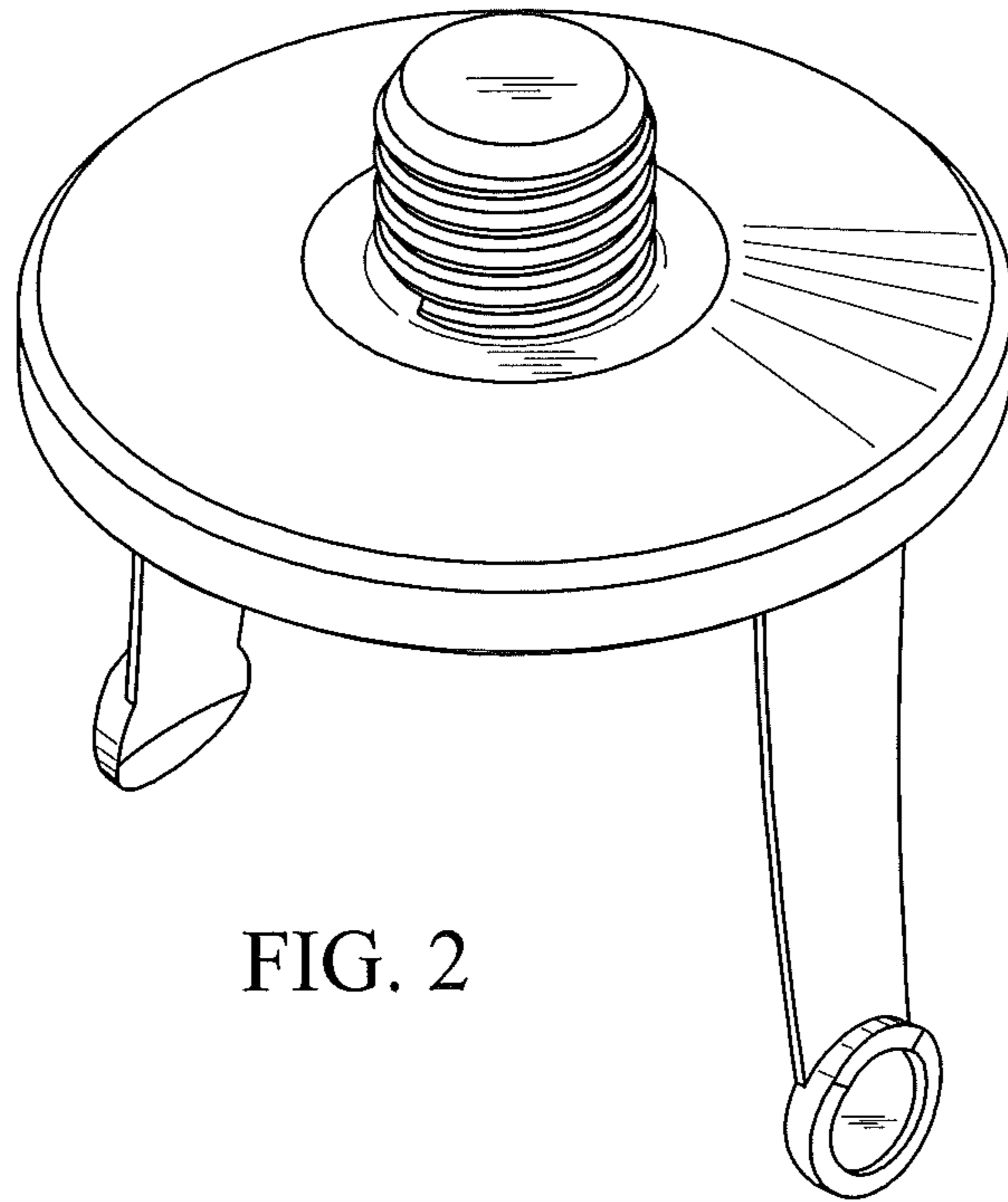


FIG. 2

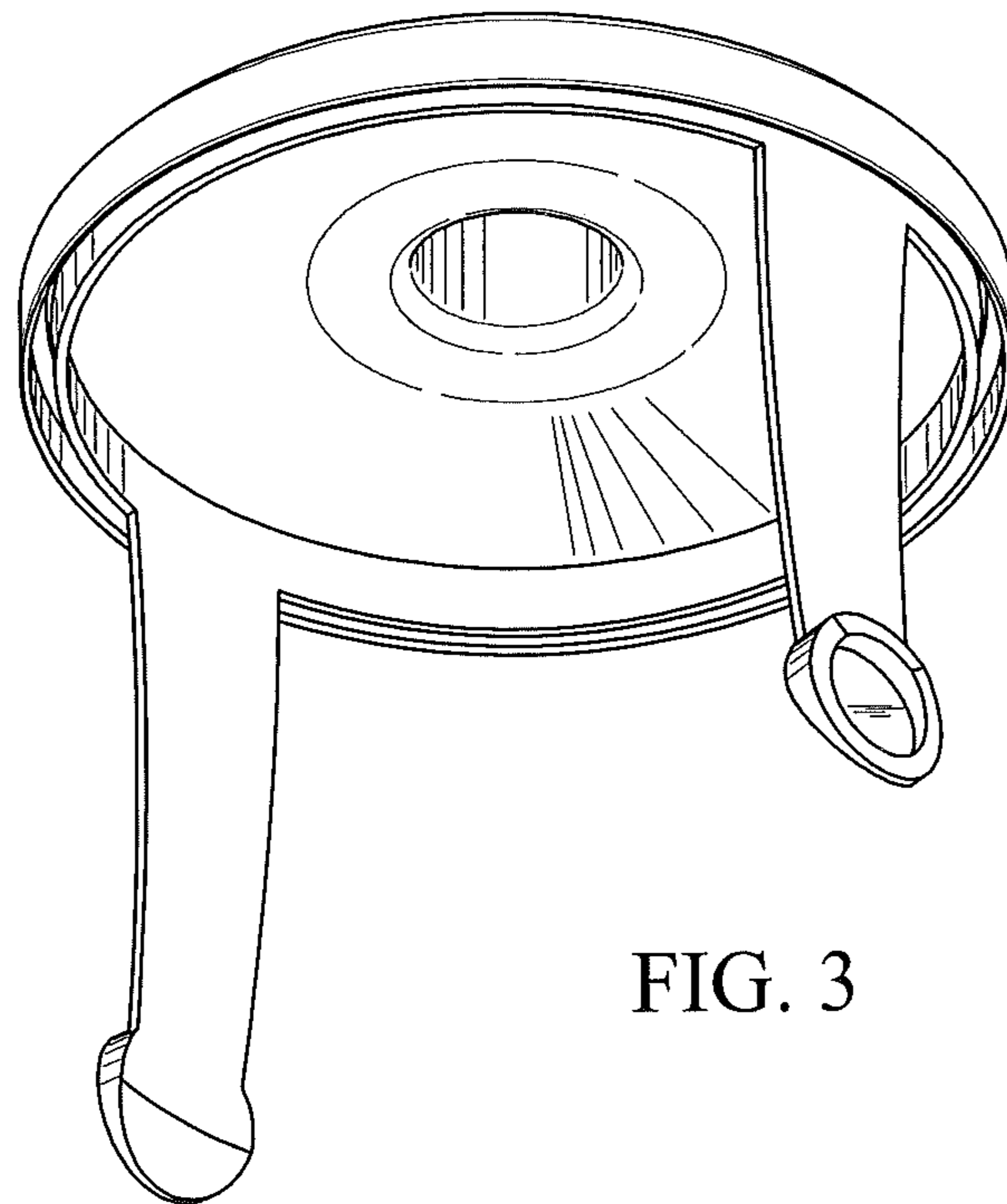


FIG. 3

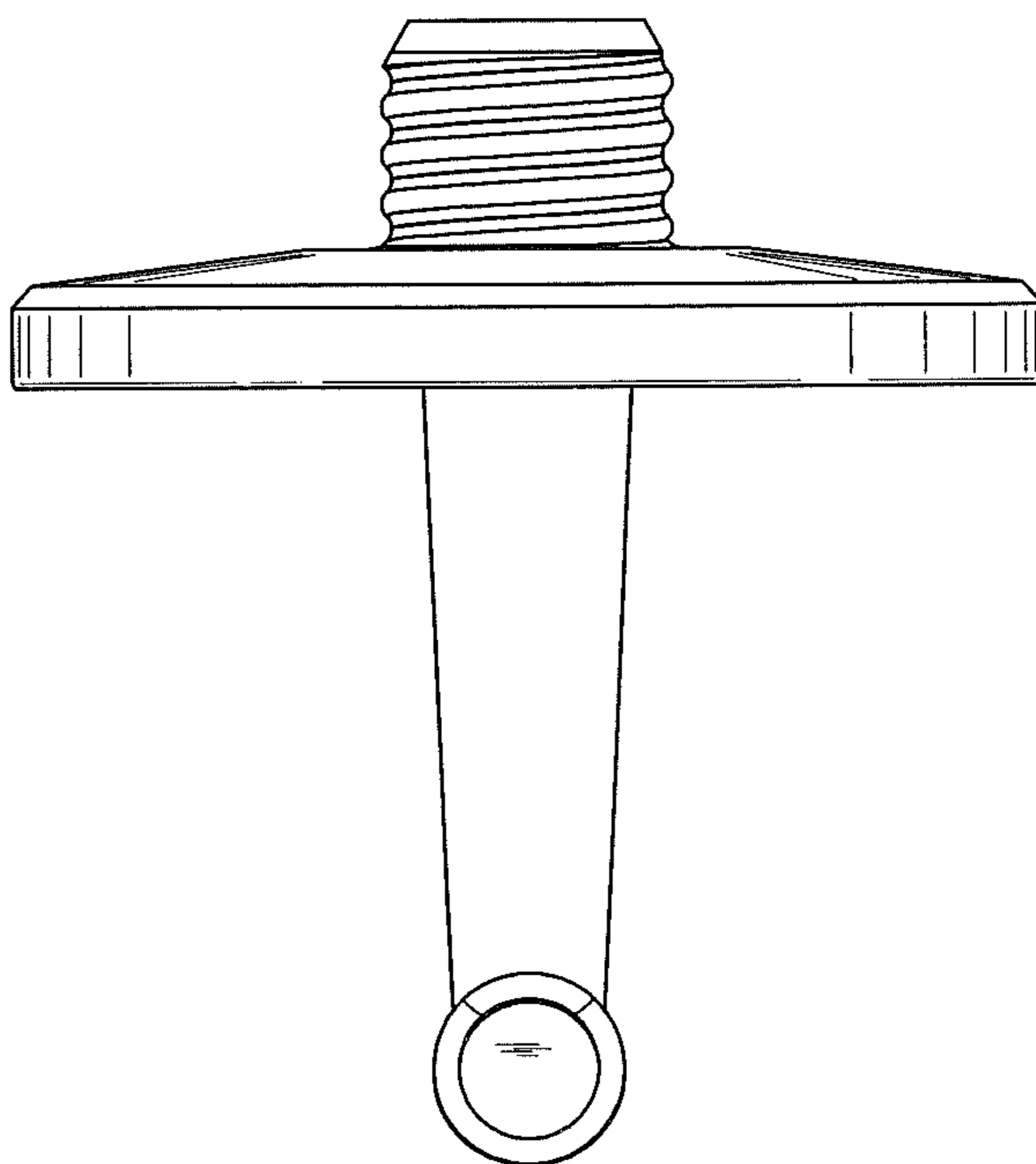


FIG. 4

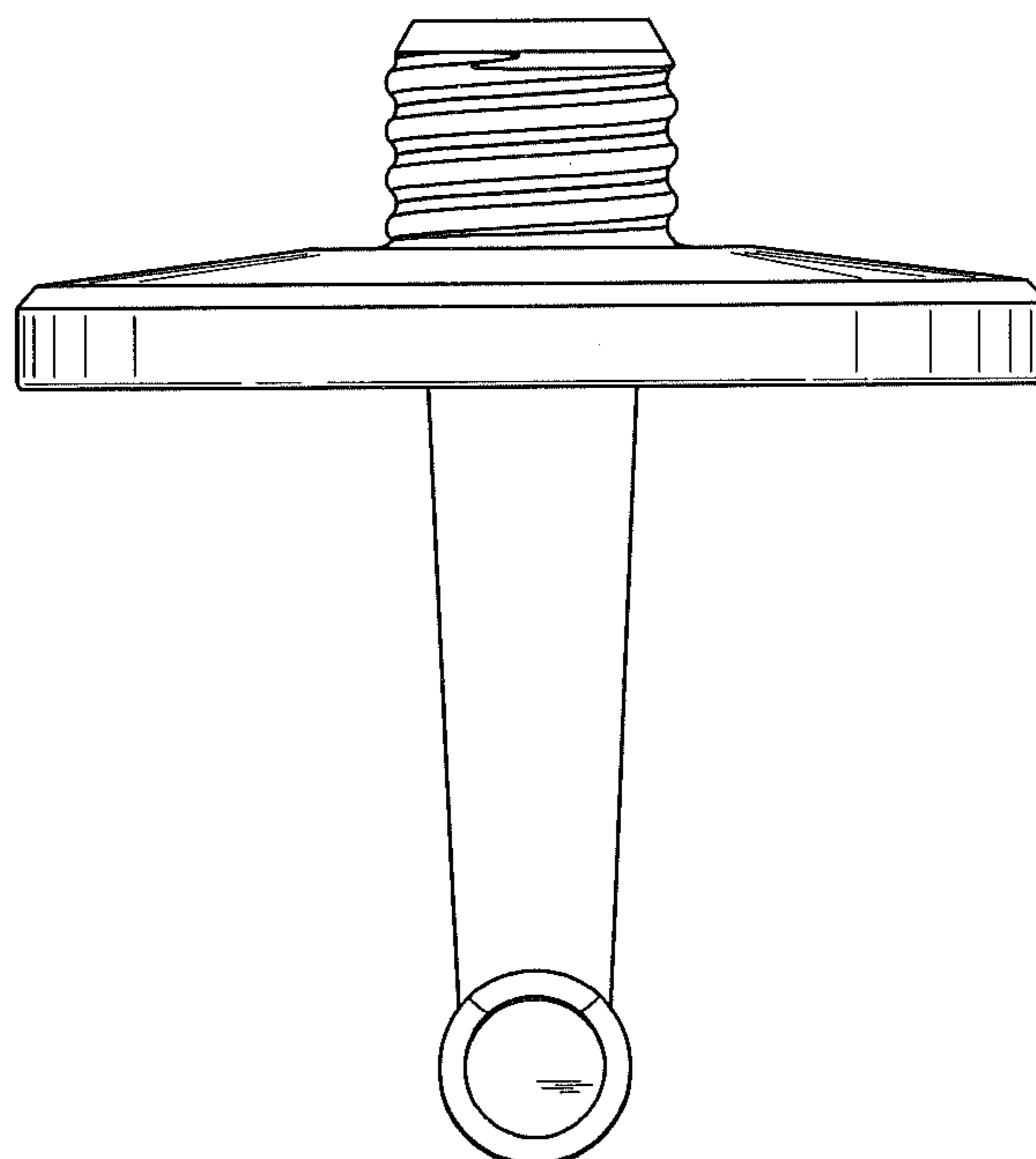


FIG. 5

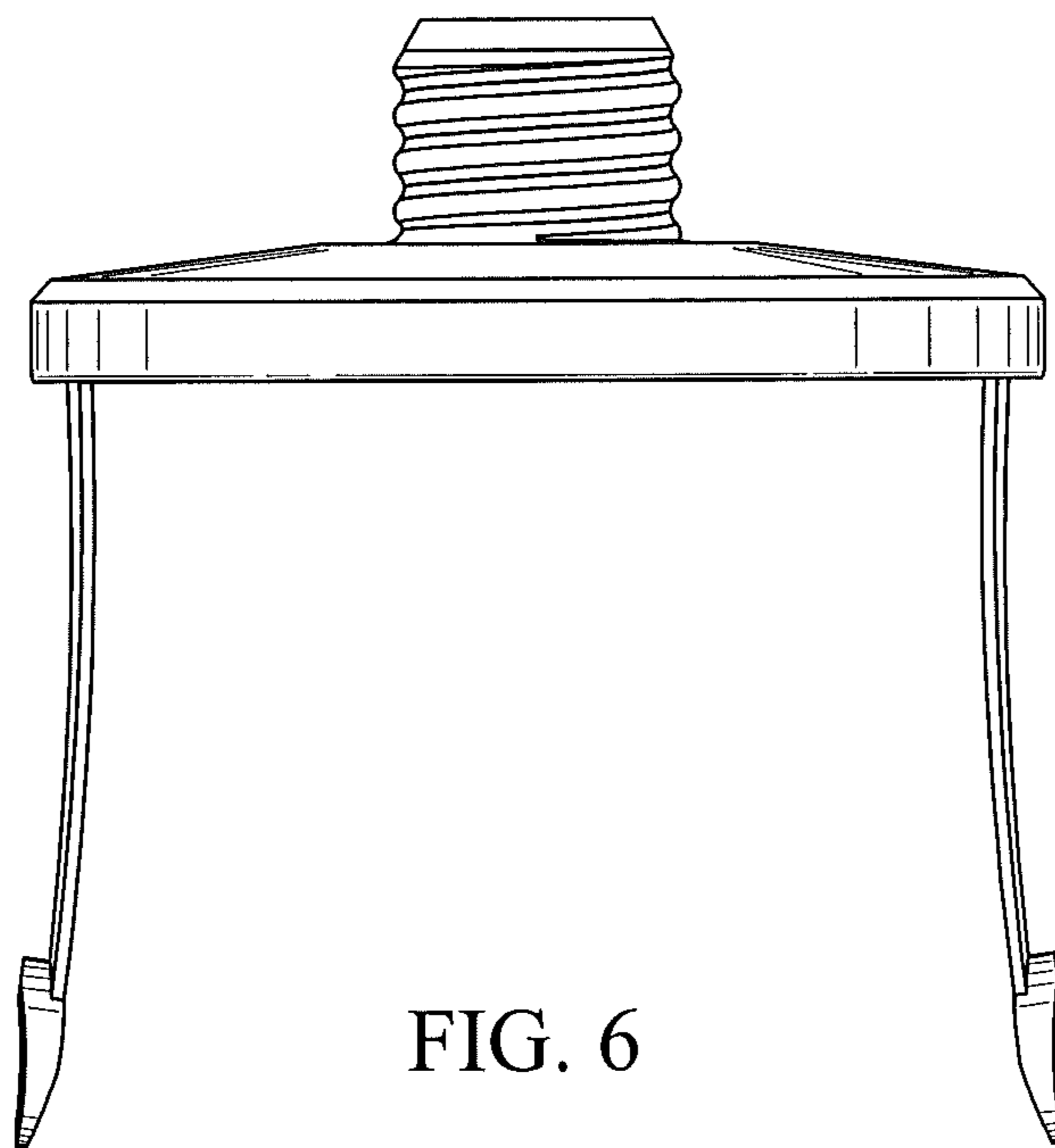


FIG. 6

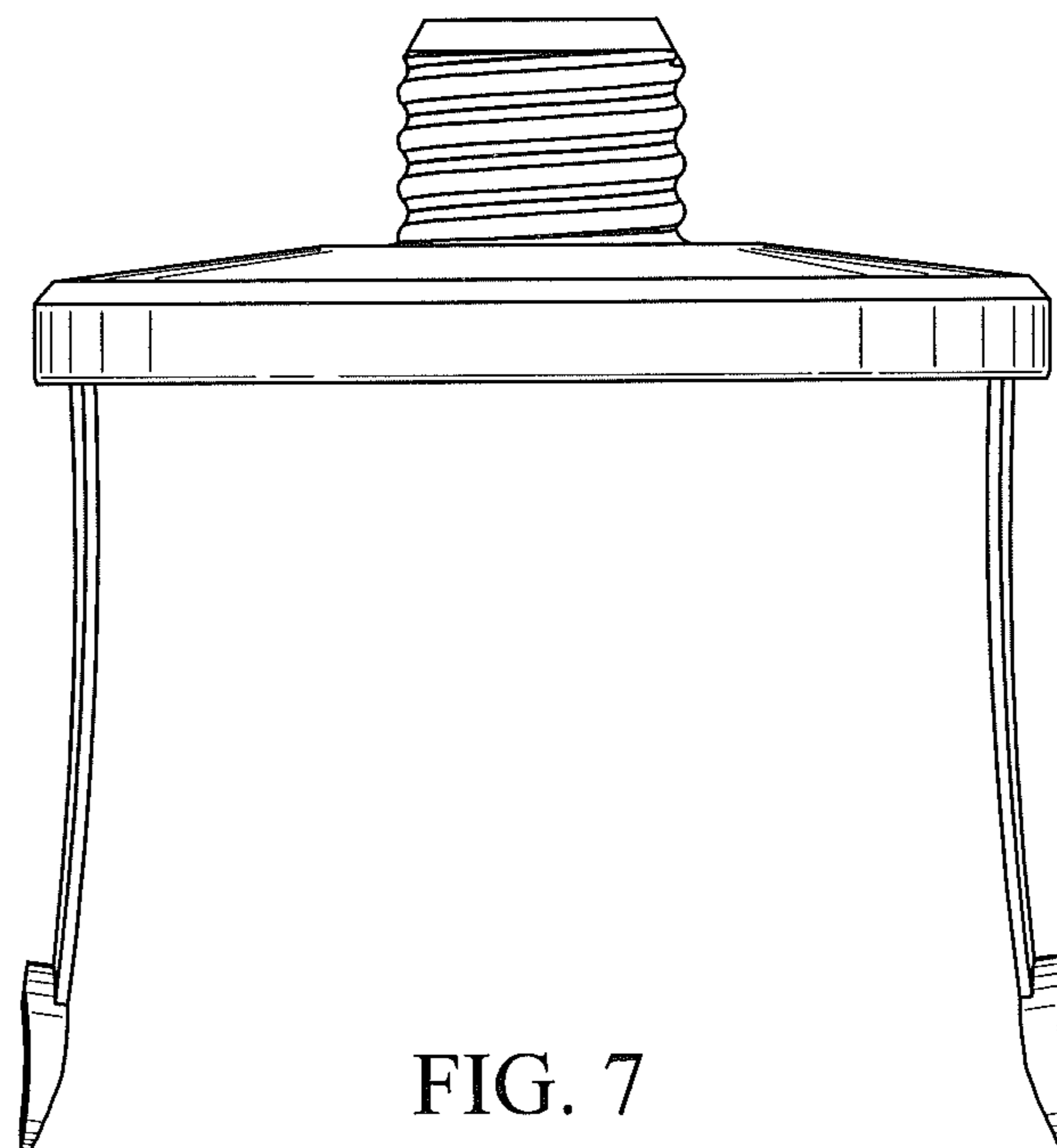


FIG. 7

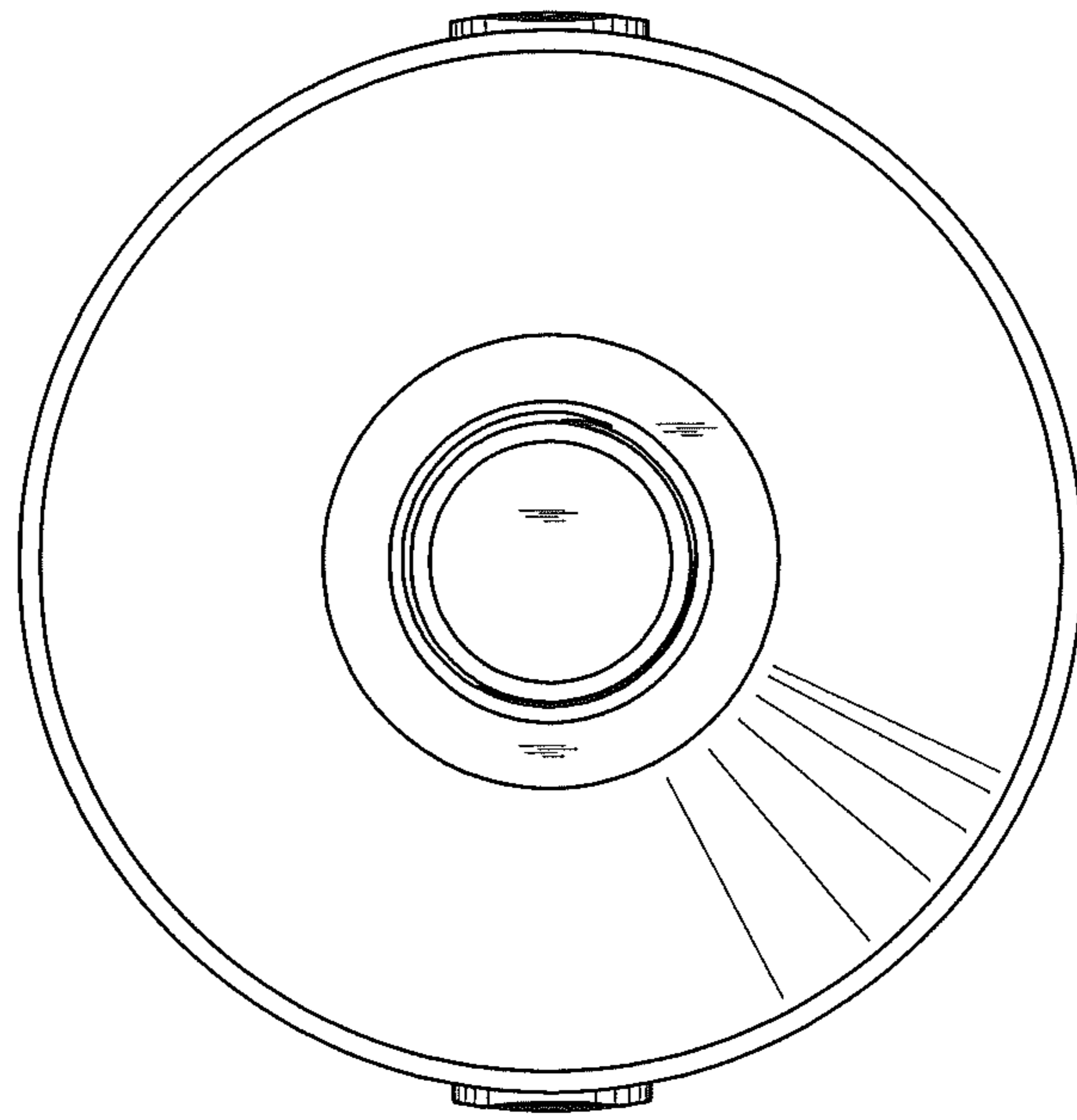


FIG. 8

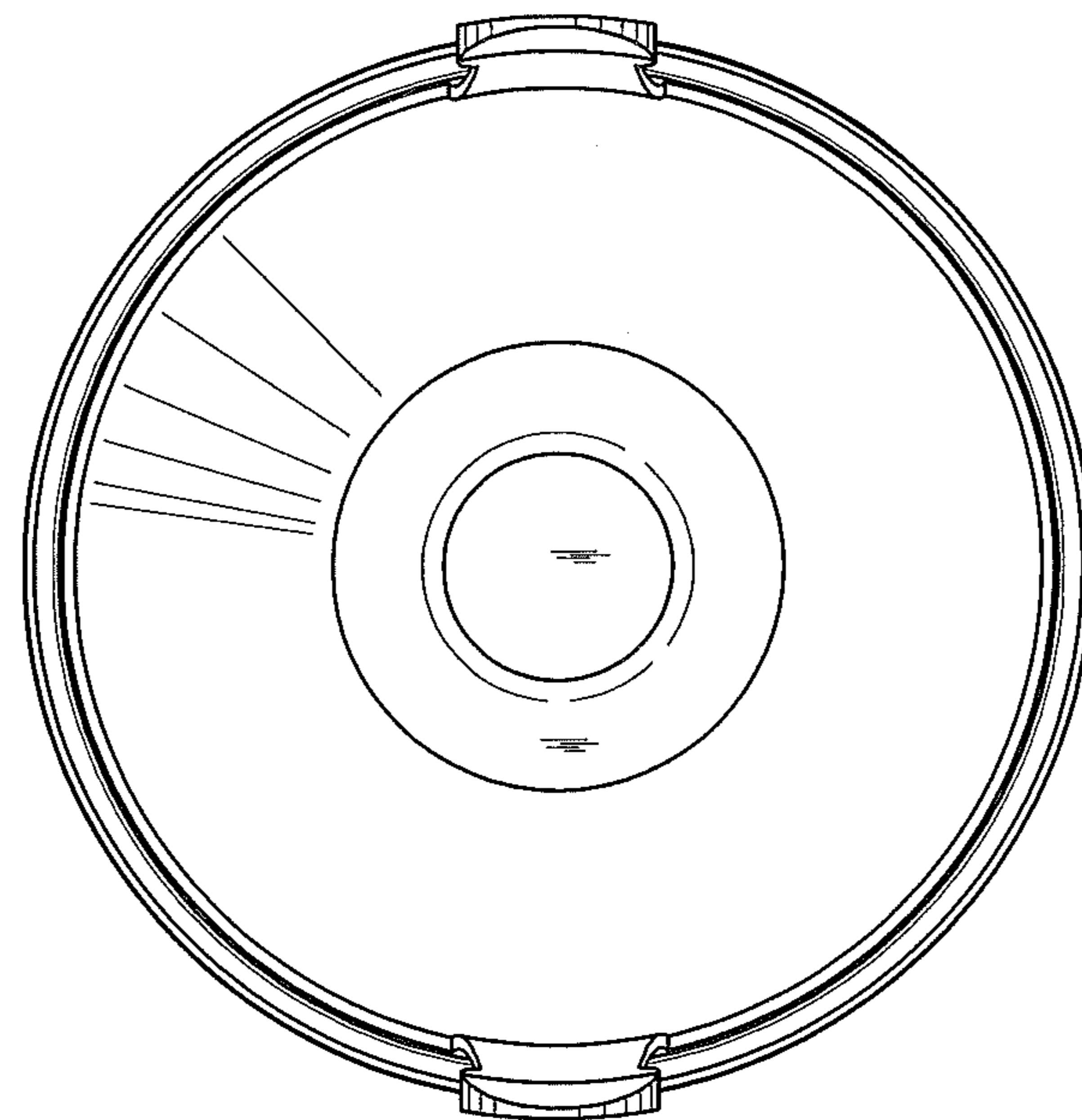


FIG. 9