



US00D710693S

(12) **United States Design Patent**
Bhasin et al.

(10) **Patent No.:** **US D710,693 S**

(45) **Date of Patent:** **** Aug. 12, 2014**

(54) **CONTAINER**
(75) Inventors: **Anuj Bhasin**, Chicago, IL (US);
Nicholas David, Evanston, IL (US);
Shannon Rice, Chicago, IL (US);
Matthew Schmunk, Portland, OR (US)

(73) Assignee: **Stokely-Van Camp, Inc.**, Chicago, IL (US)

(**) Term: **14 Years**

(21) Appl. No.: **29/426,680**

(22) Filed: **Jul. 9, 2012**

(51) **LOC (10) Cl.** **09-07**

(52) **U.S. Cl.**
USPC **D9/434**

(58) **Field of Classification Search**
CPC B65D 5/4204; B65D 5/16; B65D 5/5016;
B65D 5/38; B65D 5/4208
USPC D9/414-416, 418, 430, 432, 433, 434;
229/161, 162.1, 121, 122.1; 206/768,
206/775, 776
See application file for complete search history.

(56) **References Cited**

U.S. PATENT DOCUMENTS

3,190,440	A *	6/1965	Palmer	229/162.5
3,451,535	A *	6/1969	Caplan	229/162.1
3,631,970	A *	1/1972	Trauschke	206/775
4,106,615	A *	8/1978	Hiroshi	229/117.18
4,355,758	A *	10/1982	Lavery	229/162.1
4,457,431	A *	7/1984	Lundquist et al.	229/162.1
4,978,009	A *	12/1990	Pany	229/162.1
5,292,058	A	3/1994	Zoss	
5,358,175	A	10/1994	Cai	
5,480,090	A *	1/1996	Taddei et al.	229/162.1
5,511,722	A	4/1996	Dixon	
5,529,187	A	6/1996	DeNola	
5,549,243	A	8/1996	Dorier	

5,570,782	A	11/1996	Kikuchi	
5,603,450	A	2/1997	Whitnell	
5,620,134	A	4/1997	Gulliver	
5,685,478	A	11/1997	Tang	
5,692,671	A	12/1997	Mussier	
5,718,347	A	2/1998	Walker	
5,779,135	A	7/1998	Richardson	
5,803,345	A	9/1998	Jones	
5,816,484	A	10/1998	Buchalski	
5,842,632	A *	12/1998	Van Hest	229/164
5,853,121	A	12/1998	Francisco	
D406,756	S *	3/1999	Garganese	D9/418
5,875,962	A	3/1999	Jorgensen Beck	
5,878,948	A	3/1999	Schultz	
5,921,466	A	7/1999	Speese	
5,924,571	A	7/1999	Cornelissen	
5,934,549	A	8/1999	Baumgartner	

(Continued)

FOREIGN PATENT DOCUMENTS

WO WO2011084074 A1 7/2011

Primary Examiner — Susan Bennett Hattan

Assistant Examiner — Brett Miller

(74) *Attorney, Agent, or Firm* — Banner & Witcoff, Ltd.

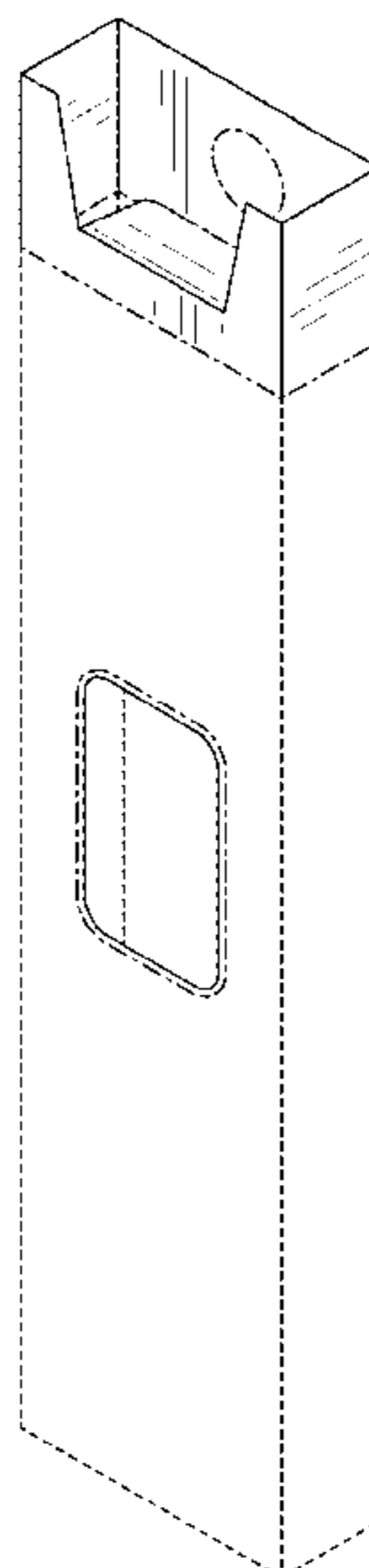
(57) **CLAIM**

The ornamental design for a container, as shown and described.

DESCRIPTION

FIG. 1 is a top, front, right perspective view of a container showing of our new design;
FIG. 2 is a first top, rear, right perspective view thereof;
FIG. 3 is a top view thereof; and,
FIG. 4 is second top, rear, right perspective view thereof.
The uneven-length broken lines represent unclaimed boundaries of the claimed design. The even-length broken lines showing the remainder of the container are for environmental purposes only and form no part of the claimed design.

1 Claim, 3 Drawing Sheets



(56)

References Cited

U.S. PATENT DOCUMENTS

5,975,415 A	11/1999	Zehnal	7,380,703 B2	6/2008	Ogden	
6,047,883 A	4/2000	Calvert	D582,268 S	12/2008	Zanaletti	
6,050,483 A	4/2000	Haraldsson	D592,968 S	5/2009	Lee	
D433,630 S	11/2000	Lubineau-Bigot	7,614,542 B2	11/2009	Lo Duca	
D436,315 S	1/2001	Bentolila	7,717,319 B2	5/2010	Adam	
6,206,279 B1	3/2001	Countee	7,780,004 B2 *	8/2010	Carlozzi et al.	206/776
D446,113 S	8/2001	Steinfels	D630,942 S	1/2011	Russell	
D451,390 S	12/2001	Bozlee	D631,343 S	1/2011	Blunck	
D462,903 S	9/2002	Yuen	D631,741 S	2/2011	Hubbard, Jr.	
D465,416 S	11/2002	Dzwill	D631,742 S	2/2011	Hubbard, Jr.	
D466,805 S	12/2002	Radvansky	D635,468 S	4/2011	Buitrago	
D479,464 S	9/2003	Kopecky	D636,665 S	4/2011	Mittelstaedt	
D482,614 S	11/2003	Countee, Jr.	D640,922 S	7/2011	Daley	
D485,172 S	1/2004	Defino, Jr.	D642,456 S	8/2011	Mittelstaedt	
D494,467 S	8/2004	Ohno	D644,100 S	8/2011	Stacy-Ryan	
D503,087 S	3/2005	Dzwill	D644,925 S	9/2011	Jaworski	
6,957,765 B2	10/2005	Howell	8,052,038 B2	11/2011	Jackson	
D528,411 S	9/2006	Nehus	D650,665 S	12/2011	Kaltman	
7,121,403 B2	10/2006	Bohdan	D650,666 S	12/2011	Daley	
D531,498 S	11/2006	Fluegel	D652,717 S	1/2012	Shimoyama	
D543,102 S	5/2007	Ashby	8,499,999 B2 *	8/2013	Sieber et al.	206/775
D545,188 S	6/2007	Billig	D693,213 S *	11/2013	Lee et al.	D9/415
D548,072 S	8/2007	Nixon	2003/0111523 A1	6/2003	Haugan	
D548,074 S	8/2007	El Afandi	2003/0164397 A1	9/2003	Robinson	
D548,590 S	8/2007	Forthaus	2006/0049239 A1	3/2006	Shaw	
D552,987 S	10/2007	Magnusson	2007/0145107 A1	6/2007	Figuroa	
D554,991 S	11/2007	Donnelly	2009/0072015 A1	3/2009	Drew	
D558,046 S	12/2007	Okin	2010/0084424 A1	4/2010	Gelardi	
D563,219 S	3/2008	Okin	2010/0187145 A1	7/2010	Mezzini	
			2011/0024487 A1	2/2011	Sant'Ana Caceres	
			2011/0114512 A1	5/2011	Gelardi	
			2011/0253776 A1	10/2011	Craft	

* cited by examiner

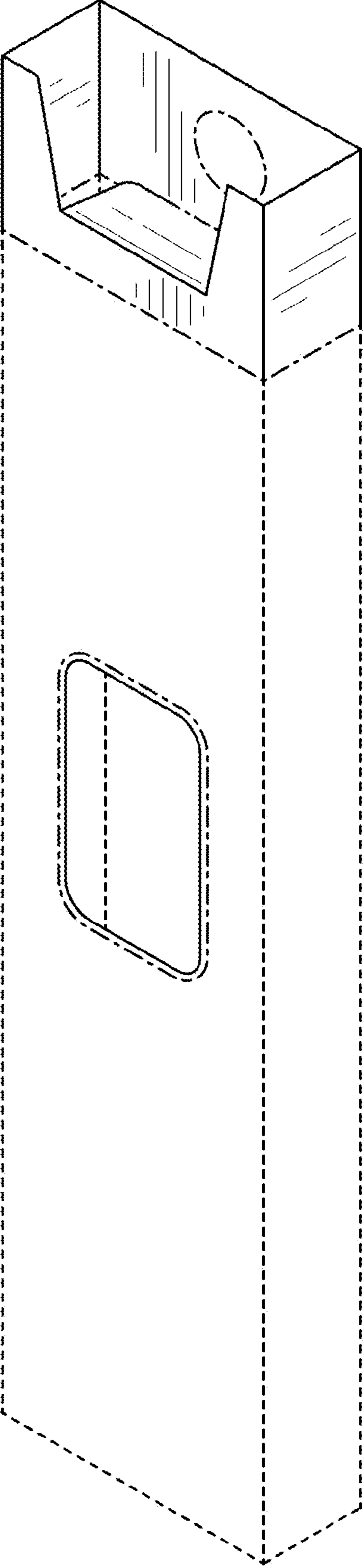


FIG. 1

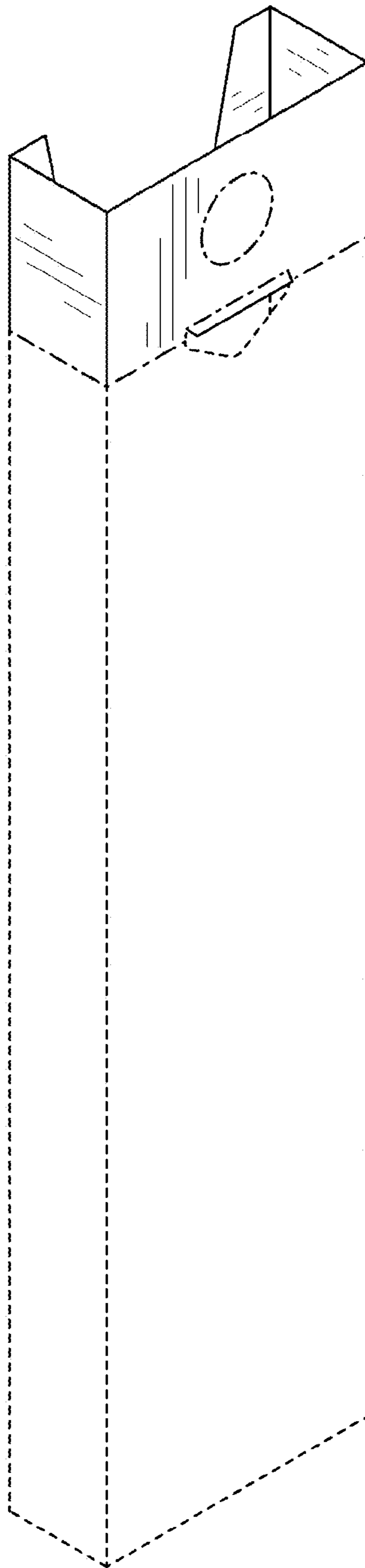


FIG. 2

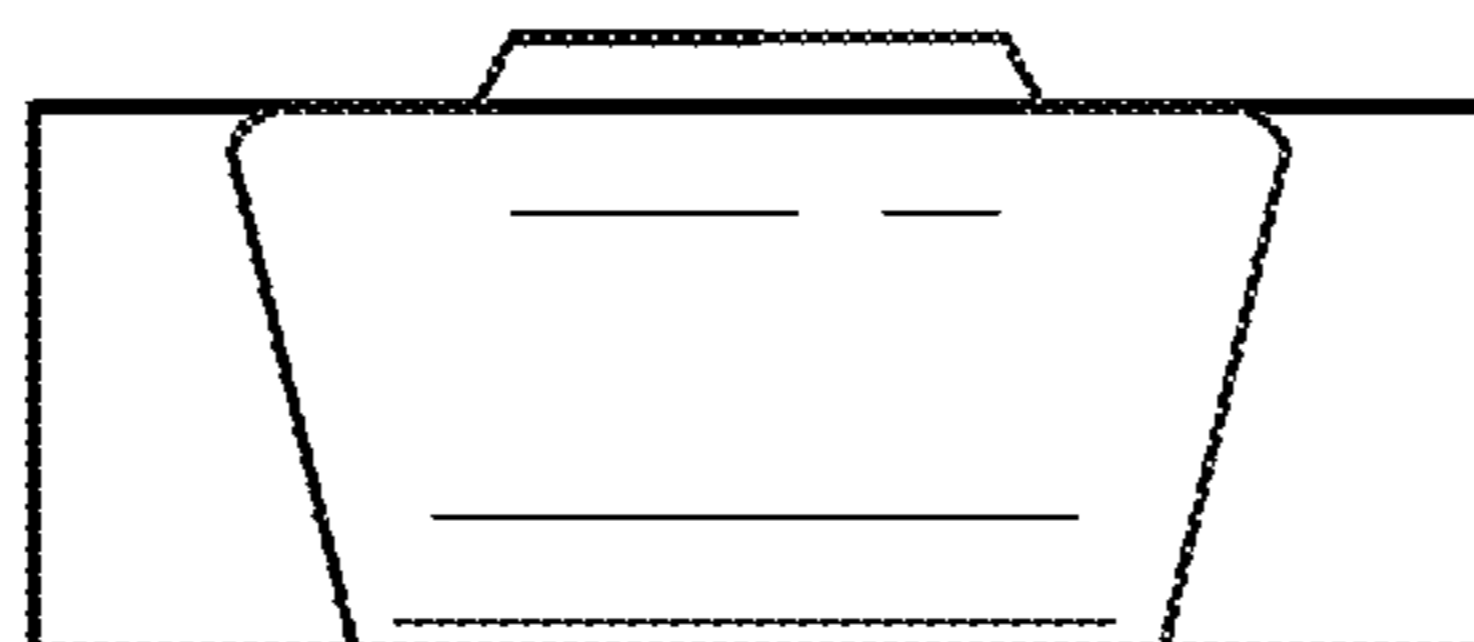


FIG. 3

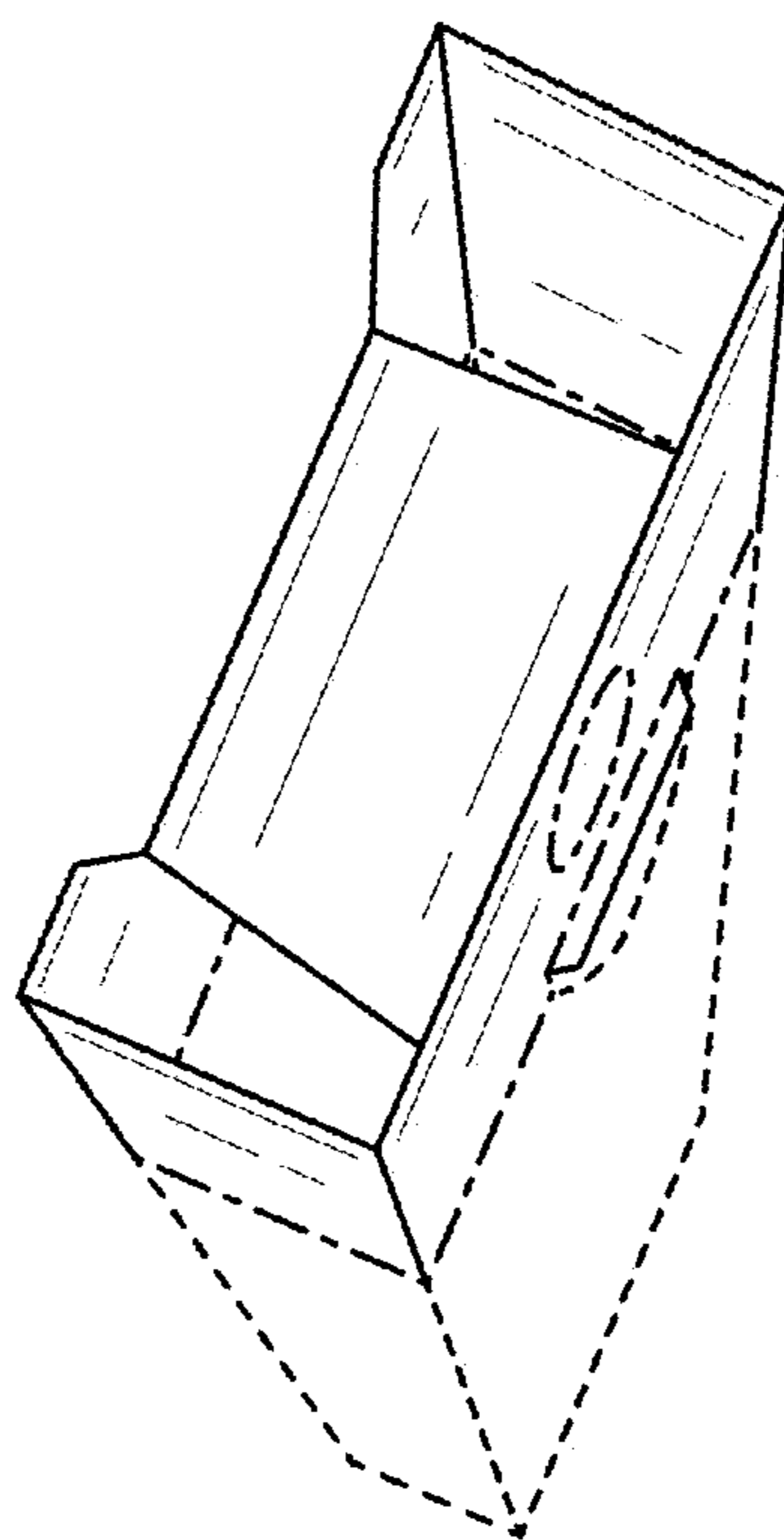


FIG. 4