



US00D710686S

(12) **United States Design Patent**
Gowens

(10) **Patent No.:** **US D710,686 S**

(45) **Date of Patent:** **** Aug. 12, 2014**

- (54) **SINGLE SERVING CUP**
- (71) Applicant: **Societe des Produits Nestle SA, Vevey**
(CH)
- (72) Inventor: **Patrick Albert Gowens, Libertyville, IL**
(US)
- (73) Assignee: **Societe des Produits Nestle S. A., Vevey**
(CH)
- (**) Term: **14 Years**
- (21) Appl. No.: **29/480,854**
- (22) Filed: **Jan. 30, 2014**
- (51) **LOC (10) Cl.** **09-03**
- (52) **U.S. Cl.**
USPC **D9/429**
- (58) **Field of Classification Search**
USPC D9/414, 416, 424, 428, 429, 434, 435,
D9/452, 454, 456, 500, 502; D7/523, 590,
D7/597, 601, 602, 630, 641; 220/62.13,
220/260, 265, 269, 270, 669, 670-673, 675,
220/DIG. 12; 99/295
See application file for complete search history.

RE29,320 E	7/1977	Kalata et al.	
4,052,037 A *	10/1977	Mair et al.	366/341
4,173,097 A	11/1979	Staby	
4,231,476 A	11/1980	Compton et al.	
D258,338 S	2/1981	Gersin	
D263,203 S	3/1982	Haag, Sr.	
D265,462 S	7/1982	Andrulionis et al.	
D266,398 S	10/1982	Haag, Sr.	
D279,168 S	6/1985	Goldsmith	
D280,075 S	8/1985	Haag, Sr.	
4,832,202 A	5/1989	Newman et al.	
D330,514 S	10/1992	Edwards	
D351,790 S	10/1994	Haindl	
D364,112 S	11/1995	Dickinson et al.	
D390,460 S	2/1998	Schmidt	
D395,822 S	7/1998	Keal et al.	
D397,586 S	9/1998	Bowers	
D399,452 S	10/1998	Durbin	

(Continued)

FOREIGN PATENT DOCUMENTS

WO	049057	6/1999
WO	067370	7/2005
WO	079247	8/2012

Primary Examiner — Derrick Holland
Assistant Examiner — Lauren Calve
 (74) *Attorney, Agent, or Firm* — Holland & Hart LLP

(56) **References Cited**
U.S. PATENT DOCUMENTS

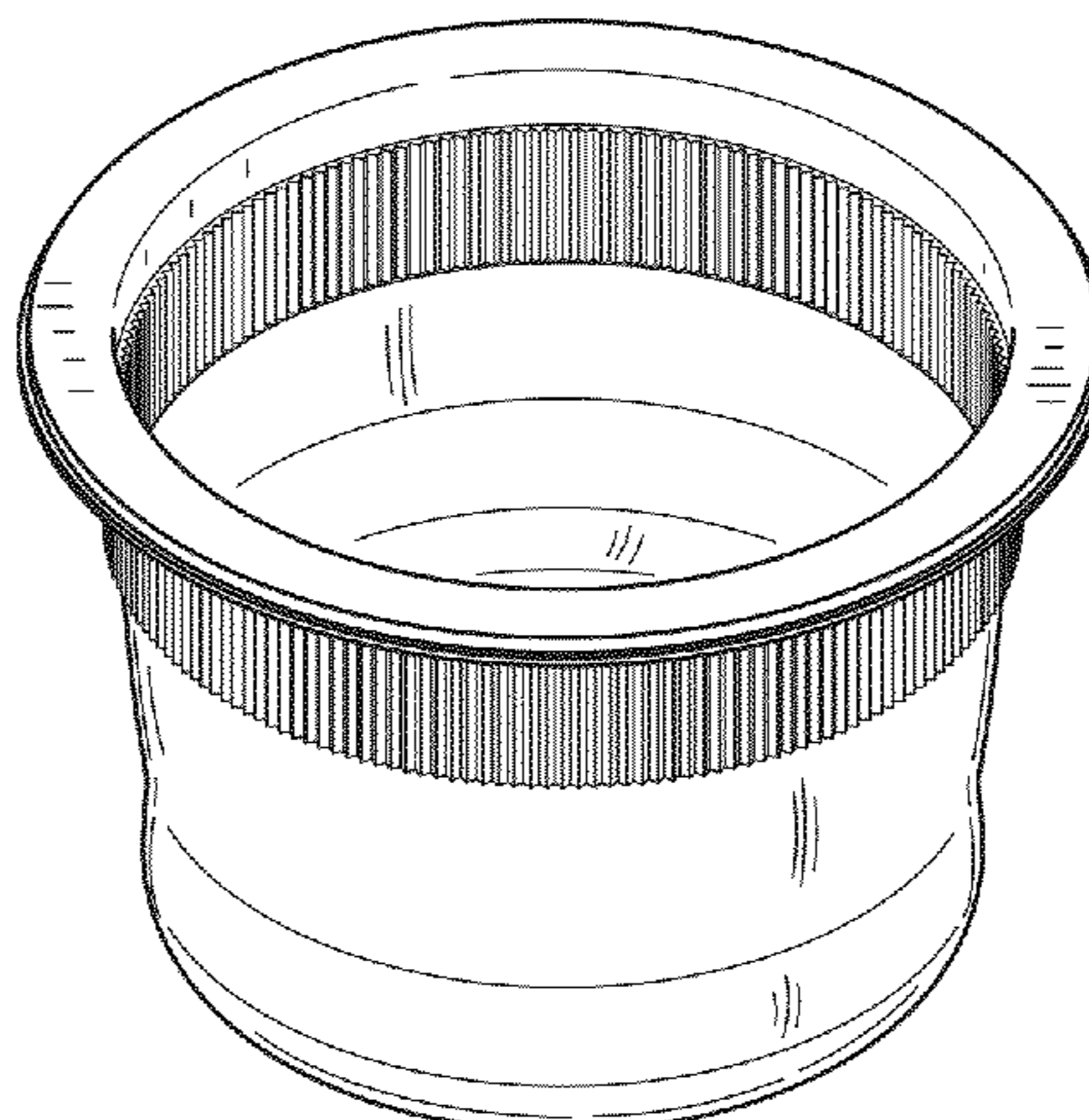
2,340,676 A	12/1941	Mallard	
2,828,789 A	8/1955	Groendyk	
D197,313 S *	1/1964	Wanderer	D9/429
3,128,029 A	4/1964	Price et al.	
3,443,714 A *	5/1969	Edwards	220/671
3,606,262 A	9/1971	van't Hoff	
3,896,587 A	7/1975	Insalaco	
3,967,731 A	7/1976	Boduch	
D242,200 S *	11/1976	Ashton	D7/523
D243,030 S	1/1977	Gross	
D243,357 S	2/1977	Gross	
D243,358 S	2/1977	Gross	

(57) **CLAIM**
The ornamental design for a single serving cup, as shown and described.

DESCRIPTION

FIG. 1 is a top perspective view of a single serving cup, showing my new design;
 FIG. 2 is a bottom perspective view thereof;
 FIG. 3 is a top view thereof;
 FIG. 4 is a side elevation view thereof; and,
 FIG. 5 is a bottom view thereof.

1 Claim, 2 Drawing Sheets



(56)

References Cited

U.S. PATENT DOCUMENTS

5,840,189	A	11/1998	Sylvan et al.	D606,363	S	12/2009	Aardenburg	
D409,945	S	5/1999	Hensen	D606,402	S	* 12/2009	Diss	D9/500
D409,946	S	5/1999	Hensen	D606,404	S	12/2009	Diss	
D426,160	S	6/2000	Lindsay et al.	D606,405	S	12/2009	Takata et al.	
D426,427	S	6/2000	Rubbright et al.	D606,406	S	12/2009	Takata et al.	
D429,150	S	8/2000	Lindsay et al.	D607,329	S	1/2010	Diss	
D452,434	S	12/2001	Sweeney	D607,727	S	1/2010	Takata et al.	
D453,094	S	1/2002	Maggard et al.	D612,732	S	* 3/2010	Takata et al.	D9/500
D453,447	S	* 2/2002	Bi	D624,416	S	9/2010	Mussumeci et al.	
D454,304	S	3/2002	Kim et al.	D642,454	S	8/2011	Santoiemmo	
D473,788	S	4/2003	Chen et al.	D645,340	S	9/2011	Menard et al.	
D474,110	S	* 5/2003	Sweeney	D647,397	S	10/2011	Inaba	
D474,111	S	5/2003	Lazaris	D649,054	S	11/2011	Sharma et al.	
6,645,537	B2	11/2003	Sweeney et al.	D649,447	S	11/2011	Cimmerer et al.	
6,648,163	B2	11/2003	Porter, III et al.	8,056,751	B2	11/2011	Vovan	
D511,458	S	11/2005	Dunwoody et al.	D652,266	S	1/2012	Smyers	
6,988,654	B2	1/2006	Wnek	D652,291	S	1/2012	Riales	
D519,831	S	5/2006	de Cleir et al.	D656,009	S	3/2012	Ortiz et al.	
D532,293	S	11/2006	Martin	8,127,961	B2	3/2012	Vovan	
D532,689	S	11/2006	Rotta	D657,249	S	* 4/2012	Bakic	D9/503
D541,147	S	4/2007	LaMasney	8,322,530	B2	12/2012	Furlong	
D546,140	S	7/2007	Anzalone	D677,578	S	3/2013	Sina	
D546,626	S	7/2007	Chou	D681,448	S	5/2013	O'Malley	
D553,441	S	10/2007	Mirpuri	D684,459	S	* 6/2013	Stowe et al.	D9/428
D568,156	S	5/2008	Wilson et al.	D685,263	S	* 7/2013	Danenberg	D9/428
D571,163	S	6/2008	Gillan	D686,916	S	7/2013	O'Brien	
D572,168	S	7/2008	Kurtz	D687,297	S	8/2013	O'Brien et al.	
D573,414	S	7/2008	Bellon	D689,730	S	9/2013	Goto et al.	
D591,590	S	5/2009	Wilson et al.	D692,760	S	11/2013	Rapparini	
				2007/0148290	A1	6/2007	Ternite	
				2011/0030563	A9*	2/2011	Dogliani Majer	99/295
				2013/0008904	A1*	1/2013	Minnette et al.	220/270

* cited by examiner

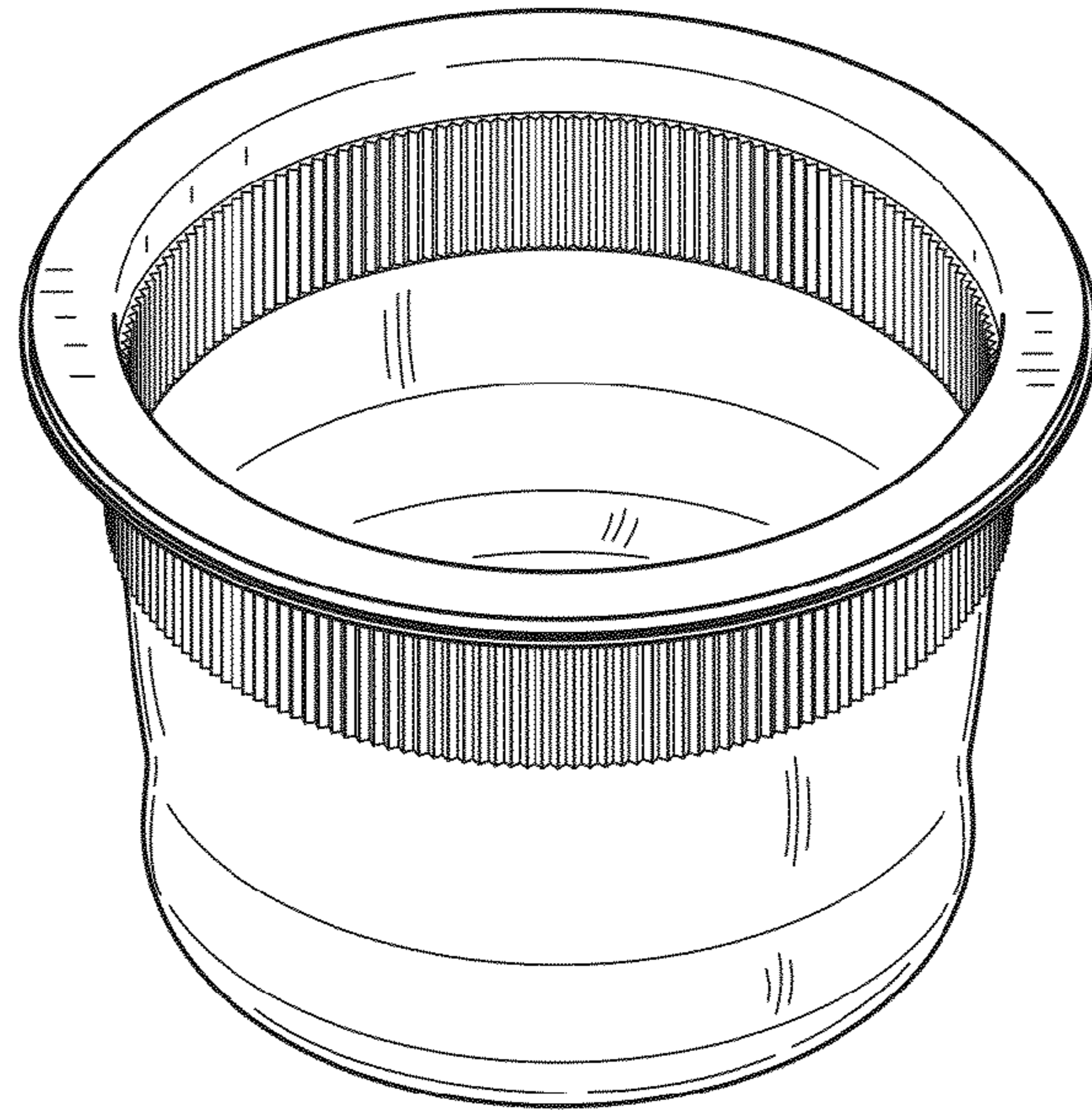


FIG. 1

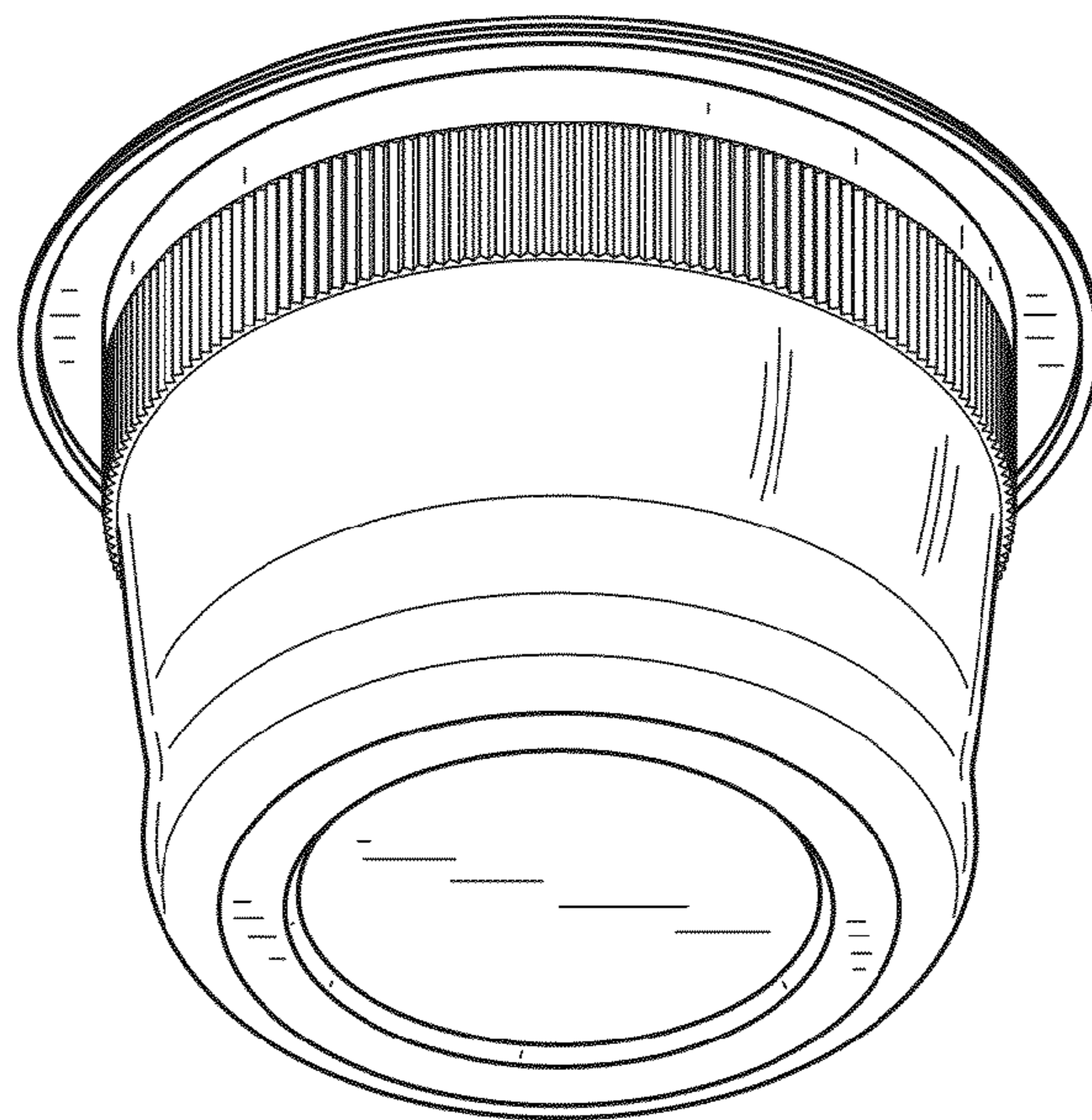


FIG. 2

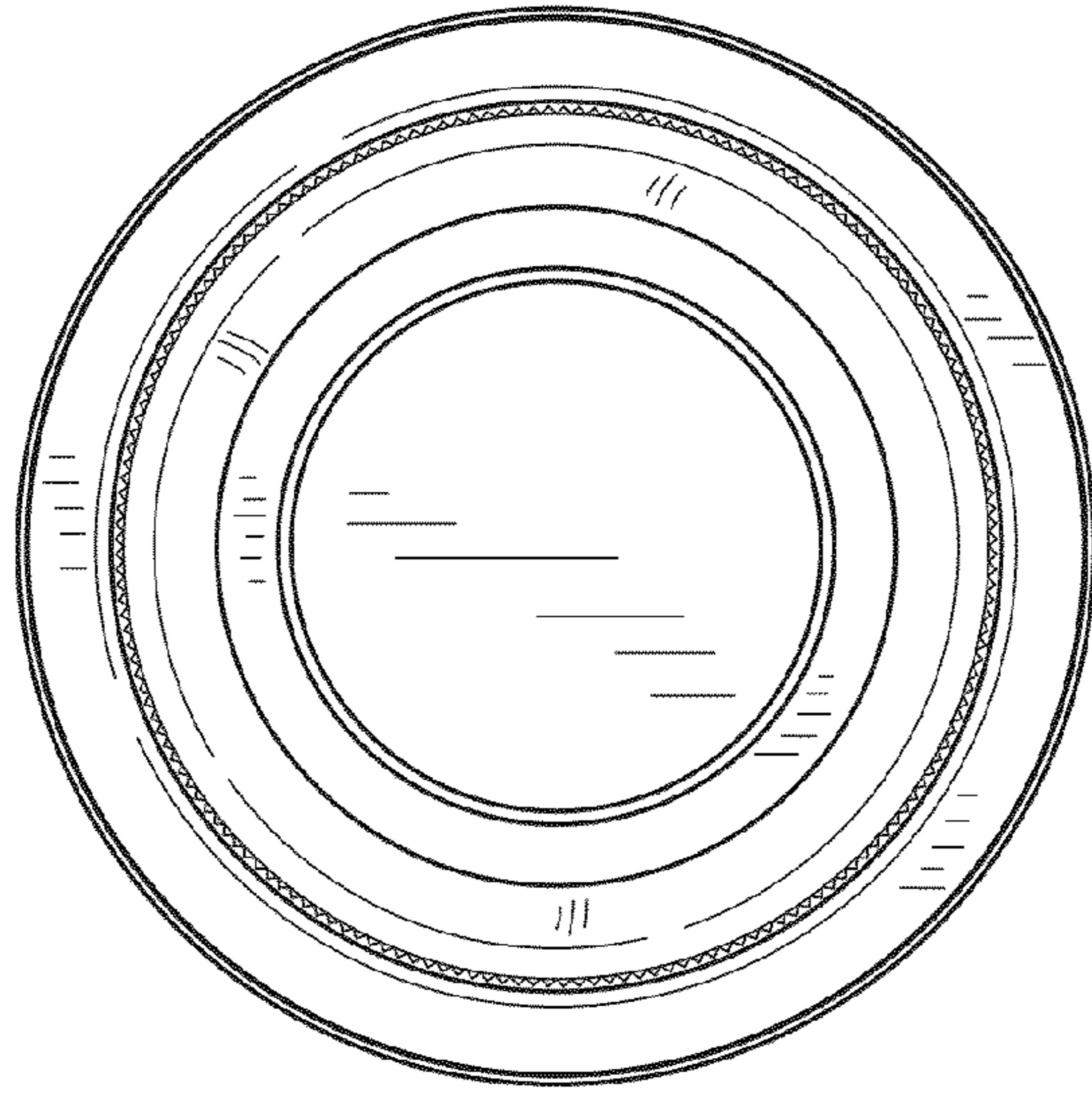


FIG.3

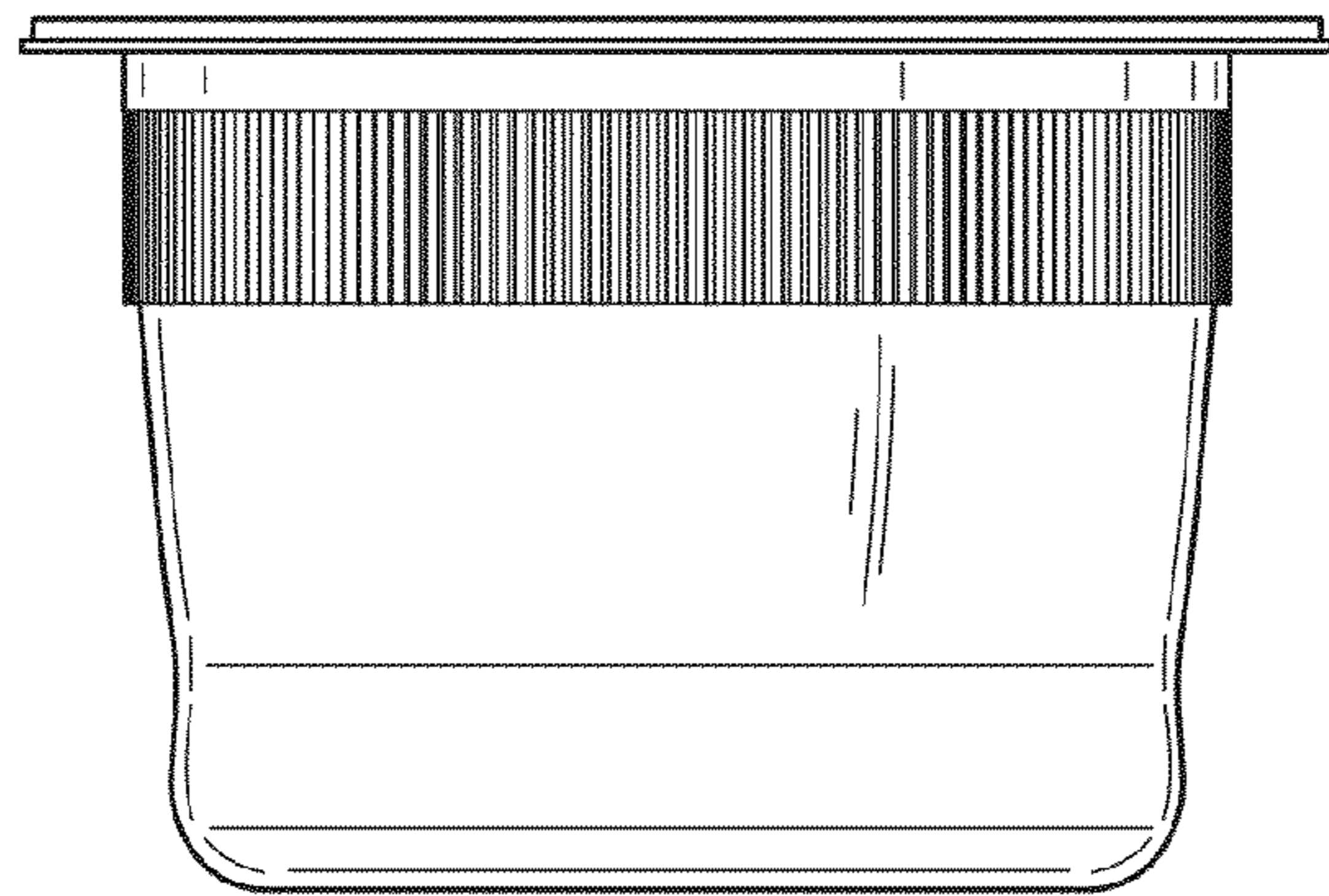


FIG.4

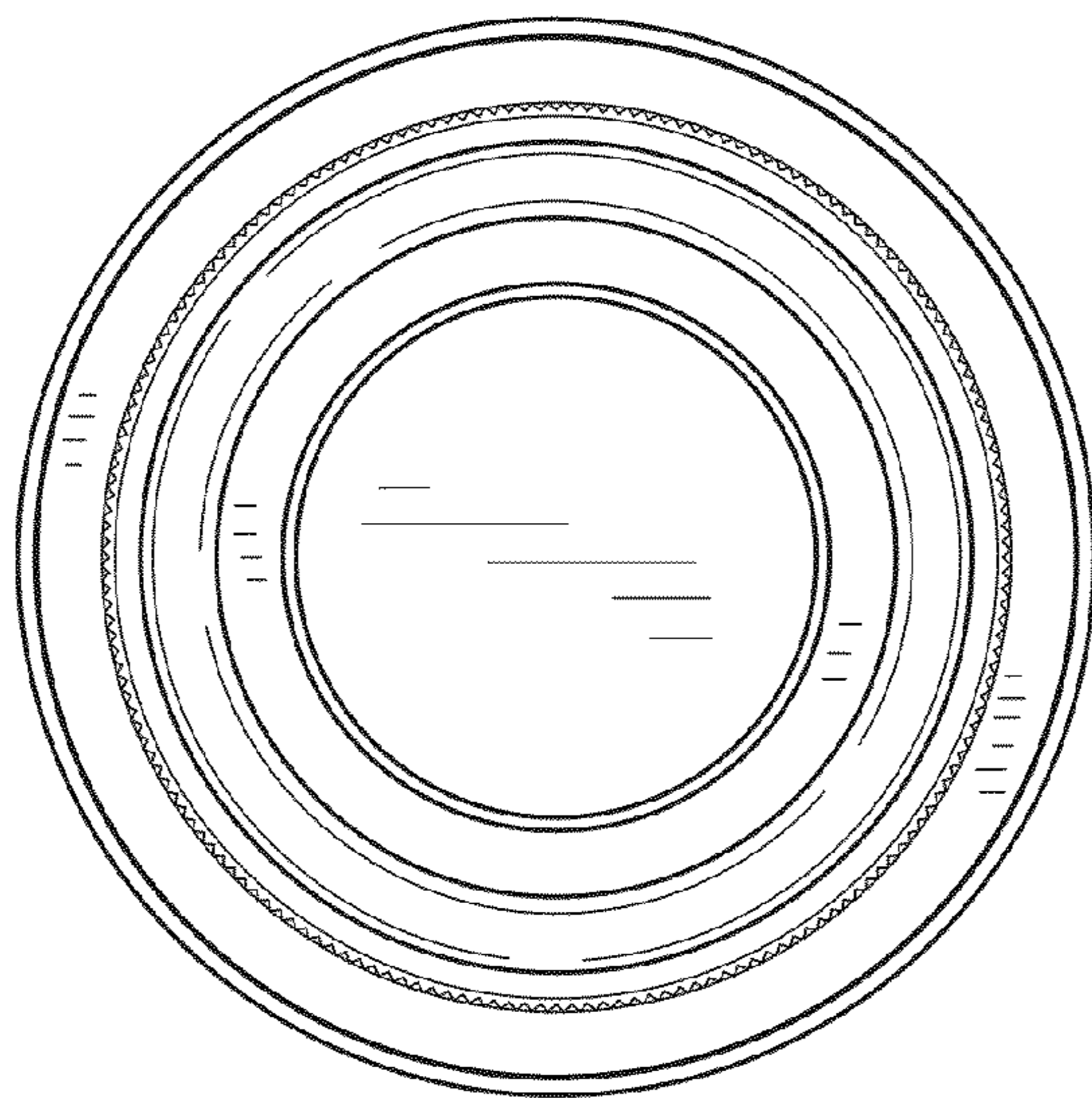


FIG.5