



US00D710684S

(12) **United States Design Patent**  
**Mizuno et al.**

(10) **Patent No.:** **US D710,684 S**

(45) **Date of Patent:** **\*\* Aug. 12, 2014**

(54) **PACKAGE FOR SEWING MACHINE  
NEEDLES**

(71) Applicant: **Organ Needle Co., Ltd.**, Ueda (JP)

(72) Inventors: **Ryoji Mizuno**, Ueda (JP); **Kerstin  
Helen Halgmann**, Aachen (DE)

(73) Assignee: **Organ Needle Co., Ltd.**, Ueda-shi (JP)

(\*\*) Term: **14 Years**

(21) Appl. No.: **29/466,842**

(22) Filed: **Sep. 12, 2013**

(51) **LOC (10) Cl.** ..... **09-03**

(52) **U.S. Cl.**  
USPC ..... **D9/415**

(58) **Field of Classification Search**

USPC ..... D9/346, 414-418, 424, 425, 423, 428,  
D9/429, 431-436, 445, 452-454, 499, 500,  
D9/504, 516, 519, 522, 529, 535, 537, 545,  
D9/551, 571, 672, 675, 702, 711, 715, 721,  
D9/722, 737, 748, 759, 740, 743, 745, 749,  
D9/756, 718, 713, 712, 546, 426, 457, 440,  
D9/438, 447, 700, 701, 670; 206/769, 773,  
206/775-778, 395, 397-398, 223, 736, 756,  
206/495, 349, 760, 541, 784; 229/162.1,  
229/162.3, 162.7, 107, 122, 395, 938, 902,  
229/409, 125.05, 116.1, 8, 22, 132, 131.1,  
229/160, 125.15, 122.27, 122.31, 122.32,  
229/123, 241, 172, 174, 185.1, 120.04,  
229/120.13, 120.14, 120.23, 87.06, 92.3,  
229/103.3, 104.114, 117, 117.08, 117.17,  
229/120; D21/108, 352, 366, 374, 375,  
D21/395, 399, 443, 455, 460, 488, 667, 797,  
D21/800; D11/142; D7/538

See application file for complete search history.

(56) **References Cited**

U.S. PATENT DOCUMENTS

D299,433	S	*	1/1989	Gustafsson	.....	D9/433
D299,621	S	*	1/1989	Kirk	.....	D9/457
D327,427	S	*	6/1992	McCooley	.....	D9/722
D469,012	S	*	1/2003	Lee	.....	D9/434
D479,687	S	*	9/2003	Kumakura	.....	D9/457
D505,809	S	*	6/2005	Cassidy et al.	.....	D6/491
D524,653	S	*	7/2006	Baumgarten	.....	D9/457
D615,402	S	*	5/2010	Doster	.....	D9/457

OTHER PUBLICATIONS

“6 cards or skeins of . . . ” reference dated Jan. 19, 2014, found on internet at <http://www.etsy.com/listing/163054954/6-cards-or-skeins-of-crewel-embroidery?ref=market>.\*

“Japanese tape and paper yarn in new colours” reference dated Mar. 8, 2014 found on internet at <http://www.paperphine.com/?p=348>.\*

\* cited by examiner

*Primary Examiner* — Ian Simmons

*Assistant Examiner* — Rhea Shields

(74) *Attorney, Agent, or Firm* — Kratz, Quintos & Hanson, LLP

(57) **CLAIM**

The ornamental design of a package for sewing machine needles, as shown and described.

**DESCRIPTION**

FIG. 1 is a front view of the package for sewing machine needles according to the present invention;

FIG. 2 is a back view thereof;

FIG. 3 is a right side view thereof, the left side view being a mirror image thereof;

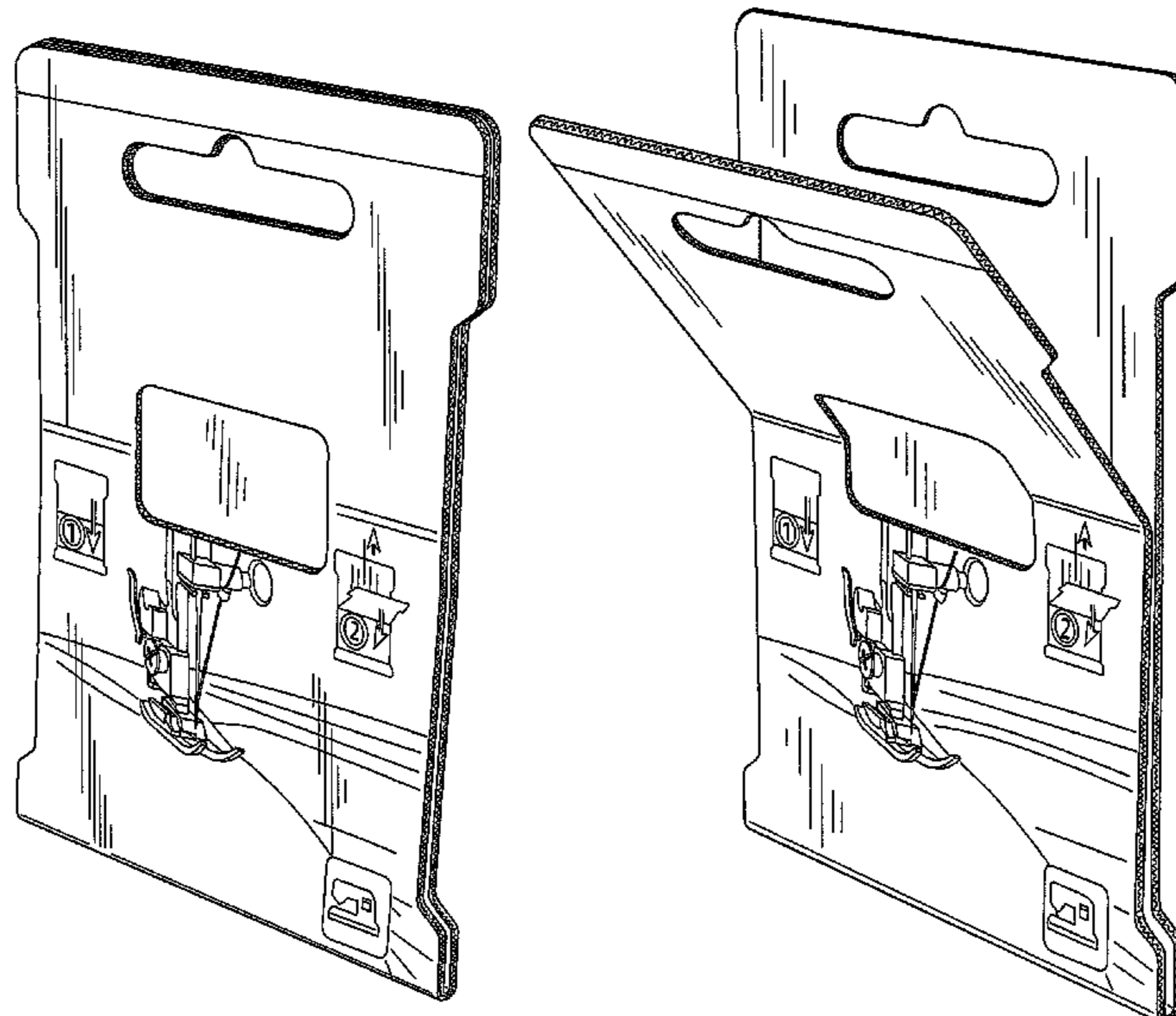
FIG. 4 is a top view thereof;

FIG. 5 is a bottom view thereof;

FIG. 6 is a perspective view thereof; and,

FIG. 7 is a perspective view thereof with the upper part of the component opened.

**1 Claim, 5 Drawing Sheets**



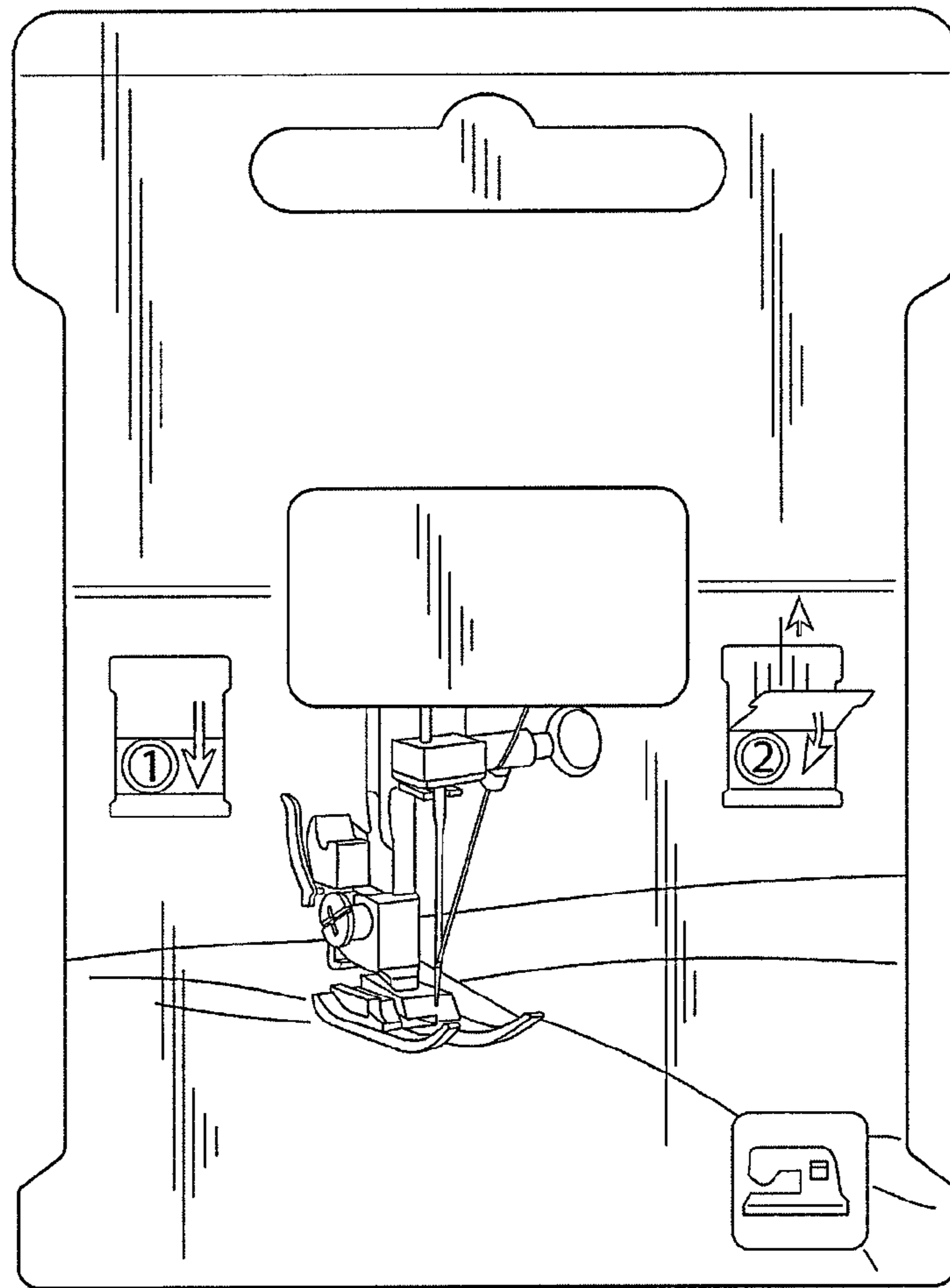


Fig. 1

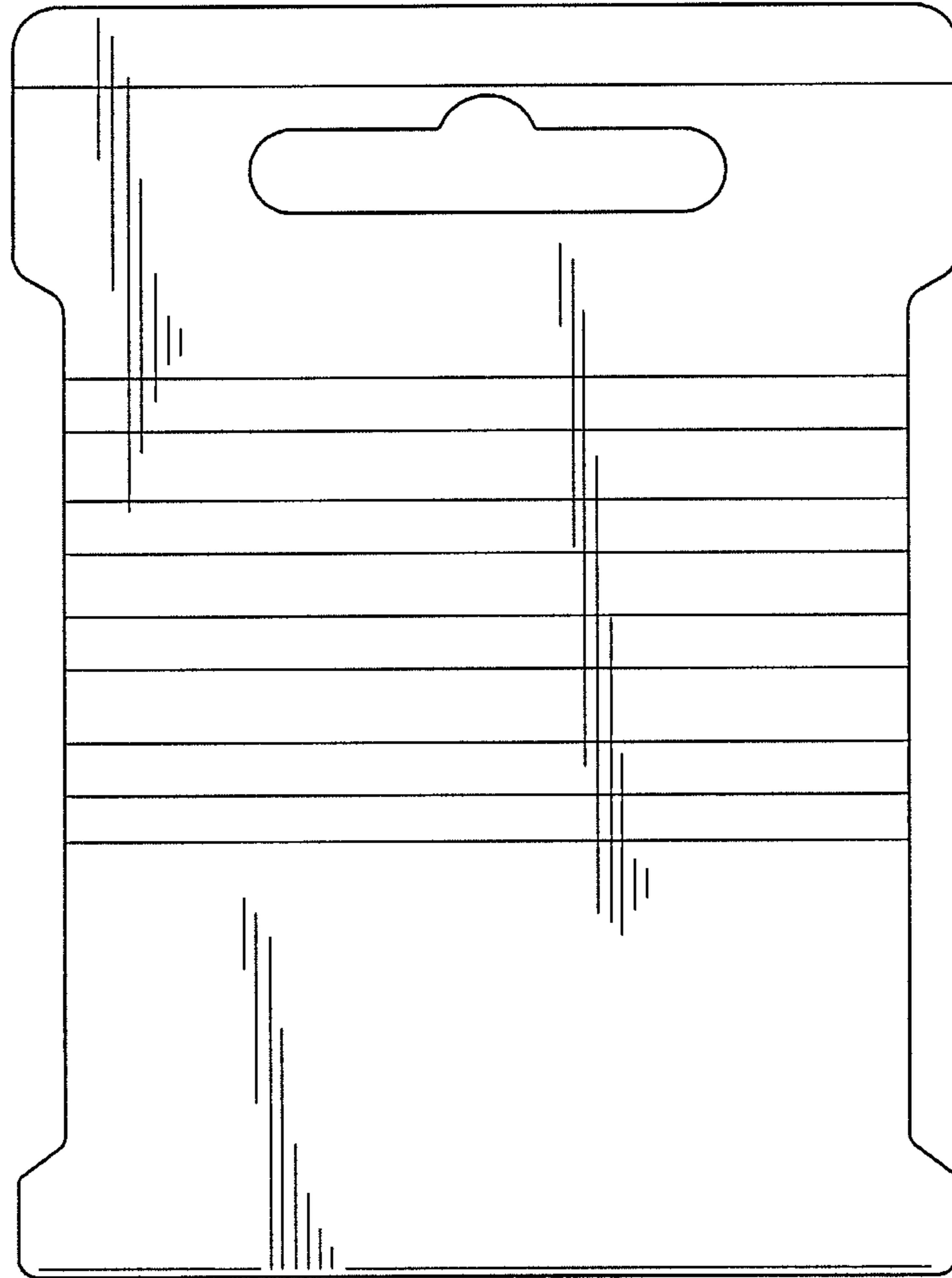


Fig. 2



Fig. 3

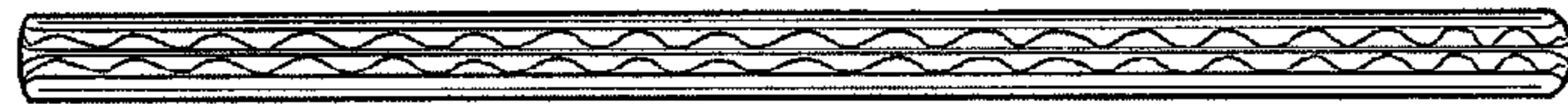


Fig. 4

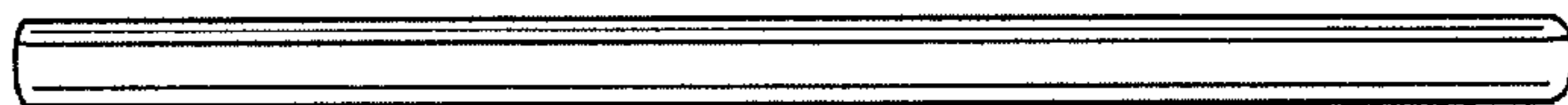


Fig. 5

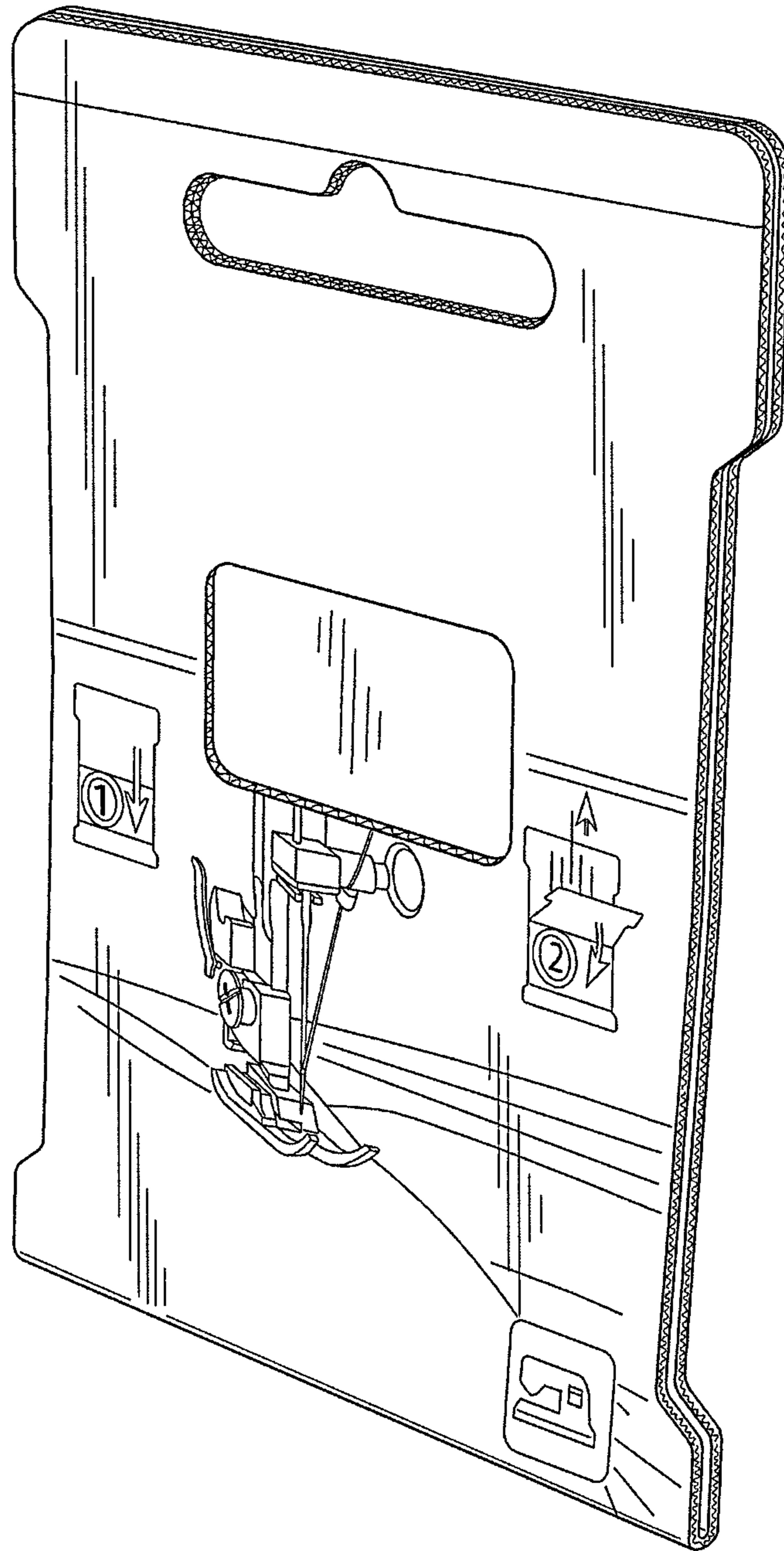


Fig. 6

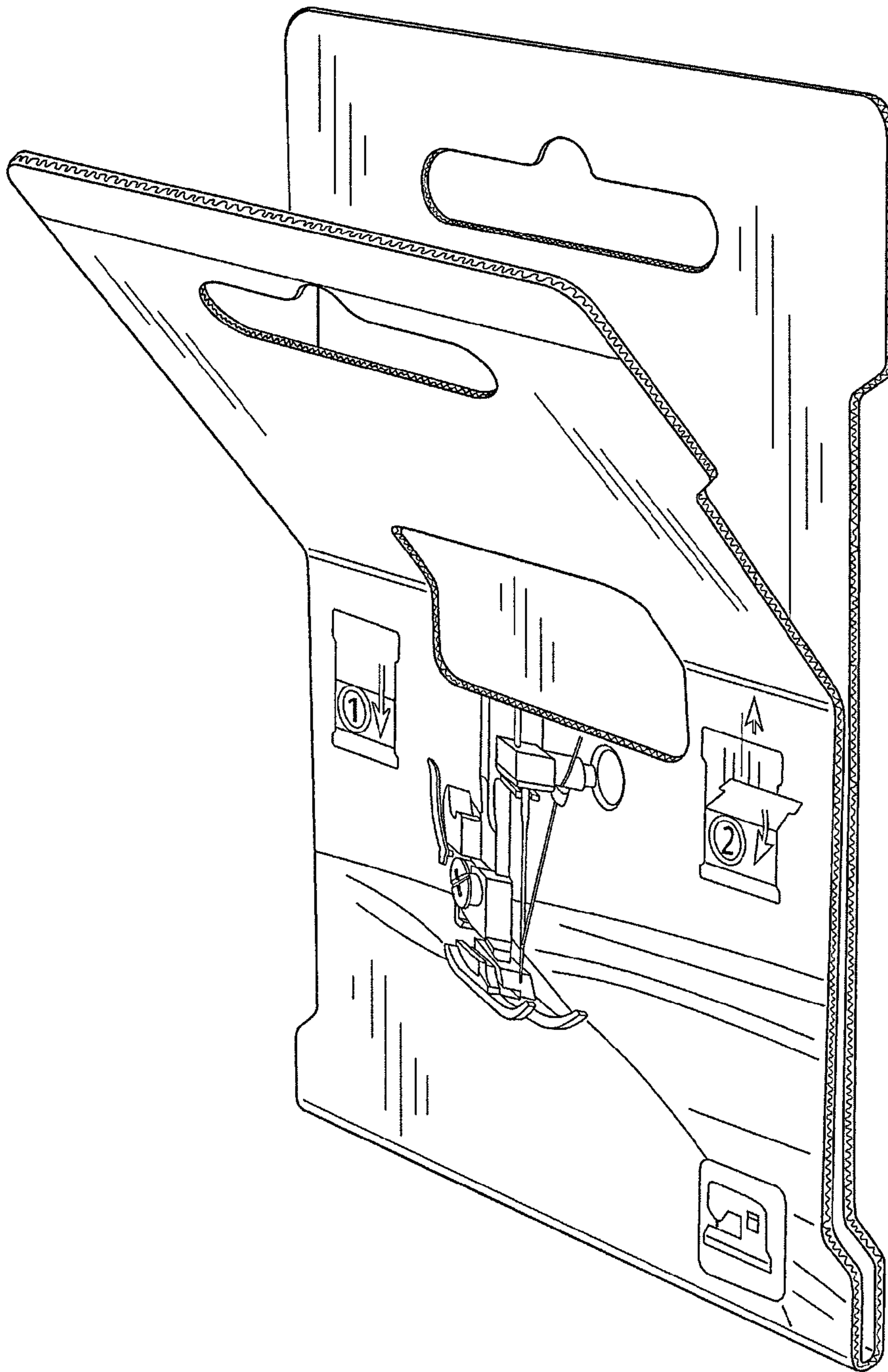


Fig. 7