



US00D710682S

(12) **United States Design Patent**  
**Rose**

(10) **Patent No.:** **US D710,682 S**  
(45) **Date of Patent:** **\*\* Aug. 12, 2014**

- (54) **PIN**
- (71) Applicant: **Douglas L. Rose**, Sherman, CT (US)
- (72) Inventor: **Douglas L. Rose**, Sherman, CT (US)
- (73) Assignee: **Black & Decker Inc.**, Newark, DE (US)
- (\*\*) Term: **14 Years**
- (21) Appl. No.: **29/454,048**
- (22) Filed: **May 6, 2013**

6,062,788 A	5/2000	Ying-Feng	
D455,945 S	4/2002	Gilbert et al.	
D462,257 S *	9/2002	Alexander	D8/391
D462,600 S	9/2002	Gilbert et al.	
6,962,376 B2	11/2005	Palzkill et al.	
7,014,409 B2 *	3/2006	Allaart et al.	411/487
D625,590 S	10/2010	Gaudron	
D654,354 S	2/2012	Jeon	
8,449,237 B2 *	5/2013	Armiento et al.	411/487
D684,039 S *	6/2013	Rose	D8/388

\* cited by examiner

*Primary Examiner* — Sheryl Lane

(74) *Attorney, Agent, or Firm* — Scott B. Markow

**Related U.S. Application Data**

- (63) Continuation of application No. 29/403,096, filed on Sep. 30, 2011, now Pat. No. Des. 684,039.
- (51) **LOC (10) Cl.** ..... **08-08**
- (52) **U.S. Cl.**  
USPC ..... **D8/388**
- (58) **Field of Classification Search**  
USPC ..... D8/387, 388, 391, 385, 384; 411/439, 411/487, 456, 485  
See application file for complete search history.

(57) **CLAIM**

I claim, the ornamental design for a pin, as shown and described.

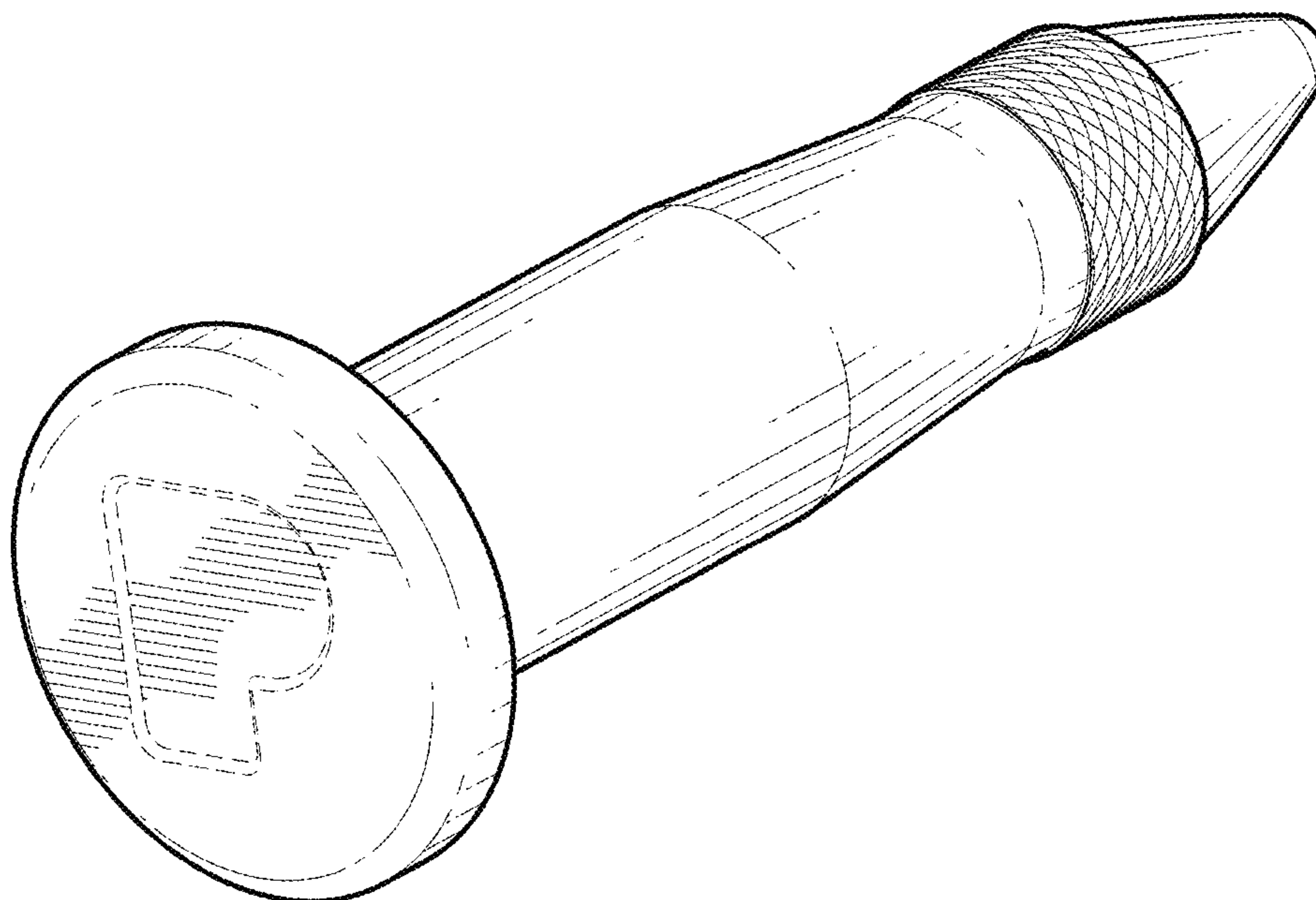
**DESCRIPTION**

FIG. 1 is a perspective view of the pin;  
 FIG. 2 is a side plan view of the pin, views at 90, 180 and 170 degrees of rotation about an axial centerline of the pin being identical;  
 FIG. 3 is an end view of the pin; and,  
 FIG. 4 is another end view opposite the view of FIG. 3 of the pin.  
 The broken line showing of P forms no part of the claimed design.

**1 Claim, 2 Drawing Sheets**

- (56) **References Cited**  
U.S. PATENT DOCUMENTS

D49,704 S	9/1916	Cook
4,915,561 A	4/1990	Buhri et al.
D344,252 S	2/1994	Choi
D366,113 S	1/1996	Morgan
5,860,866 A	1/1999	Van Allman et al.

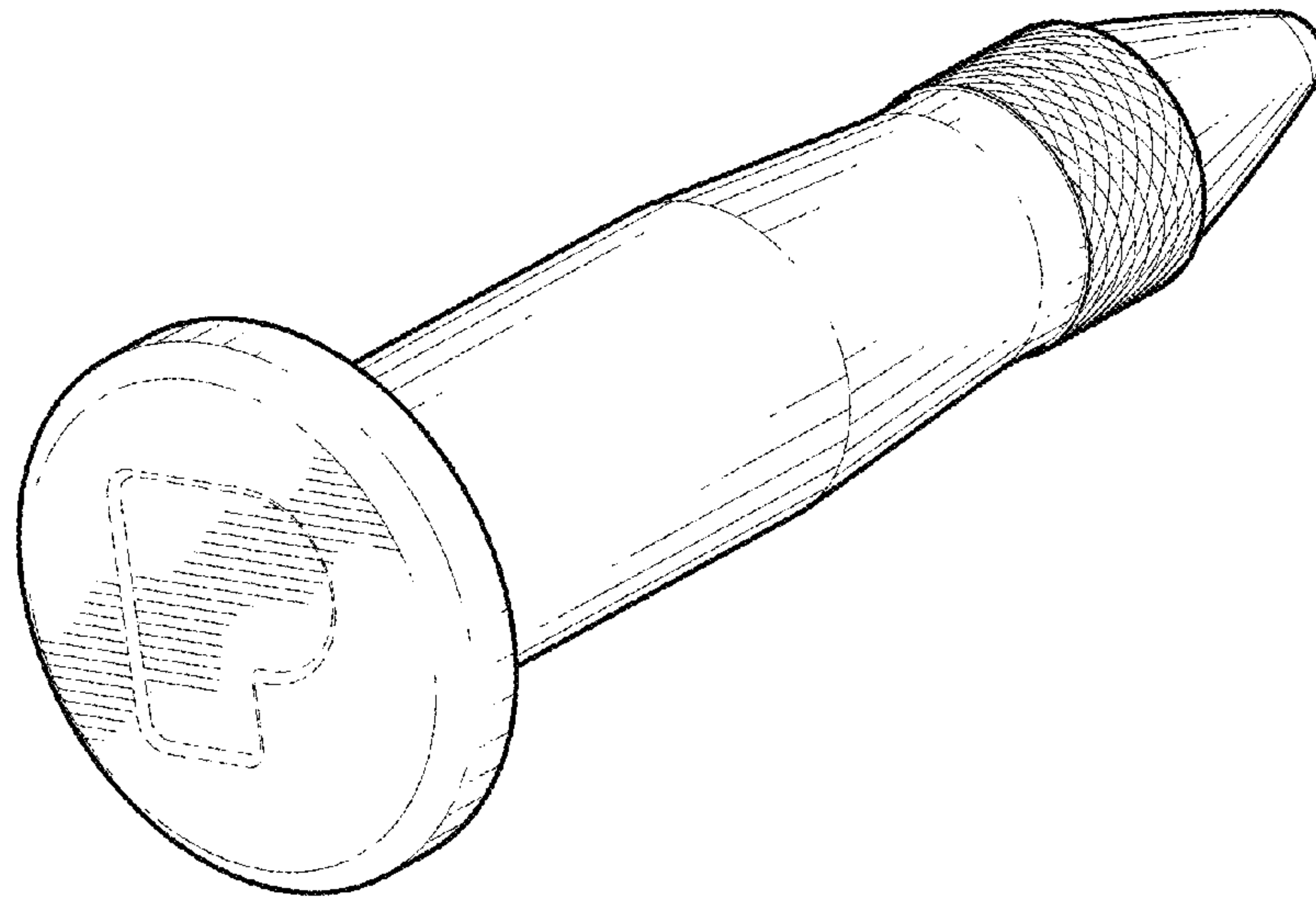


FIG. 1

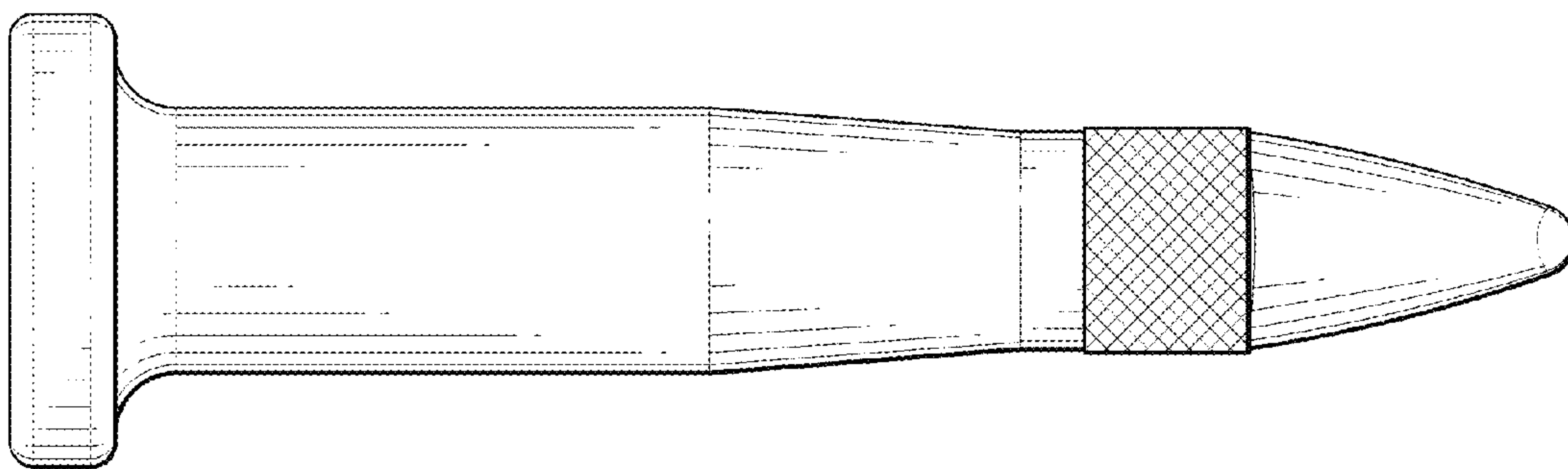


FIG. 2

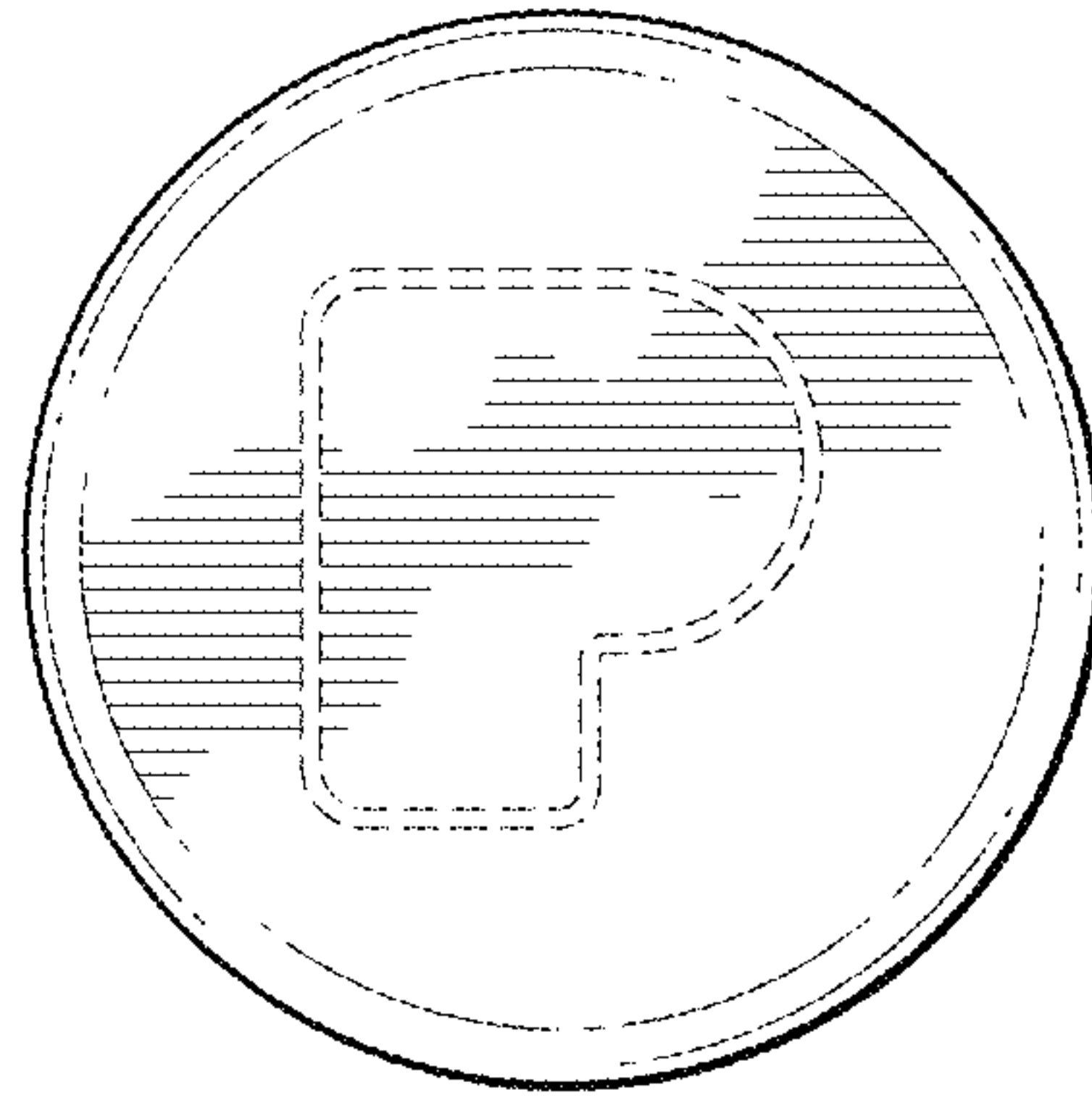


FIG. 3

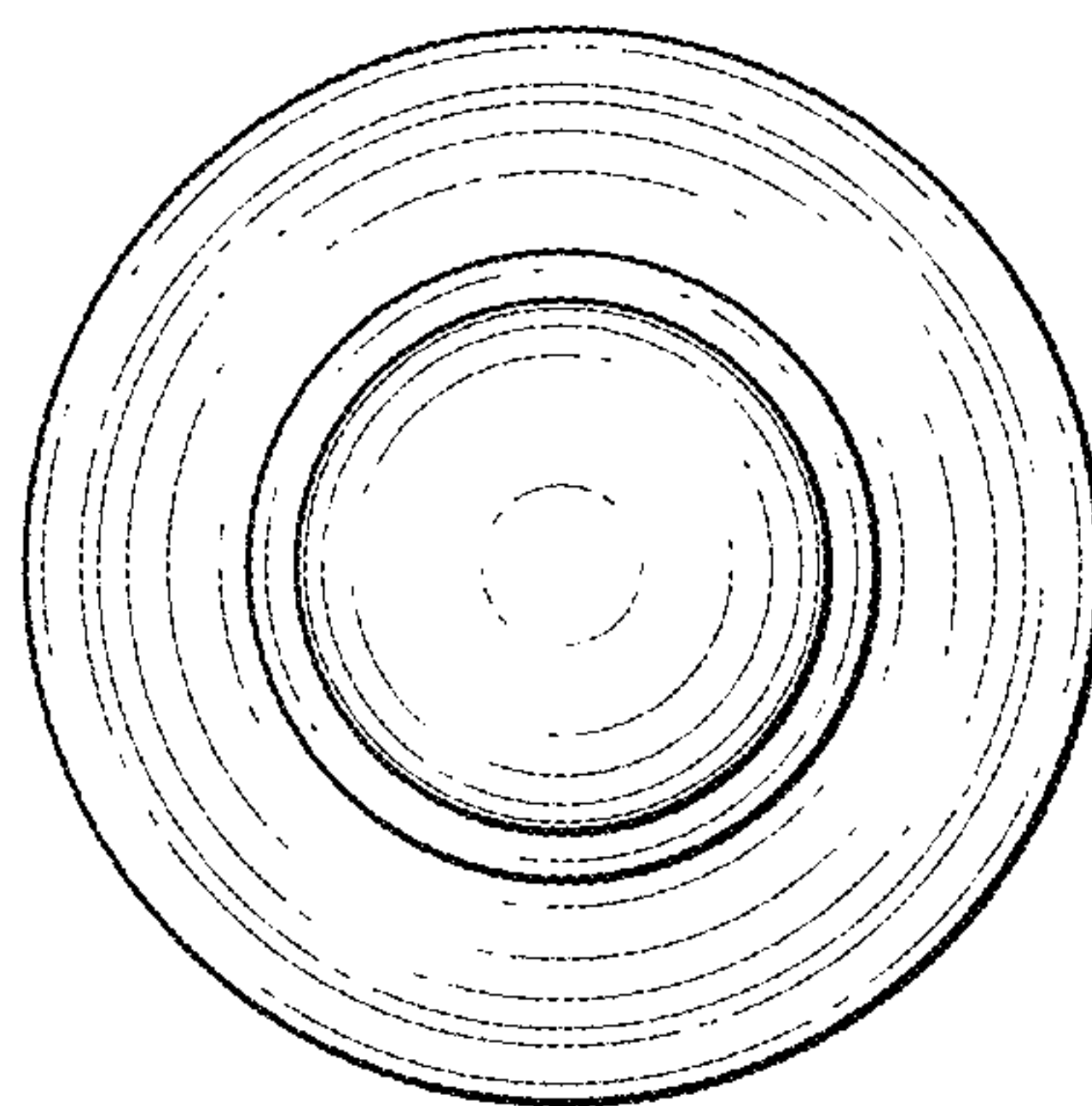


FIG. 4