



US00D710680S

(12) **United States Design Patent**
Chen

(10) **Patent No.:** **US D710,680 S**

(45) **Date of Patent:** **** Aug. 12, 2014**

(54) **RACK CONNECTOR**

(76) Inventor: **Fang Yin Chen**, Taichung (TW)

(**) Term: **14 Years**

(21) Appl. No.: **29/431,397**

(22) Filed: **Sep. 6, 2012**

(51) **LOC (10) Cl.** **08-05**

(52) **U.S. Cl.**
USPC **D8/370; D8/396**

(58) **Field of Classification Search**
CPC F16B 12/32
USPC D8/370, 382, 395, 396; 248/65, 68.1,
248/249, 302
See application file for complete search history.

(56) **References Cited**

U.S. PATENT DOCUMENTS

D24,287	S	*	5/1895	Snedden	D8/370
2,636,704	A	*	4/1953	Norberg	248/79
D311,651	S	*	10/1990	Fetty	D7/601
D338,700	S	*	8/1993	Webb	D21/786
5,996,955	A	*	12/1999	Chen	248/302
D476,847	S	*	7/2003	Kingsley et al.	D7/388
D487,561	S	*	3/2004	Nguyen et al.	D8/370

D631,714	S	*	2/2011	Chen	D7/704
D655,986	S	*	3/2012	Schneider	D7/620
D669,767	S	*	10/2012	Burley	D8/370

* cited by examiner

Primary Examiner — Robert M Spear

(74) *Attorney, Agent, or Firm* — Raymond Y. Chan; David and Raymond Patent Firm

(57) **CLAIM**

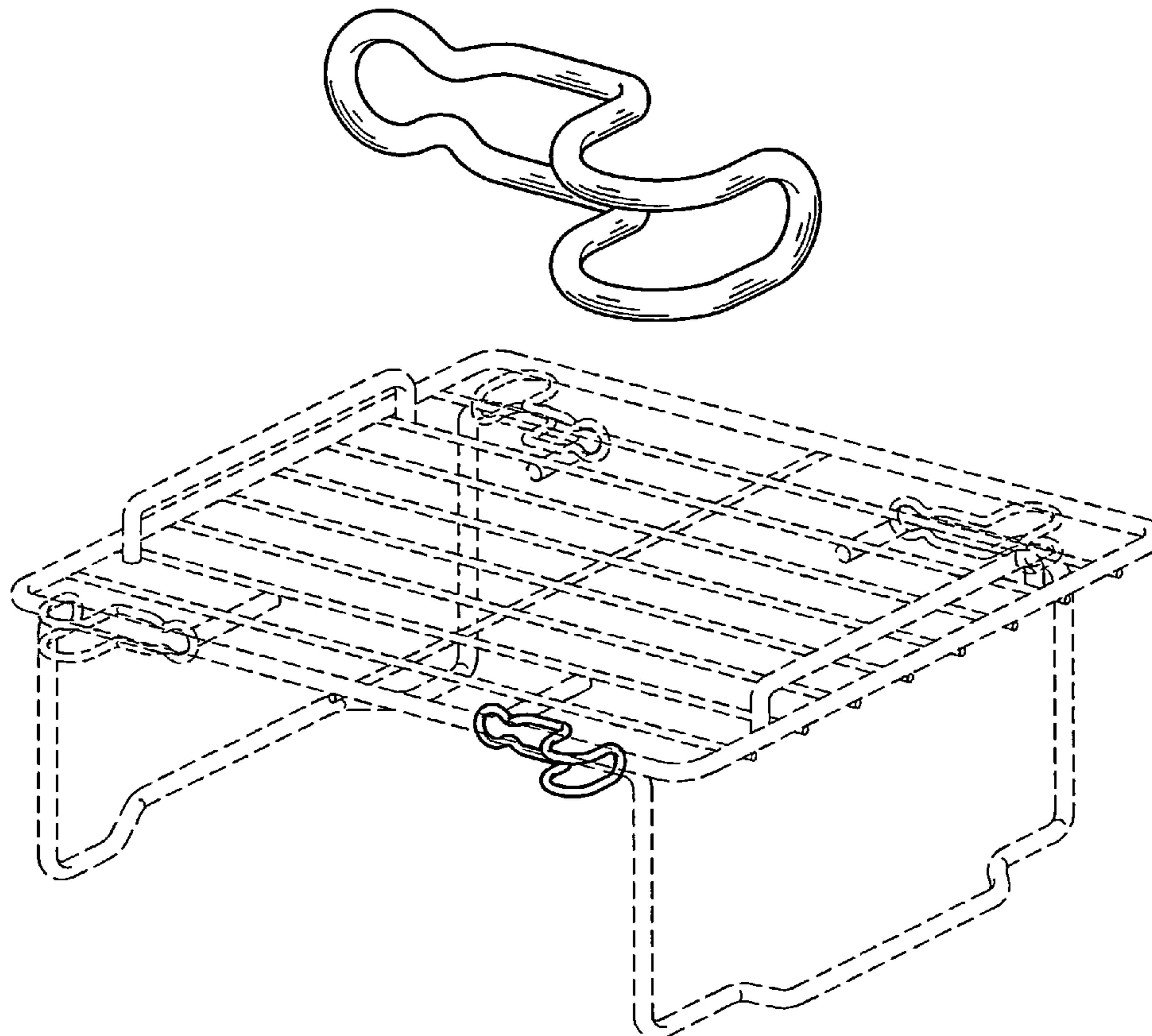
The ornamental design for rack connector, as shown and described.

DESCRIPTION

FIG. 1 is a front perspective view of rack connector showing my new design;
FIG. 2 is a front view thereof;
FIG. 3 is a back view thereof;
FIG. 4 is a left side view thereof;
FIG. 5 is a right side view thereof;
FIG. 6 is a top view thereof;
FIG. 7 is a bottom view thereof; and,
FIG. 8 is a perspective view showing the design of the present invention, where those elements indicated by broken lines are not claimed.

The broken lines shown in the drawings are included for the purpose of illustrating environmental structure and form no part of the claimed design.

1 Claim, 5 Drawing Sheets



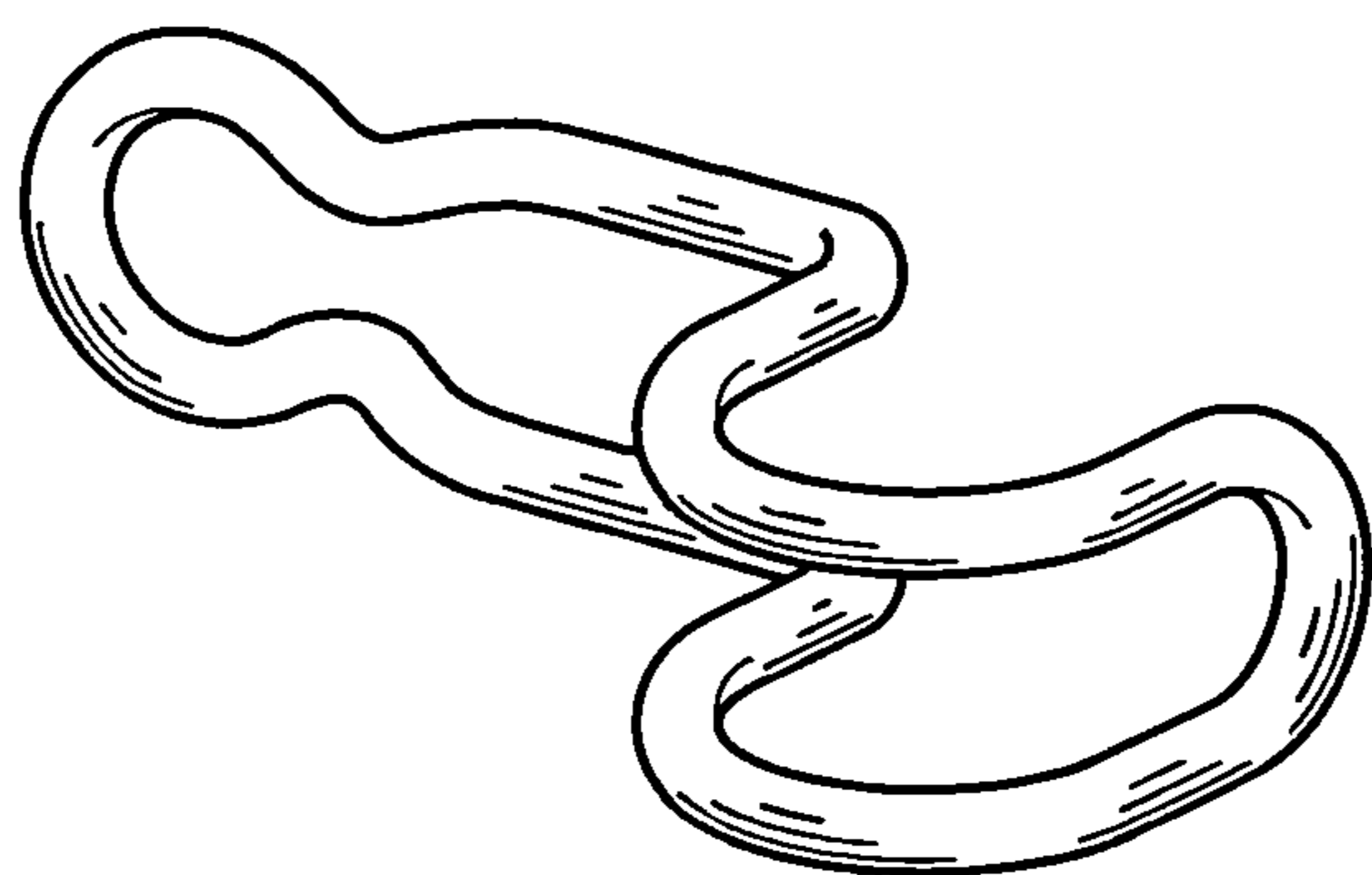


FIG. 1

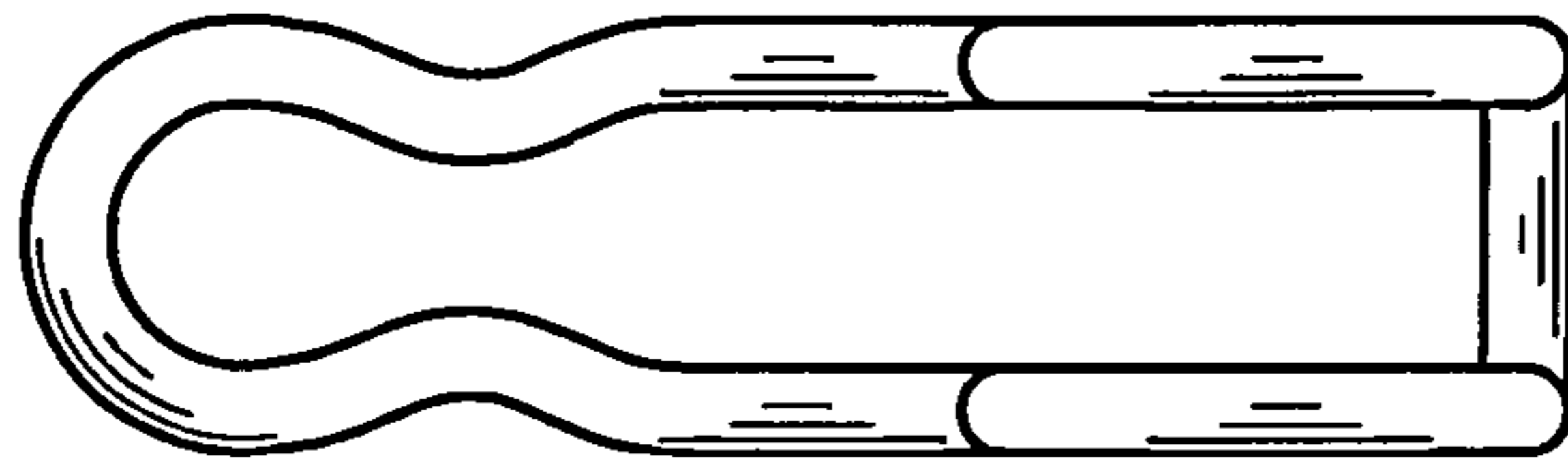


FIG. 2

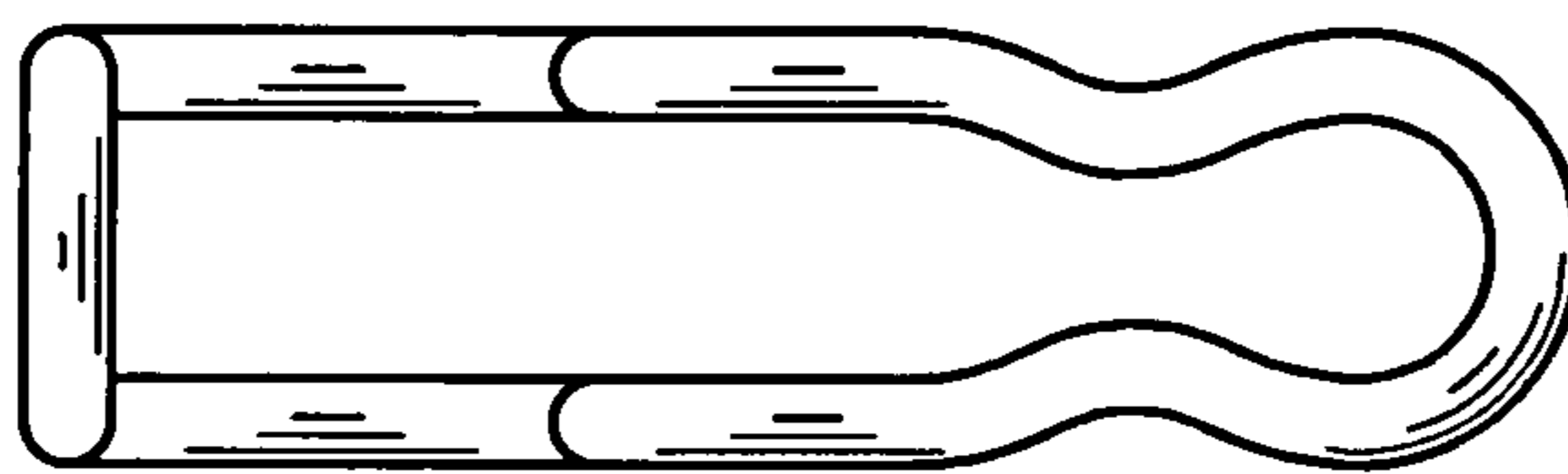


FIG. 3

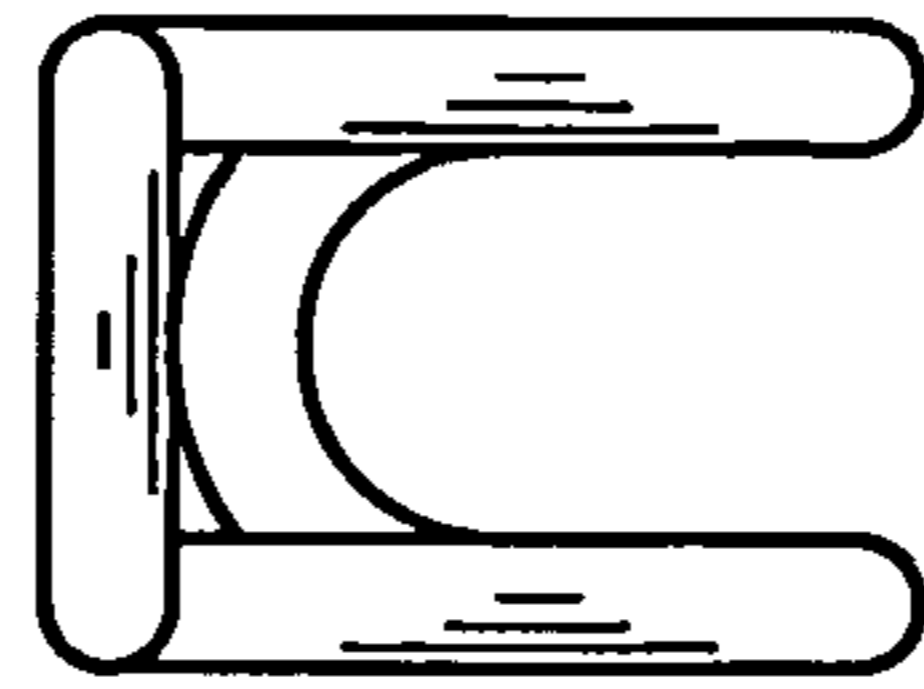


FIG. 4

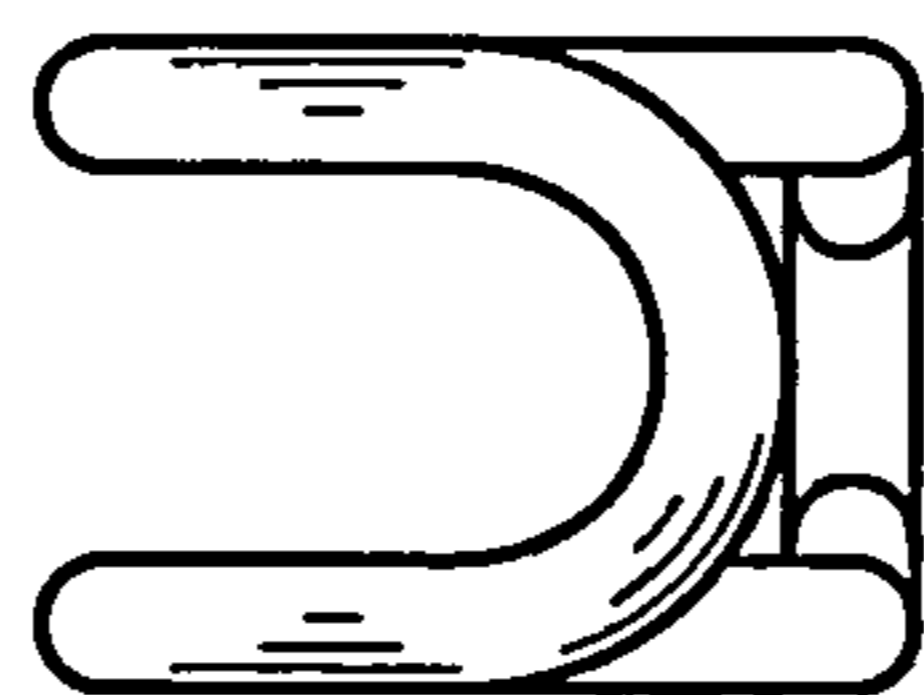


FIG. 5

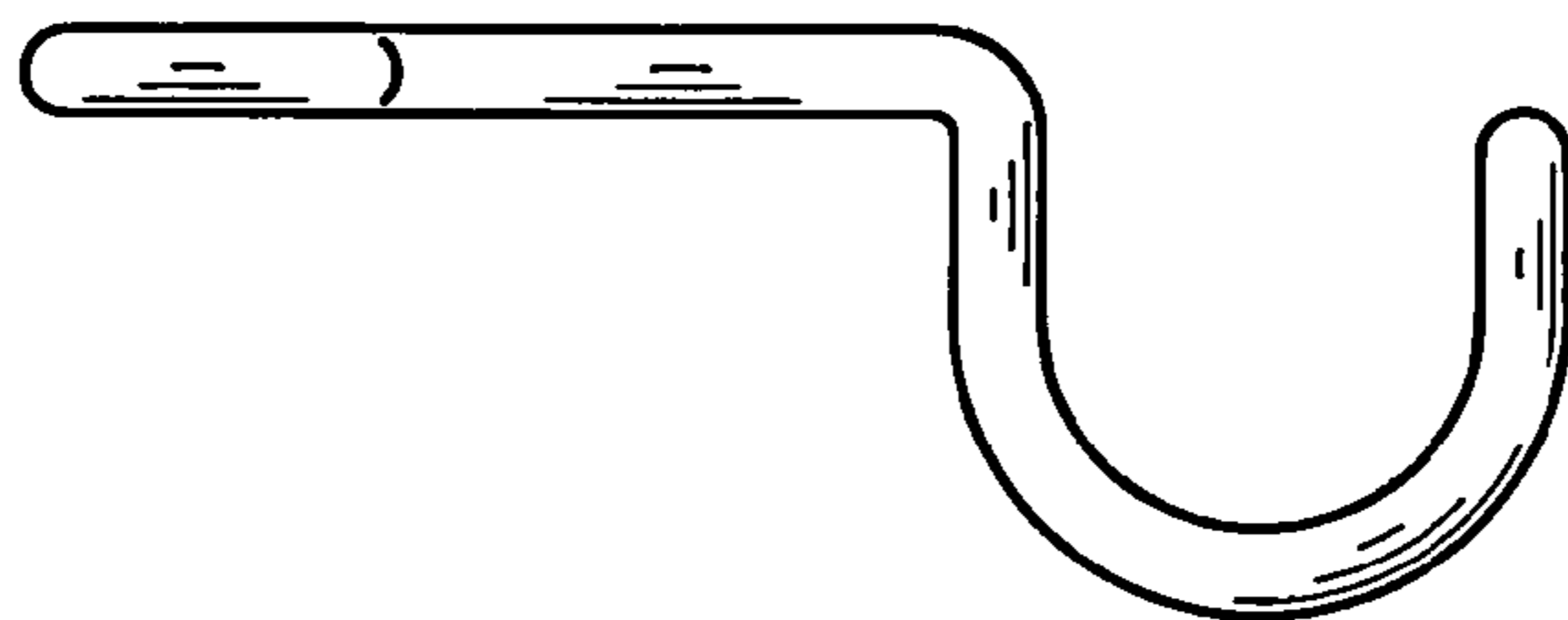


FIG. 6

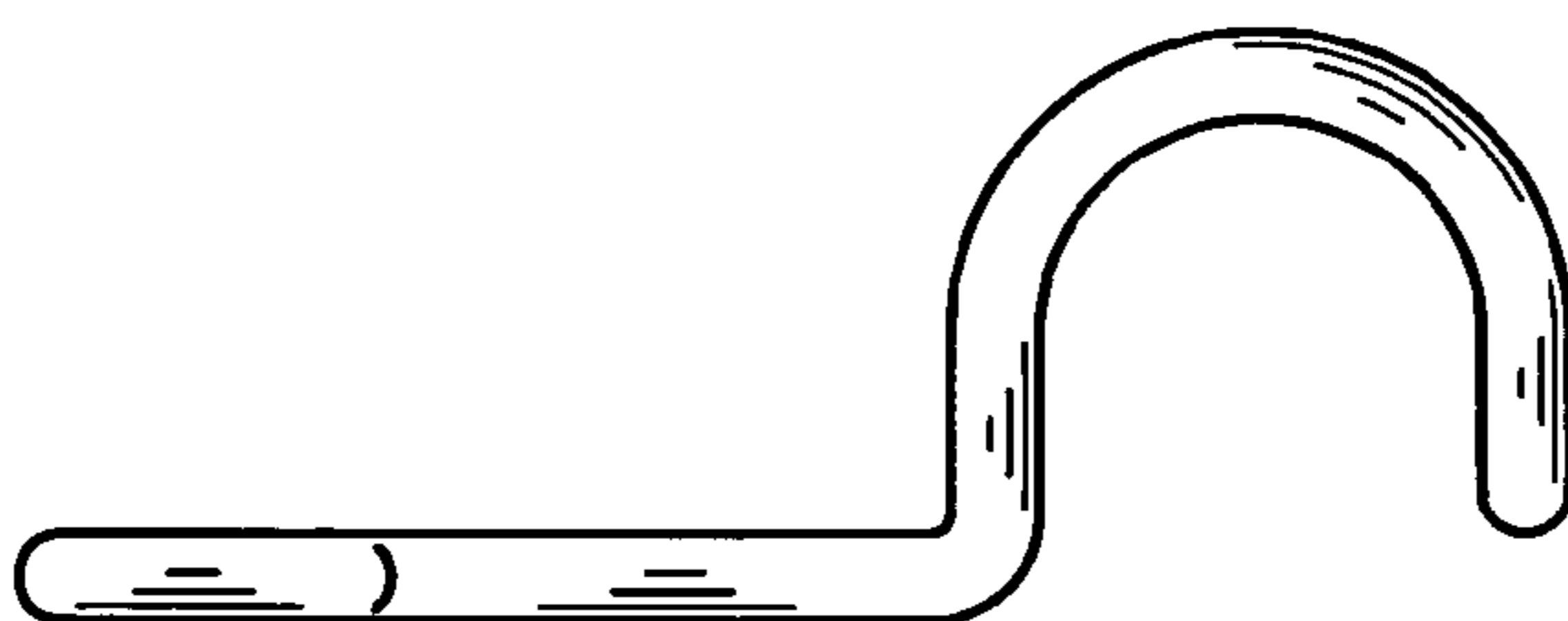


FIG. 7

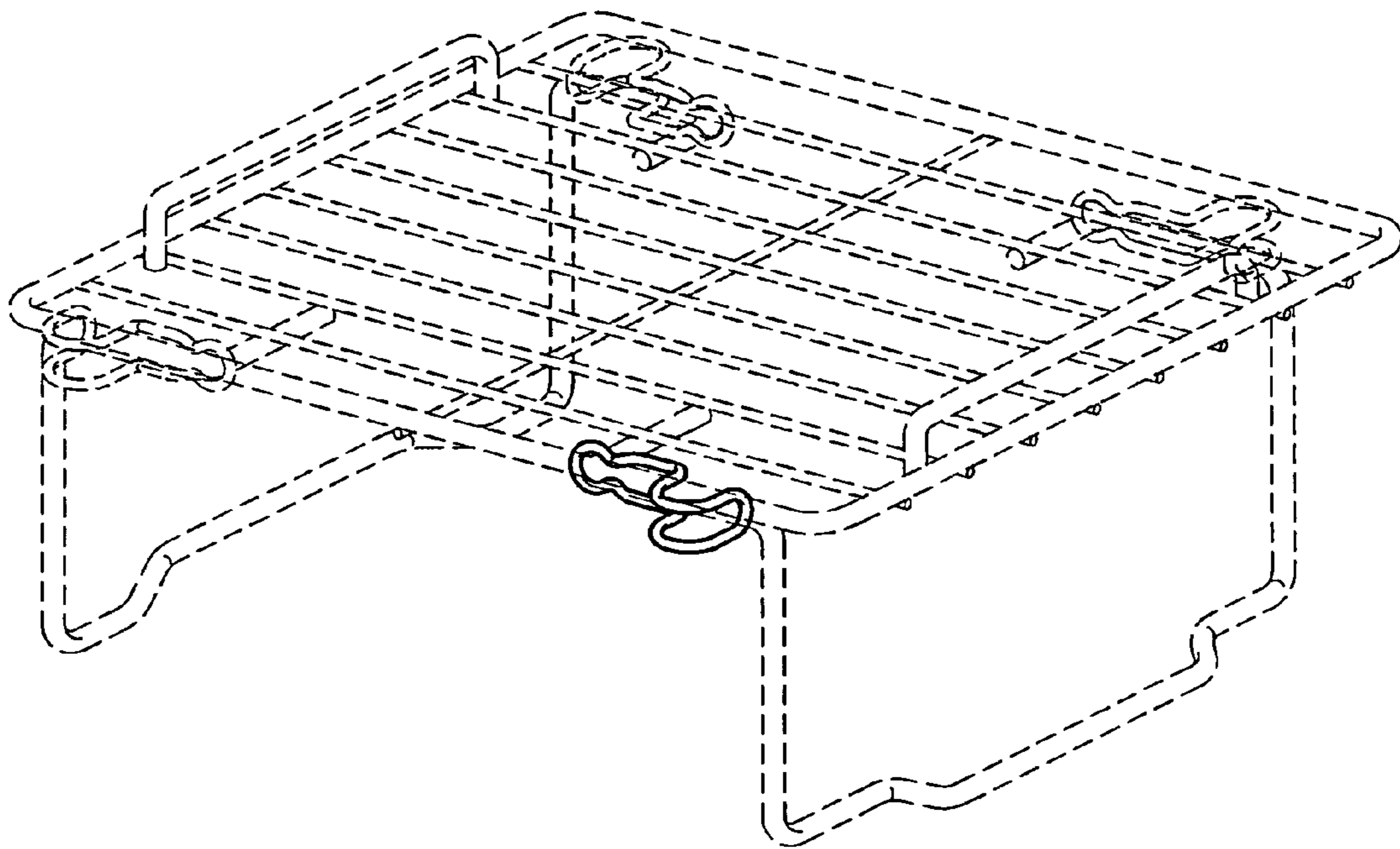


FIG. 8