



US00D710677S

(12) **United States Design Patent**
Frandsen

(10) **Patent No.:** **US D710,677 S**

(45) **Date of Patent:** **** Aug. 12, 2014**

(54) **CLAMPS FOR PIPES**

(75) Inventor: **Soren B. Frandsen**, Dalmose (DK)

(73) Assignee: **SMCP ApS** (DK)

(**) Term: **14 Years**

(21) Appl. No.: **29/426,883**

(22) Filed: **Jul. 11, 2012**

(51) **LOC (10) Cl.** **08-05**

(52) **U.S. Cl.**
USPC **D8/356**

(58) **Field of Classification Search**
USPC D8/395, 396, 356, 360, 355, 361, 362,
D8/366, 367, 380, 377, 349; D23/249,
D23/265, 209; 446/124; 248/74.2, 71, 493,
248/67.5, 74.4; 24/16 R

See application file for complete search history.

(56) **References Cited**

U.S. PATENT DOCUMENTS

3,069,805	A	*	12/1962	Burrows	446/124
4,110,951	A	*	9/1978	Padrun	52/686
D269,851	S	*	7/1983	Kimura	D8/356
D377,754	S	*	2/1997	Abbott et al.	D8/395
D417,611	S	*	12/1999	van de Lande	D8/395

D422,887	S	*	4/2000	Potter	D8/356
D423,330	S	*	4/2000	Potter et al.	D8/356
6,371,419	B1	*	4/2002	Ohnuki	248/74.2
D570,675	S	*	6/2008	Snider et al.	D8/395
D669,346	S	*	10/2012	Jonsson et al.	D8/396
D677,558	S	*	3/2013	Frandsen	D8/356
D679,177	S	*	4/2013	Craig et al.	D8/395

* cited by examiner

Primary Examiner — Deanna L Pratt

Assistant Examiner — Harold Blackwell, II

(74) *Attorney, Agent, or Firm* — St. Onge Steward Johnston & Reens LLC

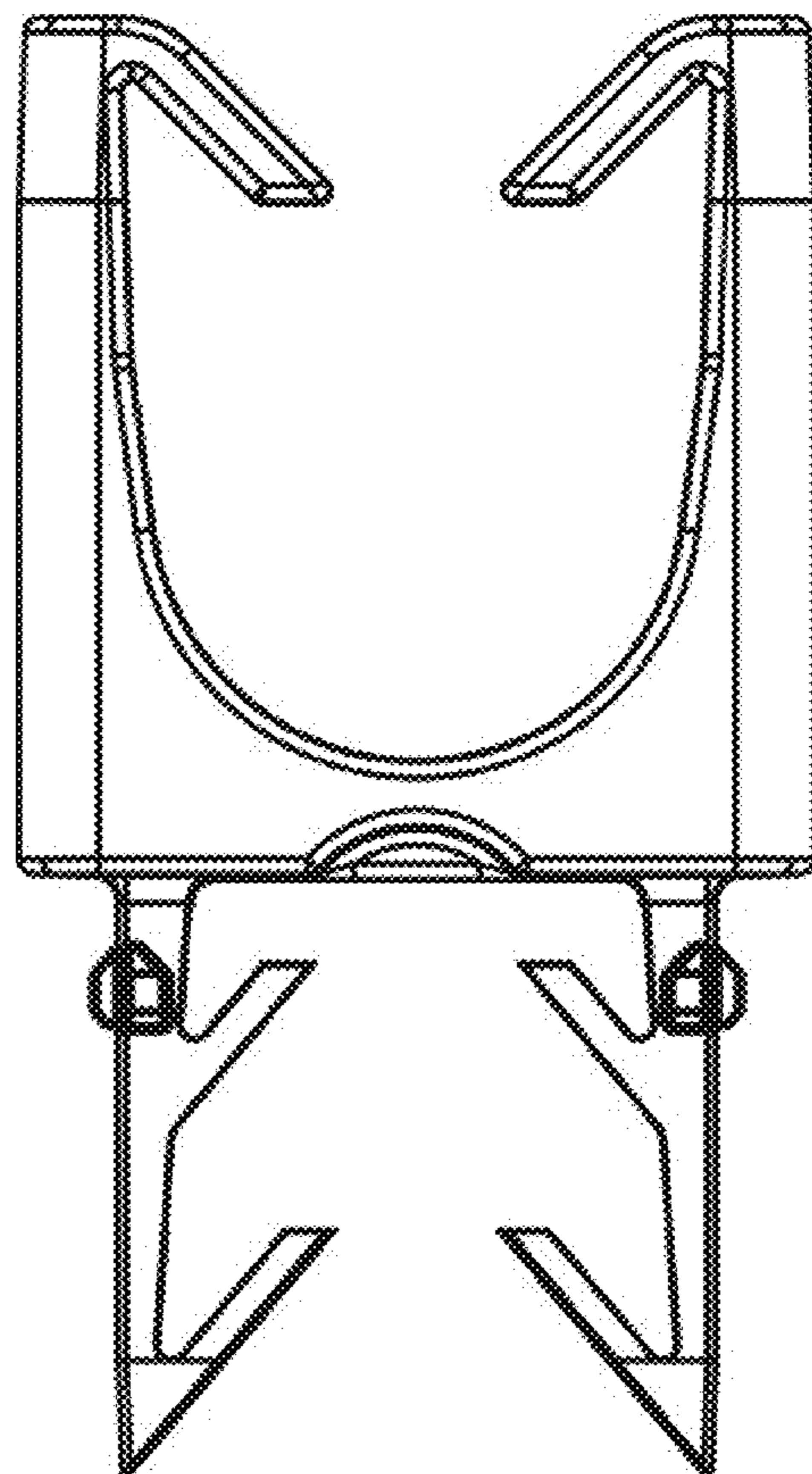
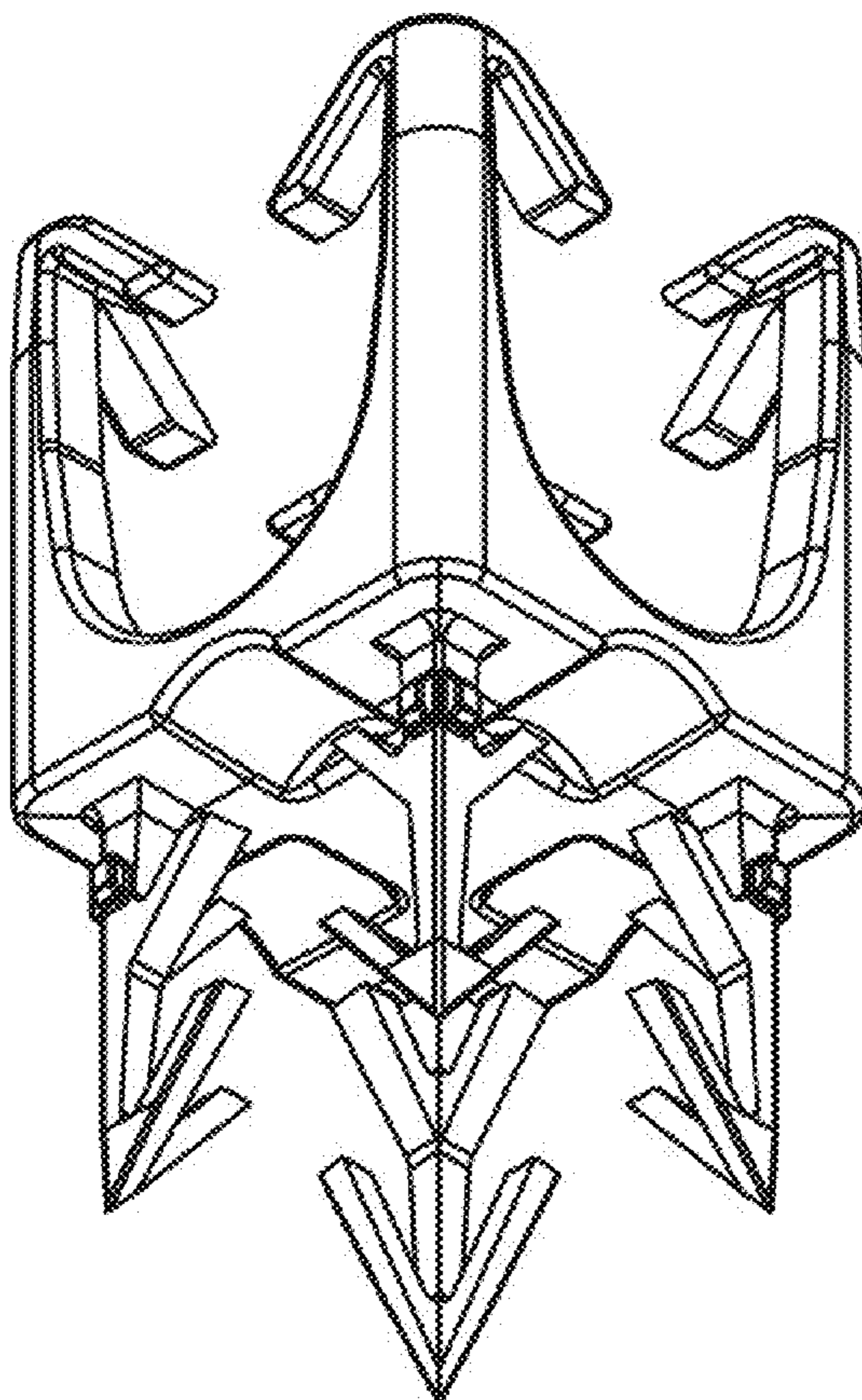
(57) **CLAIM**

The ornamental design for clamps for pipes, as shown and described.

DESCRIPTION

FIG. 1 is a front, left side and bottom perspective view of clamps for pipes in accordance with the new design; FIG. 2 is a front view thereof; with the left side, right side and rear views being identical views thereof; FIG. 3 is a bottom plan view thereof; and, FIG. 4 is a top plan view thereof.

1 Claim, 4 Drawing Sheets



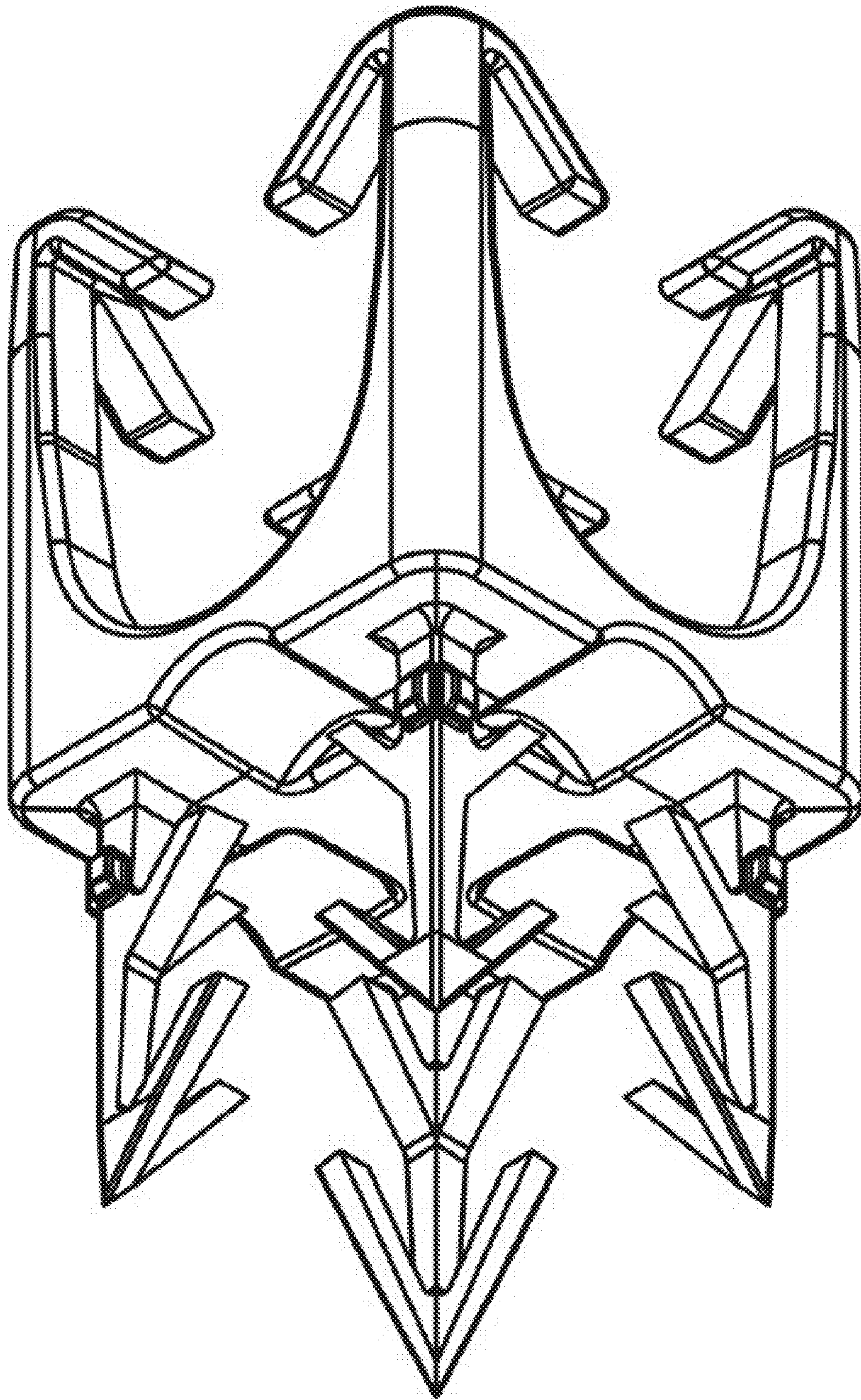


FIG. 1

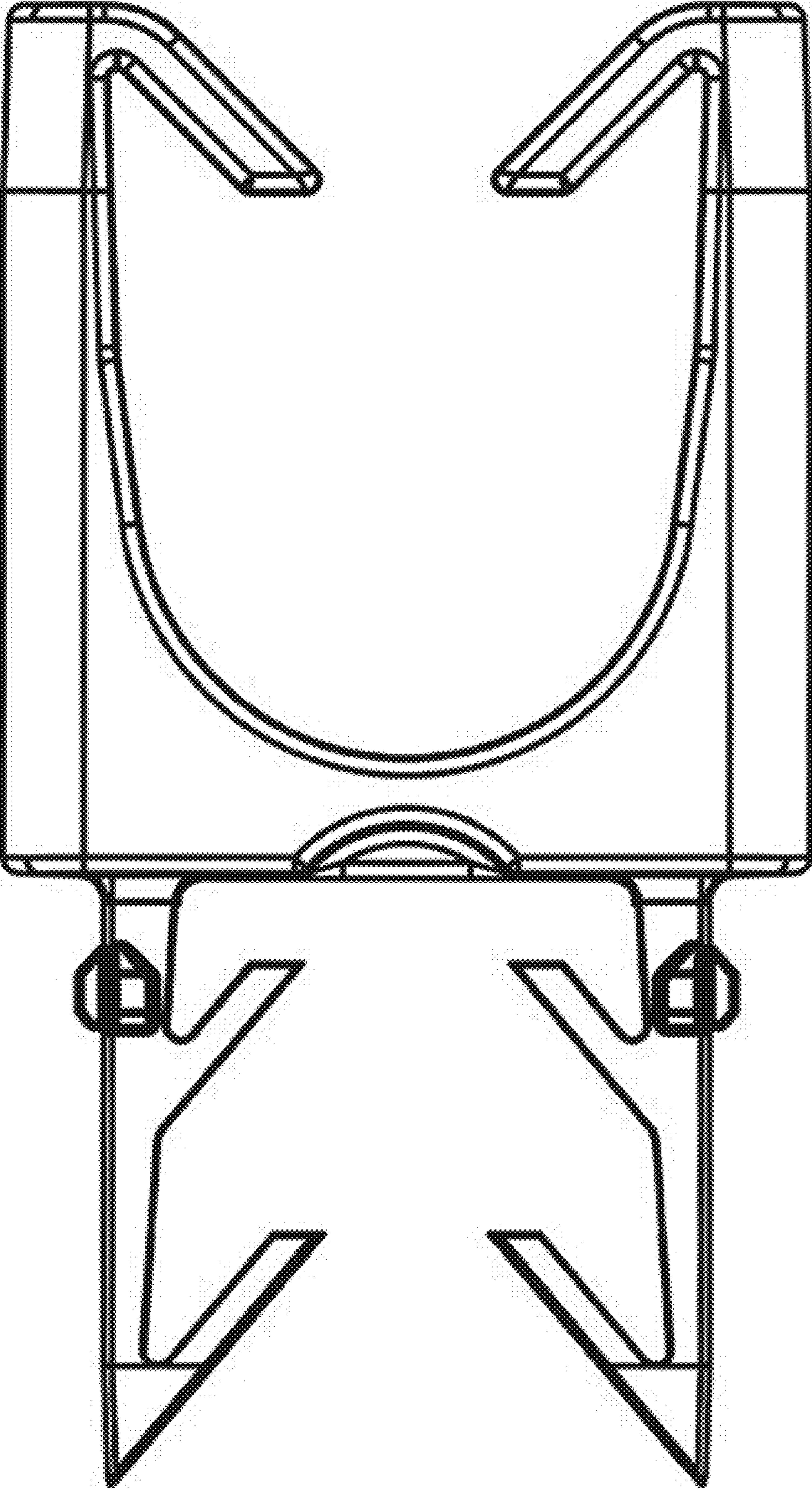


FIG. 2

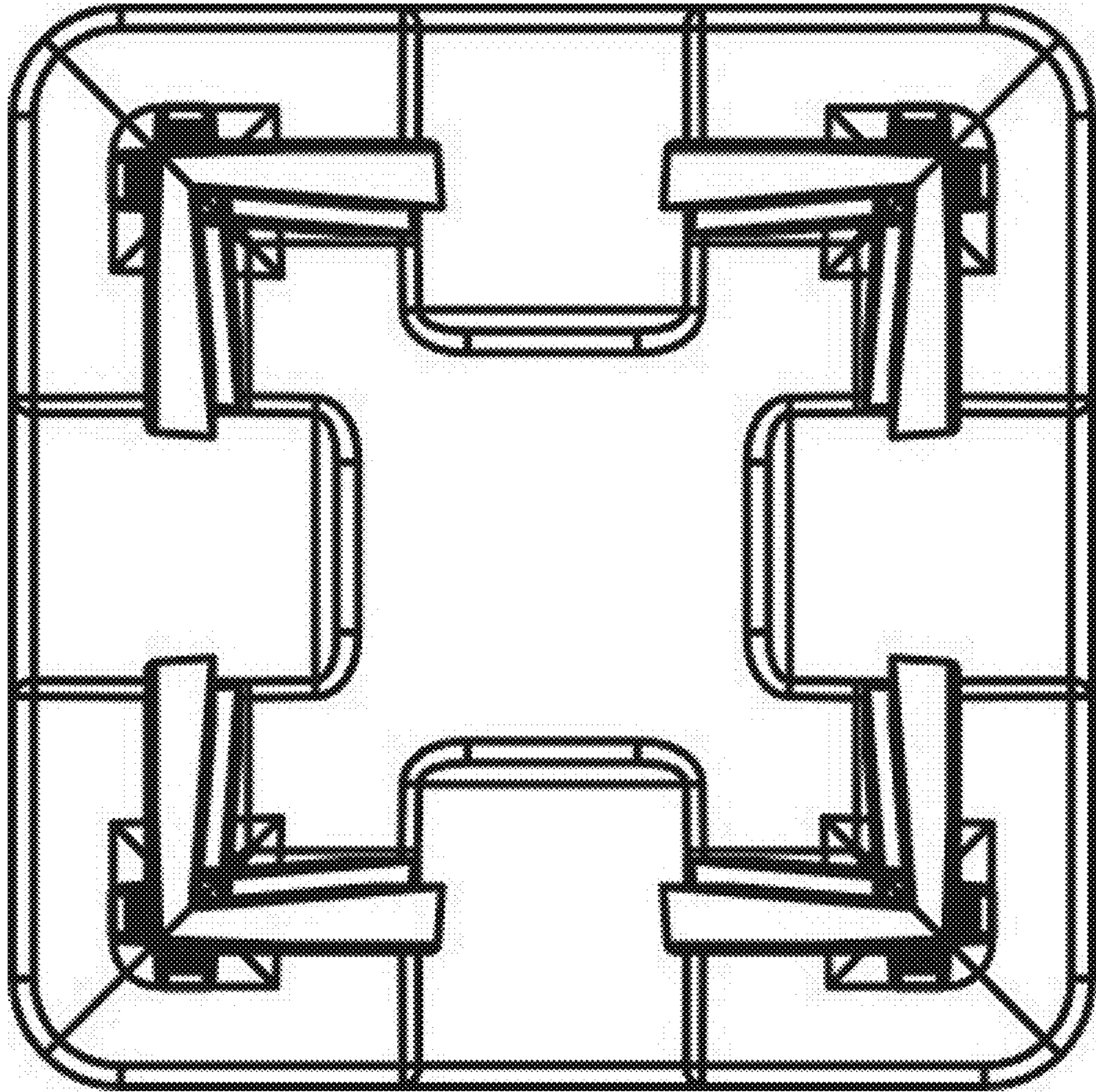


FIG. 3

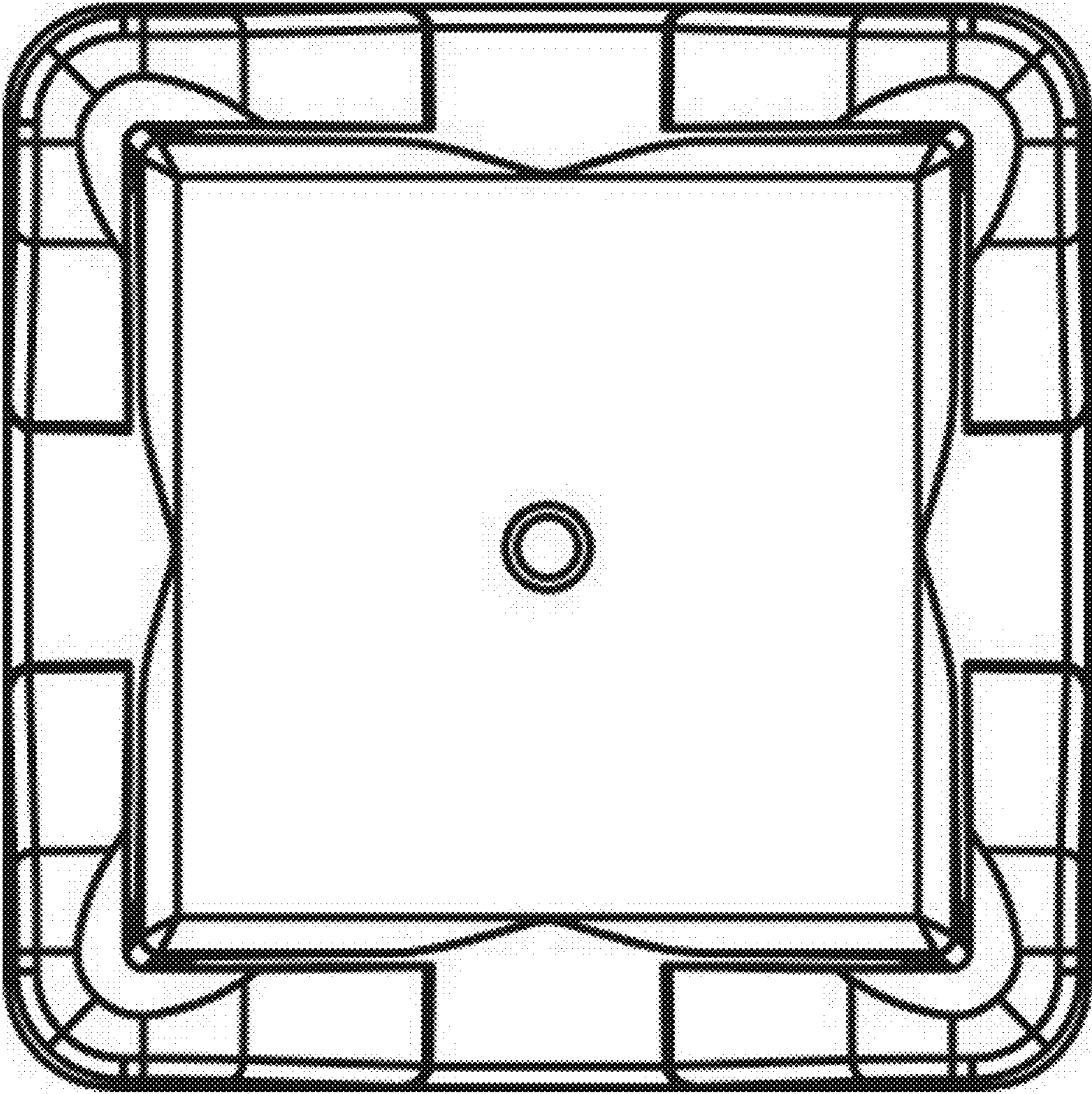


FIG. 4

UNITED STATES PATENT AND TRADEMARK OFFICE
CERTIFICATE OF CORRECTION

PATENT NO. : D710,677 S
APPLICATION NO. : 29/426883
DATED : August 12, 2014
INVENTOR(S) : Soren B. Frandsen

Page 1 of 1

It is certified that error appears in the above-identified patent and that said Letters Patent is hereby corrected as shown below:

On the Title Page

Item (30) please insert, as follows:

--(30) Foreign Application Priority Data
January 13, 2012.....EM 001975194--

Signed and Sealed this
Twenty-eighth Day of March, 2017



Michelle K. Lee
Director of the United States Patent and Trademark Office