



US00D710673S

(12) **United States Design Patent**
Boo et al.

(10) **Patent No.:** **US D710,673 S**
(45) **Date of Patent:** **** Aug. 12, 2014**

(54) **CONTROL KNOB**

(71) Applicant: **Samsung Electronics Co., Ltd.**,
Suwon-si (KR)

(72) Inventors: **Min-Hyoug Boo**, Seoul (KR);
Kang-Doo Kim, Seoul (KR)

(73) Assignee: **Samsung Electronics Co., Ltd.**,
Suwon-si (KR)

(**) Term: **14 Years**

(21) Appl. No.: **29/455,969**

(22) Filed: **May 28, 2013**

(30) **Foreign Application Priority Data**

Dec. 5, 2012 (KR) 30-2012-0058455

(51) **LOC (10) Cl.** **08-06**

(52) **U.S. Cl.**
CPC **G05G 1/10** (2013.01)
USPC **D8/311**

(58) **Field of Classification Search**
CPC G05G 1/10
USPC D8/300, 307, 310, 311; D7/402, 393;
16/110.1, 414, 433, 441, DIG. 30;
74/553; 126/211, 215, 216, 214 C
See application file for complete search history.

(56) **References Cited**

U.S. PATENT DOCUMENTS

D141,840 S *	7/1945	Stewart	D8/307
D145,188 S *	7/1946	Stewart	D8/311
D167,619 S *	9/1952	Coran	D8/307
D187,224 S *	2/1960	Jakeway	D8/300
D187,532 S *	3/1960	Jakeway	D8/300
D198,028 S *	4/1964	Collins	D8/311
3,303,717 A *	2/1967	Valenti	74/553
D208,918 S *	10/1967	Dole, Jr.	D8/311
3,534,706 A *	10/1970	Crispell	116/320

4,012,806 A *	3/1977	Howie, Jr.	16/441
4,409,861 A *	10/1983	Sakurai	74/501.6
D371,486 S *	7/1996	Chan	D7/393
D400,778 S *	11/1998	Holbrook, Jr.	D8/311
6,155,691 A *	12/2000	Miyasaka	362/30
D498,657 S *	11/2004	Milrud et al.	D8/311
D525,518 S *	7/2006	Baldwin	D8/310
7,171,727 B2 *	2/2007	Wylie et al.	16/441
D567,060 S *	4/2008	Busalt et al.	D8/310
D587,556 S *	3/2009	Marks	D8/312
D612,705 S *	3/2010	Baker et al.	D8/311
D628,457 S *	12/2010	Bengtson	D8/311
D634,156 S *	3/2011	Fuller et al.	D7/393
D634,602 S *	3/2011	Bengtson	D8/311
7,908,713 B2 *	3/2011	Yoshinaka et al.	16/441
D642,042 S *	7/2011	Kim et al.	D8/311
2013/0228038 A1 *	9/2013	Klimecki	74/553

* cited by examiner

Primary Examiner — Paula Greene

(74) *Attorney, Agent, or Firm* — NSIP Law

(57) **CLAIM**

The ornamental design for a control knob, as shown and described.

DESCRIPTION

FIG. 1 is a perspective view of a control knob, showing our new design;
FIG. 2 is a front view thereof;
FIG. 3 is a rear view thereof;
FIG. 4 is a left-side view thereof;
FIG. 5 is a right-side view thereof;
FIG. 6 is a top plan view thereof;
FIG. 7 is a bottom plan view thereof; and,
FIG. 8 is a perspective view of a control knob of FIG. 1, in which a gas-range oven in broken lines is provided to illustrate an example environment.
The broken lines are for illustrative purposes only and form no part of the claimed design. The shade lines in the figures show contour and not surface ornamentation.

1 Claim, 7 Drawing Sheets

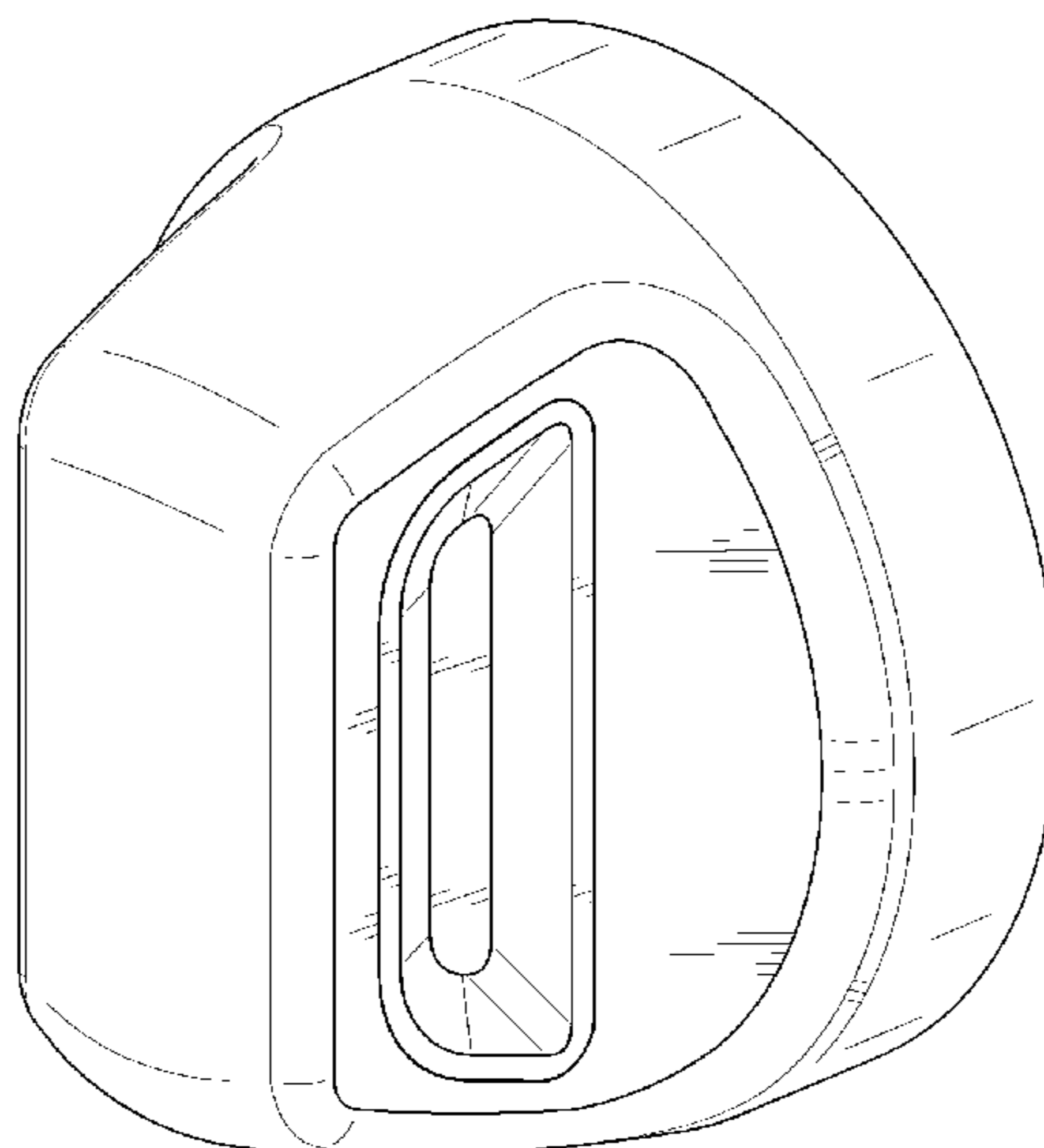


FIG. 1

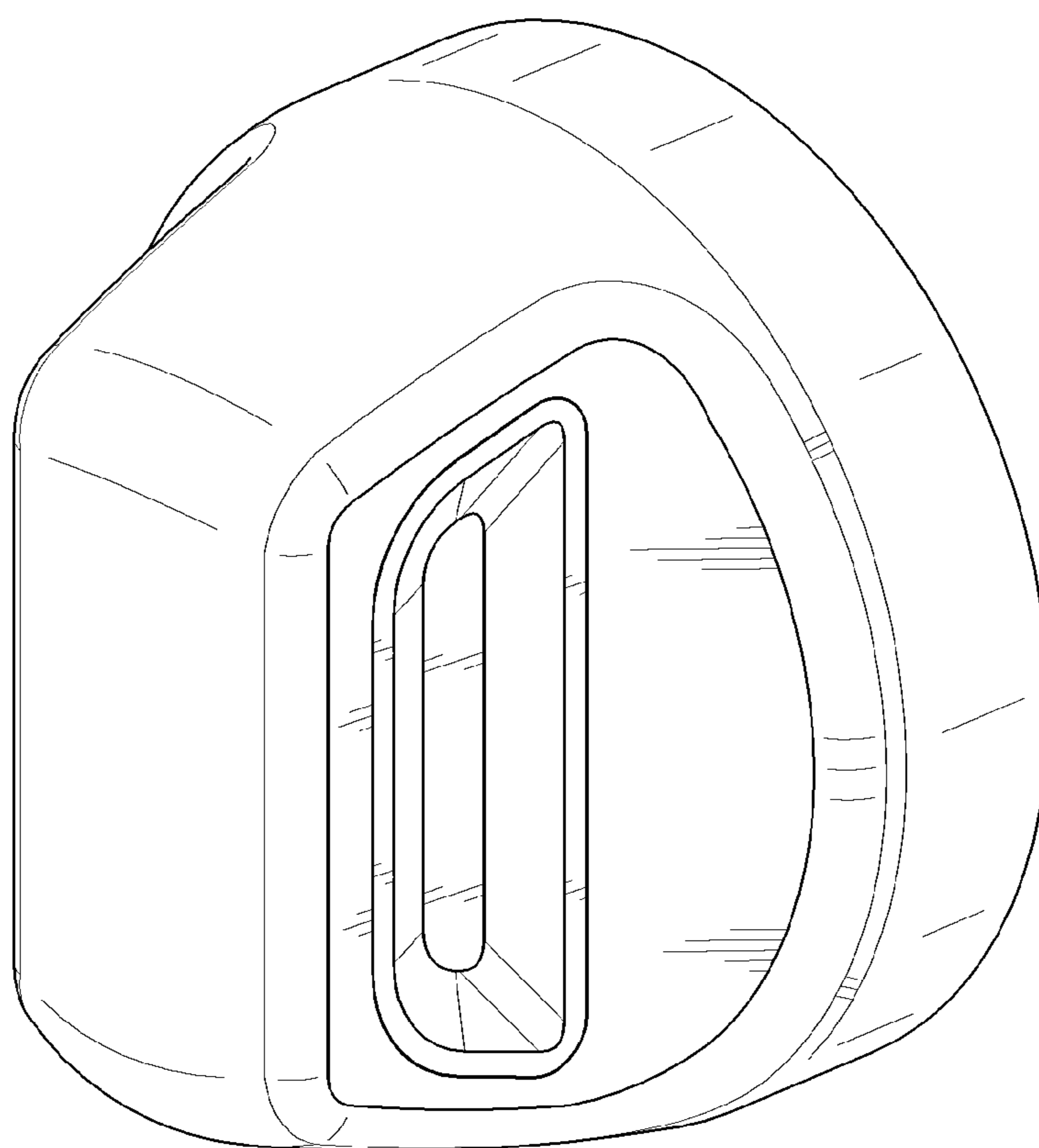


FIG. 2

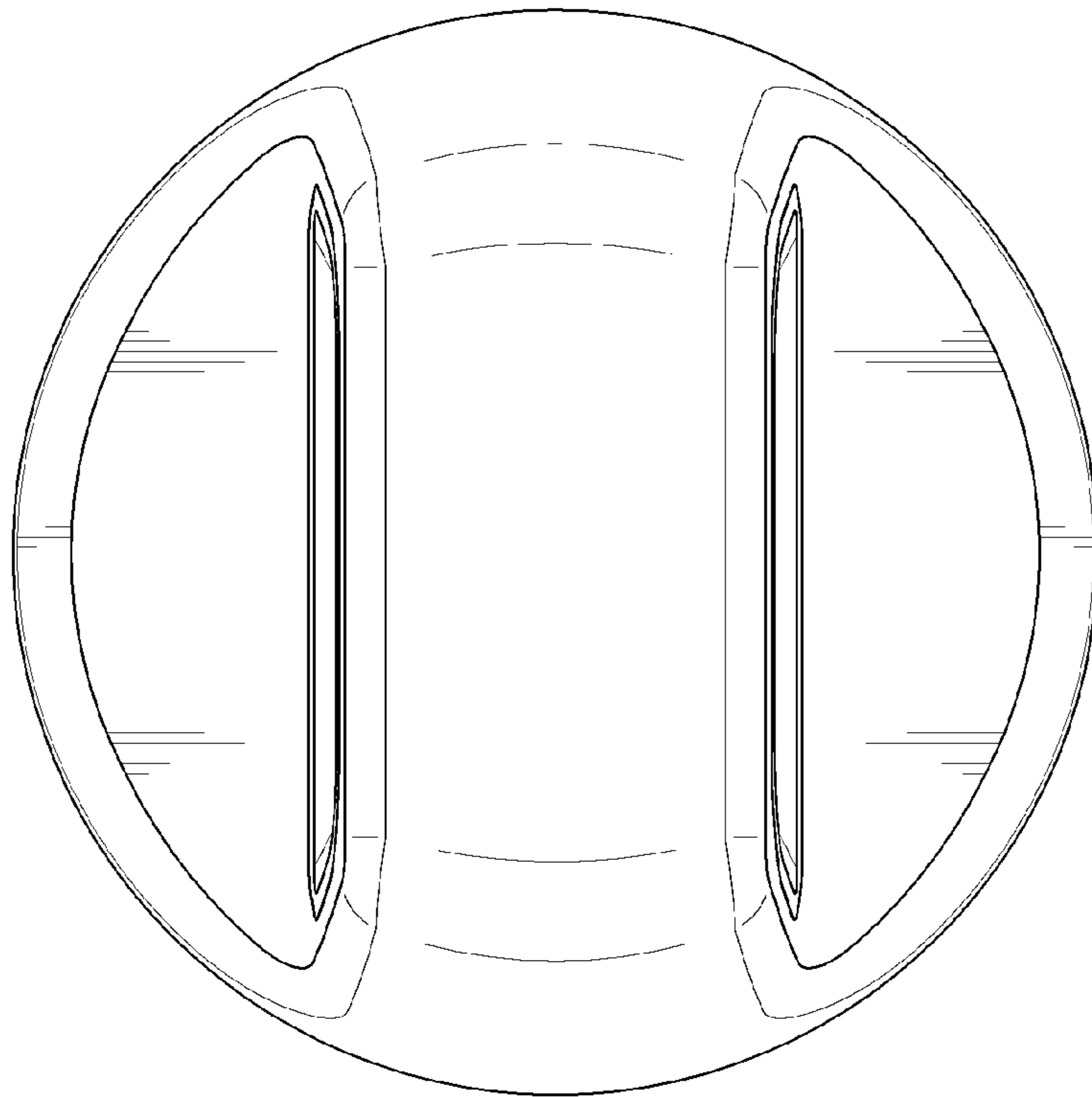


FIG. 3

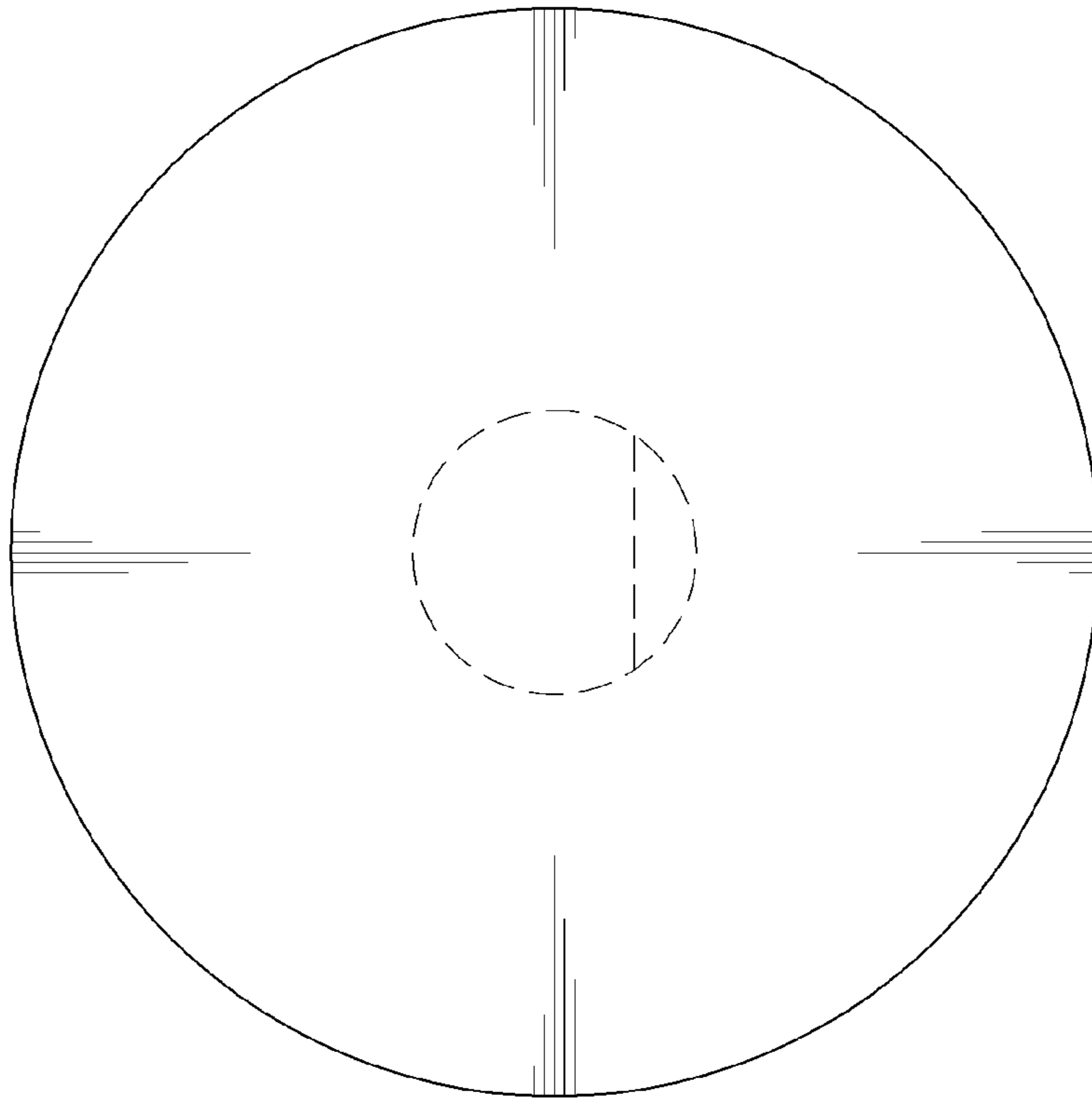


FIG. 4

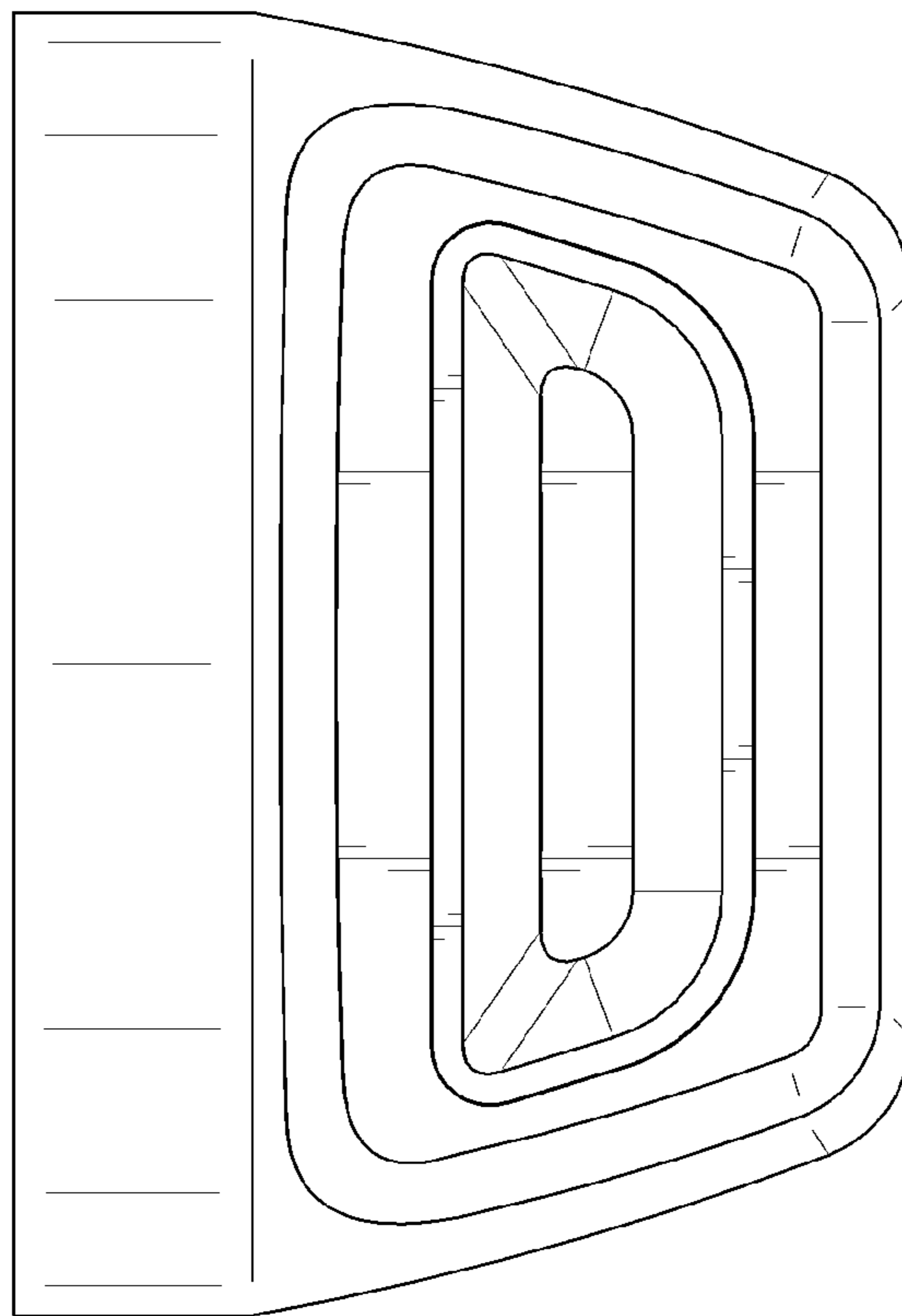


FIG. 5

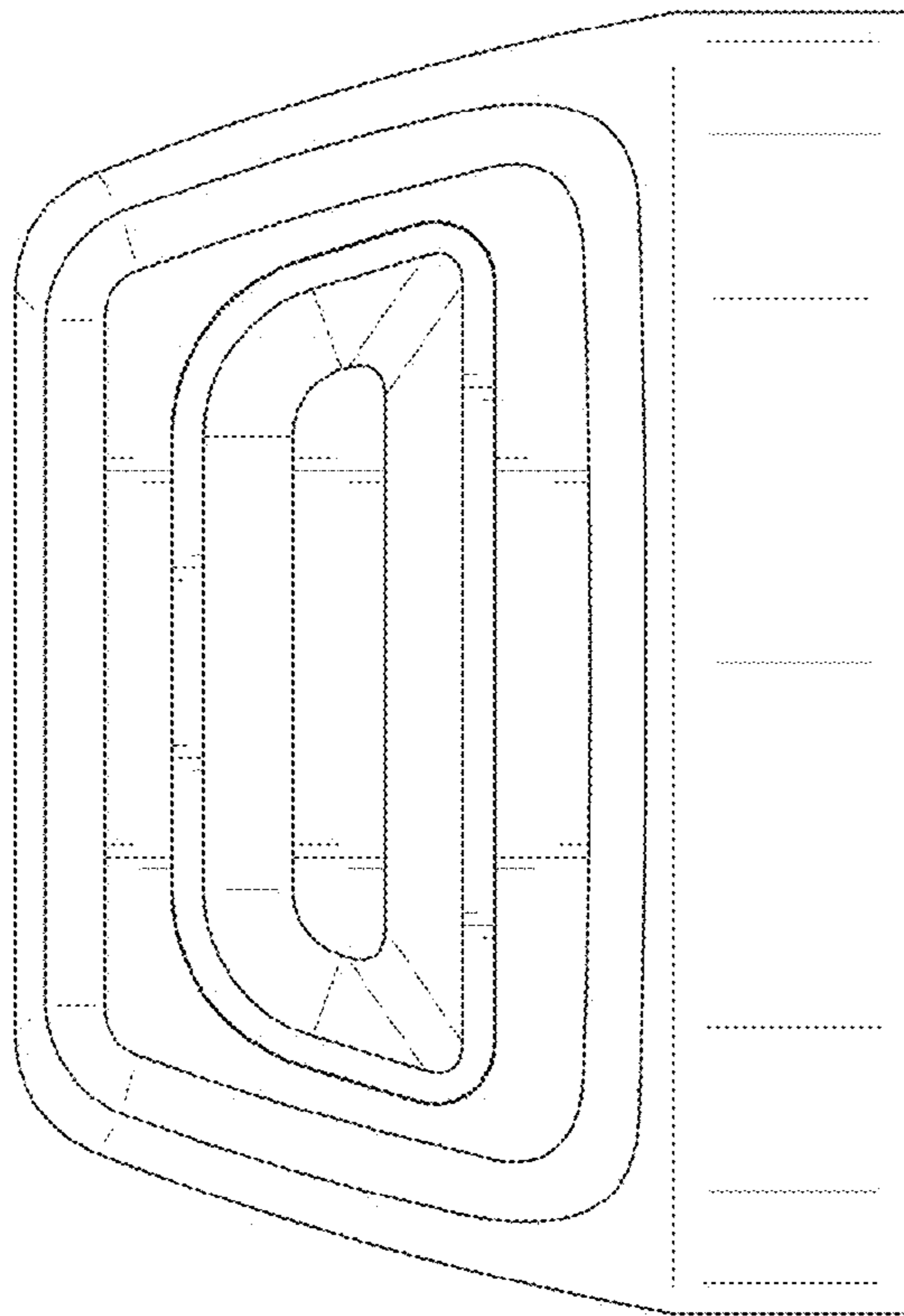


FIG. 6

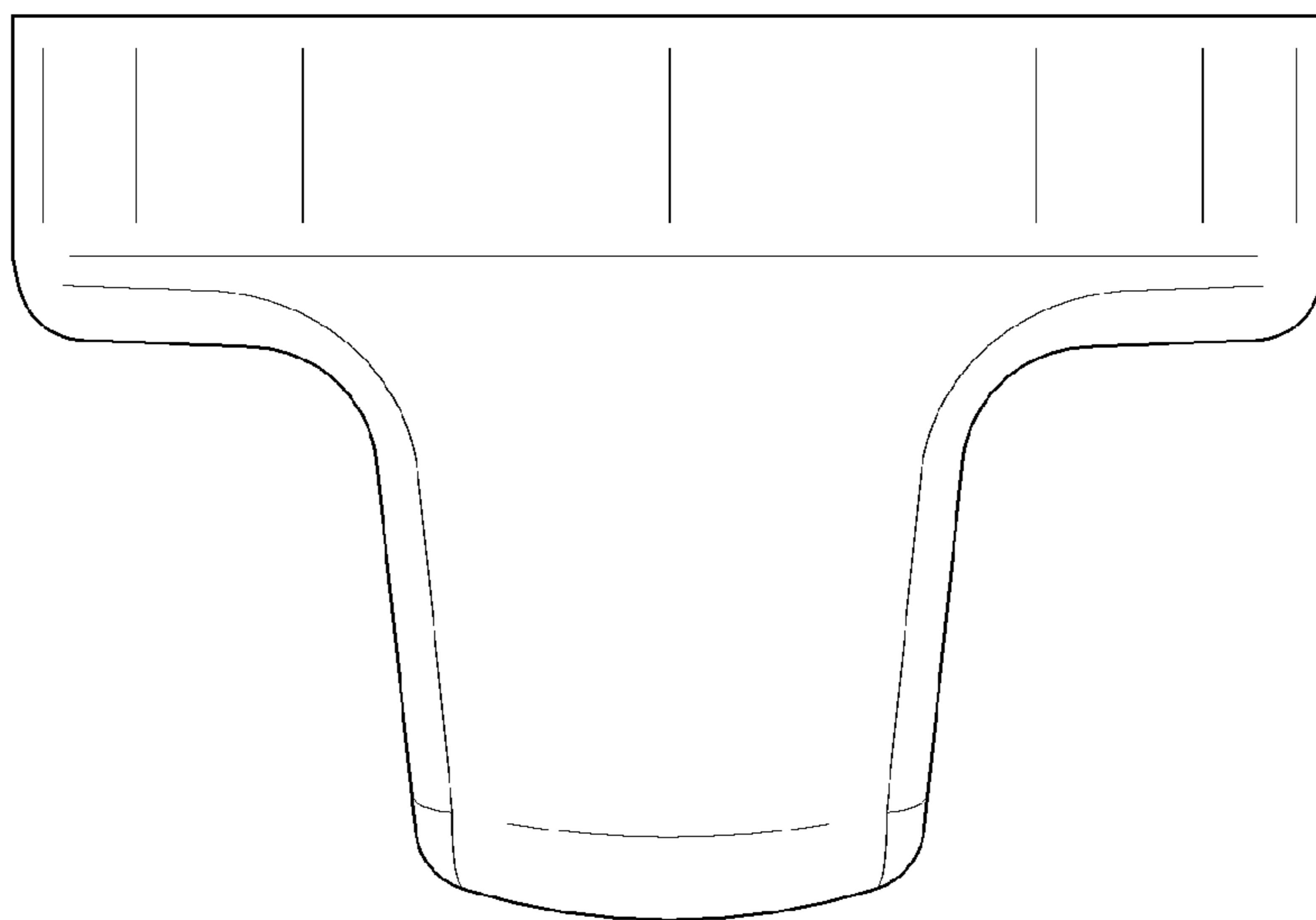


FIG. 7

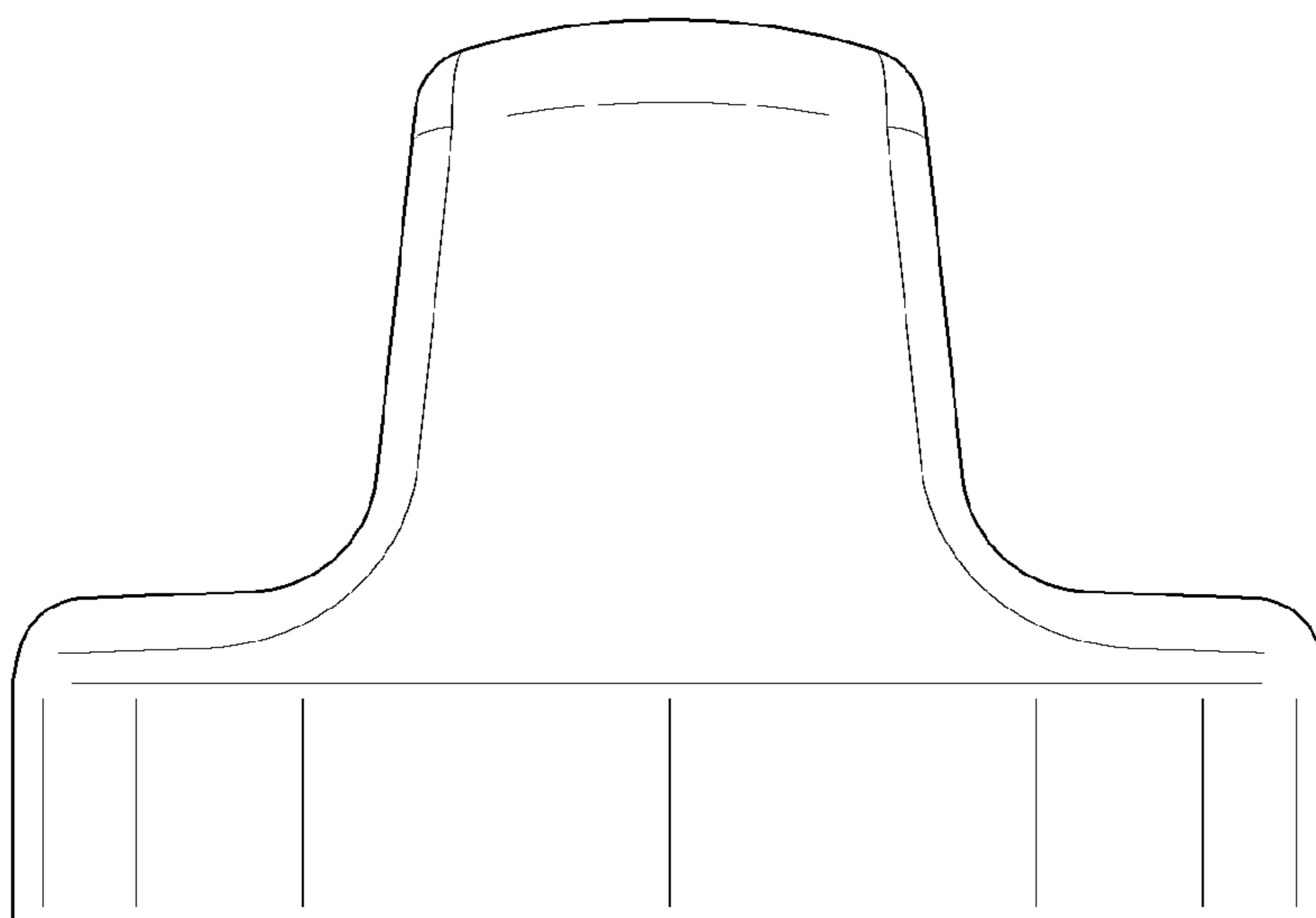


FIG. 8

