



US00D710671S

(12) **United States Design Patent**
Gonzalez et al.

(10) **Patent No.:** **US D710,671 S**

(45) **Date of Patent:** **** Aug. 12, 2014**

(54) **SPOOL TOOL**

(71) Applicants: **Gino Gonzalez**, Santee, CA (US);
Robert Fogg, San Diego, CA (US)

(72) Inventors: **Gino Gonzalez**, Santee, CA (US);
Robert Fogg, San Diego, CA (US)

(73) Assignee: **Tricorne, LLC**, Santee, CA (US)

(**) Term: **14 Years**

(21) Appl. No.: **29/464,147**

(22) Filed: **Aug. 13, 2013**

(51) **LOC (10) Cl.** **08-05**

(52) **U.S. Cl.**
USPC **D8/105**; D8/358; D8/356

(58) **Field of Classification Search**
USPC D8/14, 16, 18, 19, 20, 26, 33, 34,
D8/38-43, 51, 52, 55, 57, 75, 81-87, 98,
D8/104-106, 354, 356, 358, 360.1;
7/158-166; 30/151, 359, 366; D3/24,
D3/25, 210
See application file for complete search history.

(56) **References Cited**

U.S. PATENT DOCUMENTS

D116,179 S *	8/1939	Yates	D8/17
D136,783 S *	12/1943	Le Veck	D8/358
D180,332 S *	5/1957	Lee Jackson	D8/358
D221,511 S *	8/1971	Dufault	D8/358
D235,091 S *	5/1975	Daenon	D8/104
D243,654 S *	3/1977	Burgoyne	D8/358
D259,244 S *	5/1981	Grecol, Jr.	D8/380

D266,479 S *	10/1982	Hayakawa	D8/17
D315,863 S *	4/1991	Shui-Mu	D8/380
D337,718 S *	7/1993	Donaldson	D8/358
D389,731 S *	1/1998	Forbis	D8/395
D459,199 S *	6/2002	Soroka	D8/360.1
D461,115 S *	8/2002	Vassioukevitch	D8/360.1
D517,902 S *	3/2006	Peterson	D8/358
D670,155 S *	11/2012	Krohmer et al.	D8/356
D692,288 S *	10/2013	Locklear	D8/98
2013/0333119 A1 *	12/2013	Maynard	7/163

* cited by examiner

Primary Examiner — Susan Bennett Hattan

Assistant Examiner — Janice Hallmark

(74) *Attorney, Agent, or Firm* — Coastal Patent Law Group, P.C.

(57) **CLAIM**

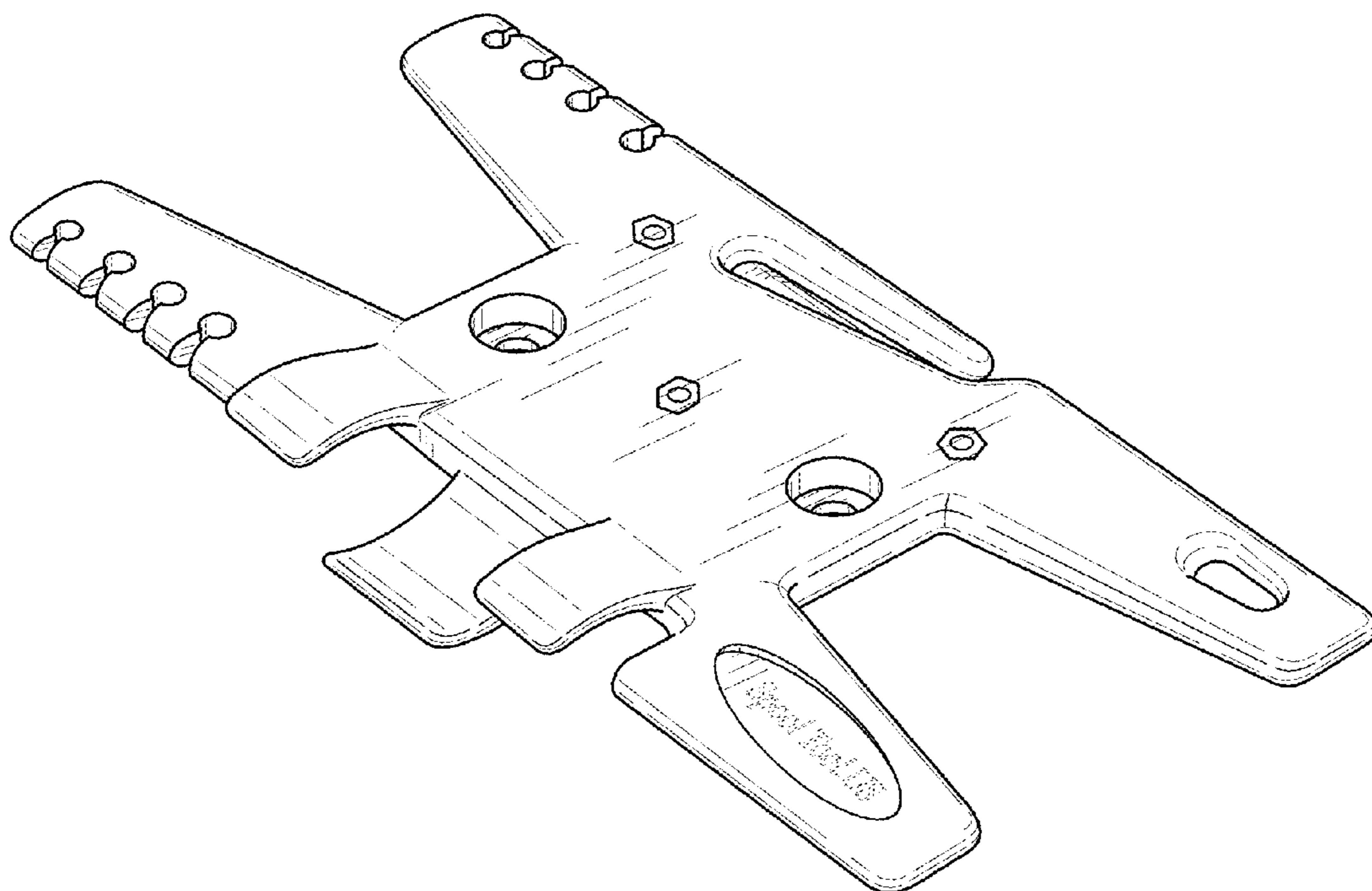
I claim the ornamental design for a spool tool, as shown and described.

DESCRIPTION

FIG. 1 shows a front perspective view of the spool tool showing a top, front, and left side thereof;
FIG. 2 shows a top view of the spool tool;
FIG. 3 shows bottom view of the spool tool;
FIG. 4 shows a left-side view of the spool tool;
FIG. 5 shows a right-side view of the spool tool;
FIG. 6 shows a front view of the spool tool; and,
FIG. 7 shows a rear view of the spool tool.

The broken lines in the drawings depict environmental subject matter only and form no part of the claimed design.

1 Claim, 5 Drawing Sheets



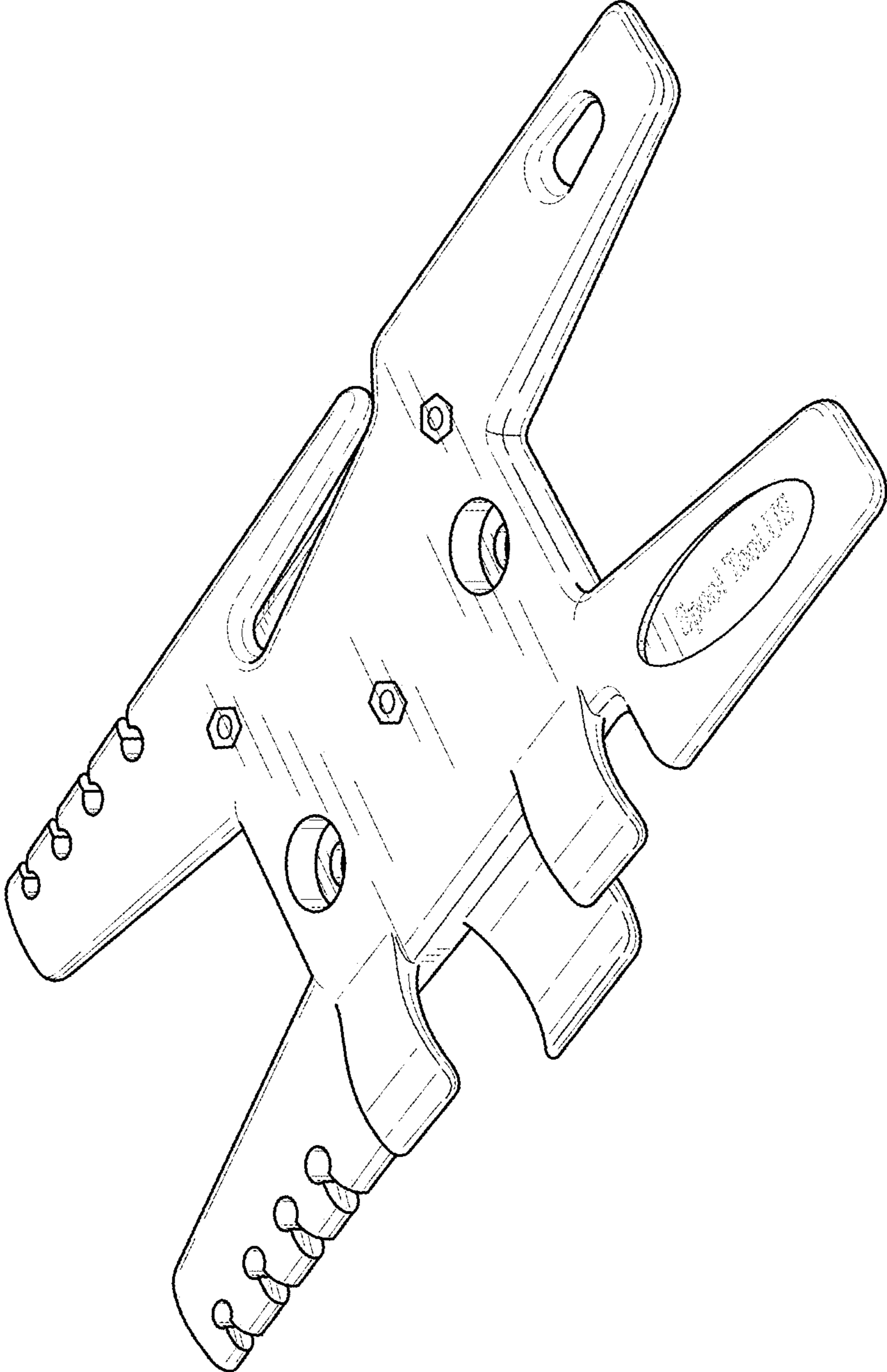


Figure 1

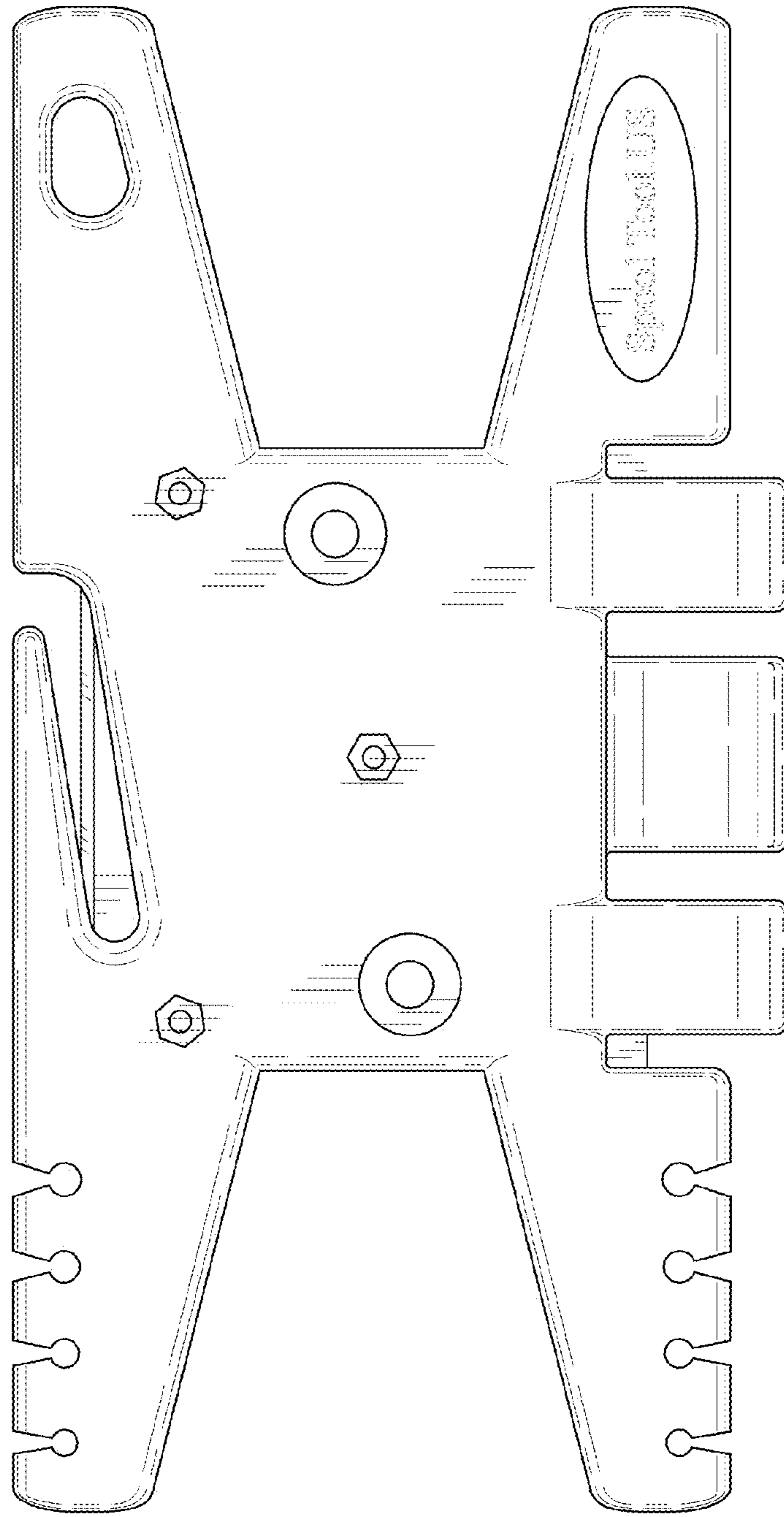


Figure 2

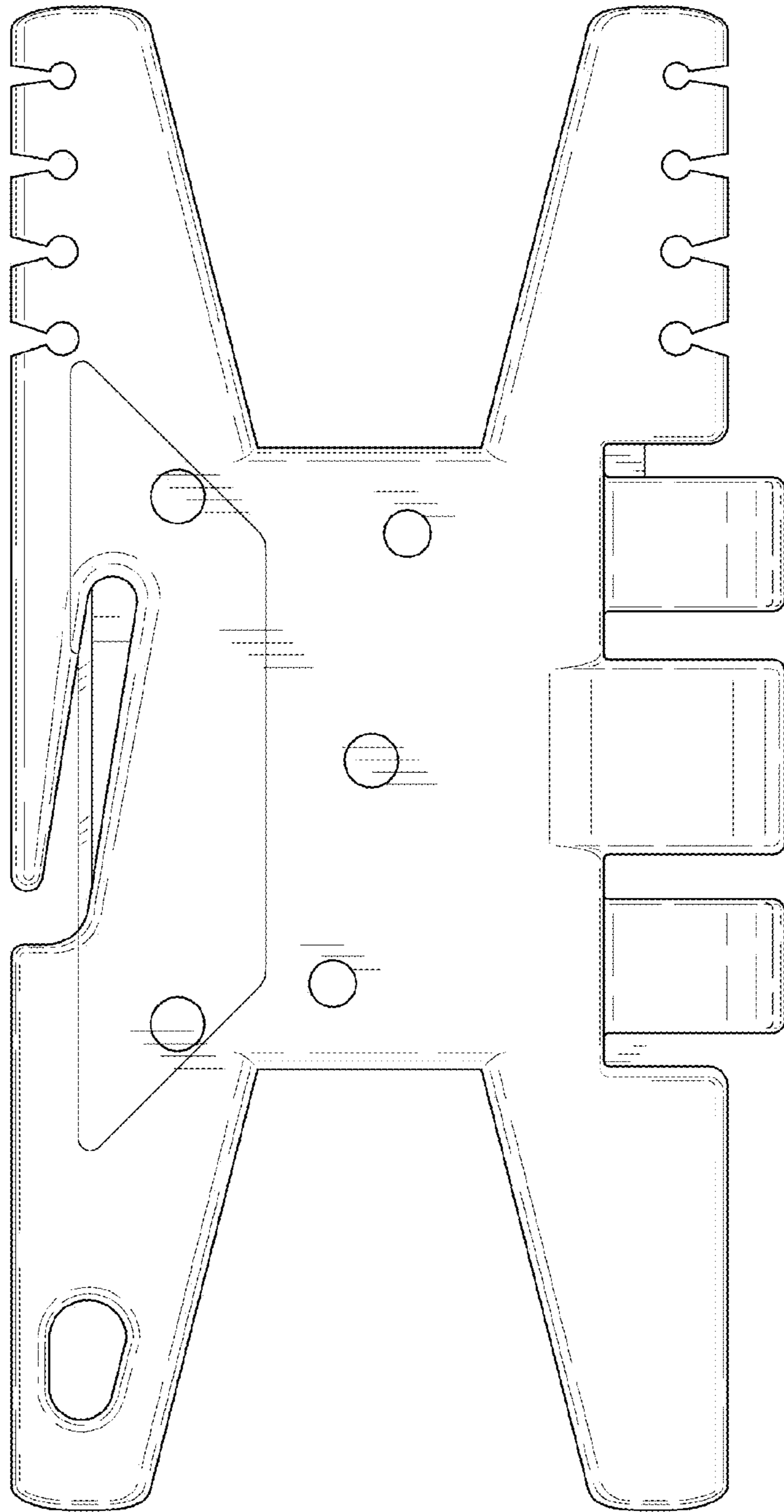


Figure 3

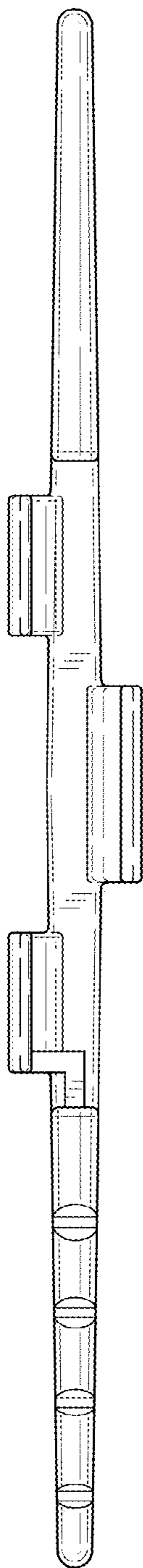


Figure 4

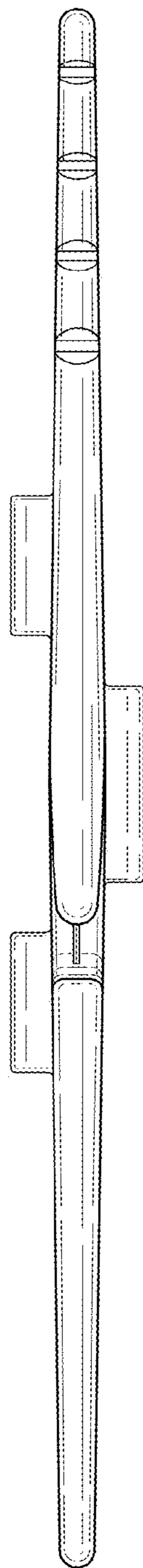


Figure 5

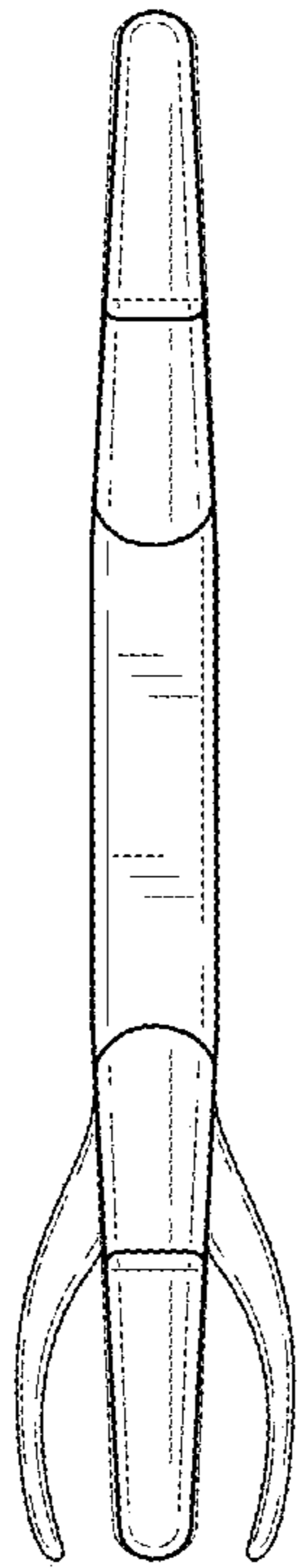


Figure 6

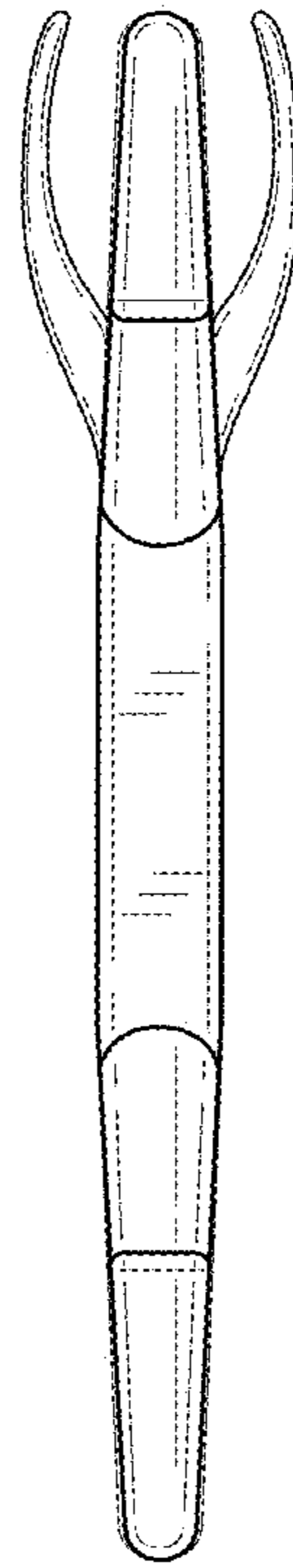


Figure 7