



US00D710670S

(12) **United States Design Patent**
Oakley

(10) **Patent No.:** **US D710,670 S**

(45) **Date of Patent:** **** Aug. 12, 2014**

(54) **MULTIPURPOSE HANDHELD TOOL**

(76) Inventor: **Dennis C. Oakley**, Waterford, NY (US)

(**) Term: **14 Years**

(21) Appl. No.: **29/431,210**

(22) Filed: **Sep. 5, 2012**

(51) **LOC (10) Cl.** **08-05**

(52) **U.S. Cl.**
USPC **D8/105**

(58) **Field of Classification Search**

USPC D8/14, 16, 18, 19, 20, 26, 33, 34,
D8/38-43, 51, 52, 55, 57, 75, 81-87, 98,
D8/104-106, 354, 356, 358, 360.1;
7/151-166; 30/151, 359, 366; D3/24,
D3/25, 207-208, 210, 228; D10/62;
362/119; 206/38, 232, 234; 81/437,
81/440

See application file for complete search history.

(56) **References Cited**

U.S. PATENT DOCUMENTS

1,953,690 A * 4/1934 Samways 7/167
D297,210 S * 8/1988 Liversidge D8/98

(Continued)

OTHER PUBLICATIONS

“Multipurpose Handheld Tool and Associated Method” Specification, Drawings and Prosecution History, of Design U.S. Appl. No. 13/611,815, filed Sep. 12, 2012, by Dennis C. Oakley.

Primary Examiner — Susan Bennett Hattan

Assistant Examiner — Janice Hallmark

(74) *Attorney, Agent, or Firm* — Onello & Mello, LLP

(57) **CLAIM**

An ornamental design for a multipurpose handheld tool, as shown and described.

DESCRIPTION

FIG. 1 is a front perspective view of a multipurpose tool showing the tools in a retracted position, in accordance with the present invention;

FIG. 2 is a back perspective view of a multipurpose tool showing the tools in a retracted position, in accordance with the present invention;

FIG. 3 is a front plan view of a multipurpose tool showing the tools in a retracted position, in accordance with the present invention;

FIG. 4 is a back plan view of a multipurpose tool showing the tools in a retracted position, in accordance with the present invention;

FIG. 5 is a first side view of a multipurpose tool showing the tools in a retracted position, in accordance with the present invention;

FIG. 6 is a second side view of a multipurpose tool showing the tools in a retracted position, in accordance with the present invention;

FIG. 7 is a top side view of a multipurpose tool showing the tools in a retracted position, in accordance with the present invention;

FIG. 8 is a bottom side view of a multipurpose tool showing the tools in a retracted position, in accordance with the present invention;

FIG. 9 is a front perspective view of a multipurpose tool showing the tools in a deployed position, in accordance with the present invention;

FIG. 10 is a back perspective view of a multipurpose tool showing the tools in a deployed position, in accordance with the present invention;

FIG. 11 is a front plan view of a multipurpose tool showing the tools in a deployed position, in accordance with the present invention;

FIG. 12 is a back plan view of a multipurpose tool showing the tools in a deployed position, in accordance with the present invention;

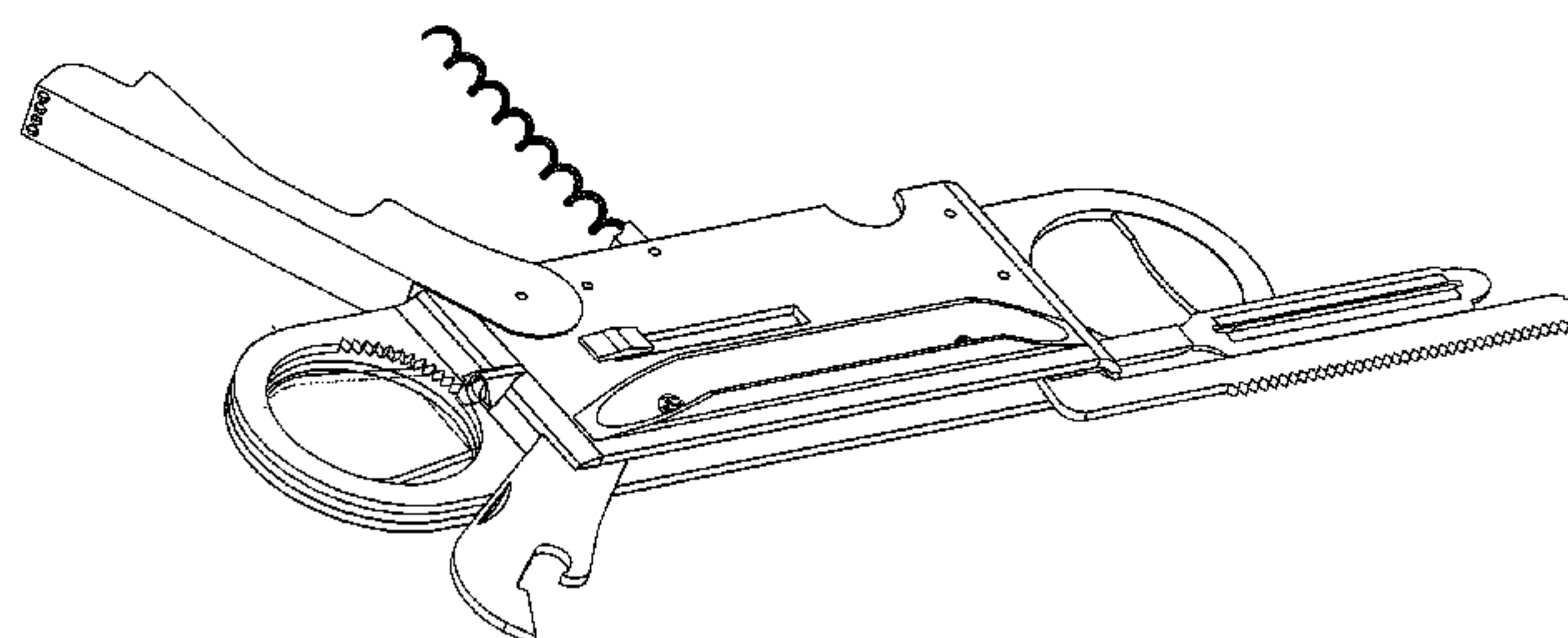
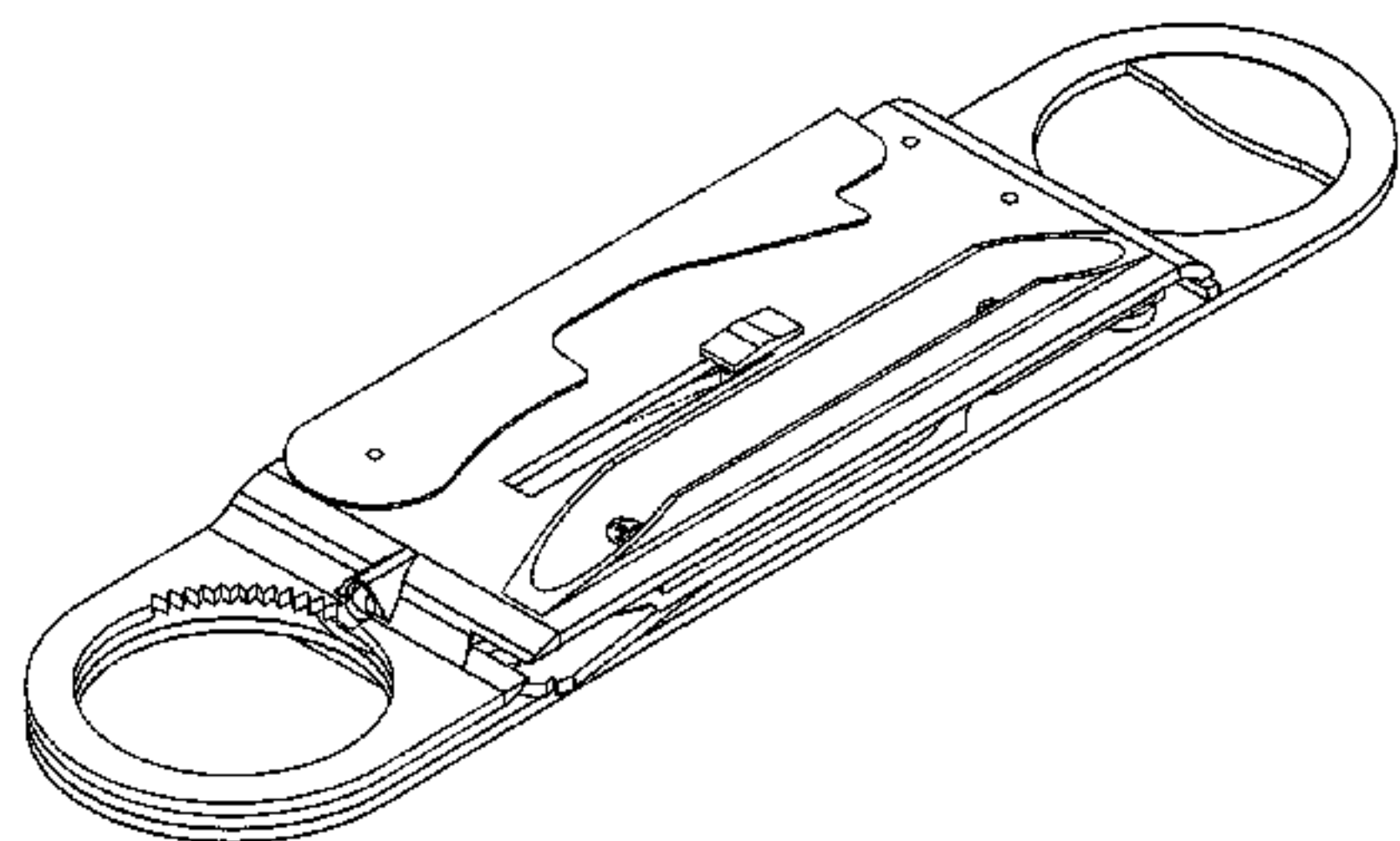
FIG. 13 is a first side view of a multipurpose tool showing the tools in a deployed position, in accordance with the present invention;

FIG. 14 is a second side view of a multipurpose tool showing the tools in a deployed position, in accordance with the present invention;

FIG. 15 is a top side view of a multipurpose tool showing the tools in a deployed position, in accordance with the present invention; and,

FIG. 16 is a bottom side view of a multipurpose tool showing the tools in a deployed position, in accordance with the present invention.

1 Claim, 6 Drawing Sheets



(56)

References Cited

U.S. PATENT DOCUMENTS

5,038,644 A * 8/1991 Delsack 81/177.3
5,946,753 A * 9/1999 Roberts et al. 7/156
D420,265 S * 2/2000 Pierce D8/40
D488,689 S * 4/2004 Smith, IV D8/33
D501,381 S * 2/2005 Kelleghan D8/18

D624,378 S * 9/2010 Wysopal D8/40
D637,463 S * 5/2011 Silvers et al. D8/18
8,015,642 B1 9/2011 Oakley
D649,001 S * 11/2011 Still D8/105
D654,770 S * 2/2012 Frank et al. D8/40
D657,651 S * 4/2012 Rubin et al. D8/105
D688,542 S * 8/2013 Wysoczynski et al. D8/18

* cited by examiner

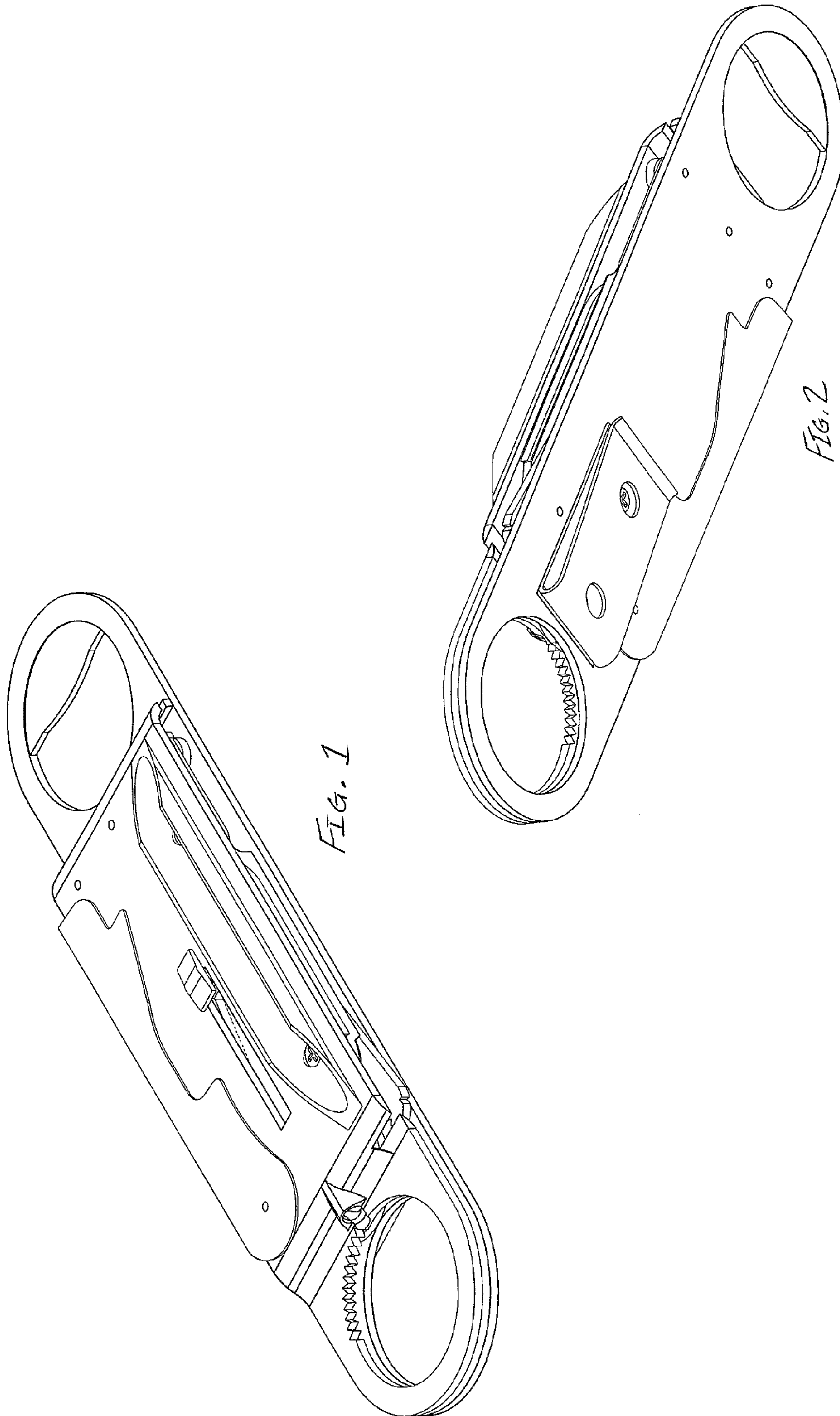


FIG. 1

FIG. 2

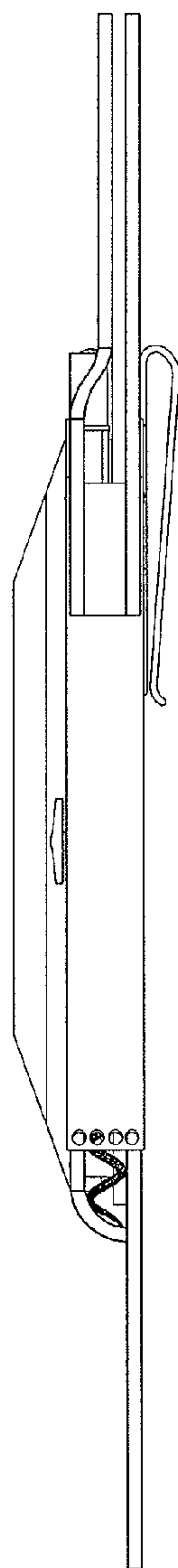


FIG. 5

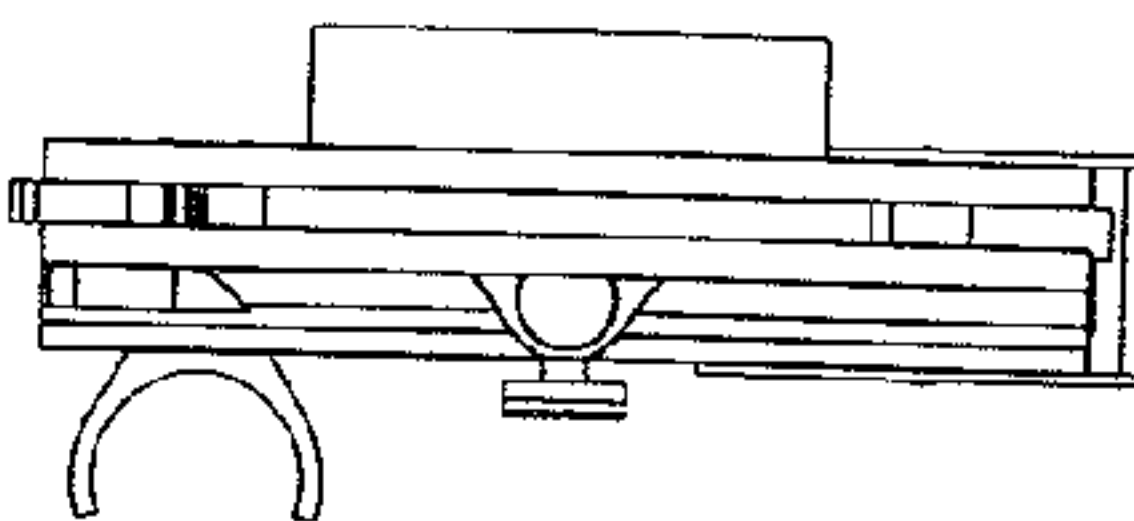


FIG. 8

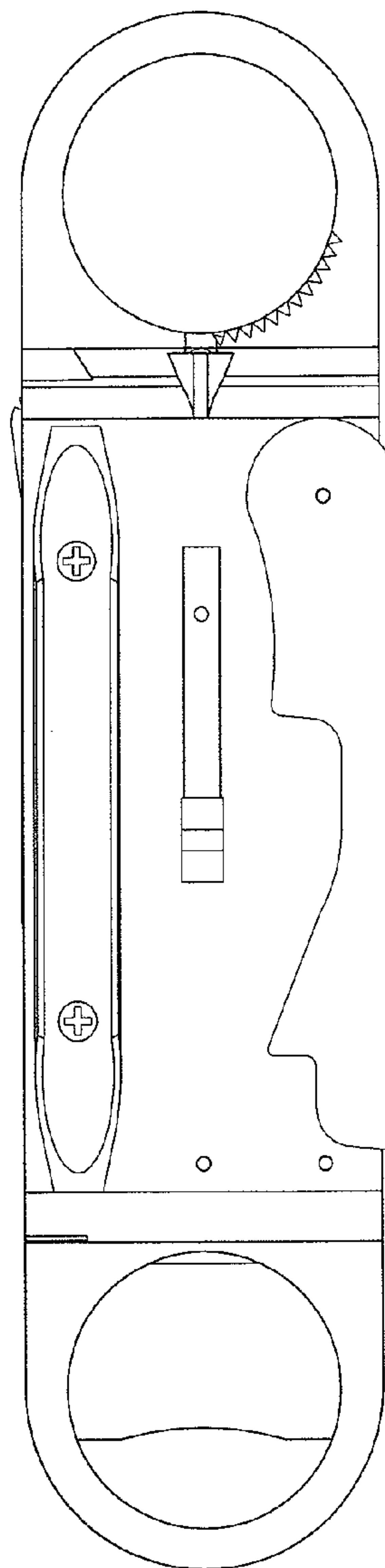


FIG. 3

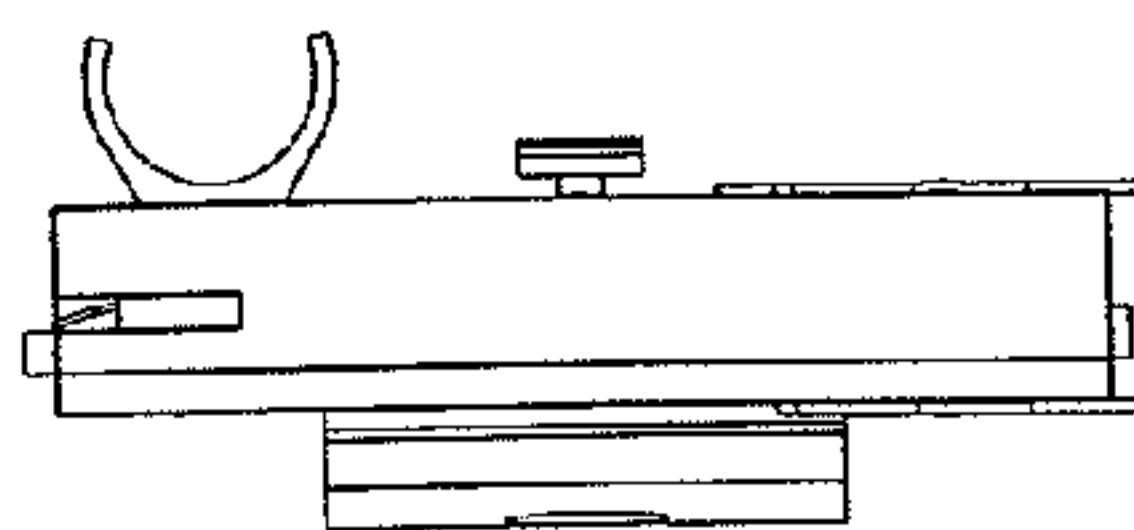


FIG. 7

