



US00D710664S

(12) **United States Design Patent**
Licciardello, Jr.

(10) **Patent No.:** **US D710,664 S**
(45) **Date of Patent:** **** Aug. 12, 2014**

(54) **SHOVEL BLADE**

(71) Applicant: **Enrico Licciardello, Jr.**, Woolwich, NJ
(US)

(72) Inventor: **Enrico Licciardello, Jr.**, Woolwich, NJ
(US)

(**) Term: **14 Years**

(21) Appl. No.: **29/457,640**

(22) Filed: **Jun. 12, 2013**

(51) **LOC (10) Cl.** **08-01**

(52) **U.S. Cl.**
USPC **D8/10**

(58) **Field of Classification Search**
CPC A01B 1/00; A01B 1/02; A01B 1/026;
A01B 1/028; A01B 1/04
USPC D8/1, 10, 107; 294/49, 53.5, 54.5, 51,
294/58, 56, 57, 55.5; 56/400.1
See application file for complete search history.

(56) **References Cited**

U.S. PATENT DOCUMENTS

D300,199 S * 3/1989 Ipema D8/10
5,901,996 A * 5/1999 Churchman et al. 294/60

6,464,273 B2 * 10/2002 Grayson et al. 294/60
7,562,920 B2 * 7/2009 Paton 294/59
D601,866 S * 10/2009 Carroll D8/10

* cited by examiner

Primary Examiner — Sheryl Lane

(74) *Attorney, Agent, or Firm* — Daniel Boudwin; Global
Intellectual Property Agency LLC

(57) **CLAIM**

The ornamental design for a shovel blade, as shown and
described.

DESCRIPTION

FIG. 1 shows an underside perspective view of the shovel
blade.

FIG. 2 shows a top view of the shove blade.

FIG. 3 shows a bottom view of the shovel blade.

FIG. 4 shows a first side view of the shovel blade.

FIG. 5 shows a second side view of the shovel blade.

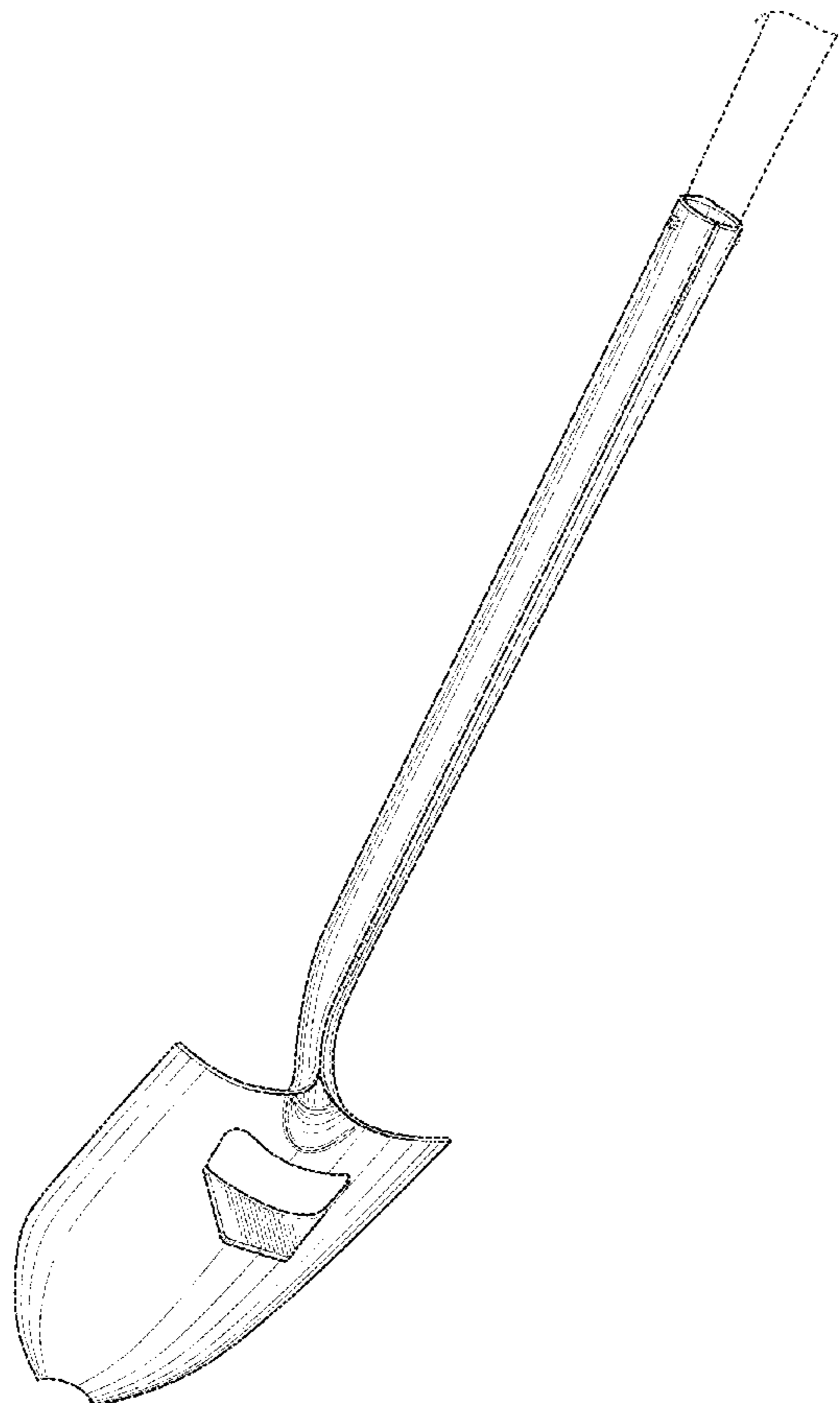
FIG. 6 shows a first end view of the shovel blade.

FIG. 7 shows a second end view of the shovel blade; and,

FIG. 8 shows a perspective underside view of the shovel blade
attached to a shovel handle.

The broken lines represent environment and forms no part of
the claimed design.

1 Claim, 7 Drawing Sheets



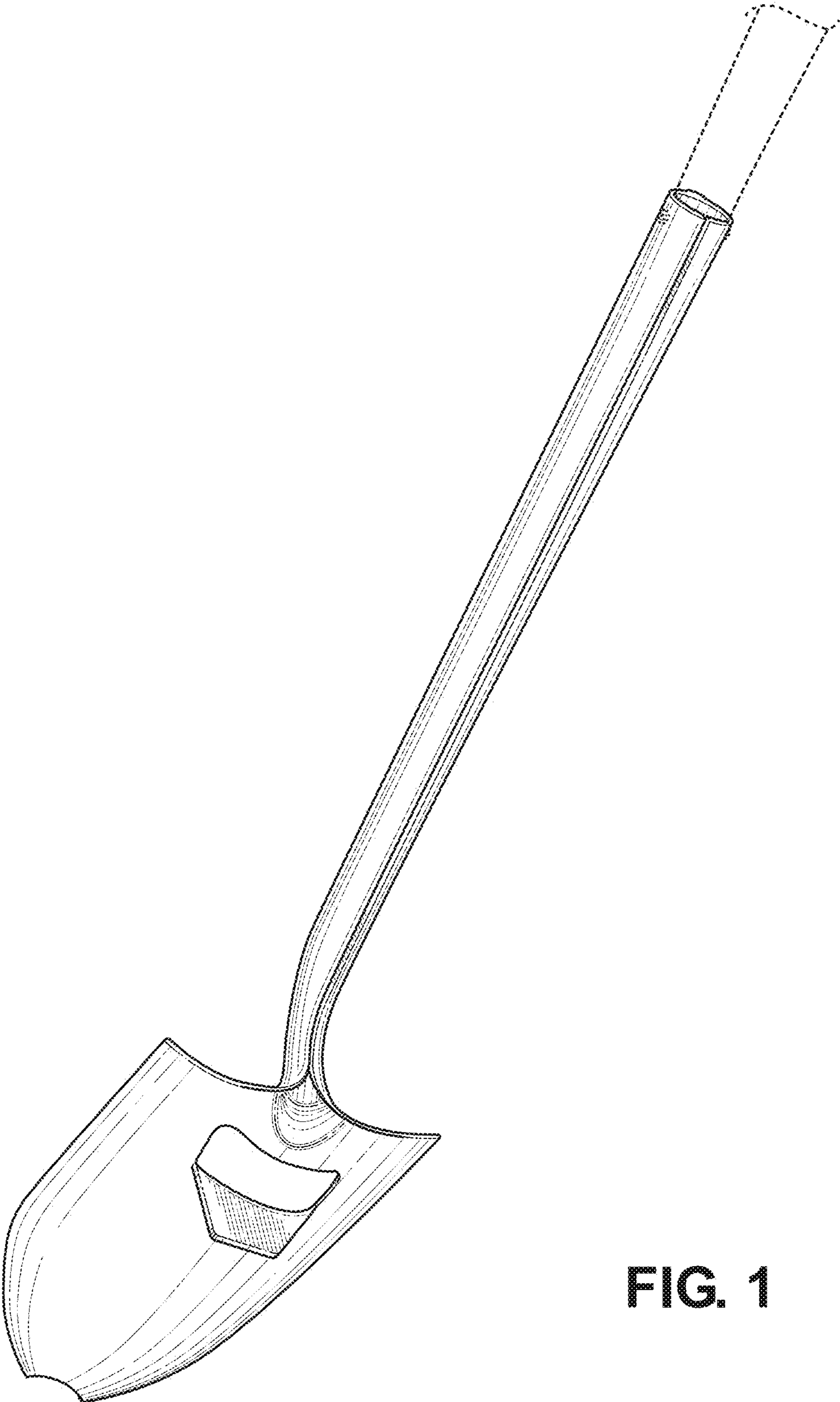


FIG. 1

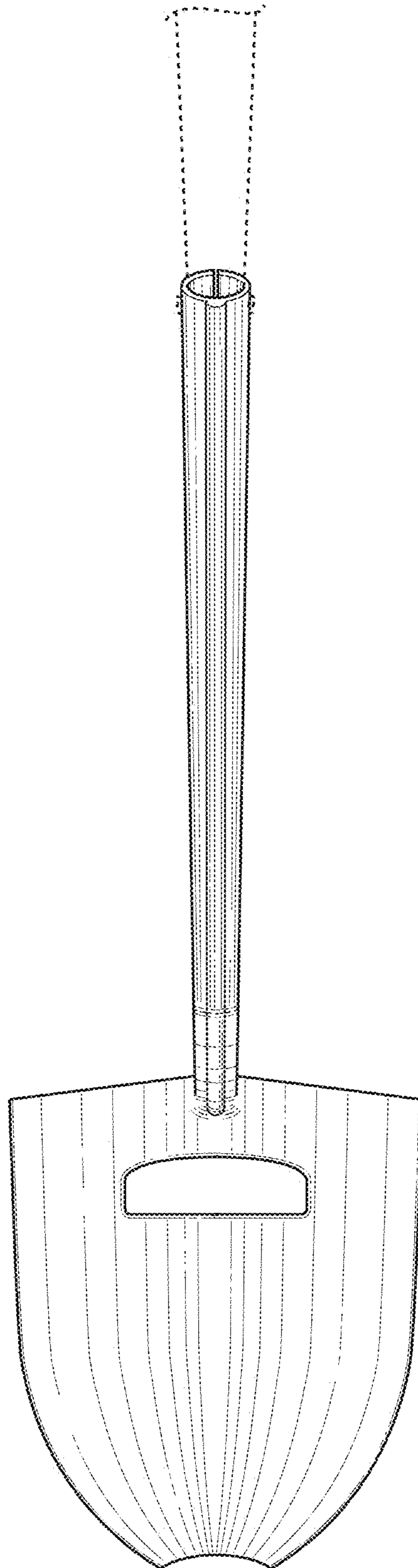


FIG. 2

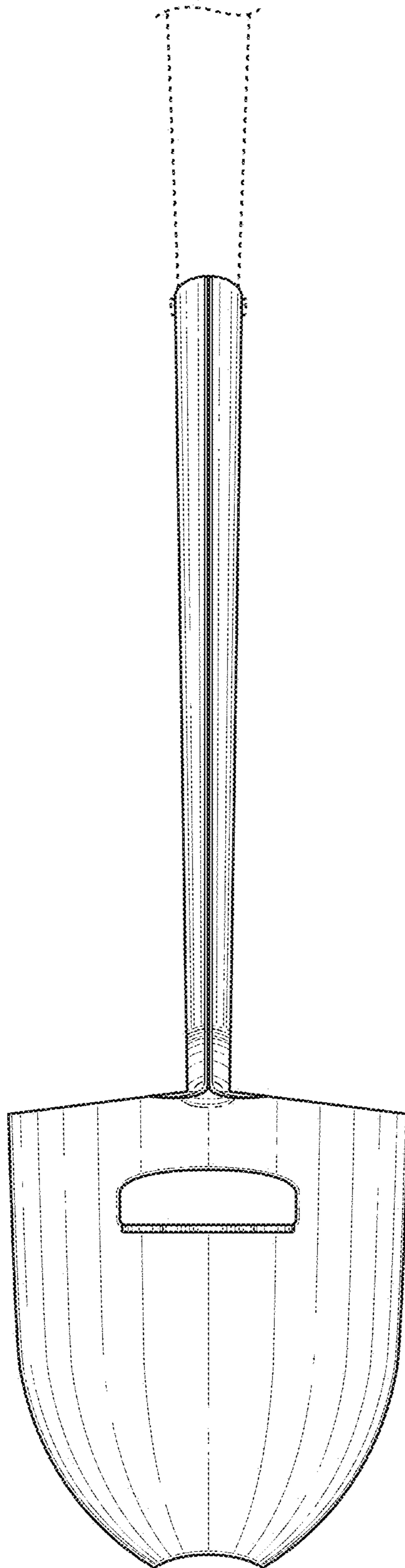


FIG. 3

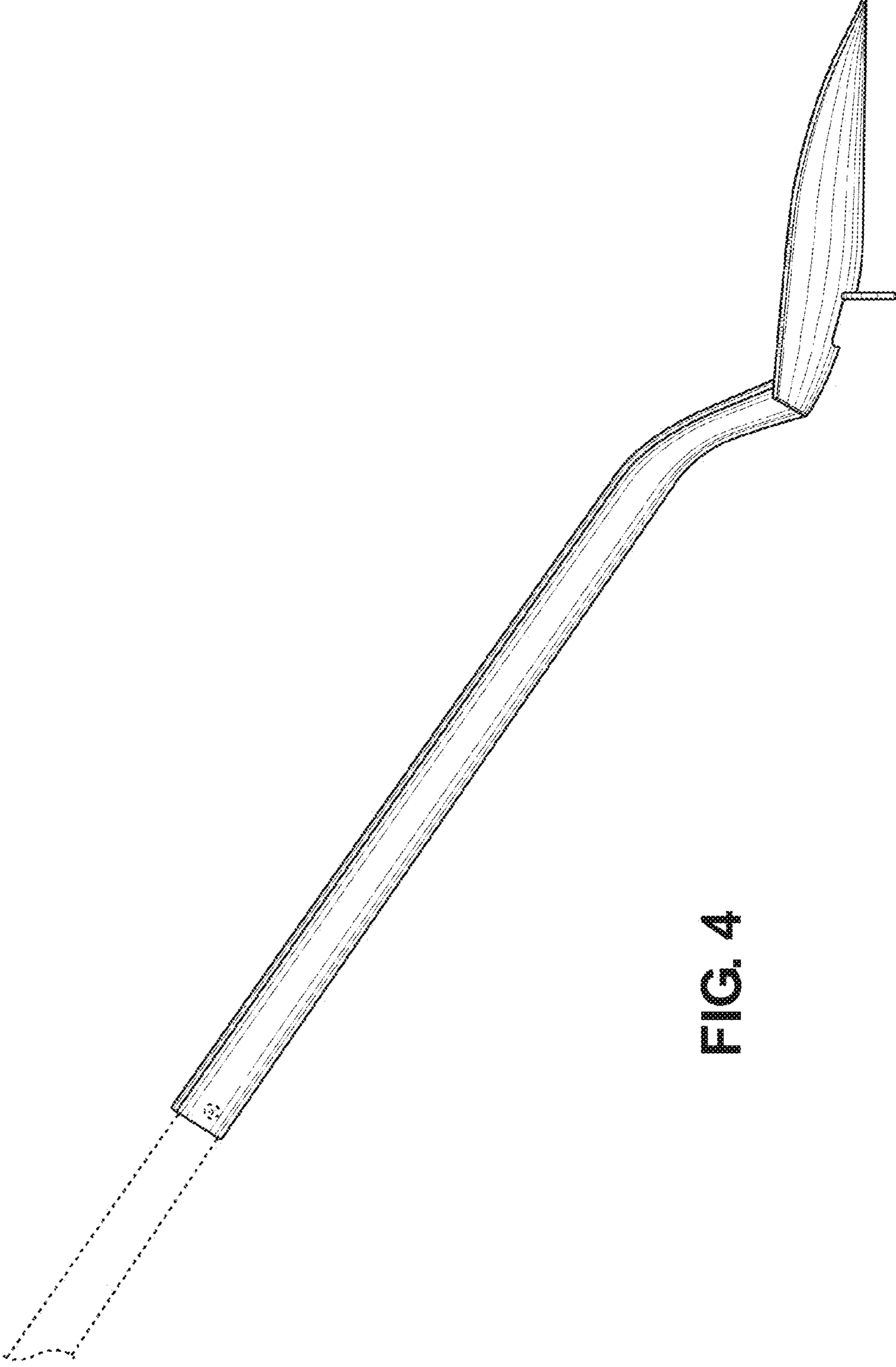


FIG. 4

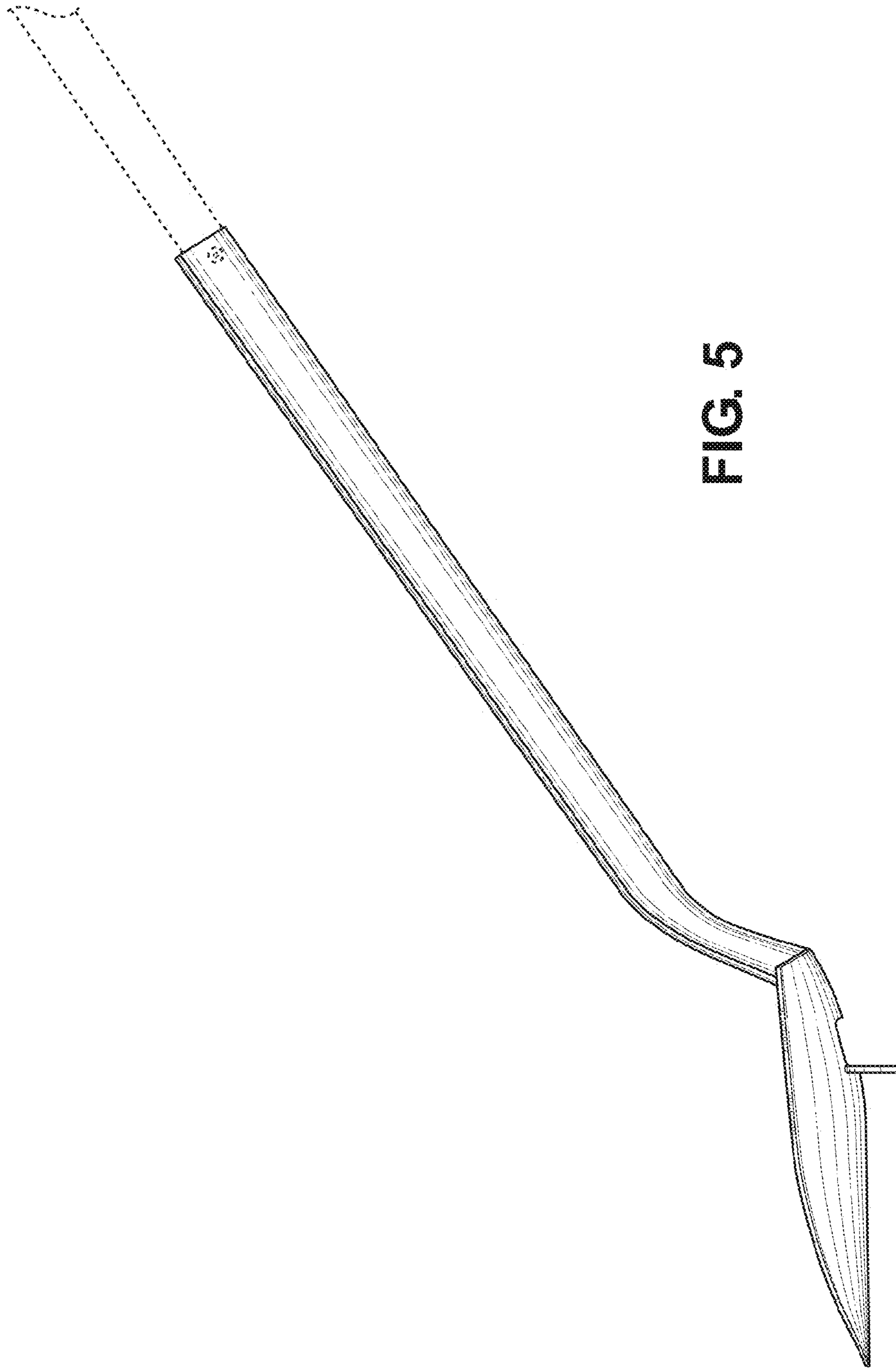


FIG. 5

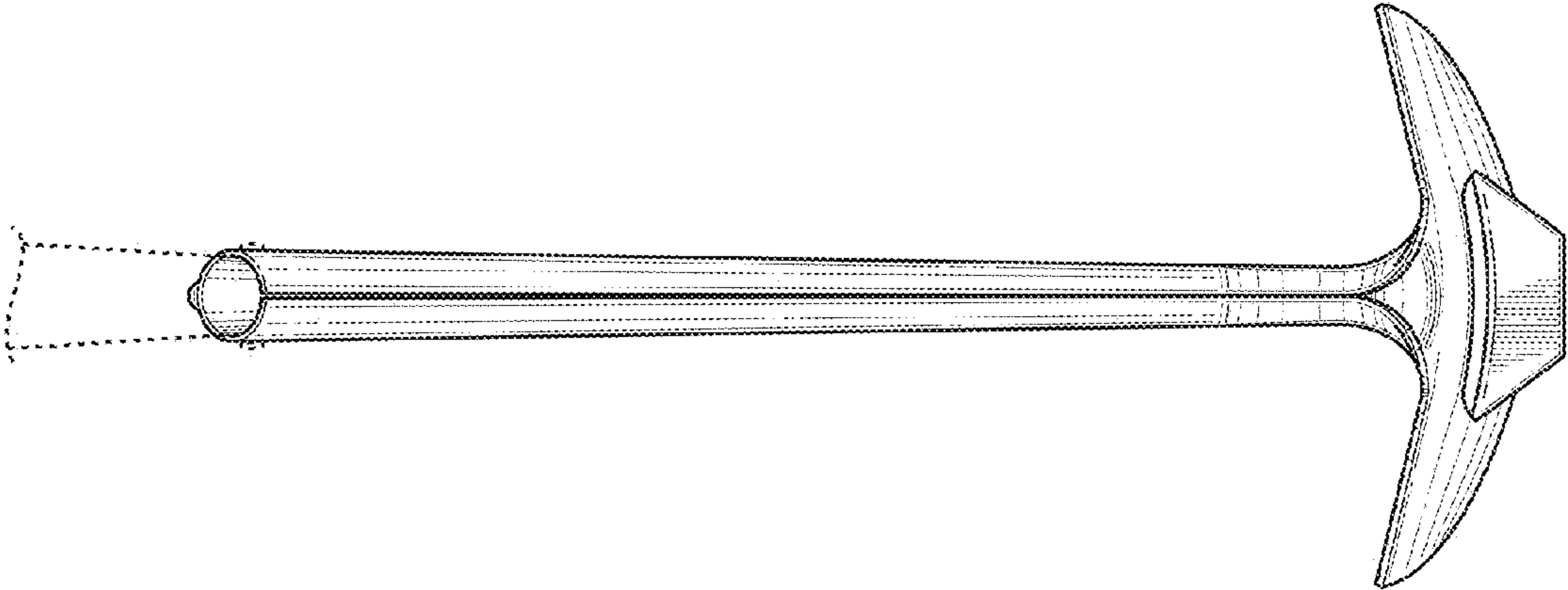


FIG. 7

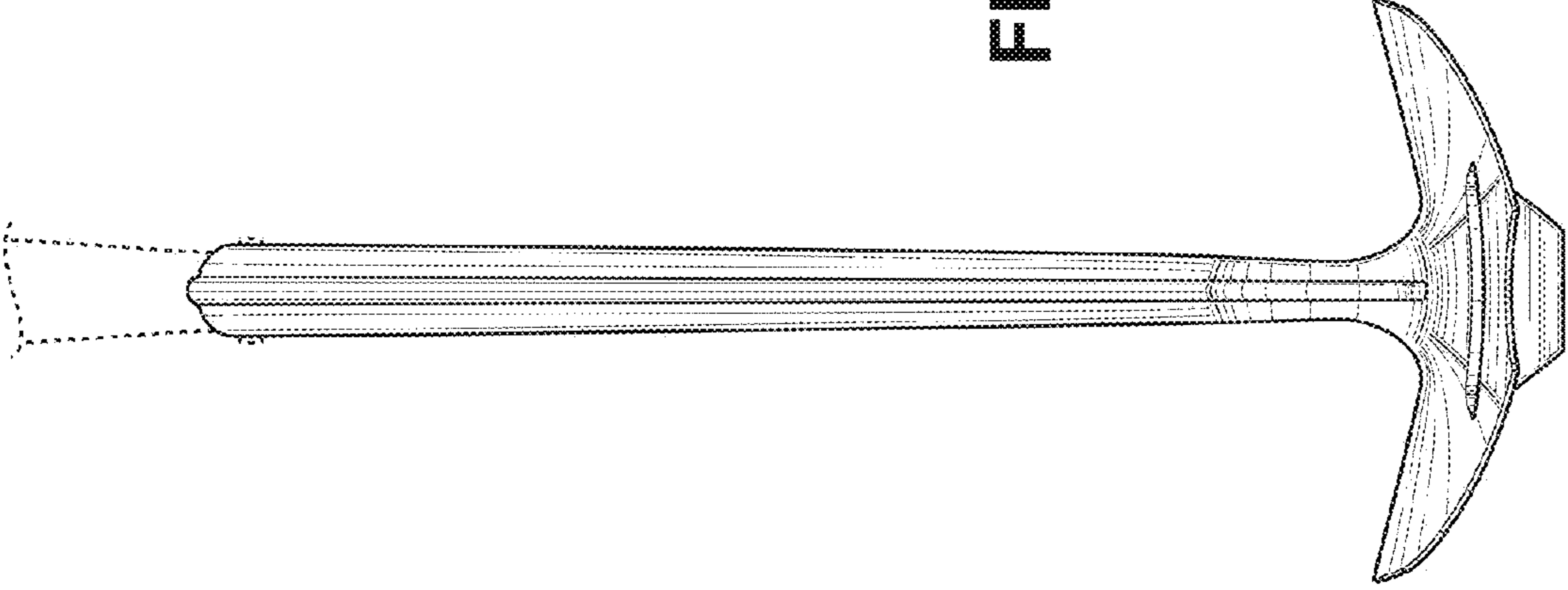


FIG. 6

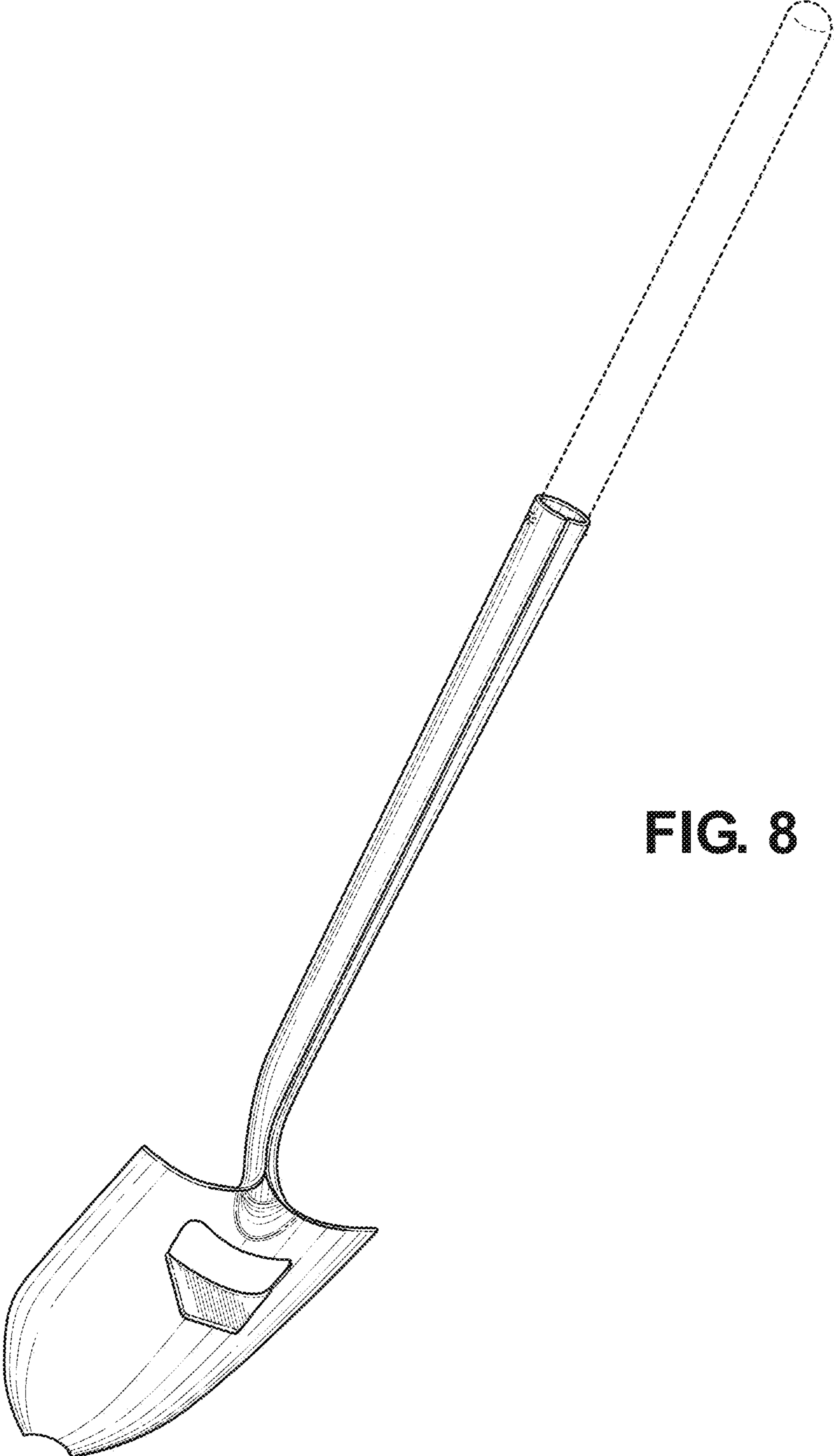


FIG. 8