



US00D710663S

(12) **United States Design Patent**  
**Morabit**

(10) **Patent No.:** **US D710,663 S**

(45) **Date of Patent:** **\*\* Aug. 12, 2014**

(54) **GLIDER ATTACHMENT FOR TRIMMER HEAD**

(71) Applicant: **Aero-Flex Technologies, Inc.**, Rock Hill, SC (US)

(72) Inventor: **Vincent D. Morabit**, Rock Hill, SC (US)

(73) Assignee: **Aero-Flex Technologies, Inc.**, Rock Hill, SC (US)

(\*\*) Term: **14 Years**

(21) Appl. No.: **29/473,145**

(22) Filed: **Nov. 19, 2013**

(51) **LOC (10) Cl.** ..... **08-01**

(52) **U.S. Cl.**  
USPC ..... **D8/8**

(58) **Field of Classification Search**  
CPC ..... A01D 34/416; A01D 34/4166; A01D 34/4167; A01D 34/84; A01D 34/90  
USPC ..... D8/7-9; D15/17, 1; 30/276, 208-210, 30/347, 228, 382-383; 56/12.7, 233-234  
See application file for complete search history.

(56) **References Cited**

U.S. PATENT DOCUMENTS

D346,727 S *	5/1994	Eriksson	.....	D8/8
D362,600 S *	9/1995	Kiyooka et al.	.....	D8/8
D376,741 S *	12/1996	Sadlowski, Sr.	.....	D8/8
D460,904 S *	7/2002	Riley et al.	.....	D8/8
D465,975 S *	11/2002	Iacona	.....	D8/8
D479,961 S *	9/2003	Iacona	.....	D8/8

D482,581 S *	11/2003	Nystrom	.....	D8/8
D482,941 S *	12/2003	Nystrom	.....	D8/8
D502,368 S *	3/2005	Nystrom et al.	.....	D8/8
D560,107 S *	1/2008	Grey	.....	D8/8
D584,581 S *	1/2009	Bradford	.....	D8/8
D597,804 S *	8/2009	Alliss	.....	D8/8
D598,254 S *	8/2009	Alliss	.....	D8/8
D598,255 S *	8/2009	Alliss	.....	D8/8
D630,068 S *	1/2011	Proulx	.....	D8/8
7,882,642 B2 *	2/2011	Proulx	.....	30/276
D653,920 S *	2/2012	Cigarini	.....	D8/8
8,510,960 B2 *	8/2013	Pfaltzgraff et al.	.....	30/276
8,567,073 B2 *	10/2013	Proulx	.....	30/276

\* cited by examiner

*Primary Examiner* — Sheryl Lane

(74) *Attorney, Agent, or Firm* — Nixon & Vanderhye P.C.

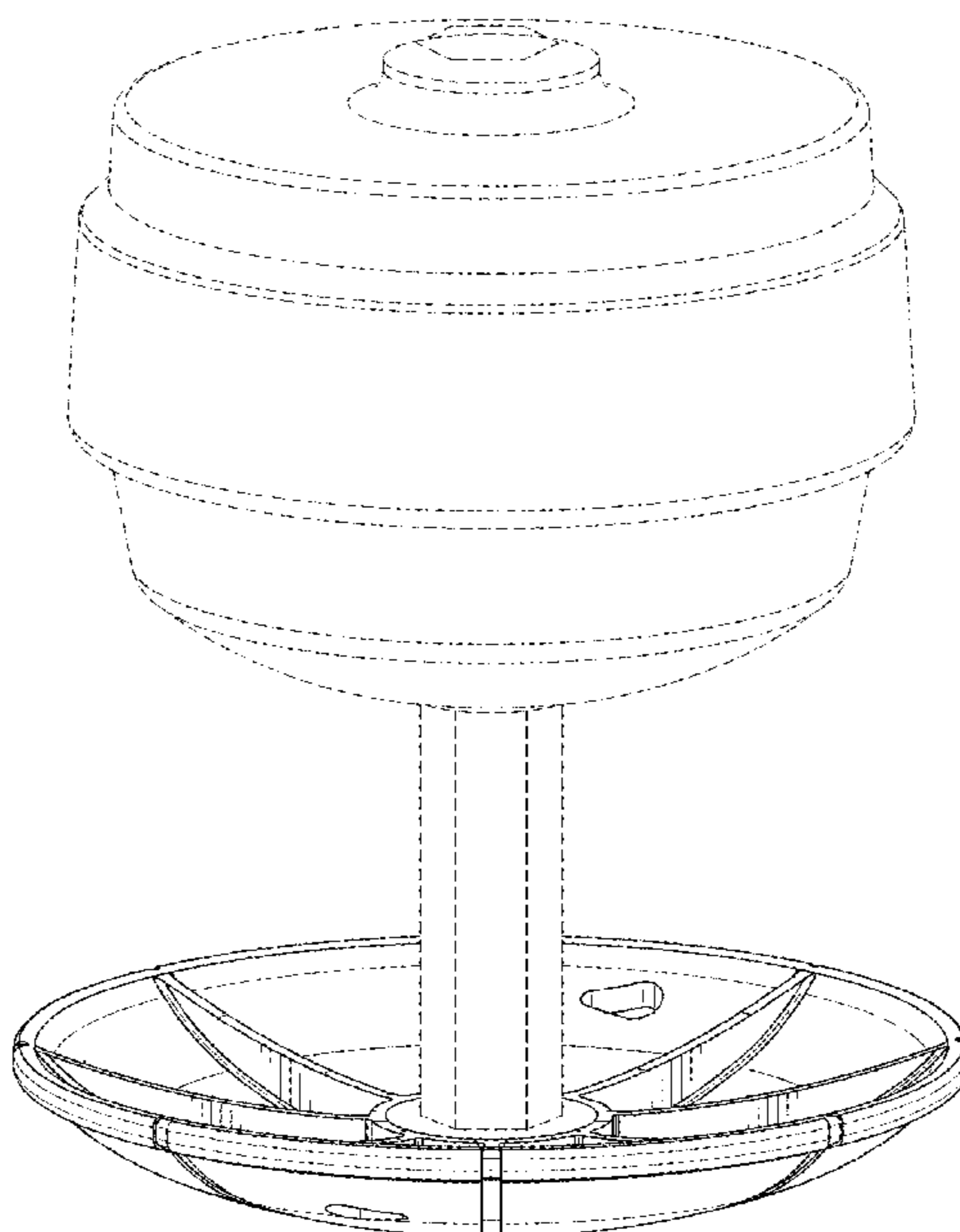
(57) **CLAIM**

The ornamental design for a glider attachment for trimmer head, as shown and described.

**DESCRIPTION**

FIG. 1 is an exterior perspective view of the glider attachment;  
FIG. 2 is an interior perspective view thereof;  
FIG. 3 is a side view thereof;  
FIG. 4 is an alternate side view thereof;  
FIG. 5 is a bottom view thereof;  
FIG. 6 is a top view thereof; and,  
FIG. 7 shows the glider attachment attached to a trimmer head.  
The broken lines represent environment, and form no part of the claimed design.

**1 Claim, 5 Drawing Sheets**



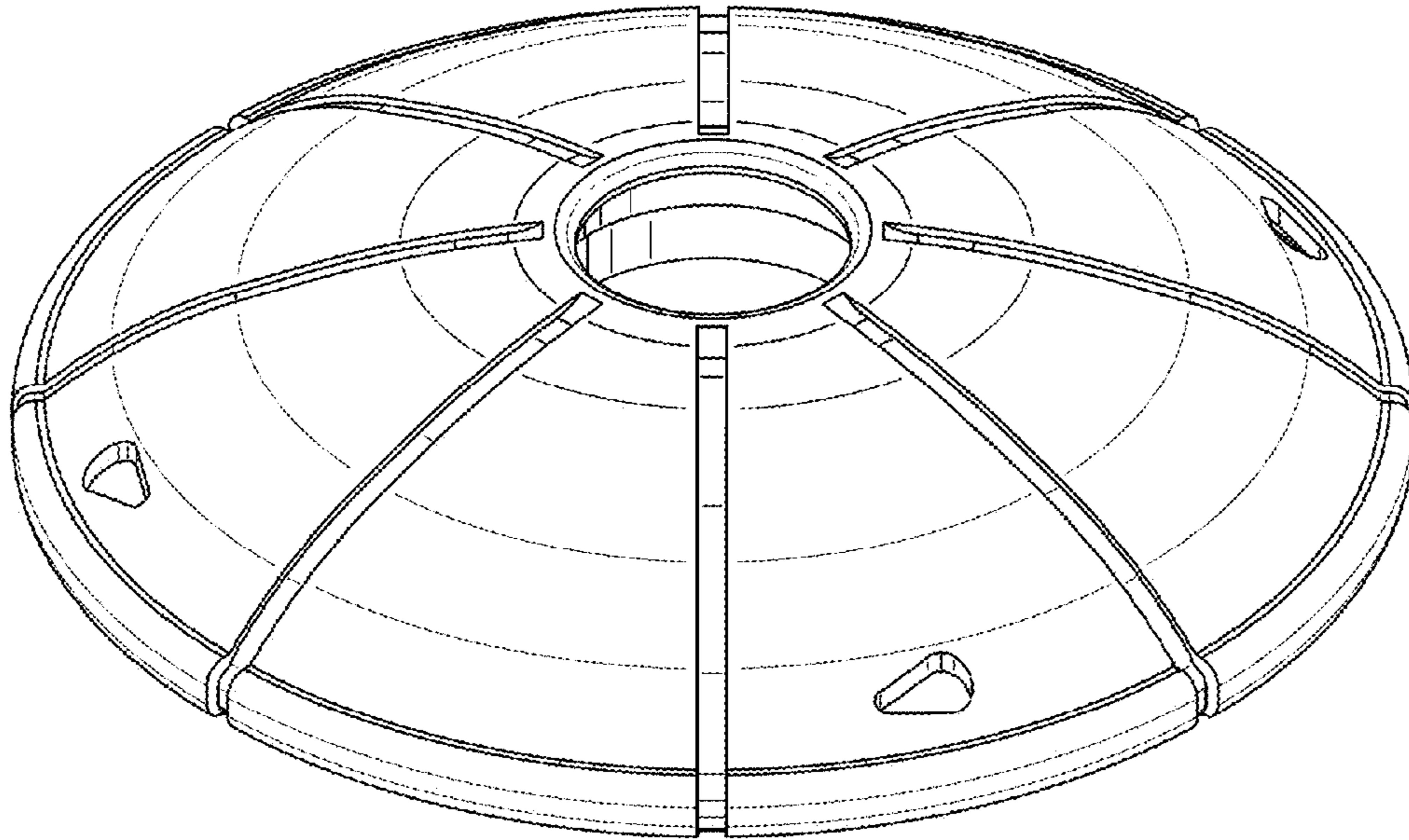


FIG. 1

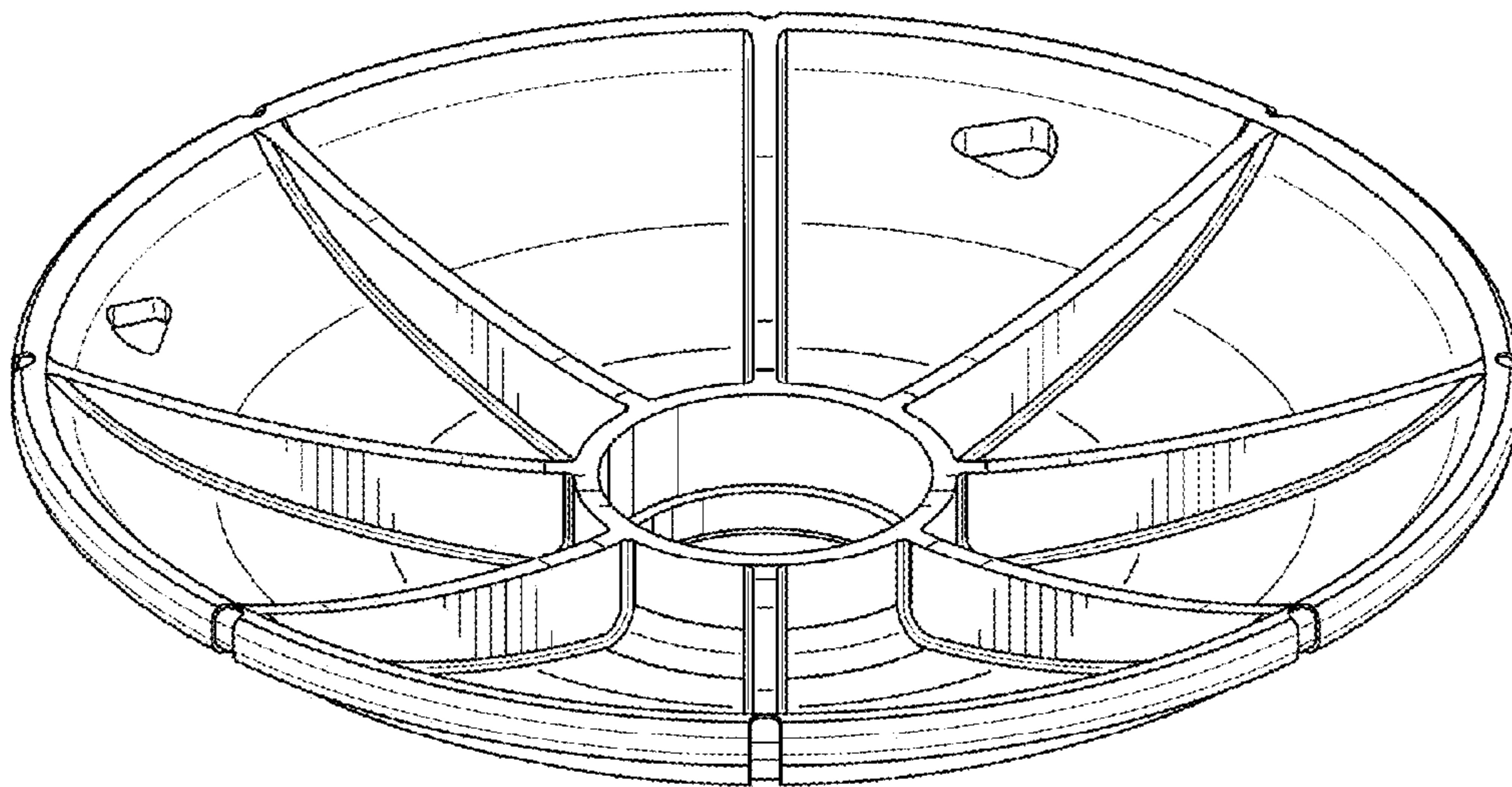


FIG. 2

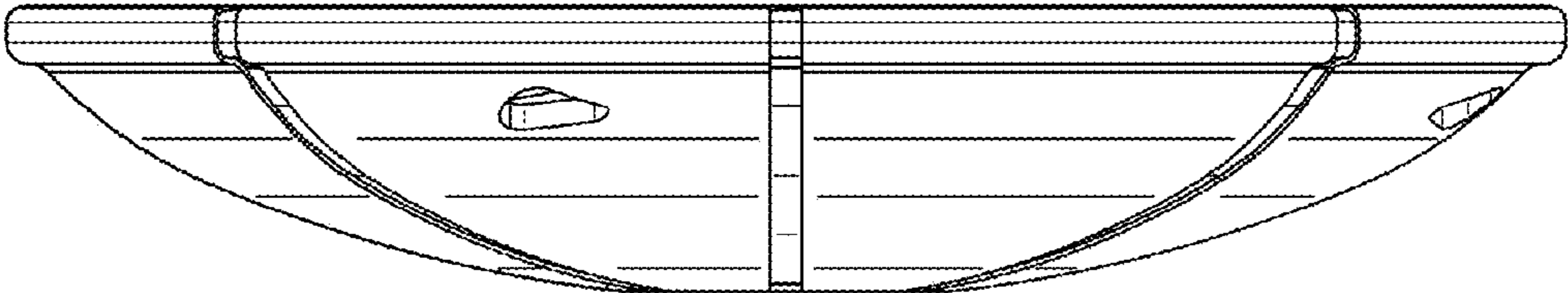


FIG. 3

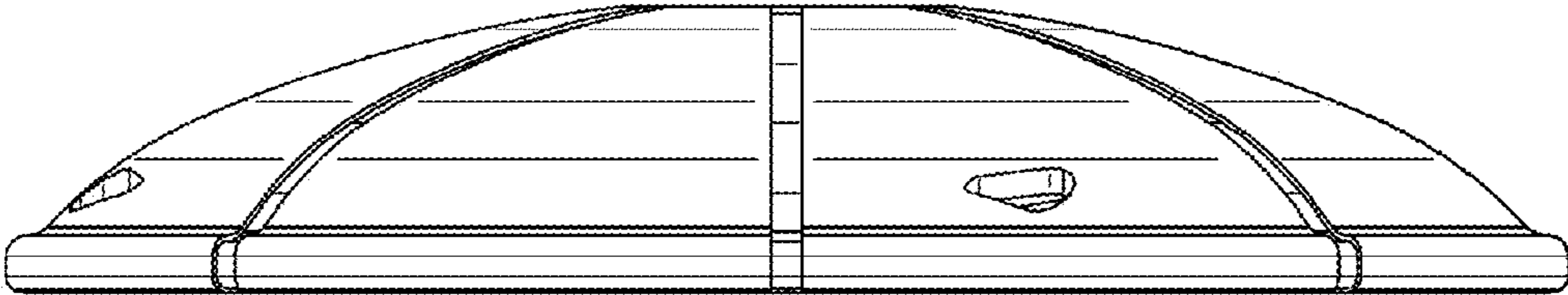


FIG. 4

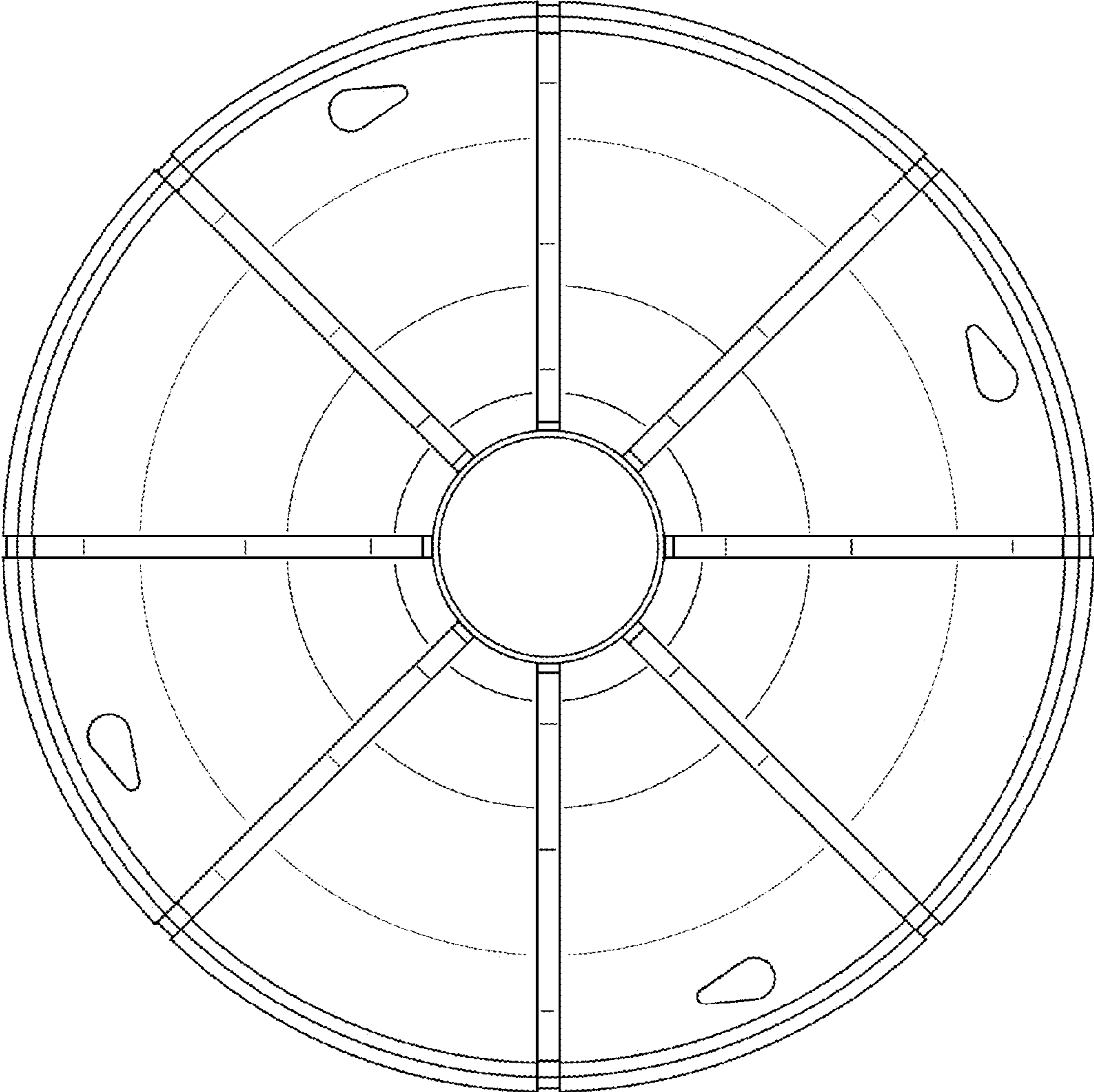


FIG. 5

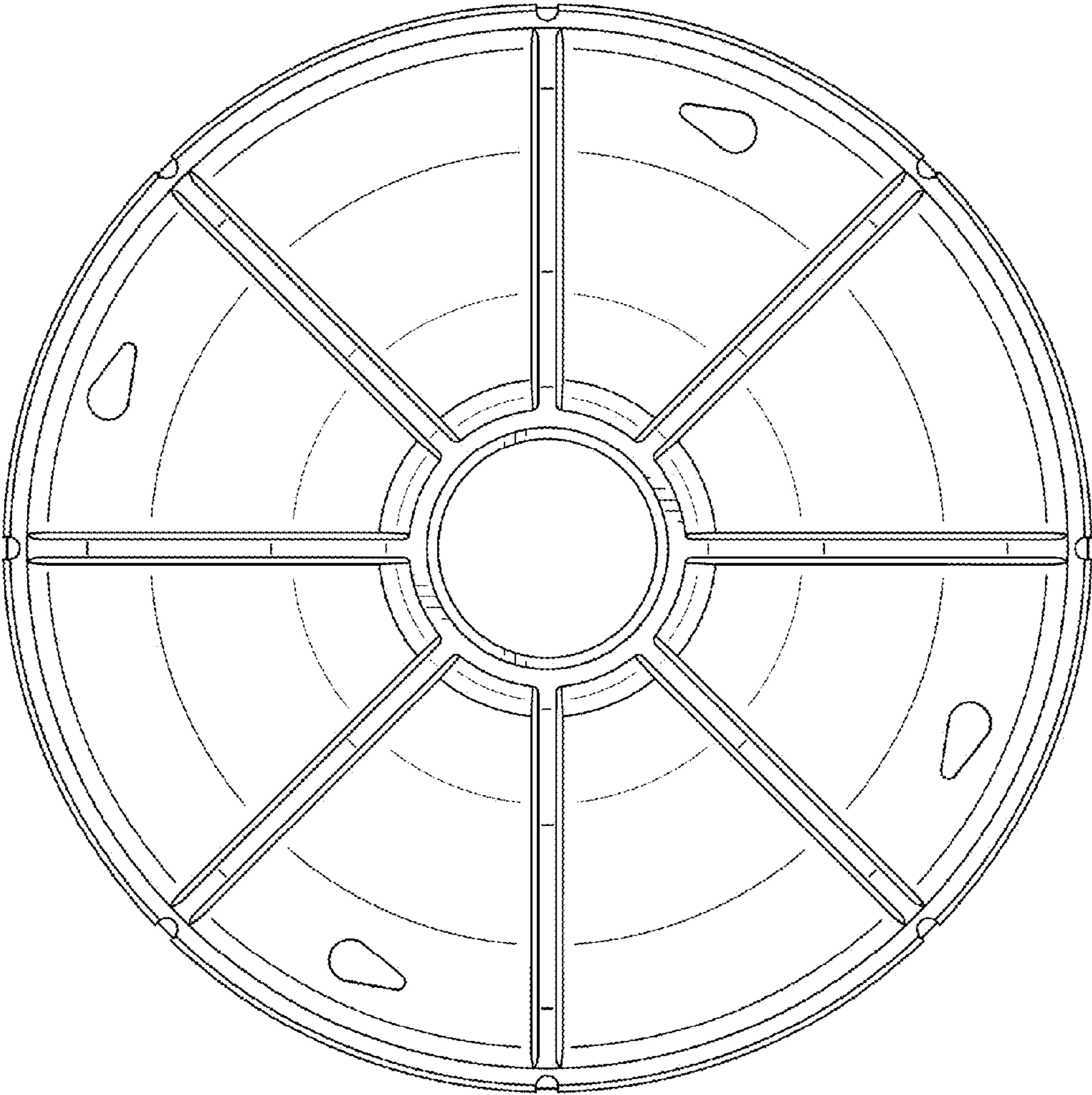


FIG. 6

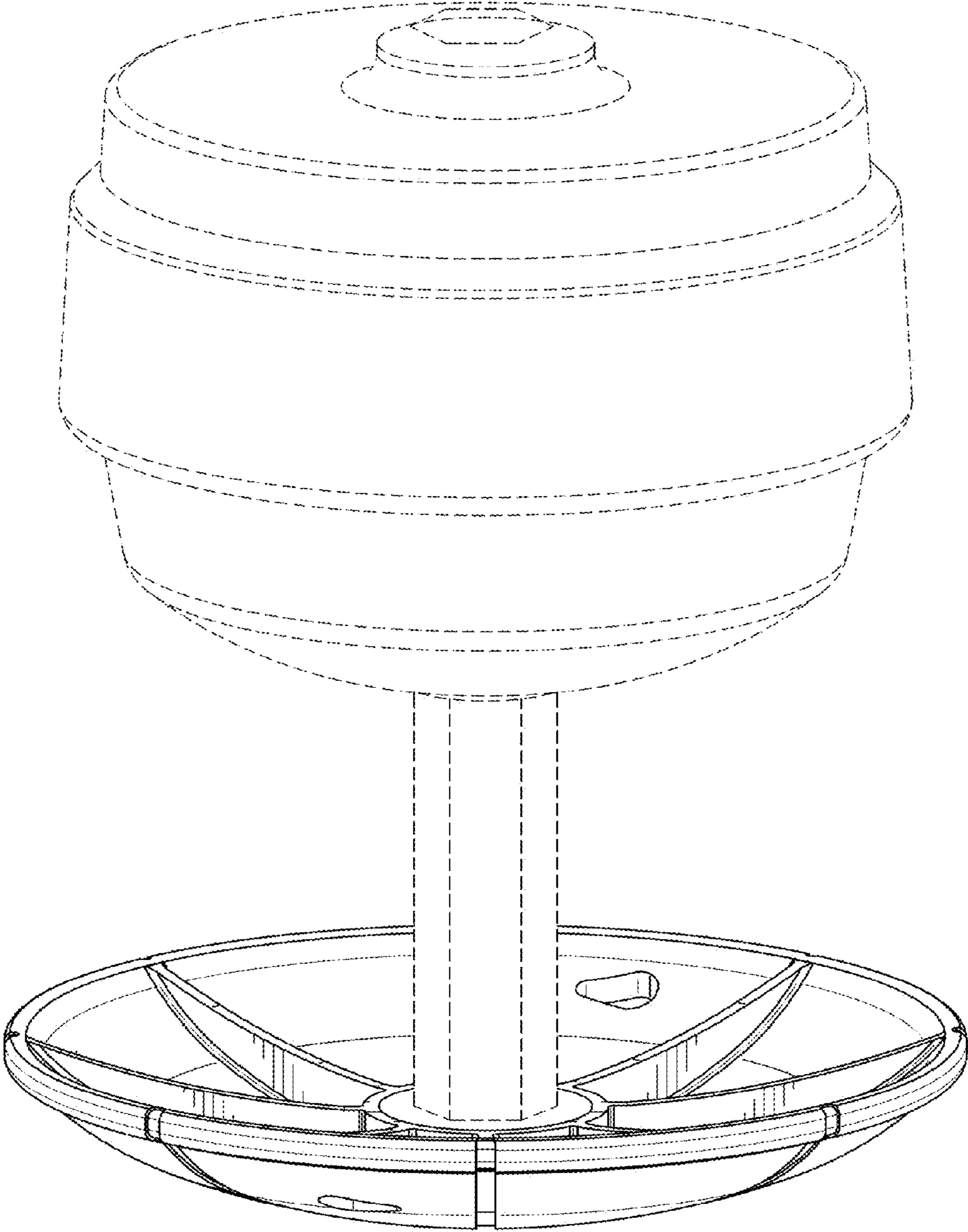


FIG. 7