



US00D710662S

(12) **United States Design Patent**
Kawase et al.

(10) **Patent No.:** **US D710,662 S**
(45) **Date of Patent:** **** Aug. 12, 2014**

(54) **MOTOR HOUSING FOR LAWN TRIMMER**

FOREIGN PATENT DOCUMENTS

(71) Applicant: **Makita Corporation**, Anjo (JP)

EM 001147466-0001 A1 8/2009

(72) Inventors: **Tomonori Kawase**, Anjo (JP);
Yoshifumi Morita, Anjo (JP)

* cited by examiner

(73) Assignee: **Makita Corporation**, Anjo-shi (JP)

Primary Examiner — Sheryl Lane

(**) Term: **14 Years**

(74) *Attorney, Agent, or Firm* — Global IP Counselors, LLP

(21) Appl. No.: **29/445,923**

(57) **CLAIM**

The ornamental design for a motor housing for a lawn trimmer, as shown and described.

(22) Filed: **Feb. 19, 2013**

DESCRIPTION

(30) **Foreign Application Priority Data**

Aug. 31, 2012 (JP) 2012-021127

(51) **LOC (10) Cl.** **08-01**

(52) **U.S. Cl.**
USPC **D8/8**

(58) **Field of Classification Search**
CPC A01D 34/416; A01D 34/4166; A01D
34/4167; A01D 34/84; A01D 34/90
USPC D8/7-9; D15/17, 1; 30/276, 208-210,
30/228, 282-383; 56/12.7, 233-234
See application file for complete search history.

FIG. 1 is a front perspective view of a motor housing for a lawn trimmer in accordance with our new design; FIG. 2 is a rear perspective view of the motor housing for a lawn trimmer in accordance with our new design; FIG. 3 is a front elevational view of the motor housing for a lawn trimmer in accordance with our new design; FIG. 4 is a rear elevational view of the motor housing for a lawn trimmer in accordance with our new design; FIG. 5 is a top plan view of the motor housing for a lawn trimmer in accordance with our new design; FIG. 6 is a bottom plan view of the motor housing for a lawn trimmer in accordance with our new design; FIG. 7 is a right side elevational view of the motor housing for a lawn trimmer in accordance with our new design; FIG. 8 is a left side elevational view of the motor housing for a lawn trimmer in accordance with our new design; and, FIG. 9 is a front perspective view of the motor housing for a lawn trimmer in accordance with our new design illustrating a state in which the motor housing is attached to other parts of the lawn trimmer.

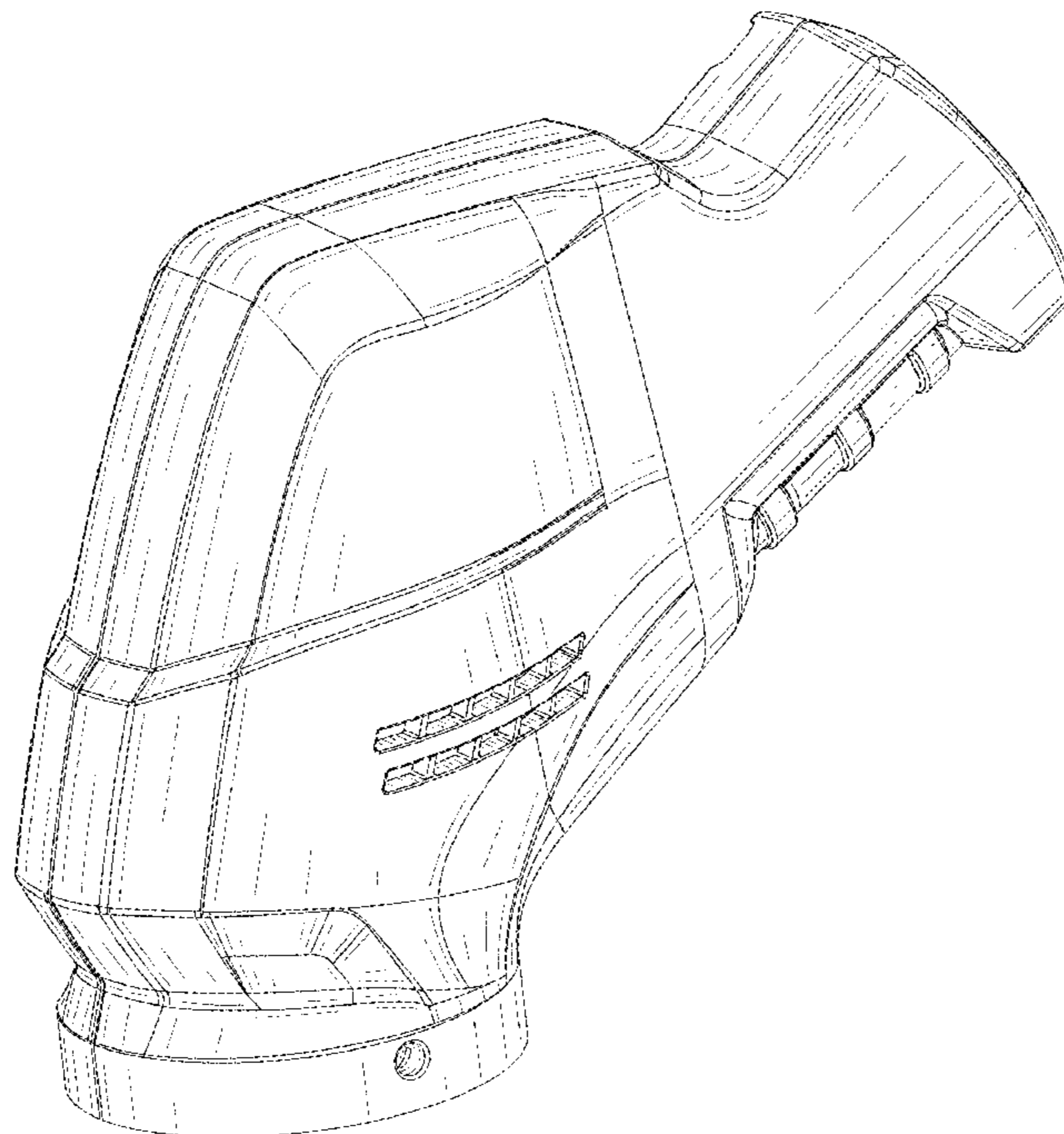
The broken line showing of environment in FIGS. 2, 4, 5, 7 and 9 forms no part of the claimed design.

(56) **References Cited**

U.S. PATENT DOCUMENTS

4,490,910 A * 1/1985 Mattson et al. 30/276
D317,852 S * 7/1991 Fujiwara et al. D8/8
D368,005 S * 3/1996 Lemcke D8/8
D566,491 S * 4/2008 Martin et al. D8/8

1 Claim, 9 Drawing Sheets



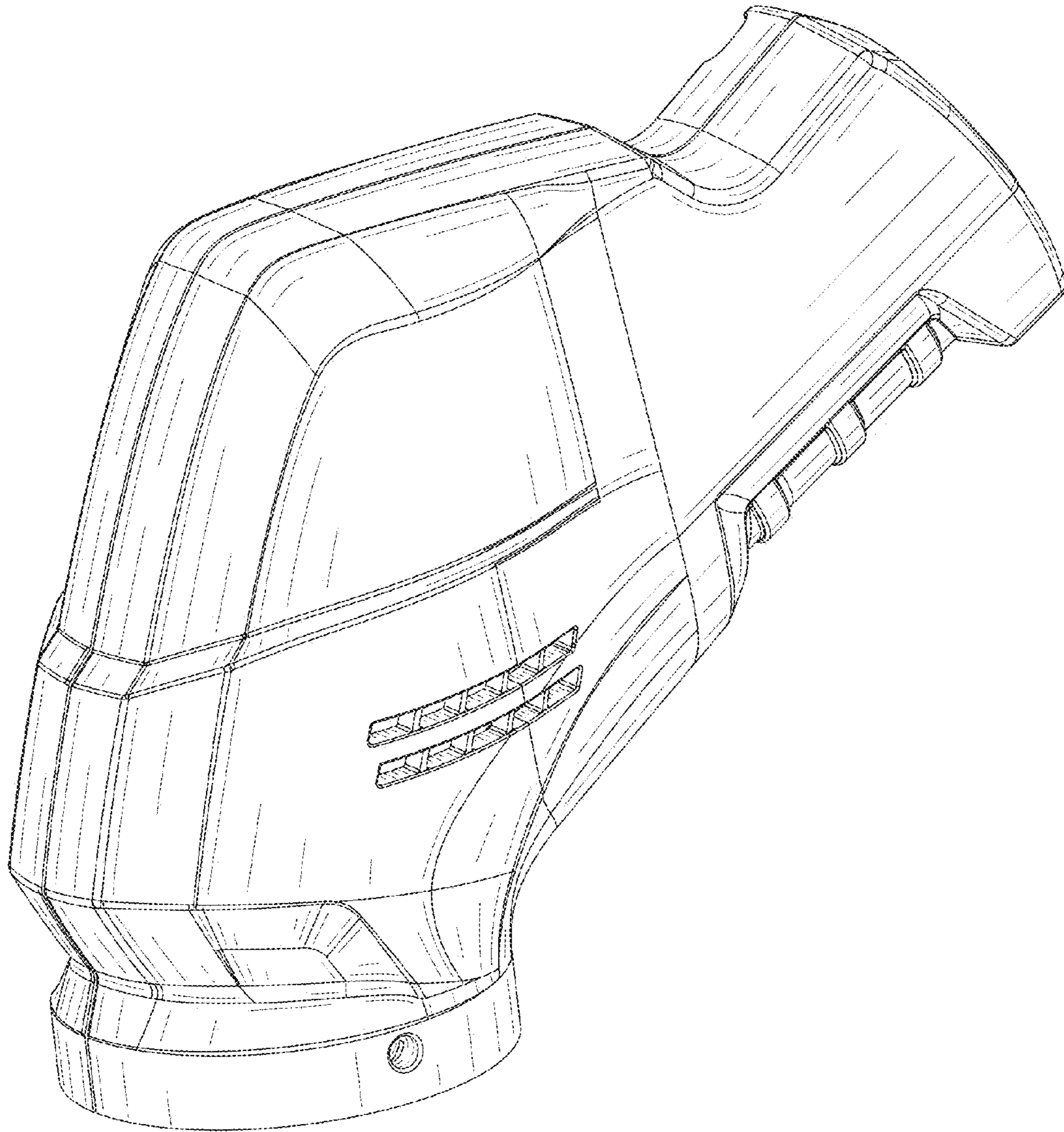


FIG. 1

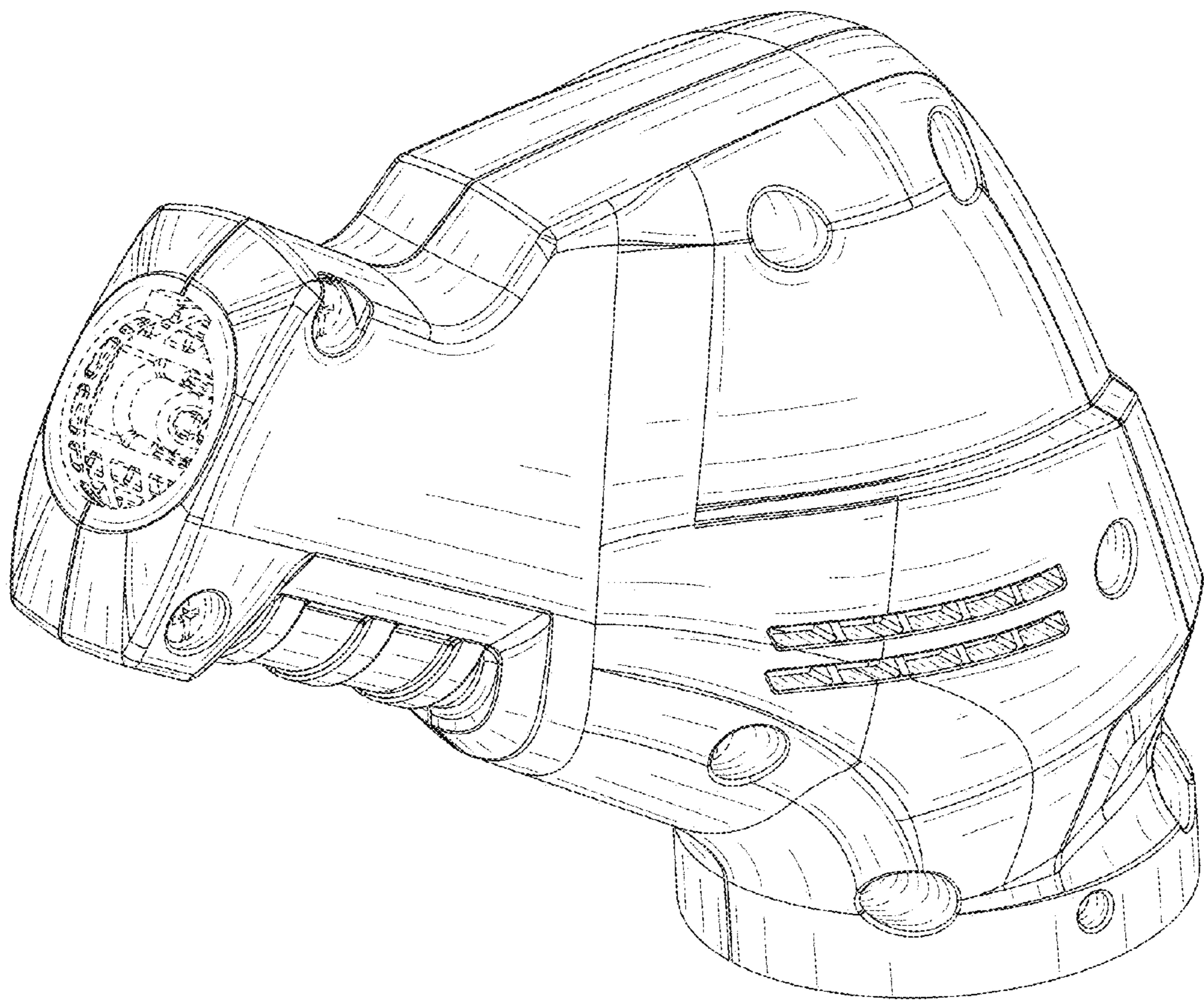


FIG. 2

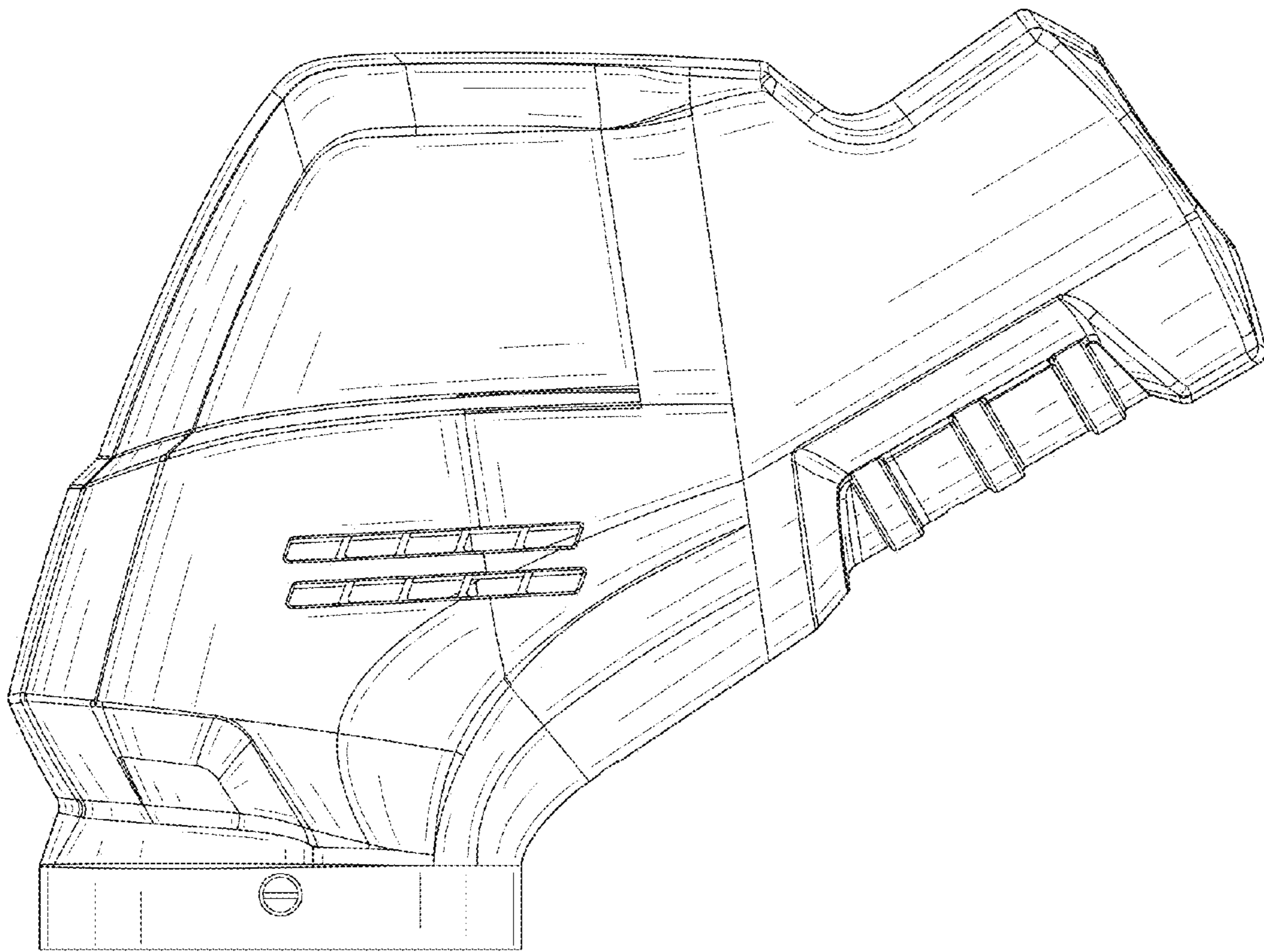


FIG. 3

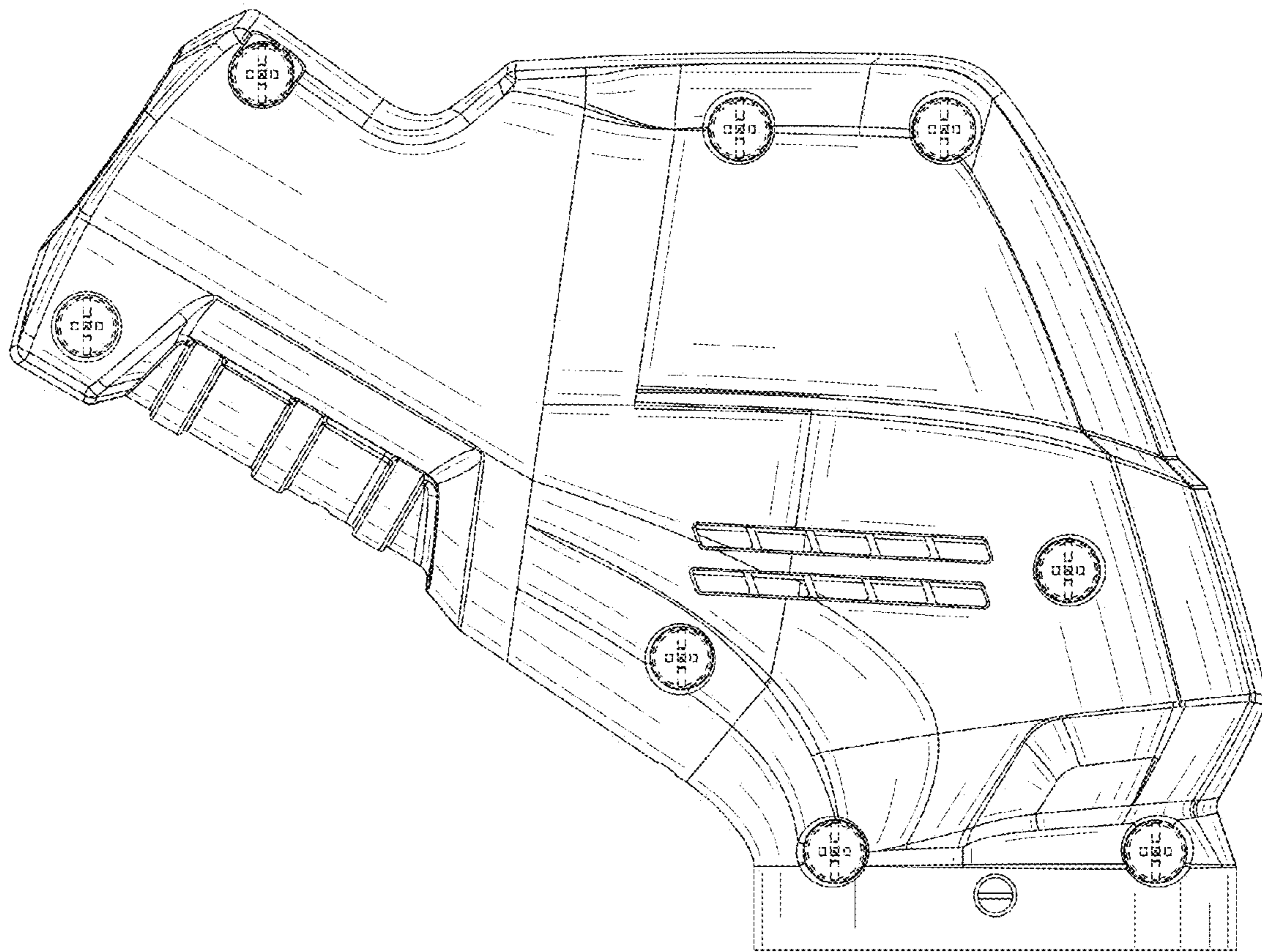


FIG. 4

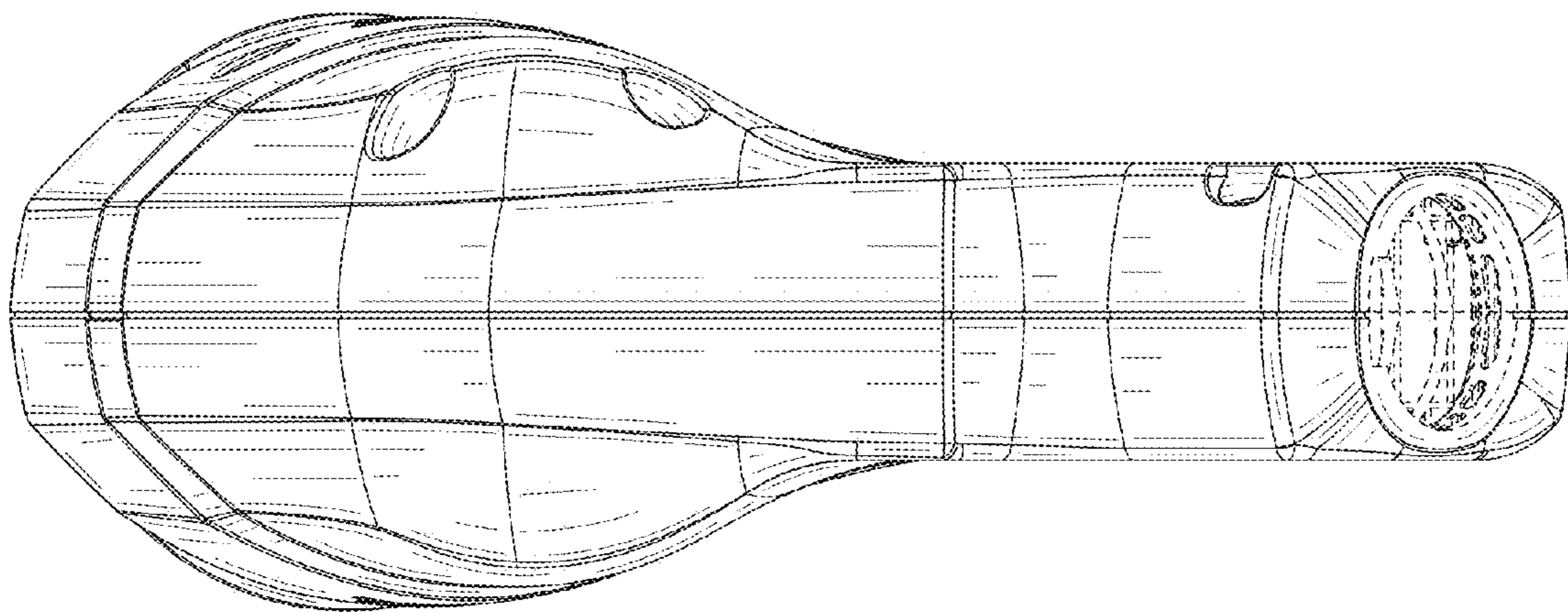


FIG. 5

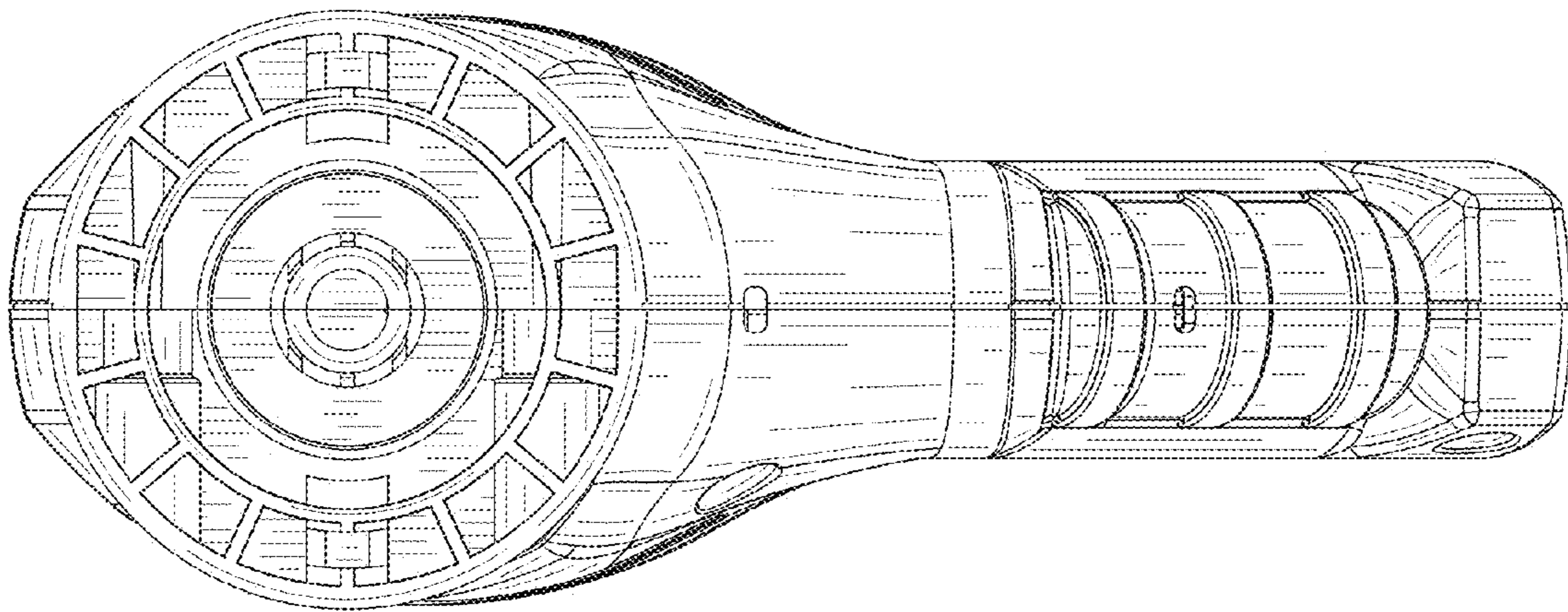


FIG. 6

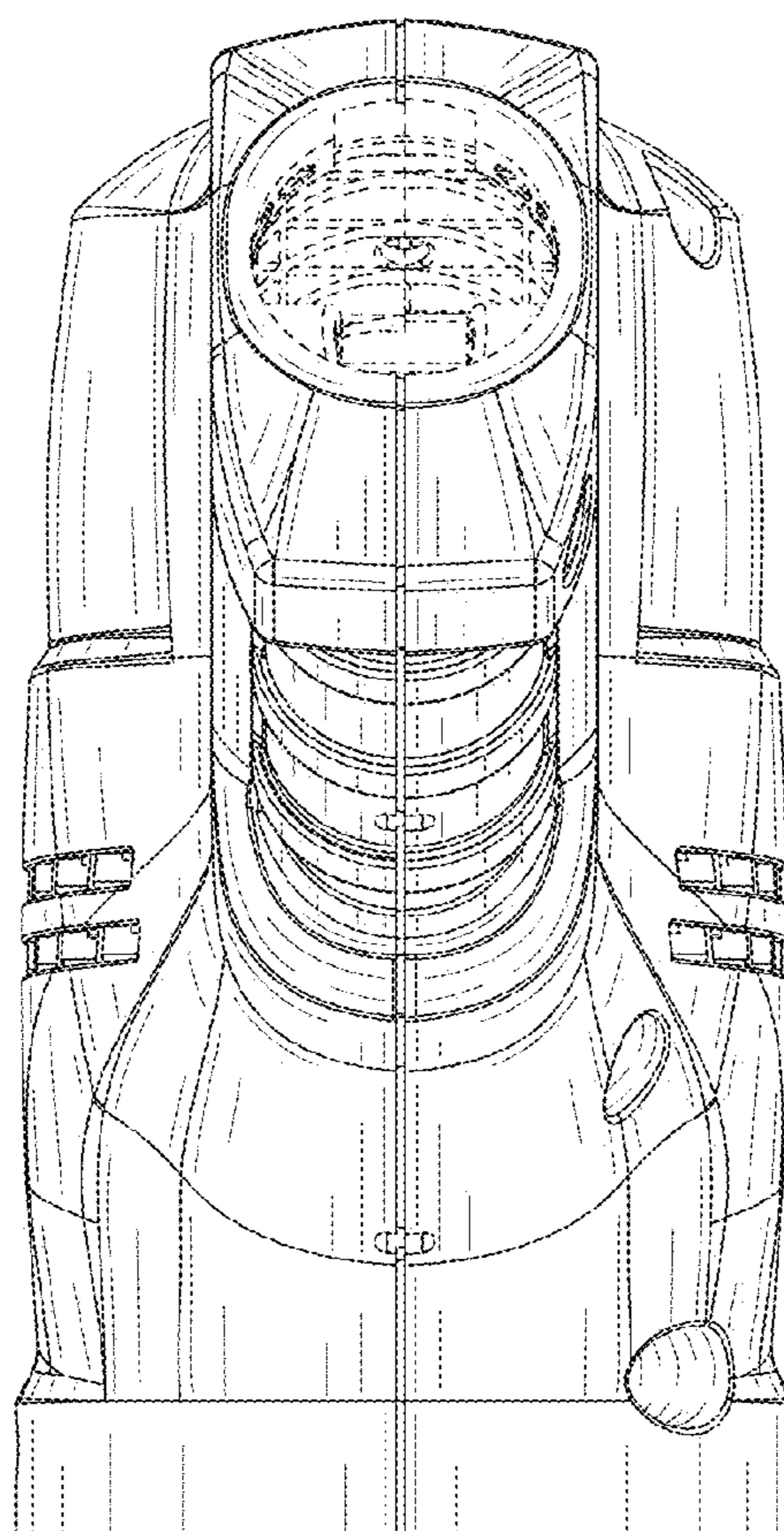


FIG. 7

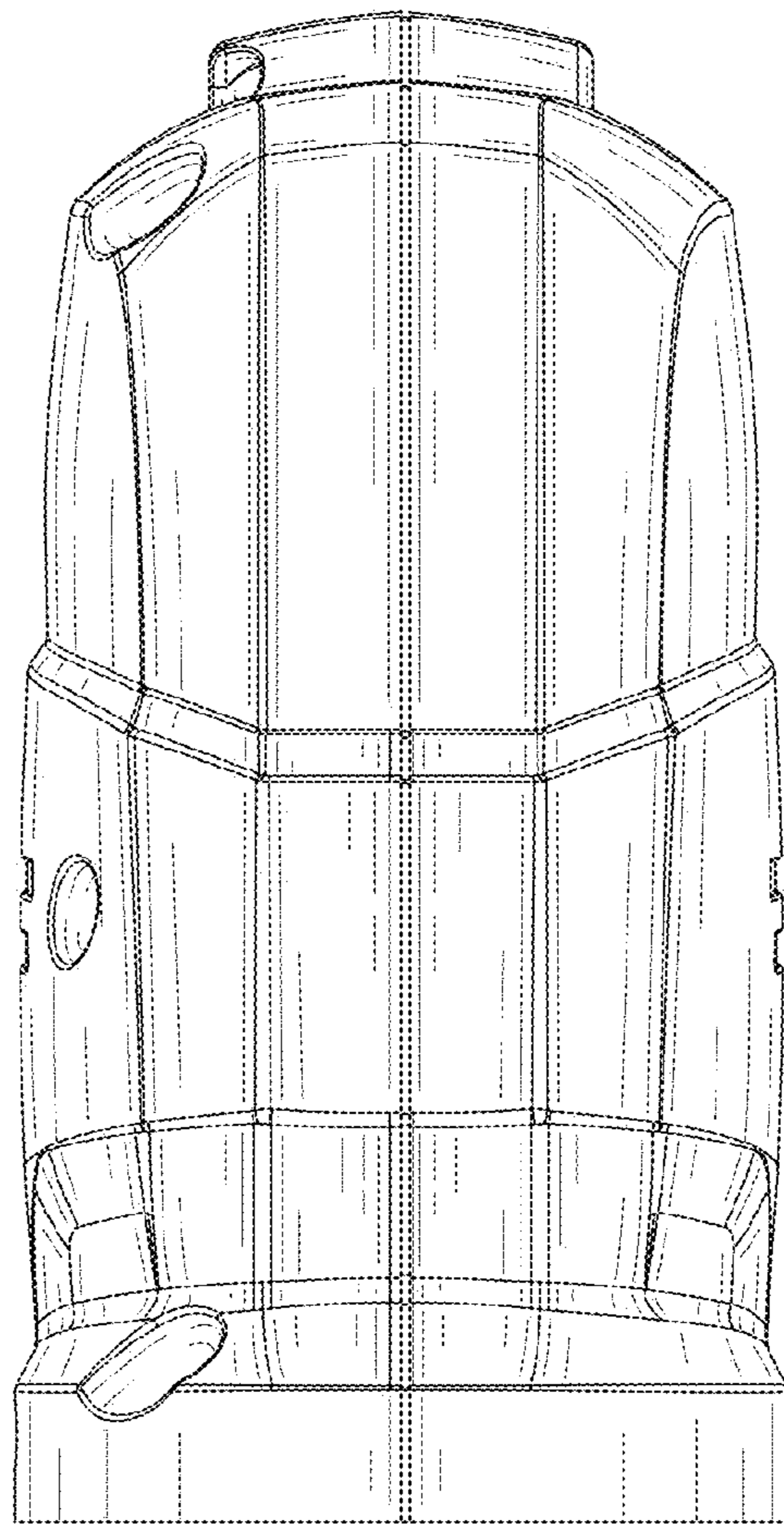


FIG. 8

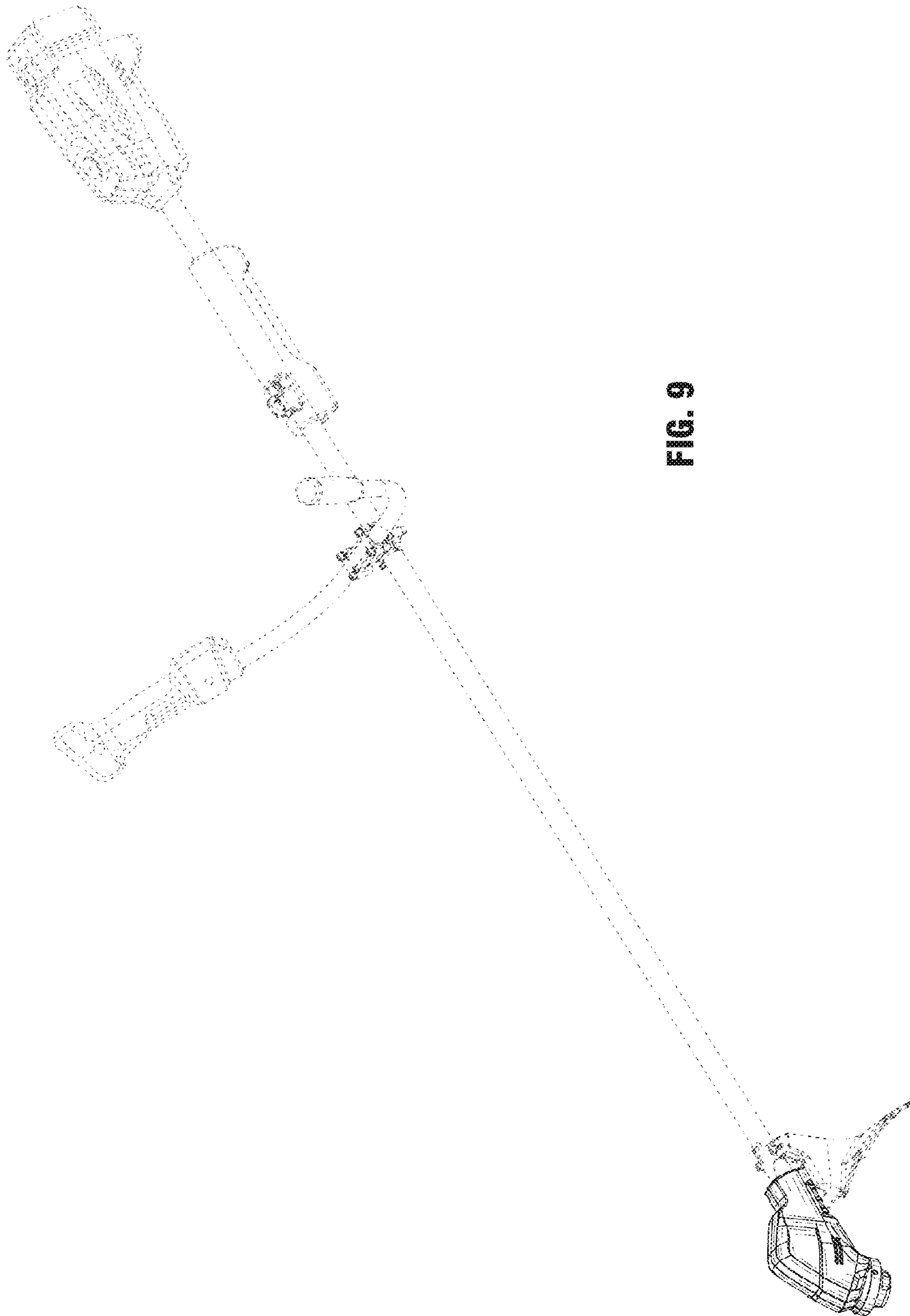


FIG. 9