



US00D710660S

(12) **United States Design Patent**
Roberts, Jr.

(10) **Patent No.:** **US D710,660 S**
(45) **Date of Patent:** **** Aug. 12, 2014**

(54) **SPICE MILL**

(71) Applicant: **Daniel James Roberts, Jr.**, Austin, TX
(US)

(72) Inventor: **Daniel James Roberts, Jr.**, Austin, TX
(US)

(73) Assignee: **Gourmet Grinder LLC**, Austin, TX
(US)

(**) Term: **14 Years**

(21) Appl. No.: **29/447,261**

(22) Filed: **Mar. 1, 2013**

(51) **LOC (10) Cl.** **07-04**

(52) **U.S. Cl.**
USPC **D7/679**

(58) **Field of Classification Search**
USPC D7/679, 590-597, 401.1, 372, 373;
D9/459, 559; 241/36, 93, 100, 101.2,
241/101.3, 273.1-273.4, 168, 169, 169.1,
241/286, 282.1; 222/480, 142.1-142.9
See application file for complete search history.

(56) **References Cited**

U.S. PATENT DOCUMENTS

3,476,297	A *	11/1969	Swett et al.	222/480
5,865,384	A	2/1999	Pai		
D446,692	S *	8/2001	Bodum	D7/679
D446,693	S *	8/2001	Bodum	D7/679
6,377,022	B1	4/2002	Rhoads		
6,443,377	B1 *	9/2002	Cheng	241/169.1
D465,135	S *	11/2002	Ng	D7/679
7,533,838	B2	5/2009	Kalogroulis et al.		
D610,882	S *	3/2010	Jossem et al.	D7/679
D616,262	S *	5/2010	Lundstrom	D7/679

2002/0092941	A1	7/2002	Henderson et al.
2009/0032627	A1	2/2009	Krasznai
2010/0308141	A1	12/2010	Bich
2013/0193246	A1	8/2013	Roberts

FOREIGN PATENT DOCUMENTS

WO	2005016097	2/2005
WO	2013106840	7/2013

OTHER PUBLICATIONS

International Search Report and Written Opinion for PCT/US2013/021458 mailed Jan. 14, 2013.
"Kuhn Rikon Vase Spice Grinder" at http://www.simplygoodstuff.com/spice_grinder.html.
Co-Pending U.S. Appl. No. 13/741,026 entitled, "Spice Mill With Interchangeable Spice Containers" to Roberts, Jr. filed Jan. 14, 2013.

* cited by examiner

Primary Examiner — Terry Wallace

(74) *Attorney, Agent, or Firm* — Meyertons, Hood, Kivlin, Kowert & Goetzel, P.C.; Eric B. Meyertons

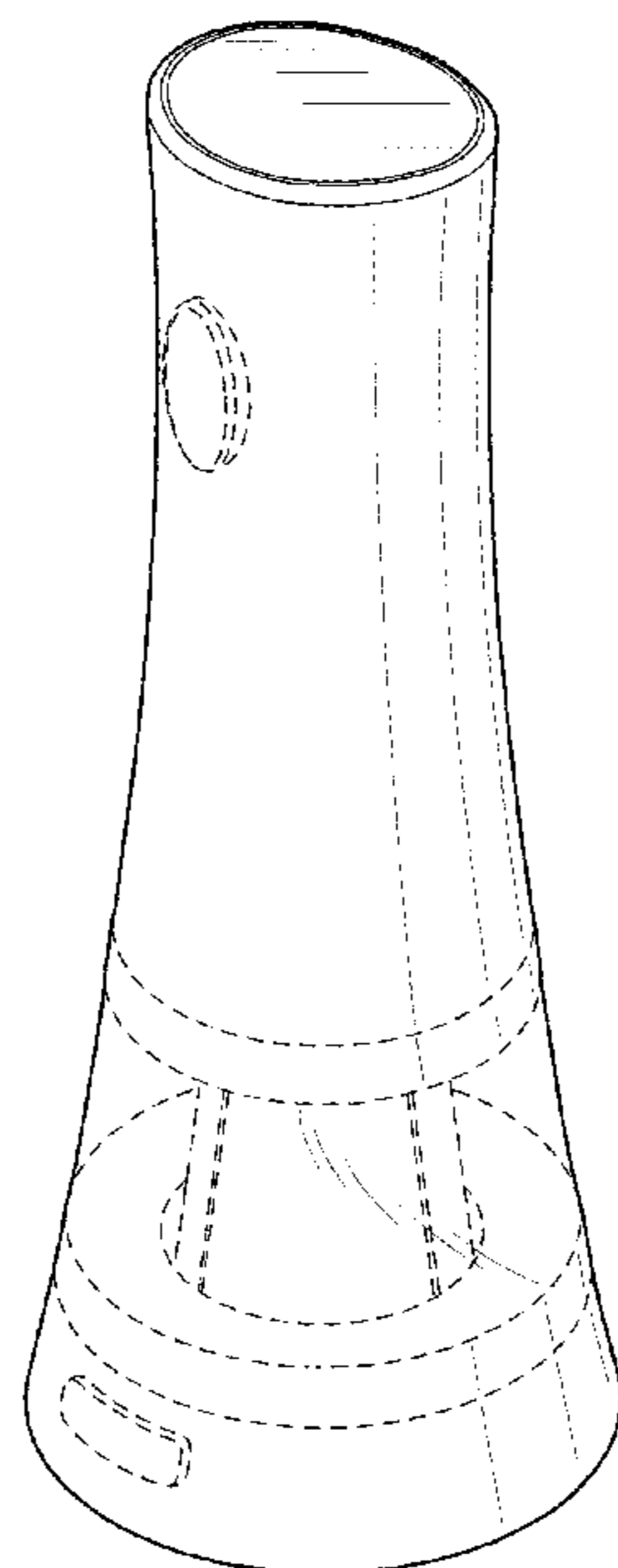
(57) **CLAIM**

The ornamental design for a spice mill, as shown and described.

DESCRIPTION

FIG. 1 is a front-right perspective view of a spice mill.
FIG. 2 is a front view of a spice mill.
FIG. 3 is a rear view of a spice mill.
FIG. 4 is a left view of a spice mill.
FIG. 5 is a right view of a spice mill.
FIG. 6 is a top view of a spice mill; and,
FIG. 7 is a bottom view of a spice mill.
The broken lines in the drawings are for illustrative purposes only and form no part of the claimed design.

1 Claim, 4 Drawing Sheets



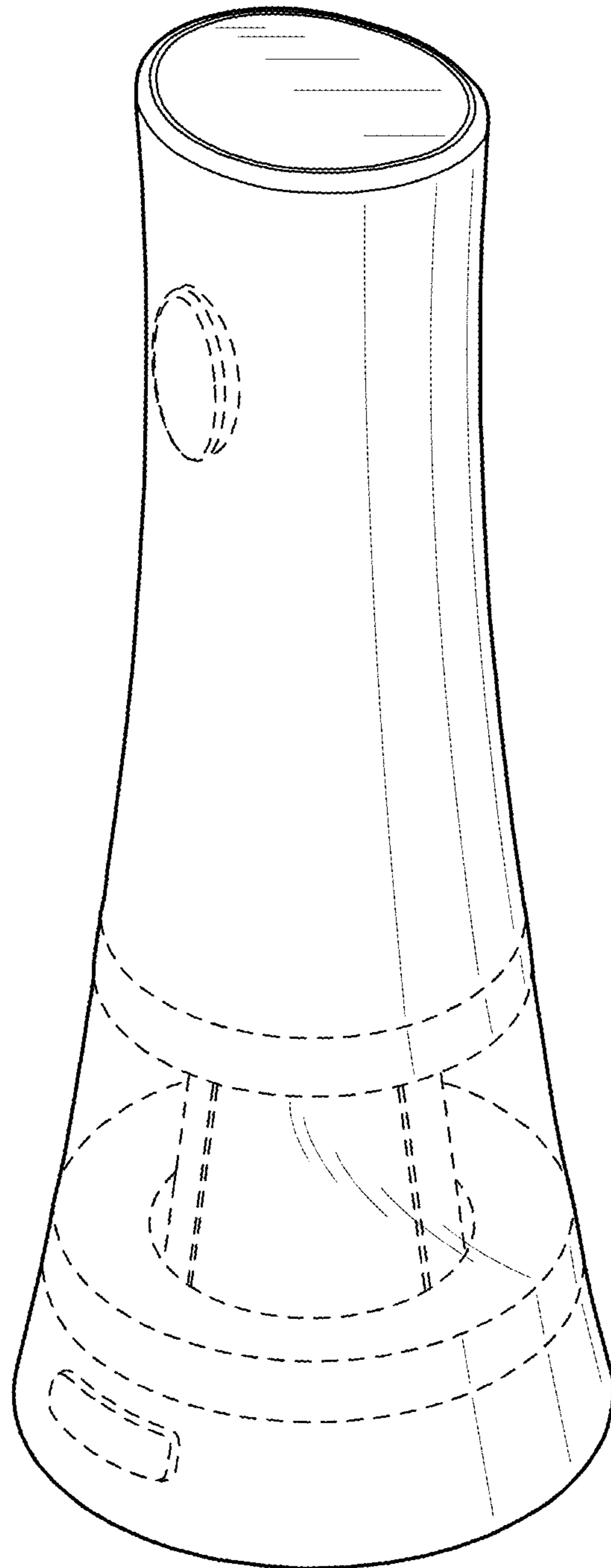


FIG. 1

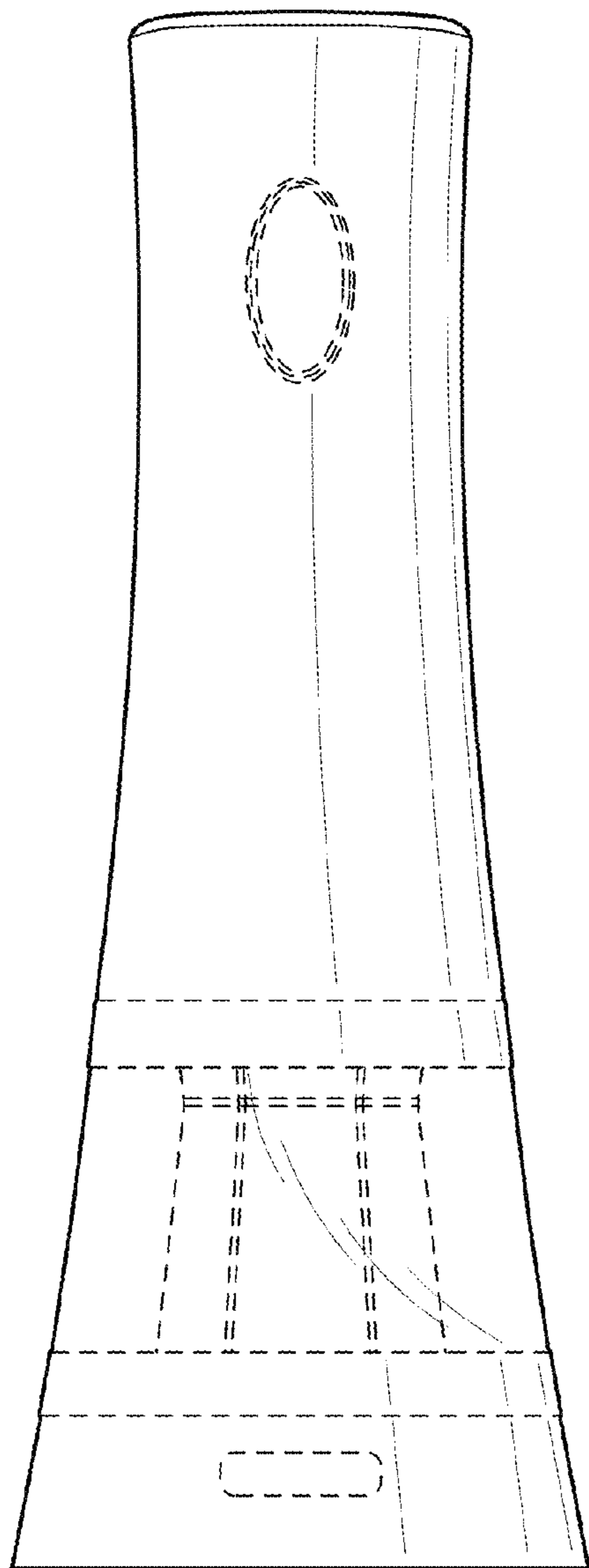


FIG. 2

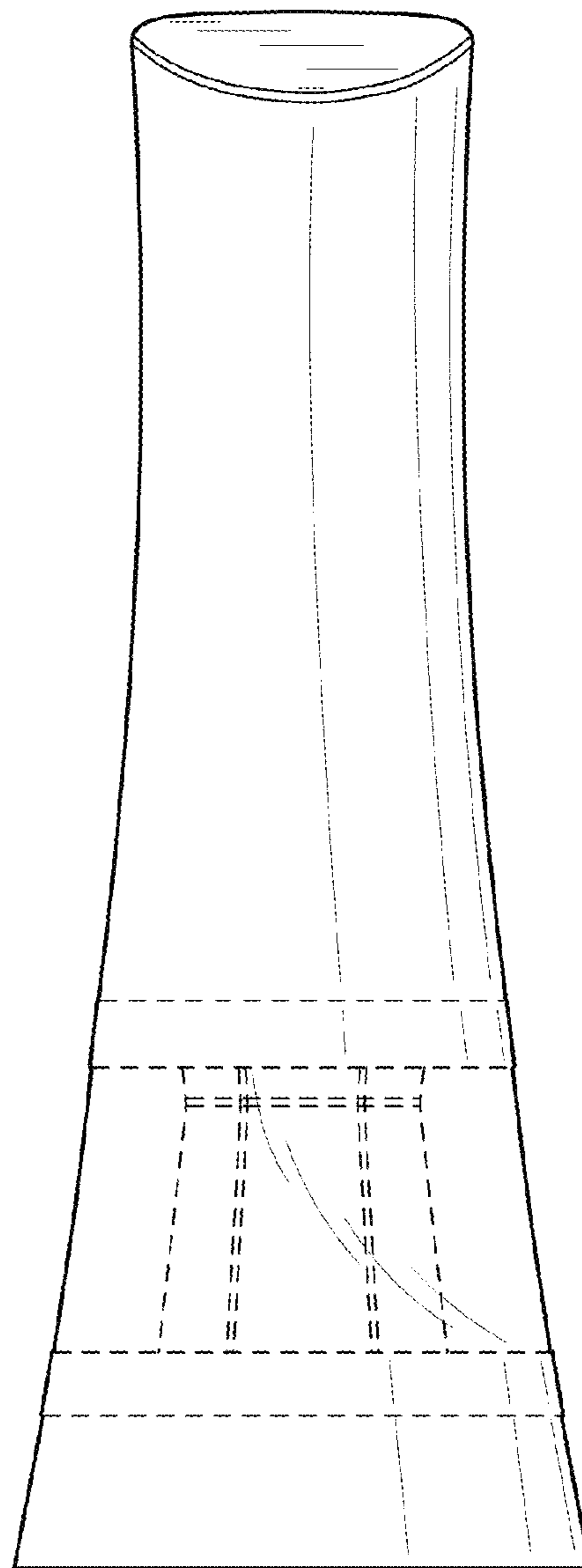


FIG. 3

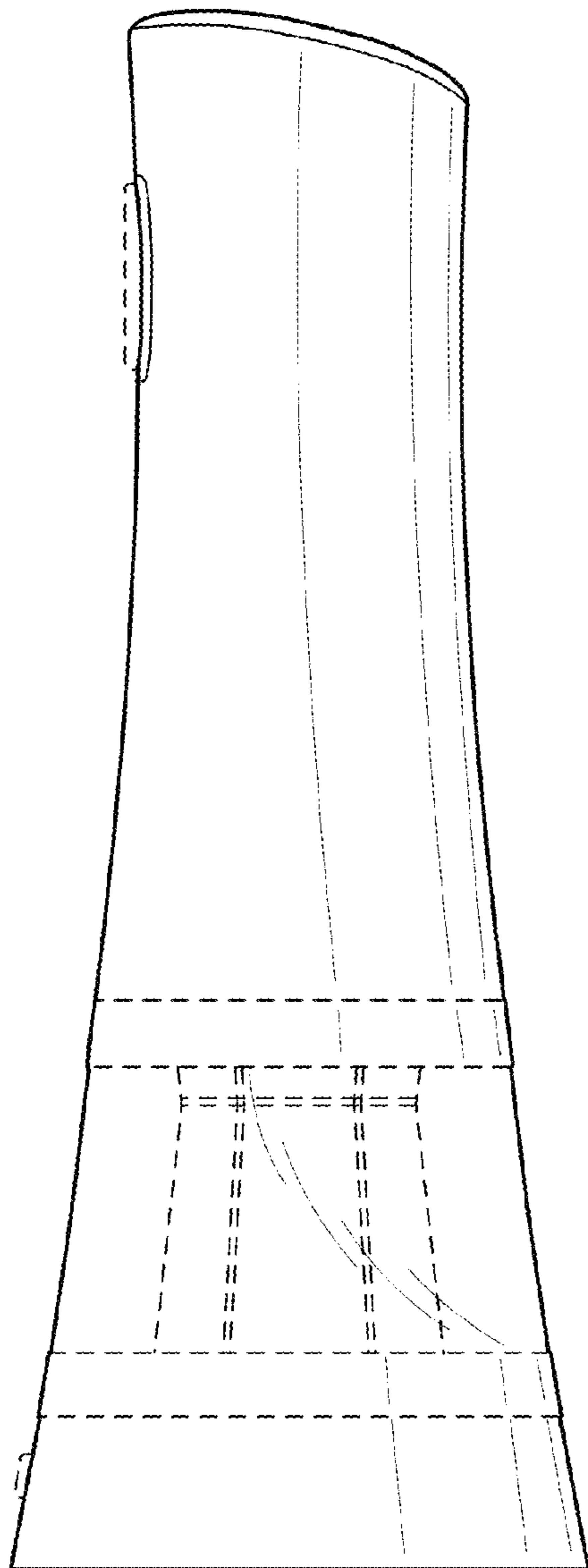


FIG. 4

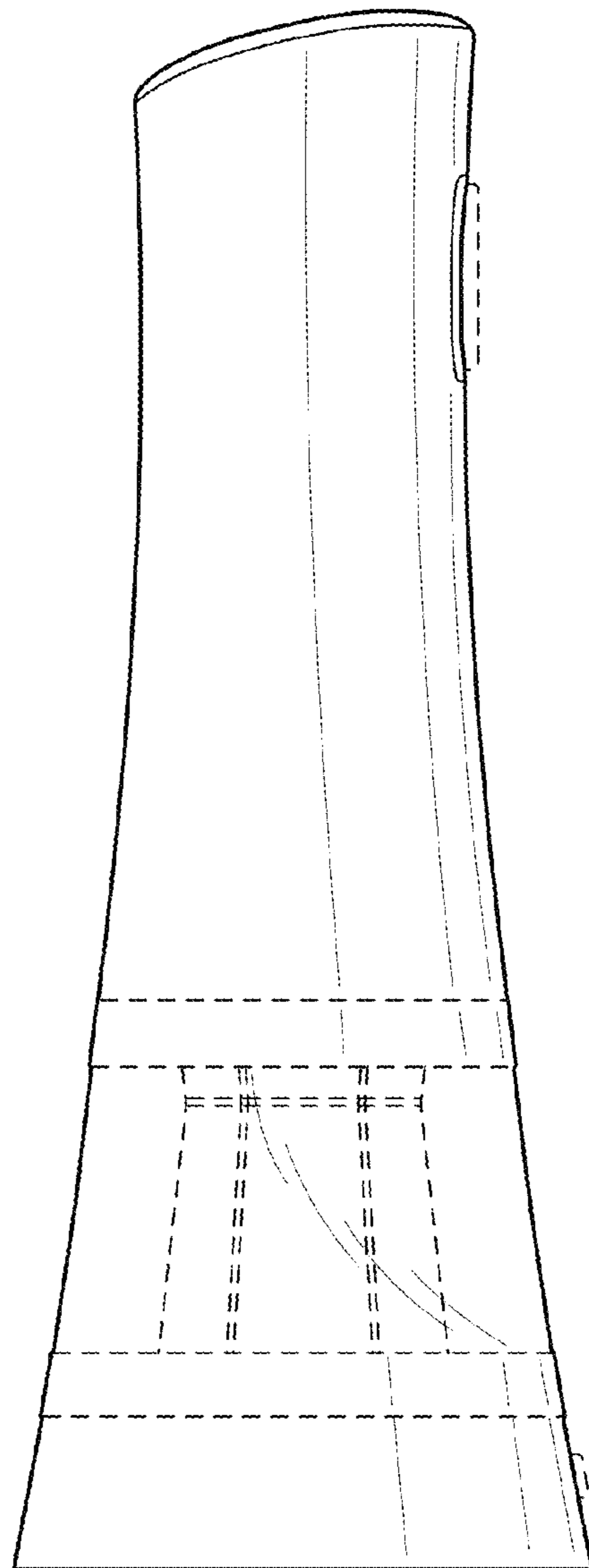


FIG. 5

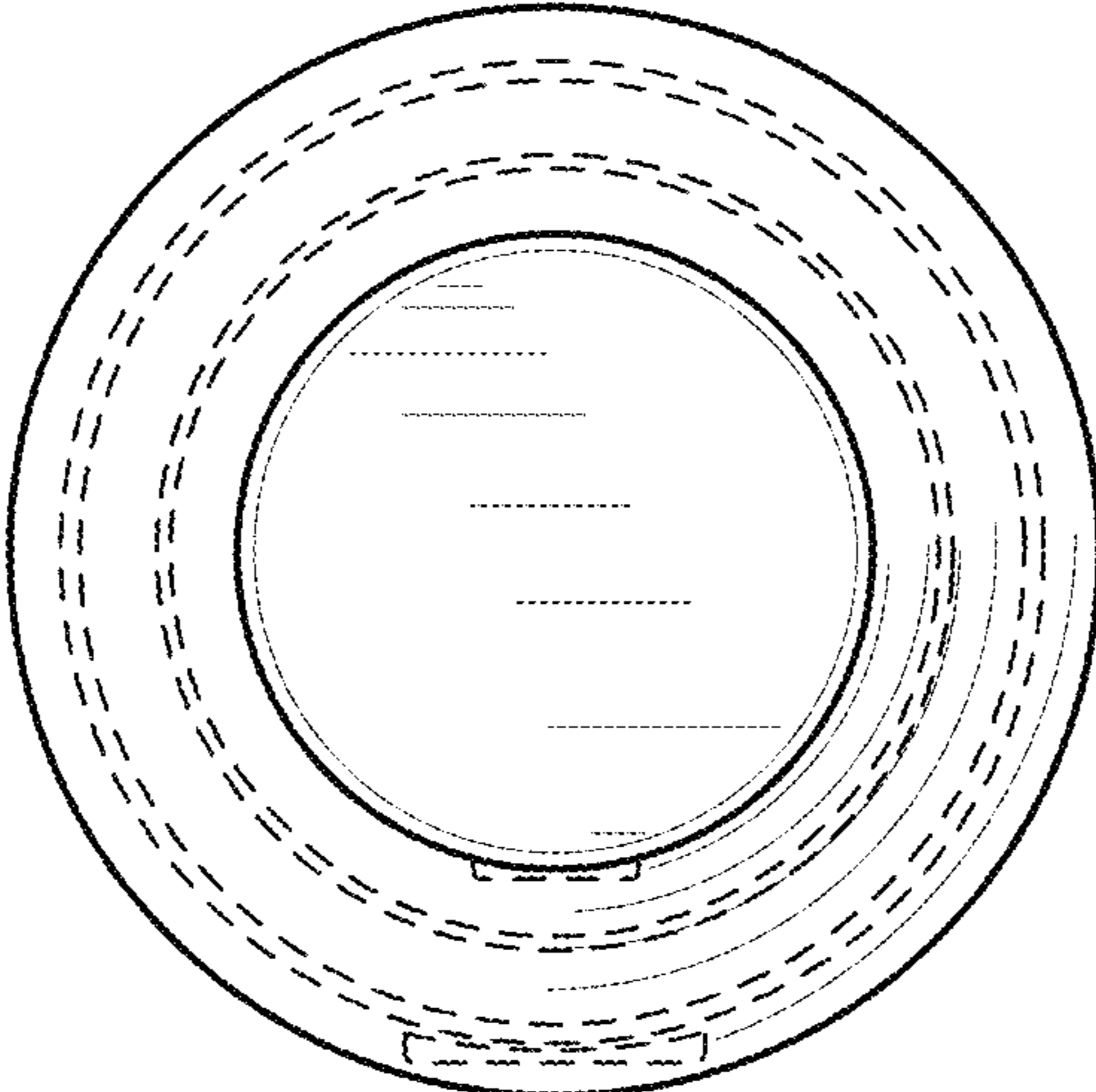


FIG. 6

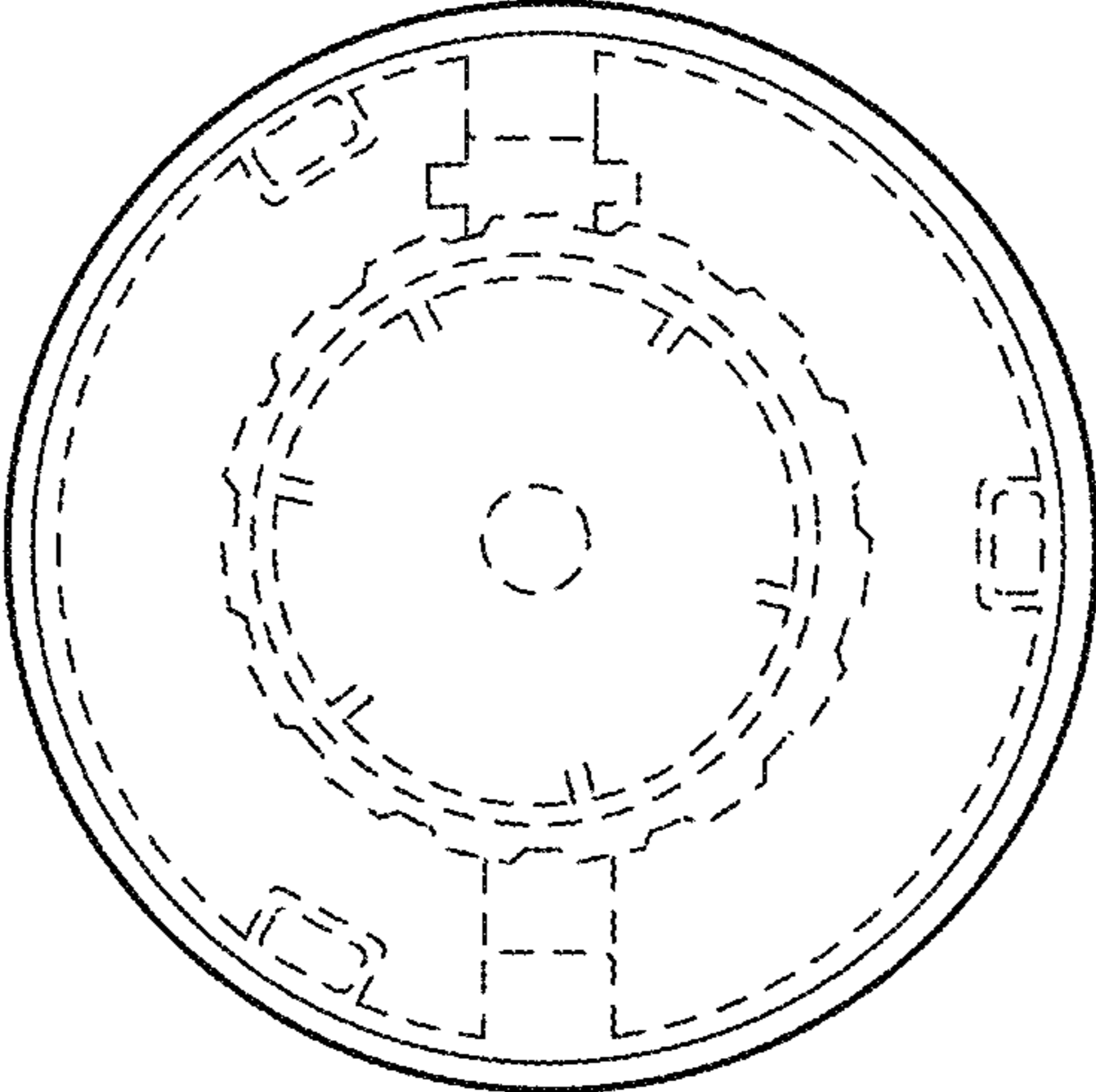


FIG. 7