



US00D710659S

(12) **United States Design Patent**
Marquez et al.

(10) **Patent No.:** **US D710,659 S**

(45) **Date of Patent:** **** Aug. 12, 2014**

(54) **JUICER**

416/77

See application file for complete search history.

(71) Applicant: **Koninklijke Philips N.V.**, Eindhoven (NL)

(56) **References Cited**

(72) Inventors: **Lacides Manuel Marquez**, Almere Buiten (NL); **Roeland Gerard Krooshof**, Rotterdam (NL); **Simon James Hemmingway Wilkinson**, Leiderdorp (NL)

U.S. PATENT DOCUMENTS

(73) Assignee: **Koninklijke Philips N.V.**, Eindhoven (NL)

D159,469	S	*	8/1950	Bennett	D7/665
2,995,165	A	*	8/1961	Menne	99/511
D325,322	S	*	4/1992	Maass	D7/384
D331,176	S	*	11/1992	Green	D7/679
5,479,851	A	*	1/1996	McClellan et al.	99/512
6,397,736	B1	*	6/2002	Tseng et al.	99/511
6,766,731	B1	*	7/2004	Lavi et al.	99/492
D502,048	S	*	2/2005	Lin	D7/384
D506,108	S	*	6/2005	Cohen et al.	D7/665
D513,943	S	*	1/2006	Hsu	D7/665
D522,321	S	*	6/2006	Hsu	D7/665
7,066,082	B2	*	6/2006	O'Loughlin	99/511
D526,540	S	*	8/2006	Cohen et al.	D7/665

(**) Term: **14 Years**

(21) Appl. No.: **29/455,668**

(22) Filed: **May 23, 2013**

(Continued)

(30) **Foreign Application Priority Data**

Primary Examiner — Ian Simmons
Assistant Examiner — Shannon Morgan

Nov. 27, 2012 (EM) 002143032-0001

(51) **LOC (10) Cl.** **07-04**

(52) **U.S. Cl.**
USPC **D7/665**

(58) **Field of Classification Search**

CPC A47J 19/02; A47J 19/027; A47J 19/00;
A47J 19/06; A47J 19/022; A47J 44/00;
A47J 44/02; A47J 43/00; A47J 43/25; A47J
43/046; A47J 43/0722; A47J 31/00; A47J
31/005; A47J 31/02; A47J 31/04; A23N 1/02;
A23N 1/00; A23N 1/003; A23N 1/006
USPC D7/368, 665-667, 412, 376-386, 372,
D7/373, 375, 374, 300, 304, 305, 309, 310,
D7/311, 312, 313; 241/92, 101.1-101.73,
241/285.1-285.3, 36, 37.5, 100, 282.1;
99/501-513, 495, 499, 348, 357, 349,
99/369, 370, 496-497, 279, 280, 284,
99/290; 366/98, 142, 197-211, 241-254,
366/279-292, 341-347, 64-67; 100/213,
100/218, 283, 288, 208; 416/75, 70 R, 76,

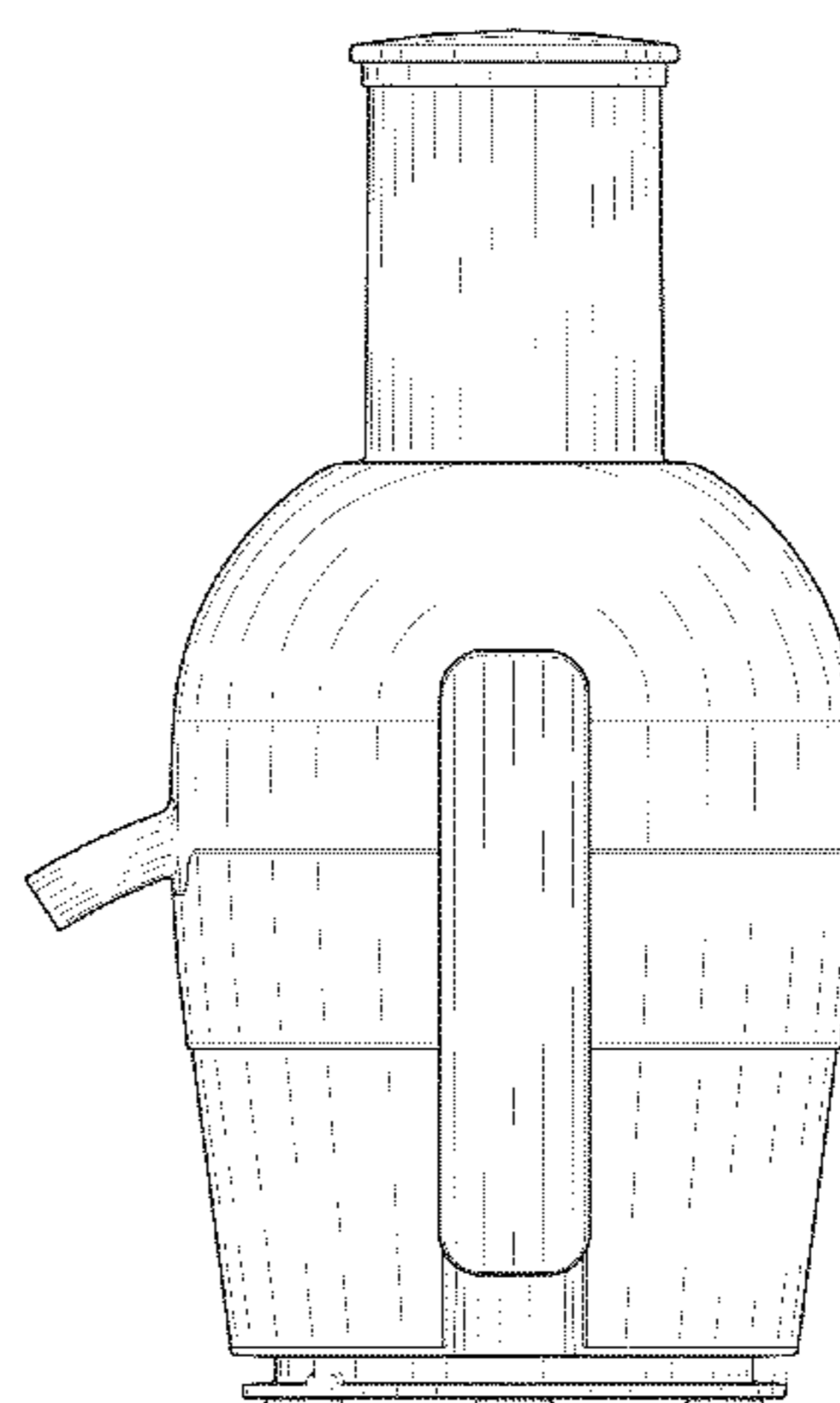
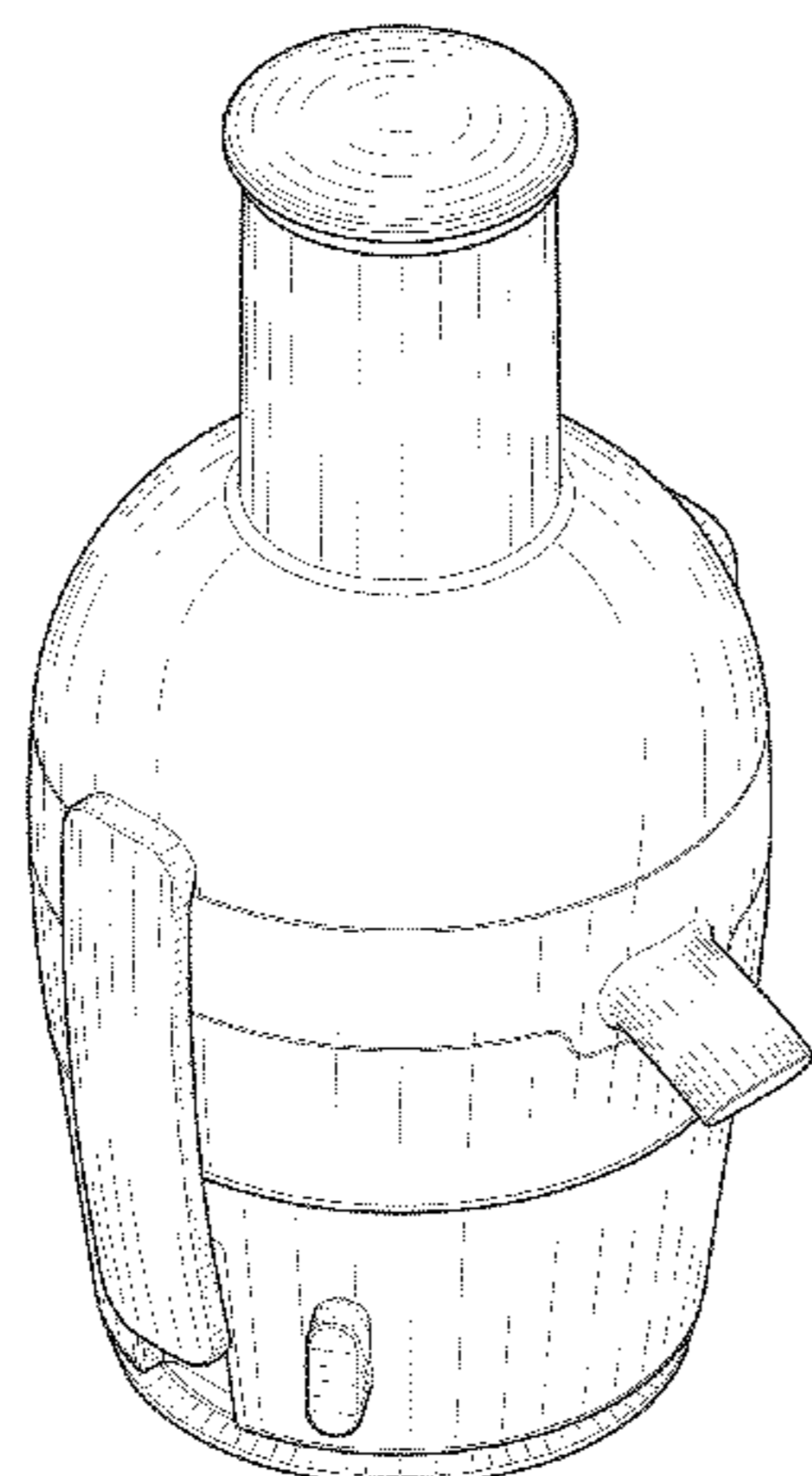
(57) **CLAIM**

The ornamental design for a juicer, as shown and described.

DESCRIPTION

FIG. 1 is a top, right, front perspective view of a juicer showing our new design;
FIG. 2 is a front elevational view thereof;
FIG. 3 is a rear elevational view thereof;
FIG. 4 is a right side elevational view thereof;
FIG. 5 is a left side elevational view thereof;
FIG. 6 is a top plan view thereof; and,
FIG. 7 is a bottom plan view thereof.
The broken lines in FIG. 7 of the Juicer are for the purpose of illustrating environment, and form no part of the claimed design.

1 Claim, 6 Drawing Sheets



(56)

References Cited

U.S. PATENT DOCUMENTS

D528,873 S *	9/2006	Hensel	D7/665	D676,287 S *	2/2013	Ferraby	D7/665
D534,400 S *	1/2007	Cohen et al.	D7/665	D682,629 S *	5/2013	Bachmann et al.	D7/665
D537,303 S *	2/2007	Stuckey	D7/665	2003/0061944 A1 *	4/2003	Fouquet	99/511
D538,115 S *	3/2007	Lin	D7/665	2006/0060091 A1 *	3/2006	Chang	99/511
D538,116 S *	3/2007	Siu	D7/665	2006/0086261 A1 *	4/2006	Cohen et al.	99/511
D540,127 S *	4/2007	Ye et al.	D7/665	2006/0191425 A1 *	8/2006	Chang	99/511
D566,486 S *	4/2008	Wu	D7/665	2009/0272280 A1 *	11/2009	Cheung et al.	99/513
D572,092 S *	7/2008	Since	D7/665	2010/0300307 A1 *	12/2010	Huang	99/511
7,481,155 B2 *	1/2009	Larsen	99/511	2011/0154997 A1 *	6/2011	Huang	99/508
				2012/0097051 A1 *	4/2012	Brenna et al.	99/503
				2012/0192728 A1 *	8/2012	Huang	99/511
				2013/0255511 A1 *	10/2013	Steiner	99/513

* cited by examiner

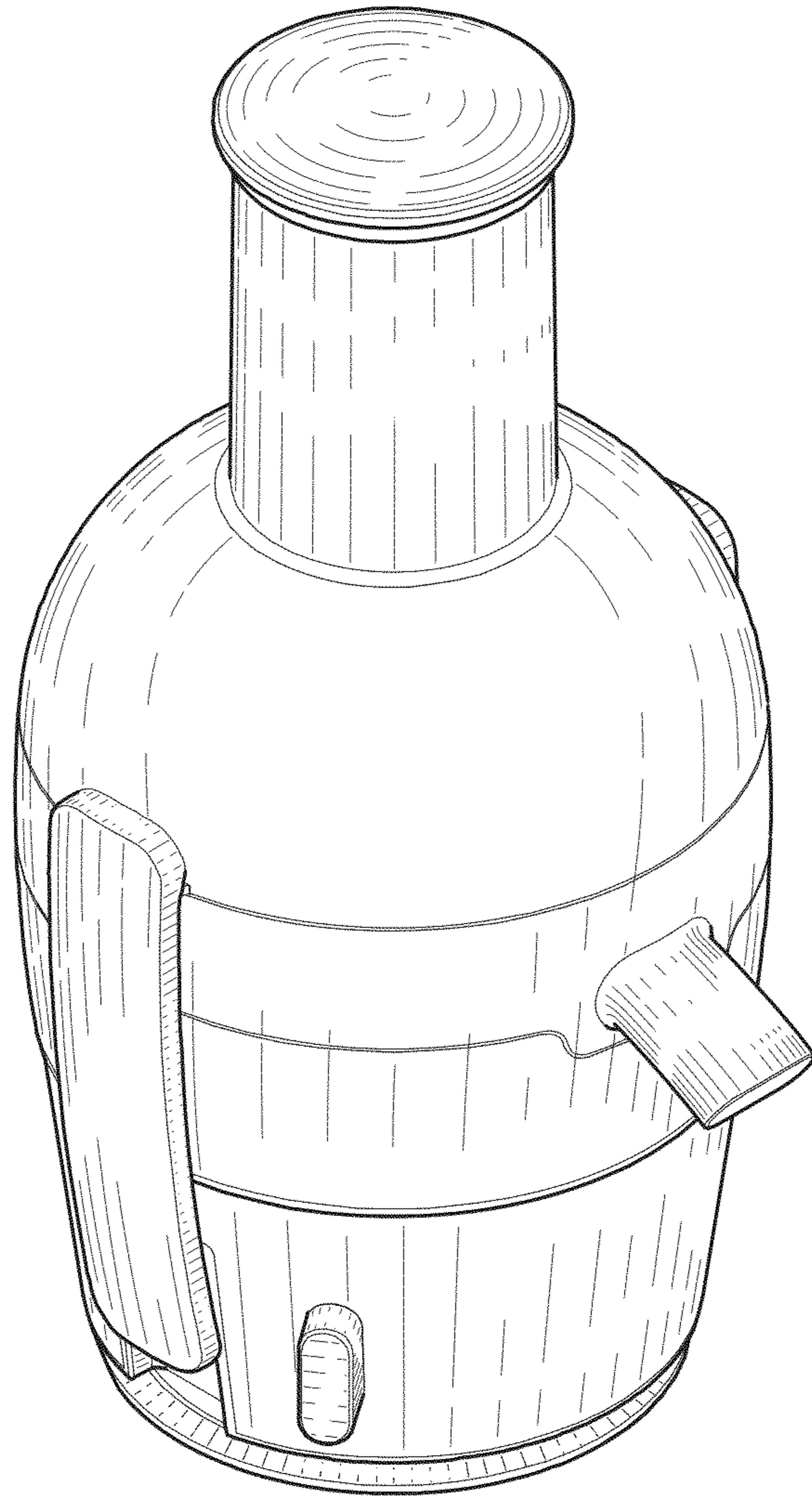


FIG. 1

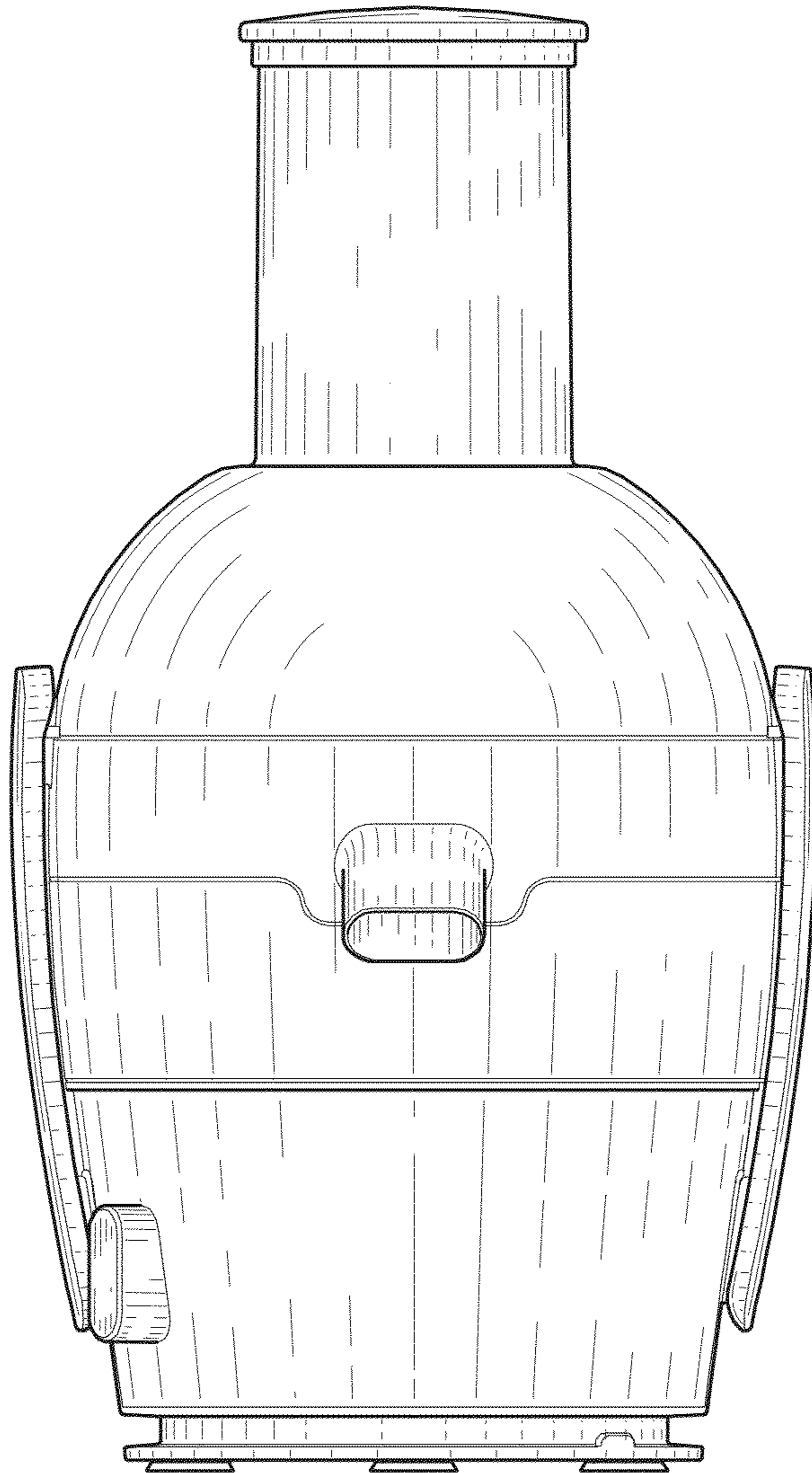


FIG. 2

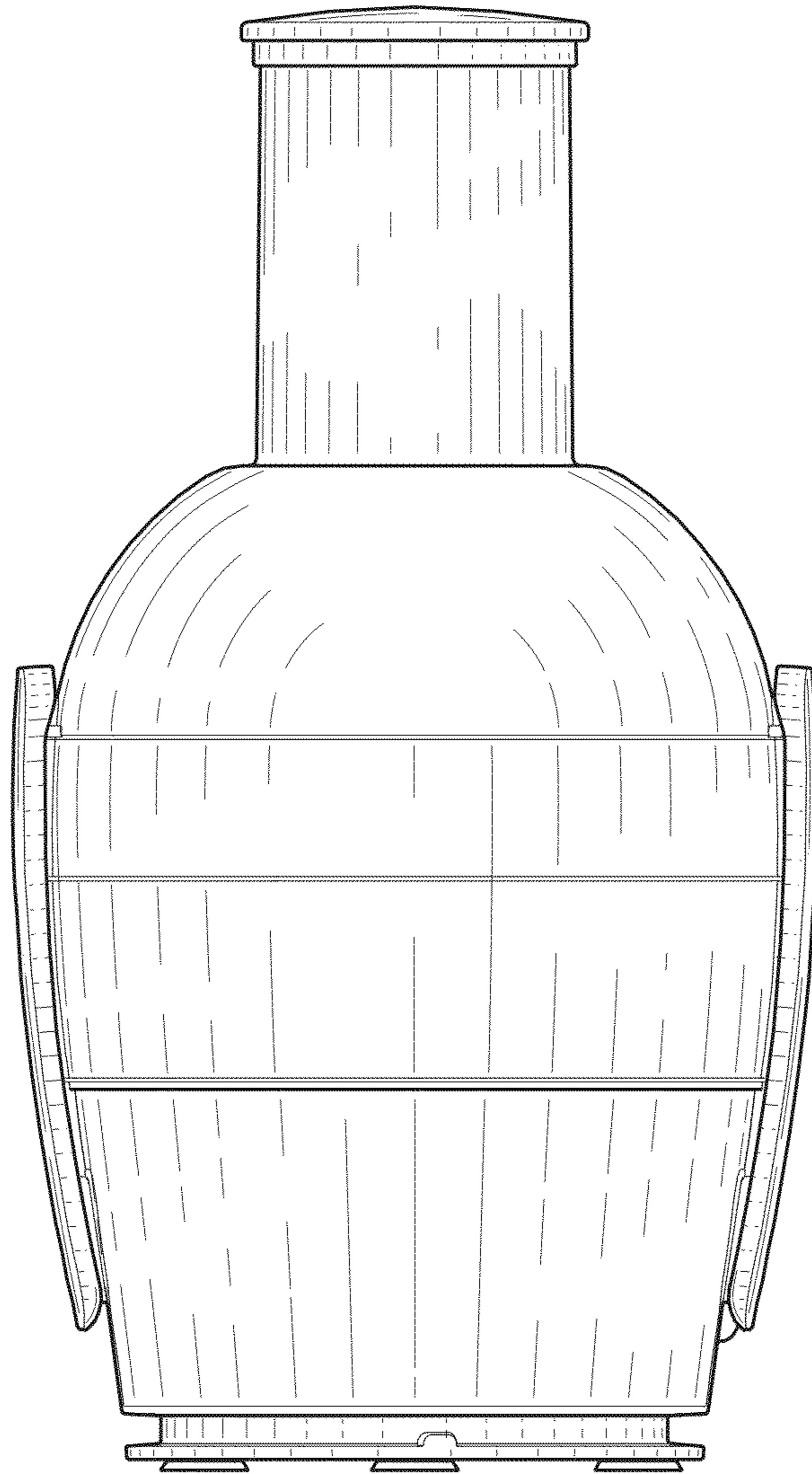


FIG. 3

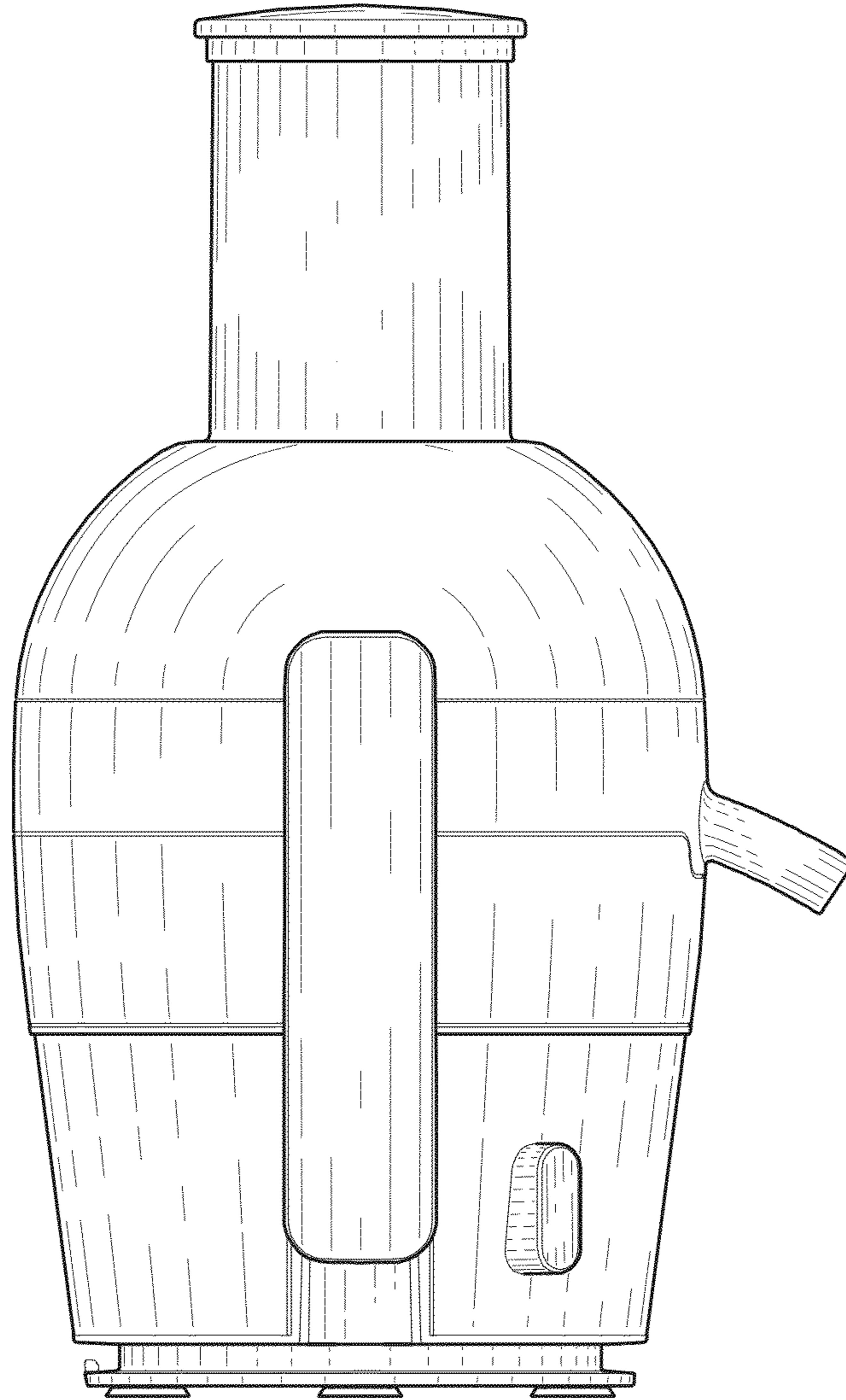


FIG. 4

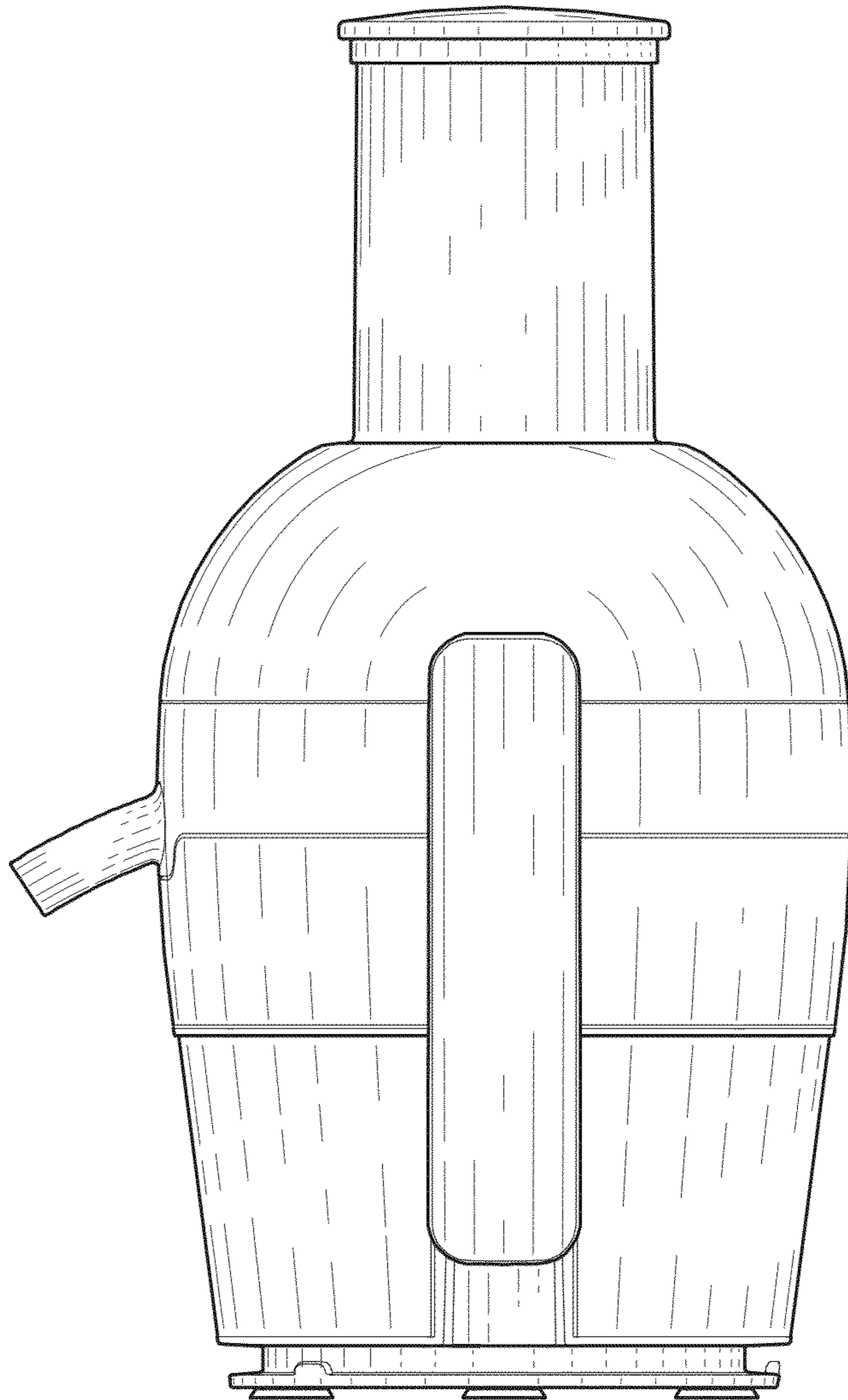


FIG. 5

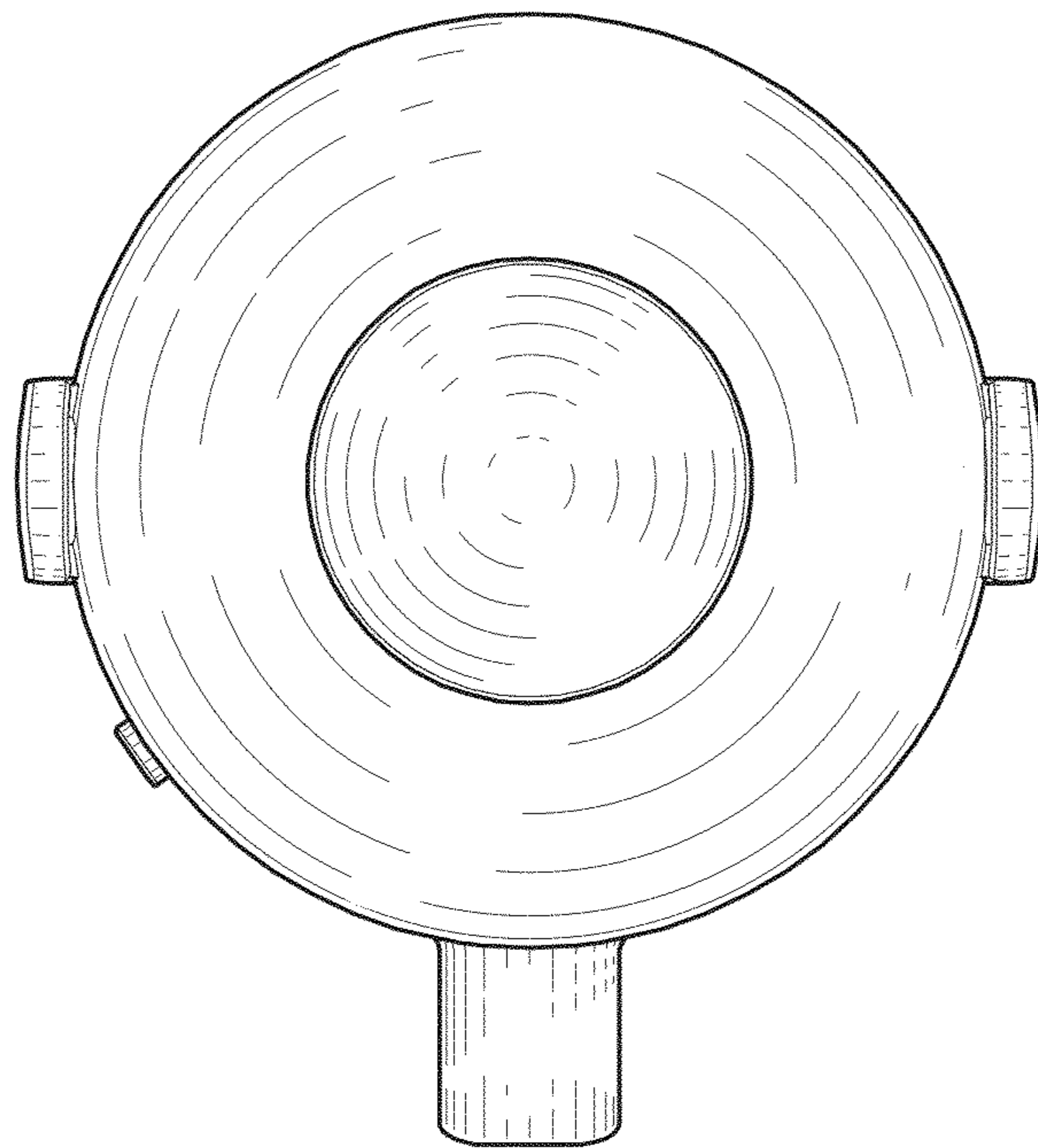


FIG. 6

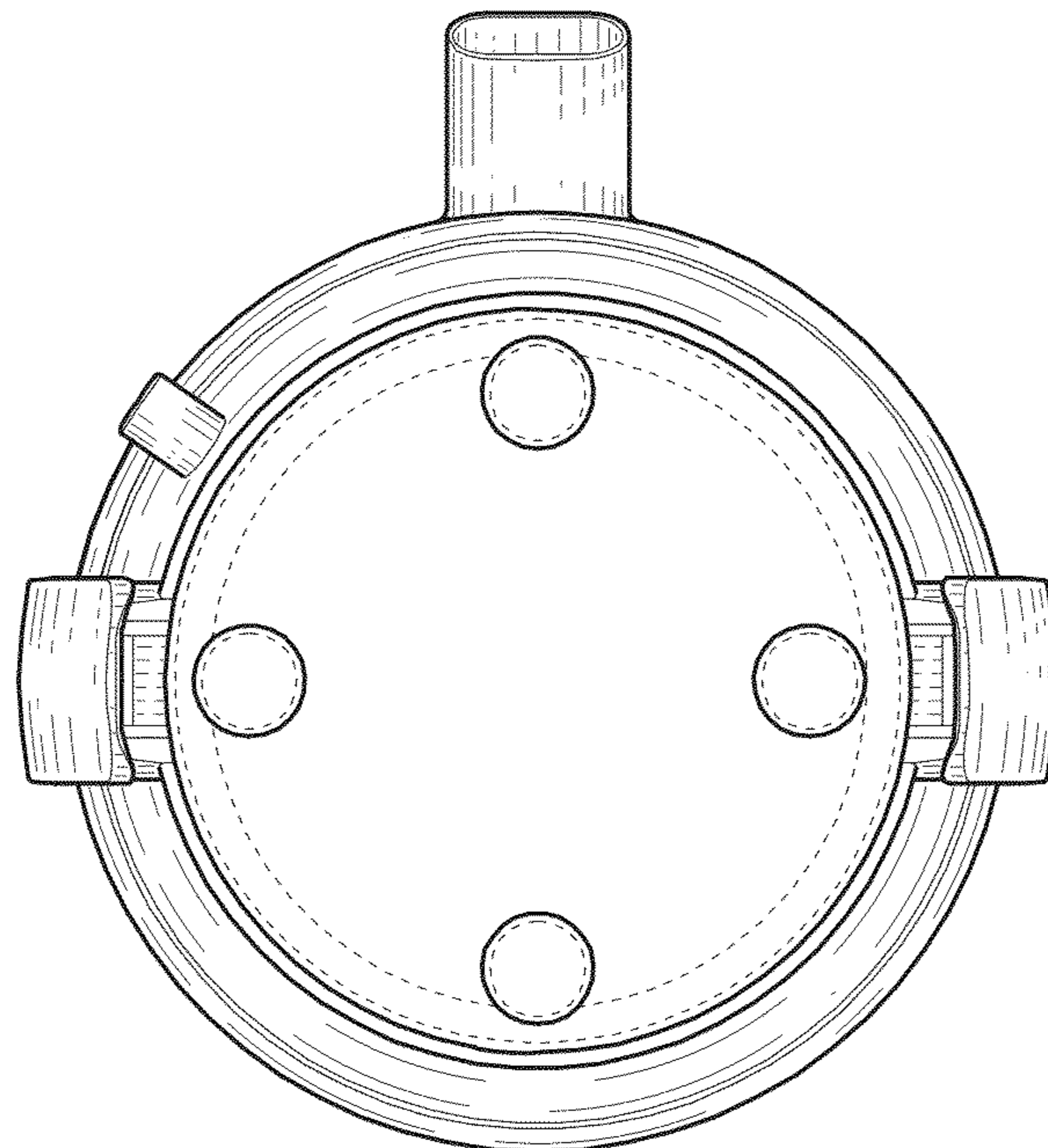


FIG. 7