

US00D710658S

(12) **United States Design Patent**
Chen

(10) **Patent No.:** **US D710,658 S**

(45) **Date of Patent:** **** Aug. 12, 2014**

(54) **KNIFE BLADE**

(71) Applicant: **Kuo-Chang Chen**, Tainan Hsien (TW)

(72) Inventor: **Kuo-Chang Chen**, Tainan Hsien (TW)

(**) Term: **14 Years**

(21) Appl. No.: **29/471,541**

(22) Filed: **Nov. 1, 2013**

(51) **LOC (10) Cl.** **07-03**

(52) **U.S. Cl.**
USPC **D7/649**; D7/401.2; D7/650

(58) **Field of Classification Search**
CPC . A47G 21/06; A47G 21/065; A61B 17/3211;
A61B 17/3213; B21D 53/64; B26B 1/00;
B26B 1/08; B26B 1/10; B26B 3/00; B26B
3/02; B26B 3/03; B26B 3/04; B26B 3/06;
B26B 5/00; B26B 5/001; B26B 5/007; B26B
7/00; B26B 7/005; B26B 9/00; B26B 9/02;
B26B 11/00; B26B 11/006; B26B 17/00;
B26B 17/006

USPC D7/393-395, 401.2, 642-652, 693,
D7/695-696; D8/93, 97-100, 107, 300,
D8/321; D22/117-118; 30/115, 136, 142,
30/147-149, 329, 340-345, 355; 76/104.1

See application file for complete search history.

(56) **References Cited**

U.S. PATENT DOCUMENTS

437,325	A *	9/1890	Barclay	30/355
2,803,876	A *	8/1957	Nelson	30/115
5,241,883	A *	9/1993	Coppier	76/104.1
D554,949	S *	11/2007	Hood	D7/650
D581,732	S *	12/2008	Epstein	D7/401.2
D694,072	S *	11/2013	Qin	D7/650

* cited by examiner

Primary Examiner — Ricky Pham

(74) *Attorney, Agent, or Firm* — Tutunjian & Bitetto, P.C.

(57) **CLAIM**

The ornamental design for a knife blade, as shown and described.

DESCRIPTION

FIG. 1 is a Left side view of the knife blade showing my new design, the Right side view being a mirror view of the Left side;

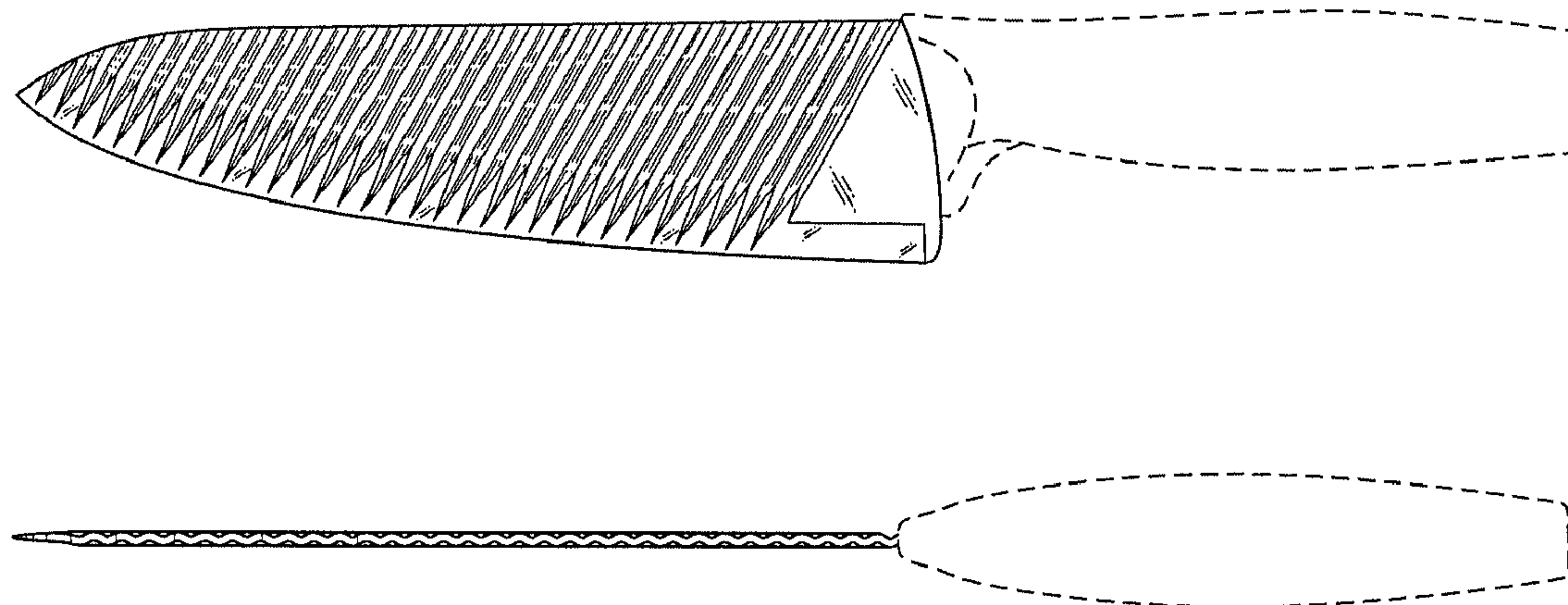
FIG. 2 is a Top side view thereof;

FIG. 3 is a Bottom view thereof; and,

FIG. 4 is a Front view thereof.

The broken lines shown in the drawings are for illustrative purposes only and form no part of the claimed design.

1 Claim, 1 Drawing Sheet



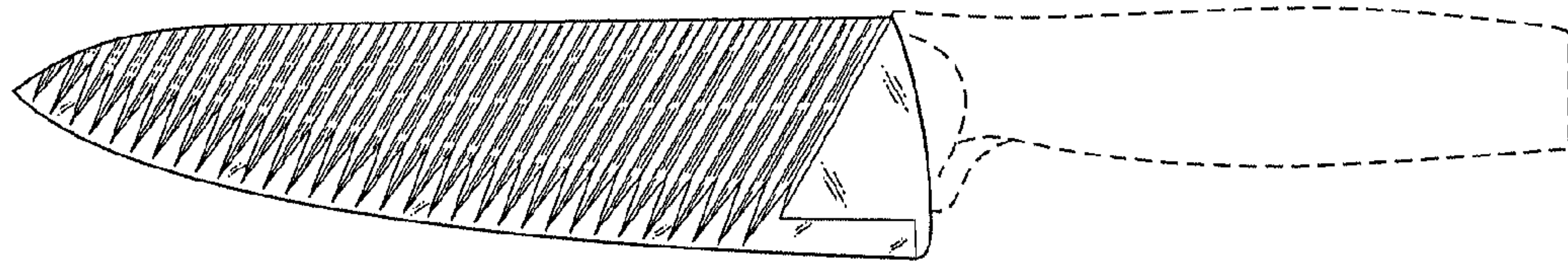


FIG. 1



FIG. 2

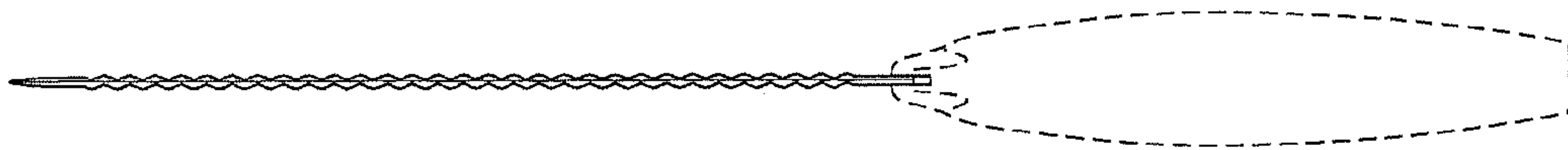


FIG. 3

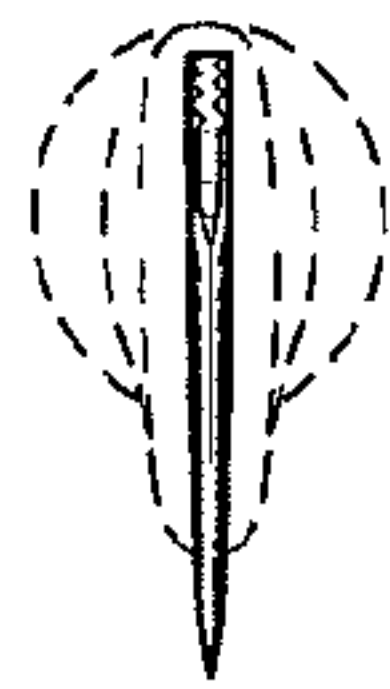


FIG. 4