



US00D710655S

(12) **United States Design Patent**
MacDonald

(10) **Patent No.:** **US D710,655 S**

(45) **Date of Patent:** **** Aug. 12, 2014**

(54) **CONTAINER WITH LID**

(71) Applicant: **Scott William MacDonald**, Meaford
(CA)

(72) Inventor: **Scott William MacDonald**, Meaford
(CA)

(73) Assignee: **Scott W. MacDonald**, Meaford-Ontario
(CA)

(**) Term: **14 Years**

(21) Appl. No.: **29/442,059**

(22) Filed: **Nov. 26, 2012**

(51) **LOC (10) Cl.** **07-01**

(52) **U.S. Cl.**
USPC **D7/628; D7/606**

(58) **Field of Classification Search**
USPC D7/603-608, 628, 629, 602, 538-542;
220/592.01, 592.2, 592.17, 592.16,
220/592.02, 592.03, 592.09, 915.1, 915.2;
62/457.1-457.9, 371, 372; D25/12

See application file for complete search history.

(56) **References Cited**

U.S. PATENT DOCUMENTS

D256,668 S *	9/1980	Amberg et al.	D9/636
D273,074 S *	3/1984	Mathieu	D7/605
D382,228 S *	8/1997	Snook	D11/157
6,698,141 B2 *	3/2004	Silberman et al.	52/6
D530,571 S *	10/2006	Hemann et al.	D7/606

* cited by examiner

Primary Examiner — Terry Wallace

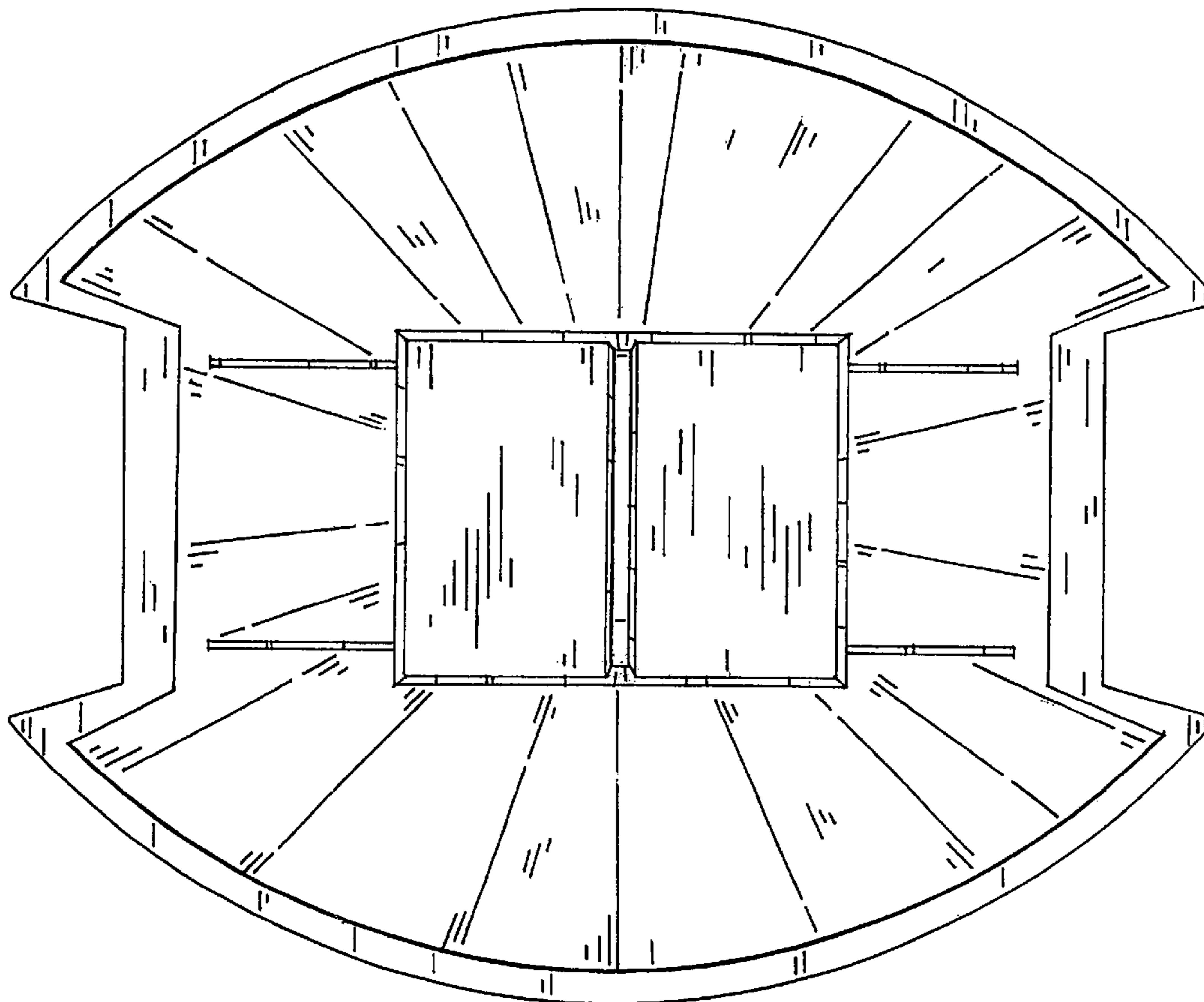
(57) **CLAIM**

The ornamental design for a container with lid, as shown.

DESCRIPTION

- FIG. 1—top view with lid on showing my new design
- FIG. 2—top view with lid off showing my new design
- FIG. 3—side view with lid off showing my new design
- FIG. 4—side view with lid on showing my new design
- FIG. 5—end view with lid off showing my new design
- FIG. 6—end view with lid on showing my new design
- FIG. 7—underside view showing my new design
- FIG. 8— $\frac{3}{4}$ view with lid off showing my new design; and,
- FIG. 9— $\frac{3}{4}$ view with lid on showing my new design.

1 Claim, 9 Drawing Sheets



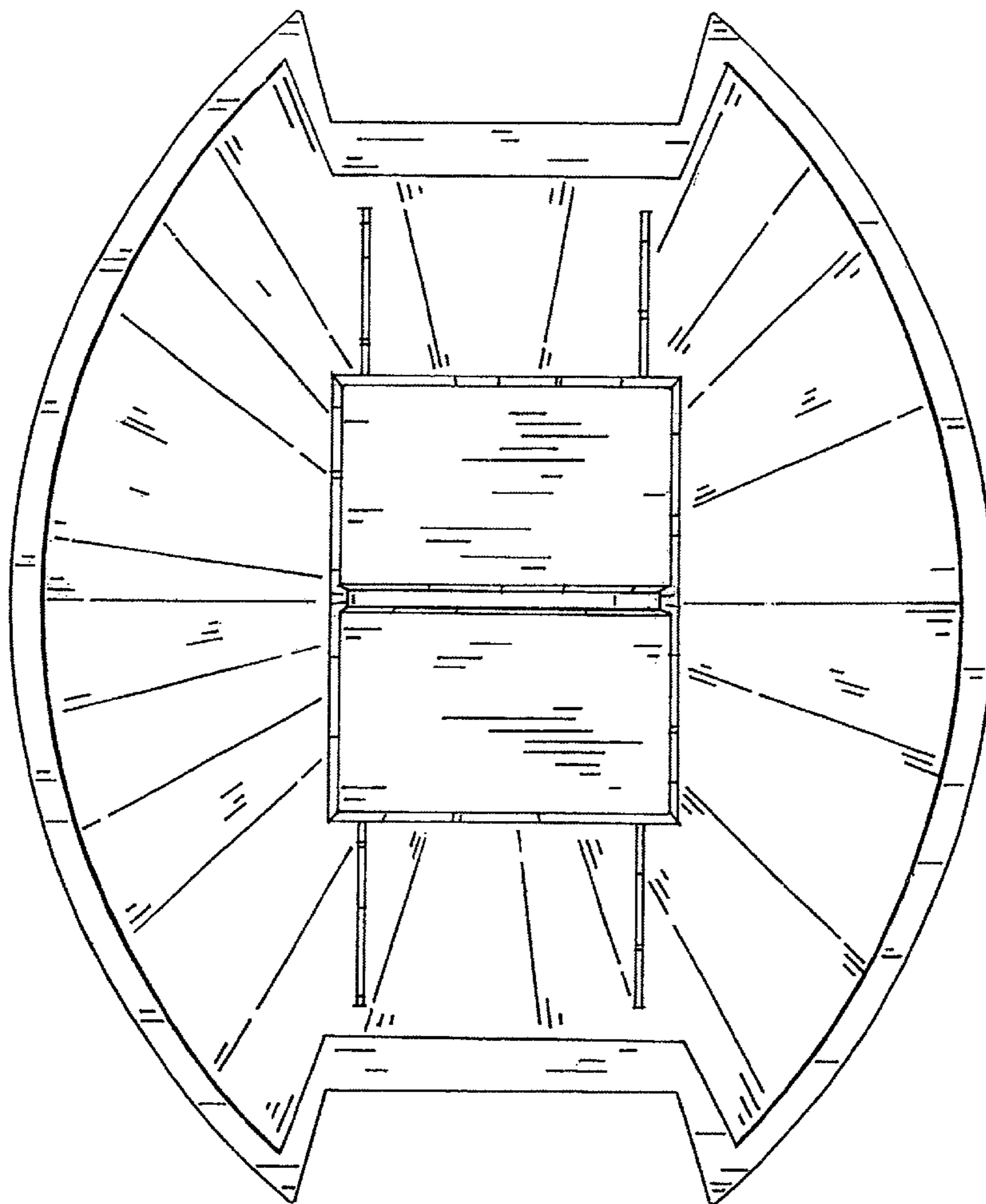


FIG. 1

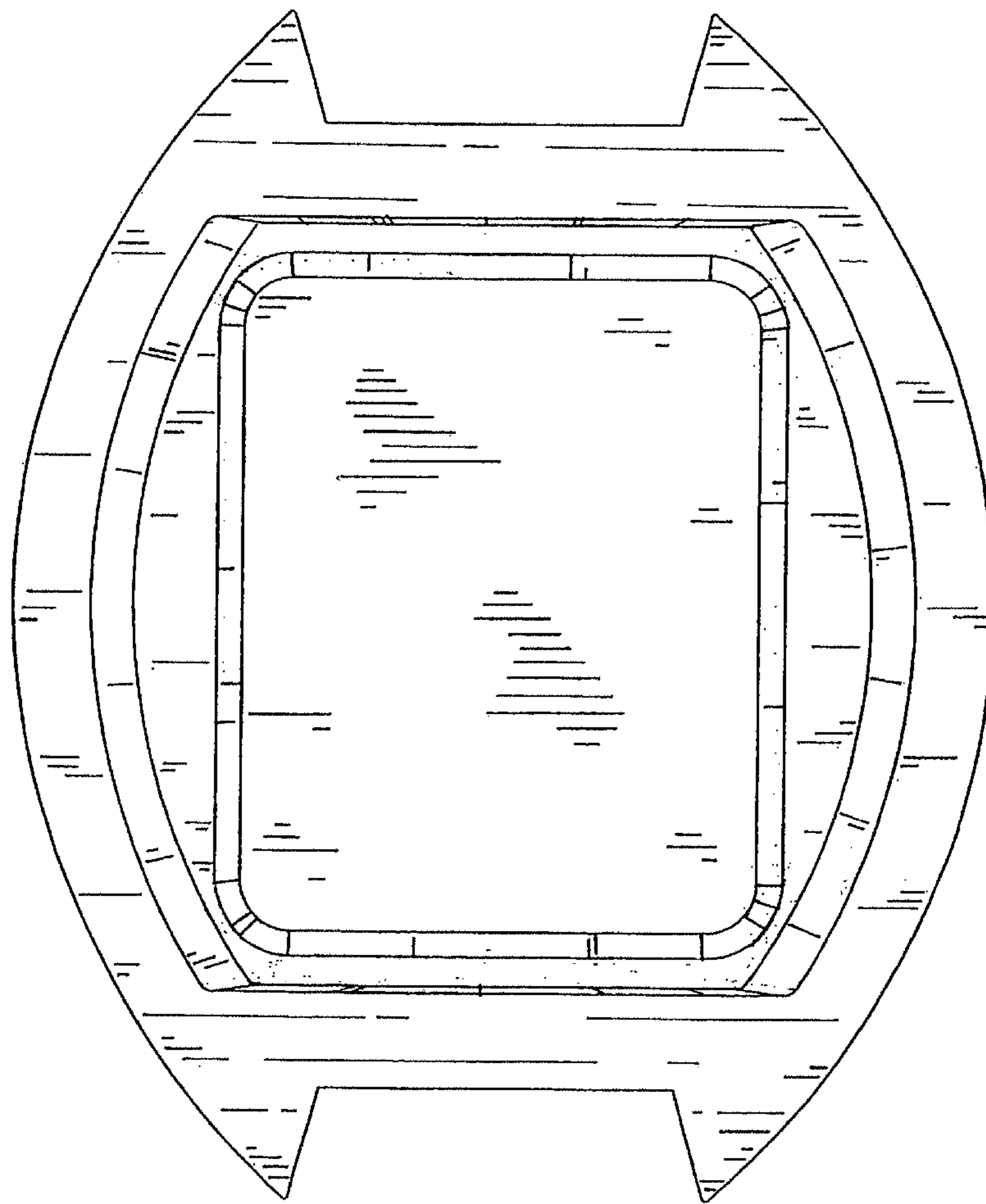


FIG. 2

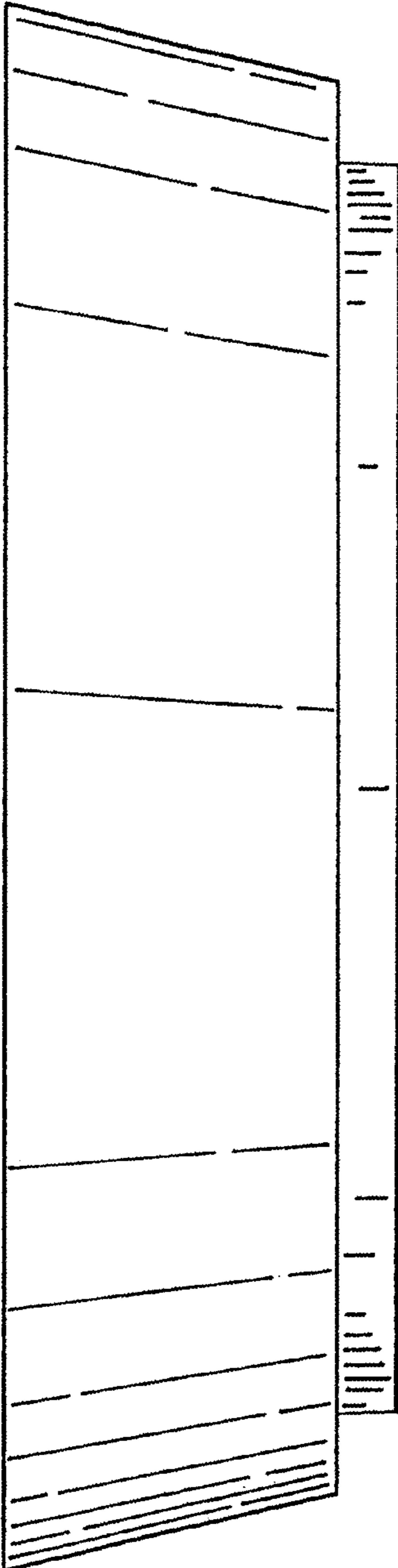


FIG. 3

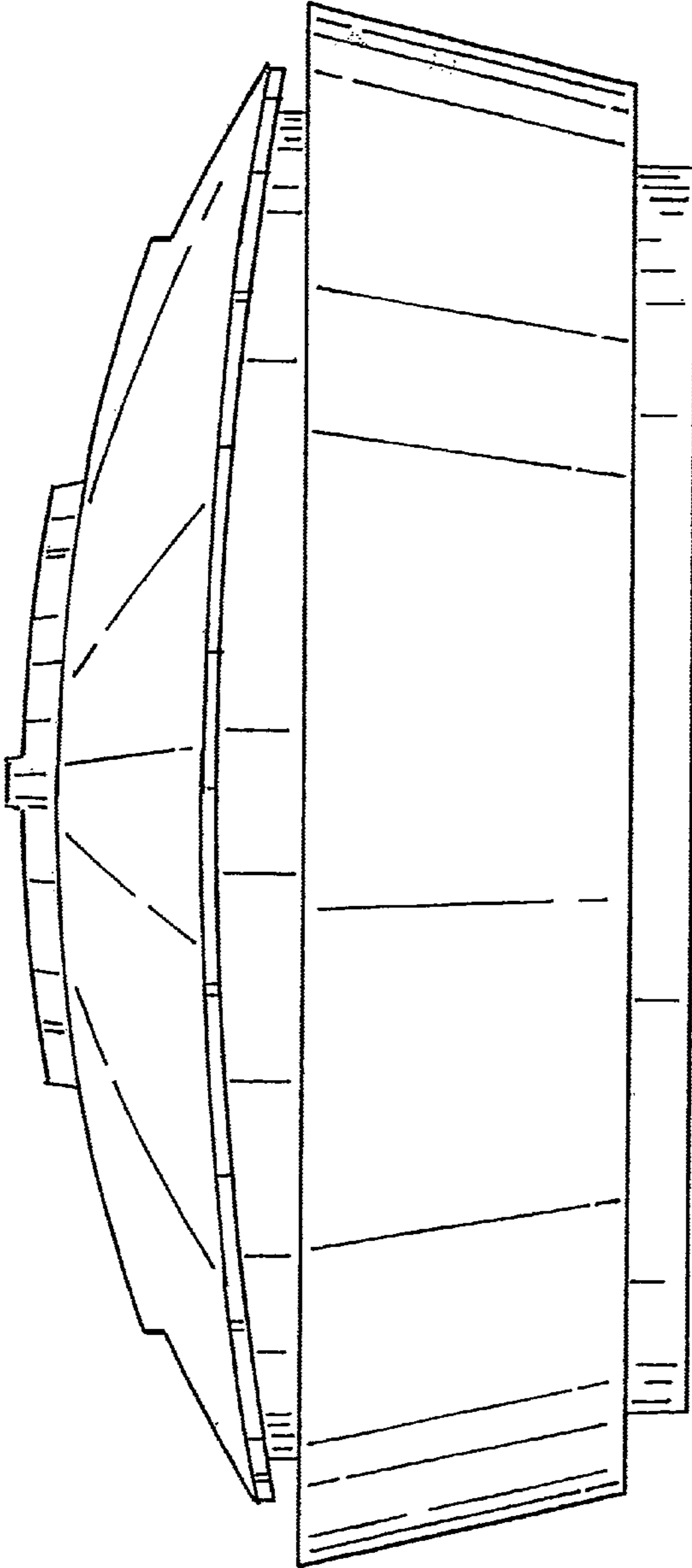
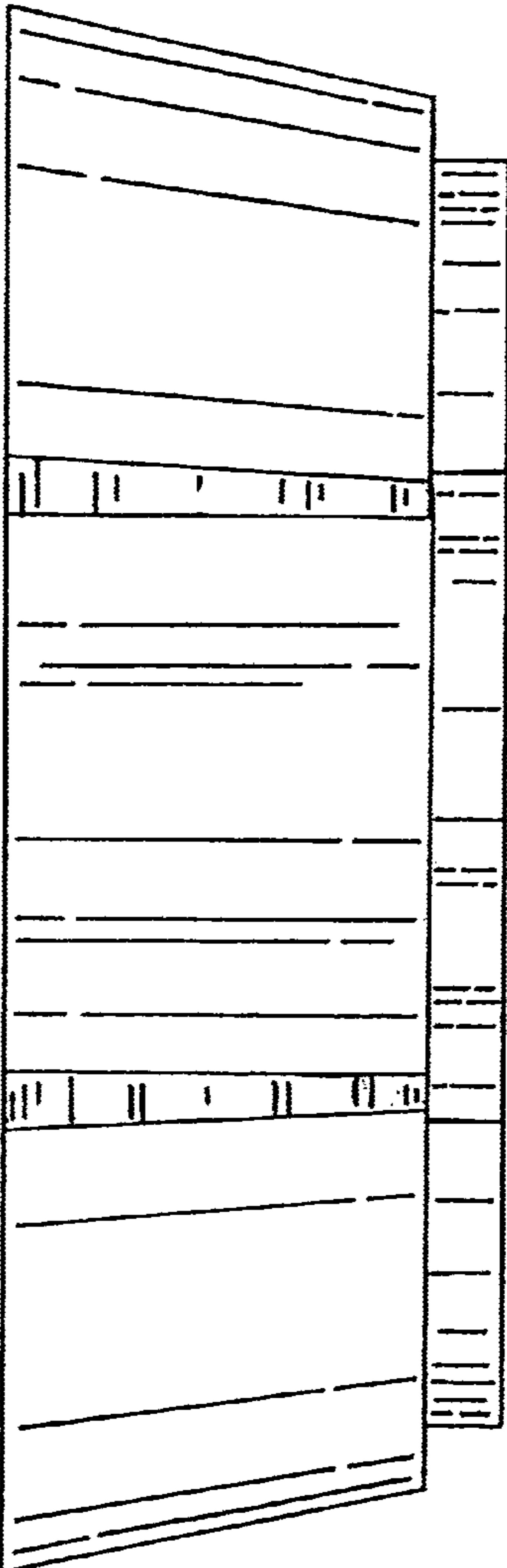


FIG. 4

FIG. 5



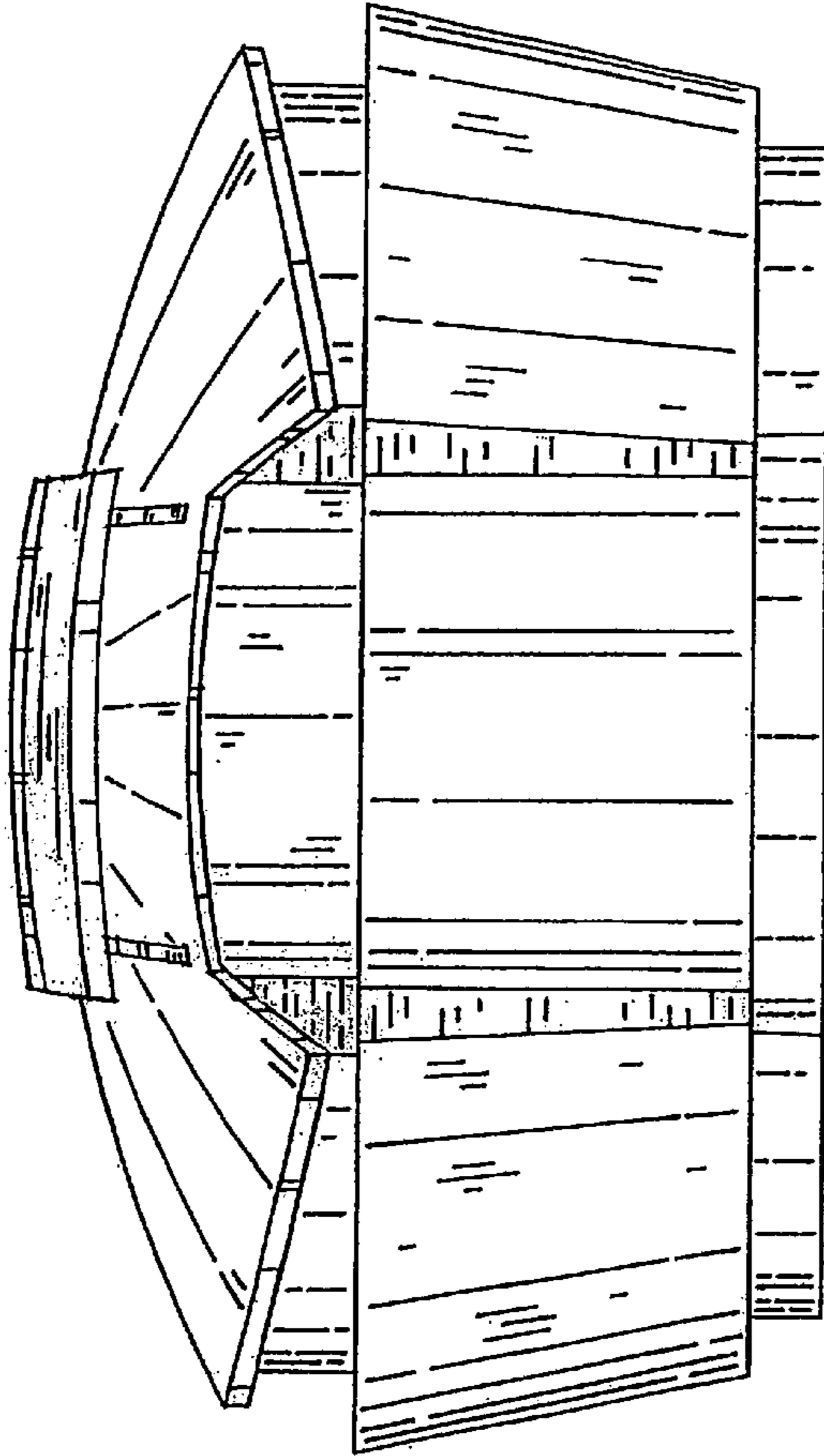


FIG. 6

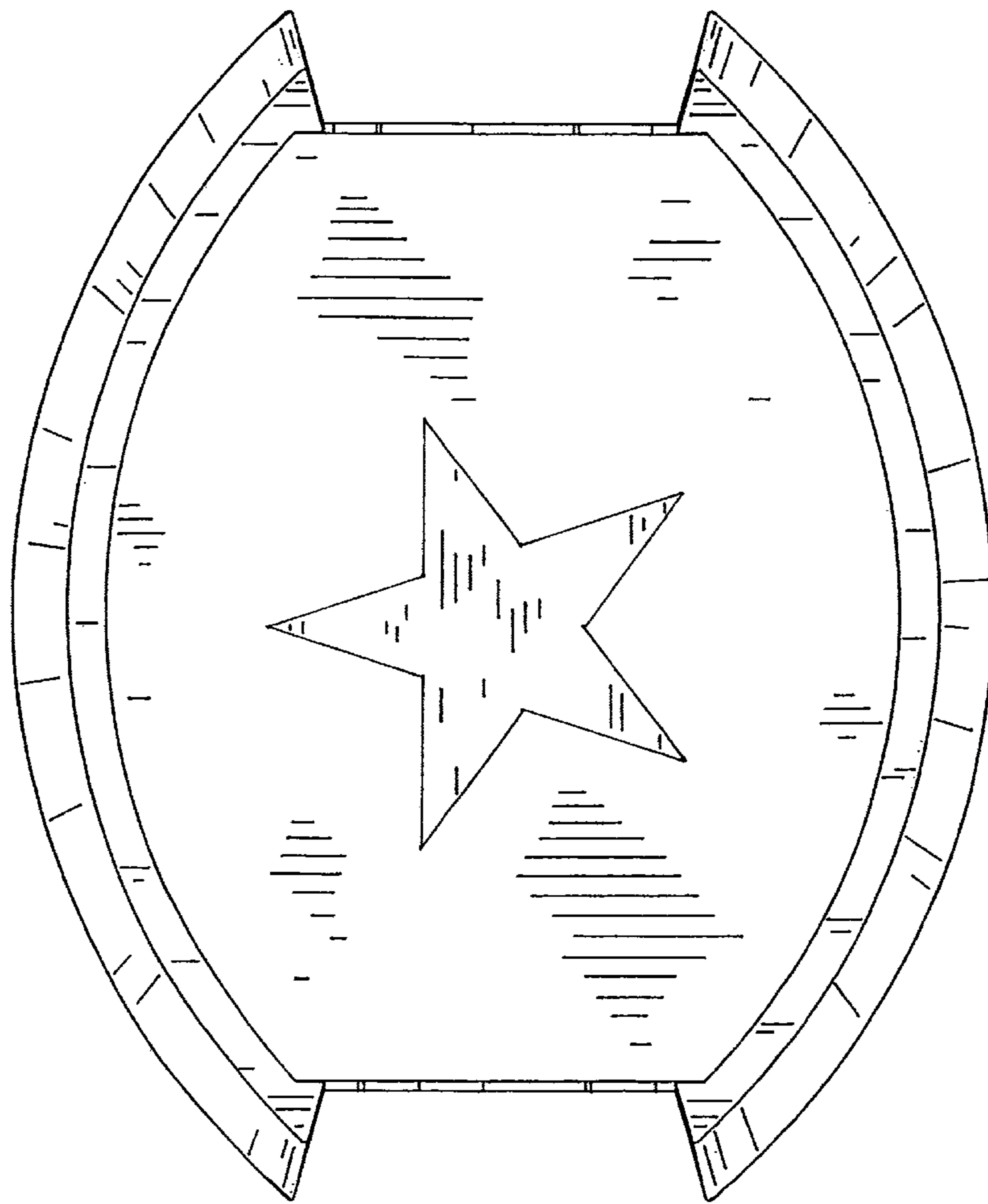


FIG. 7

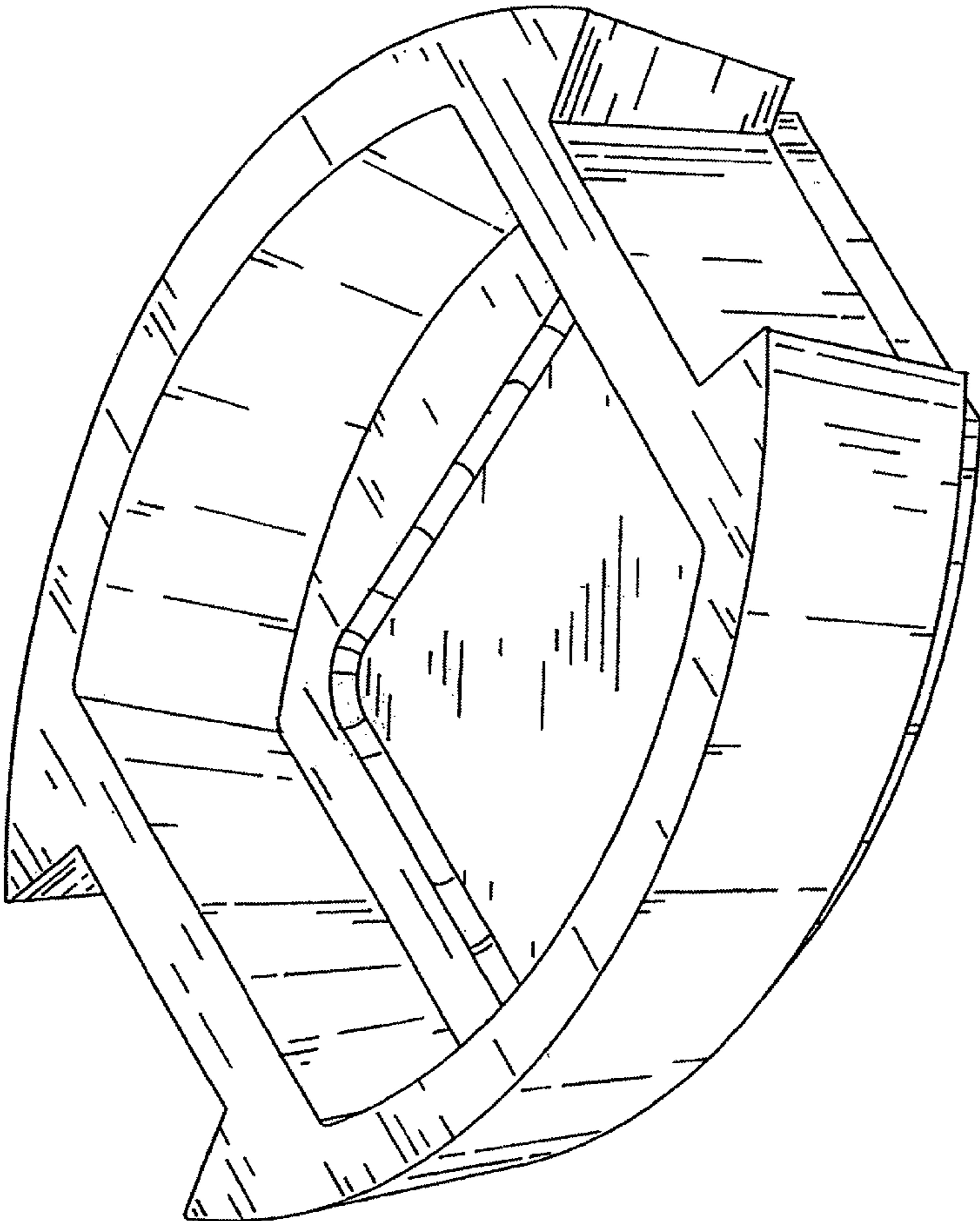


FIG. 8

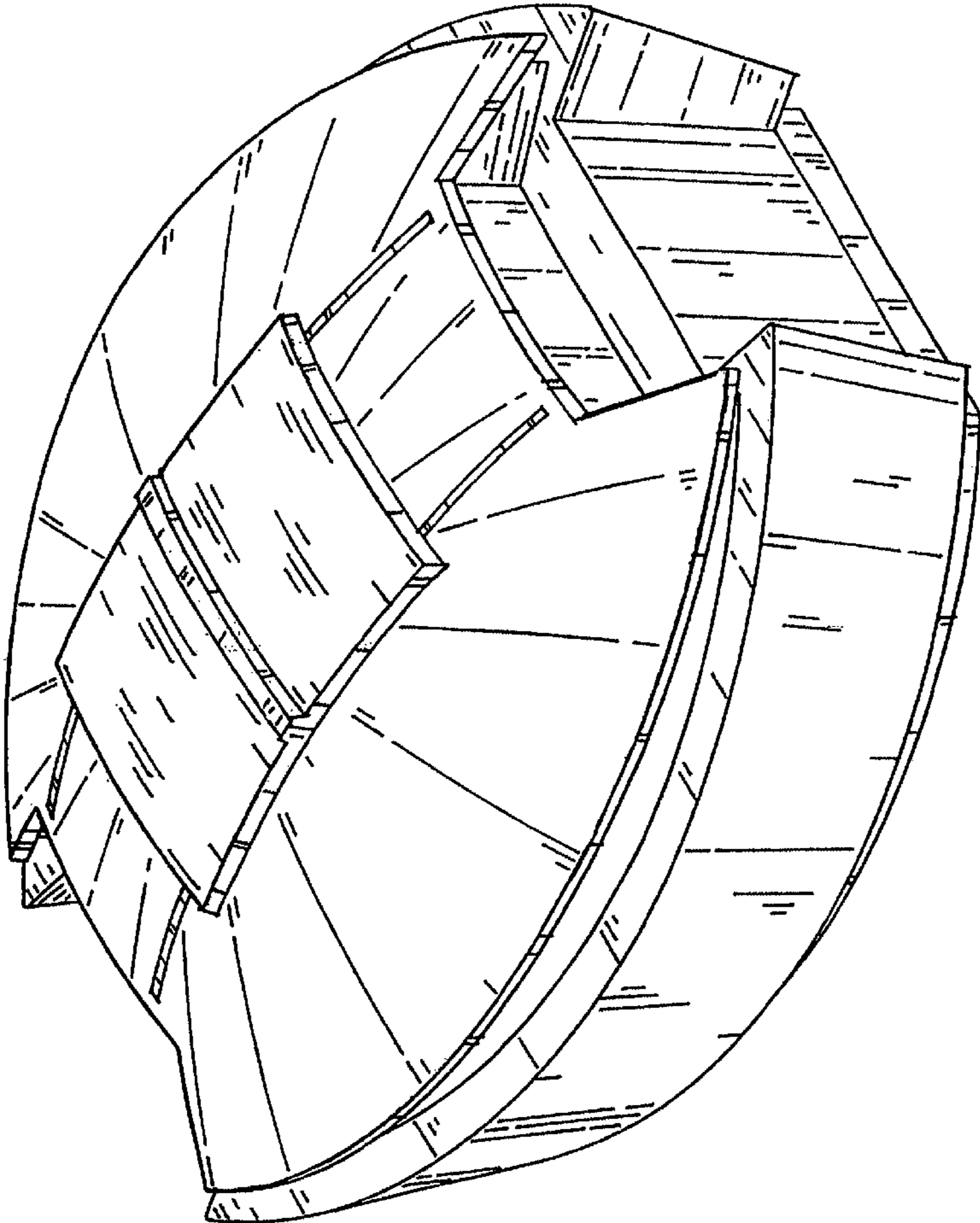


FIG. 9