



US00D710653S

(12) **United States Design Patent**
Goto et al.

(10) **Patent No.:** **US D710,653 S**
(45) **Date of Patent:** **** Aug. 12, 2014**

(54) **DRINK CONTAINER**

(71) Applicant: **Thermos K.K.**, Tsubame (JP)

(72) Inventors: **Norifumi Goto**, Ichinomiya (JP);
Nobuyuki Kitamura, Kyoto (JP)

(73) Assignee: **Thermos K.K.**, Tsubame-Shi,
Niigata-Ken (JP)

(**) Term: **14 Years**

(21) Appl. No.: **29/439,115**

(22) Filed: **Dec. 6, 2012**

(30) **Foreign Application Priority Data**

Jun. 8, 2012 (JP) 2012-013632

(51) **LOC (10) CL.** **07-01**

(52) **U.S. CL.**
USPC **D7/608**

(58) **Field of Classification Search**
USPC D7/300, 305, 312, 313, 605–608, 500,
D7/503, 504, 509, 510, 511, 591, 629, 710,
D7/314–322, 533, 536; D9/529, 521, 688,
D9/689, 523, 516, 538, 502, 503, 500, 504,
D9/667; 62/457.1–457.8, 386, 372, 374;
215/13.1, 378, 386, 12.1, 12.2, 6,
215/392–398; 206/216, 217, 223, 547;
220/412, 465, 444, 902, 714, 596.16,
220/592.17, 592.22, 592.23, 592.27, 703,
220/711, 715, 737–740; 222/131, 396
See application file for complete search history.

(56) **References Cited**

U.S. PATENT DOCUMENTS

D274,685 S * 7/1984 Ohmoto D7/313
D296,975 S * 8/1988 Nakagawa et al. D7/320
4,932,225 A * 6/1990 Bighouse 62/457.4
D378,652 S * 4/1997 Yamanaka et al. D7/608

D455,611 S * 4/2002 Kitamura et al. D7/608
D474,376 S * 5/2003 Kitamura et al. D7/608
D485,132 S * 1/2004 Ohno et al. D7/608
D538,110 S * 3/2007 Kitamura et al. D7/608
D553,914 S * 10/2007 Wahl D7/608
D587,533 S * 3/2009 Carreno D7/608
D590,661 S * 4/2009 Kitamura et al. D7/510
D592,012 S * 5/2009 Carreno D7/510
D596,460 S * 7/2009 Nezu D7/510
D619,417 S * 7/2010 Goto et al. D7/510
D619,418 S * 7/2010 Nezu et al. D7/510
D628,018 S * 11/2010 Gilbert D7/608
D630,062 S * 1/2011 Carreno D7/608
7,954,666 B2 * 6/2011 Webster et al. 222/51
D655,580 S * 3/2012 Kotani D7/608
D655,581 S * 3/2012 Kotani D7/608
D675,060 S * 1/2013 Lane D7/392.1

(Continued)

Primary Examiner — Ian Simmons

Assistant Examiner — Shannon Morgan

(74) *Attorney, Agent, or Firm* — McDermott Will & Emery
LLP

(57) **CLAIM**

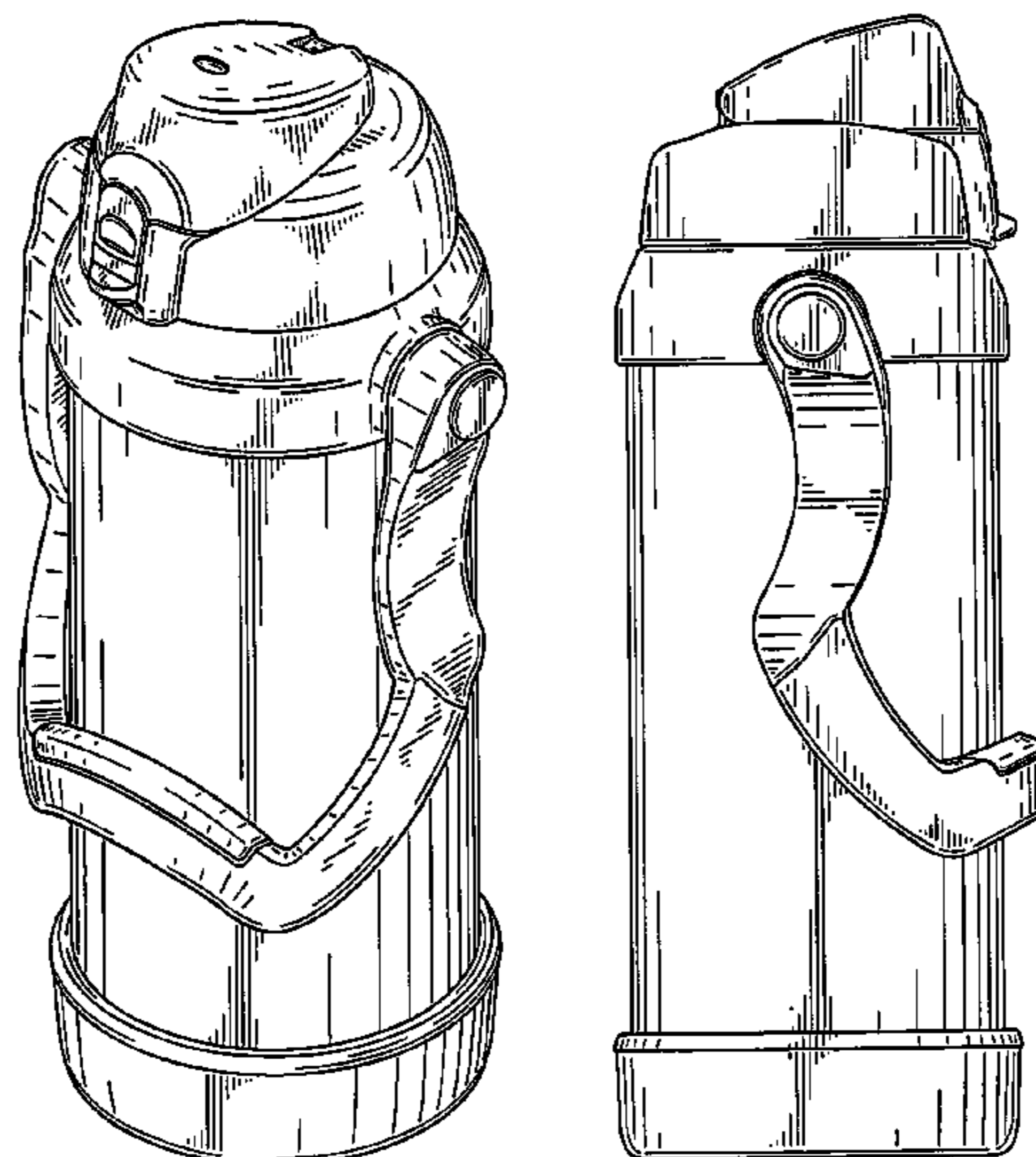
The ornamental design for a drink container, as shown and described.

DESCRIPTION

FIG. 1 is a top, front, right perspective view of a drink container showing our new design;
FIG. 2 is a front elevational view thereof;
FIG. 3 is a rear elevational view thereof;
FIG. 4 is a top plan view thereof;
FIG. 5 is a bottom plan view thereof;
FIG. 6 is a left side elevational view thereof; the right side being an identical mirror image thereof; and,
FIG. 7 is a cross-sectional view thereof taken along line 7-7 of FIG. 2.

The broken lines in FIG. 7 of the drink container are for the purpose of illustrating environment, and form no part of the claimed design.

1 Claim, 6 Drawing Sheets



US D710,653 S

Page 2

(56)

References Cited

U.S. PATENT DOCUMENTS

				8,550,269 B2 *	10/2013	Lane	215/229
				D695,069 S *	12/2013	Lane	D7/510
				2013/0319966 A1 *	12/2013	Lane	215/237
D676,708 S *	2/2013	Lane					D7/510
D690,558 S *	10/2013	Lane					D7/510

* cited by examiner

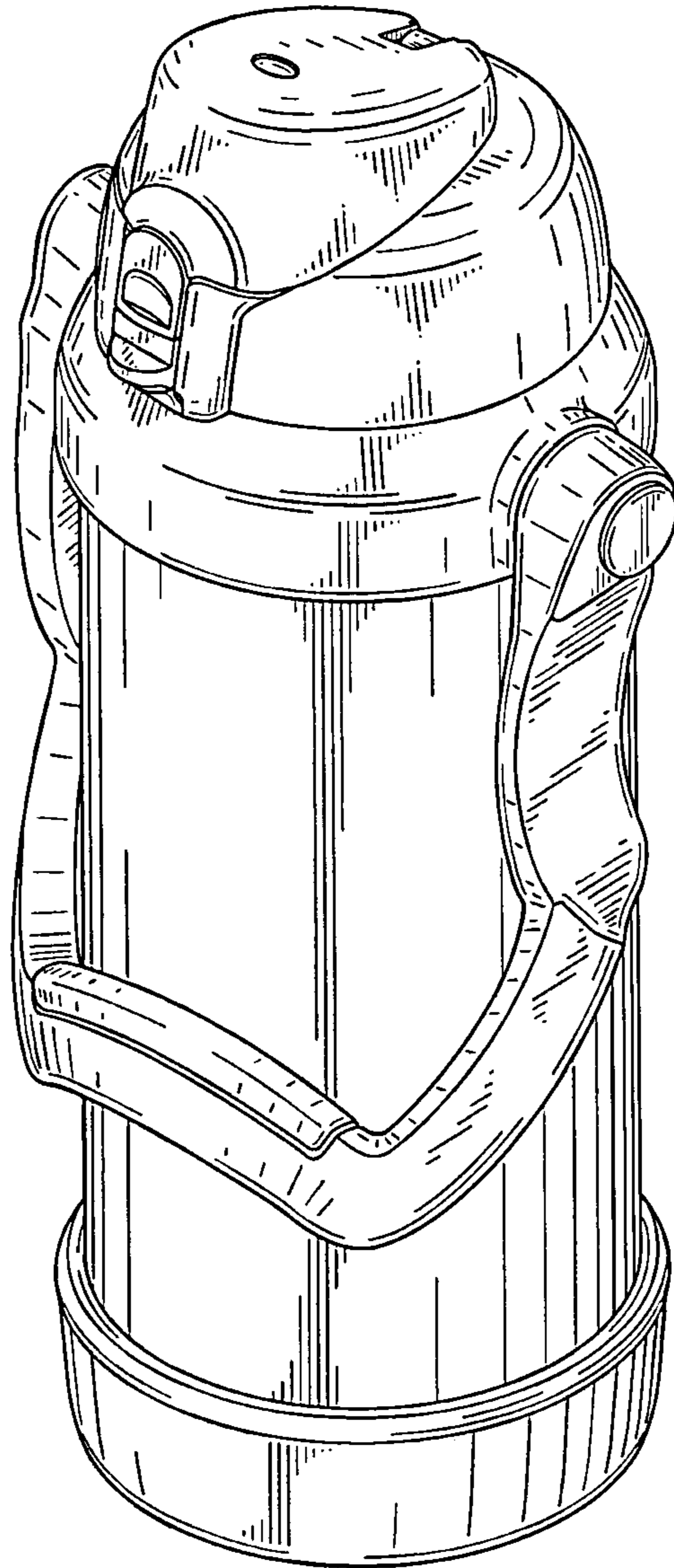


FIG. 1

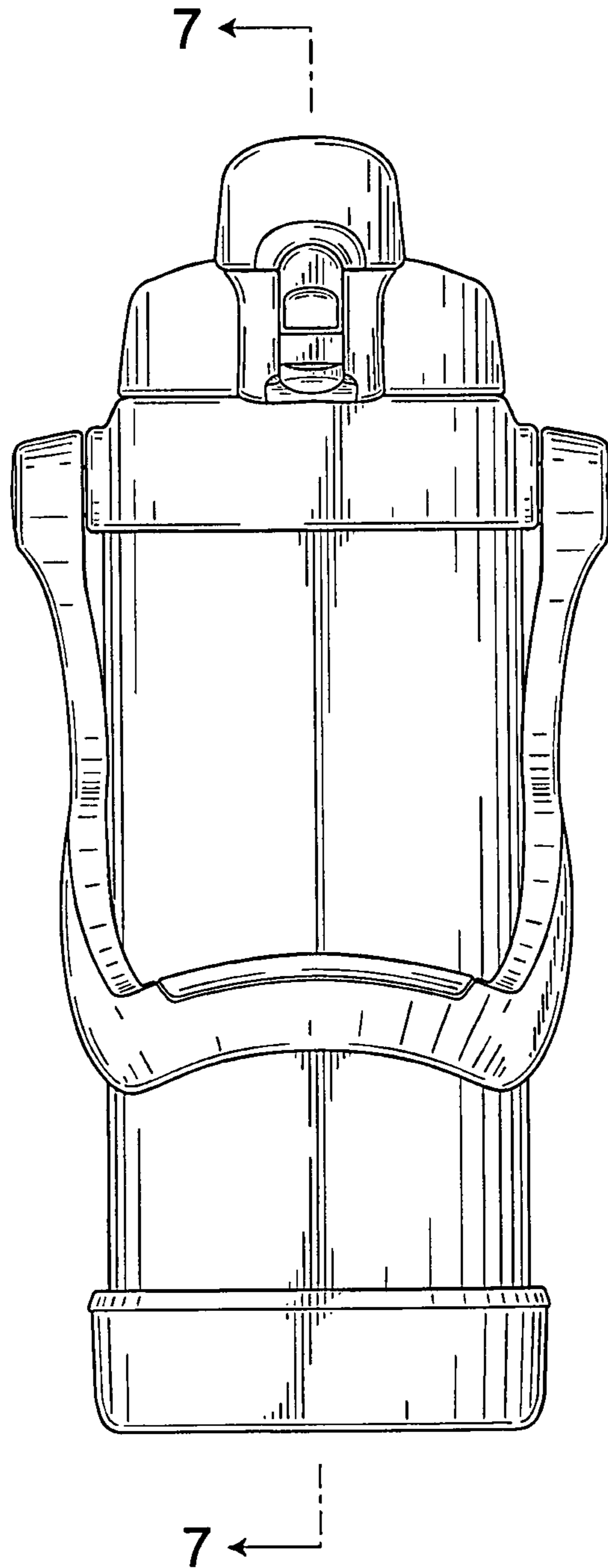


FIG.2

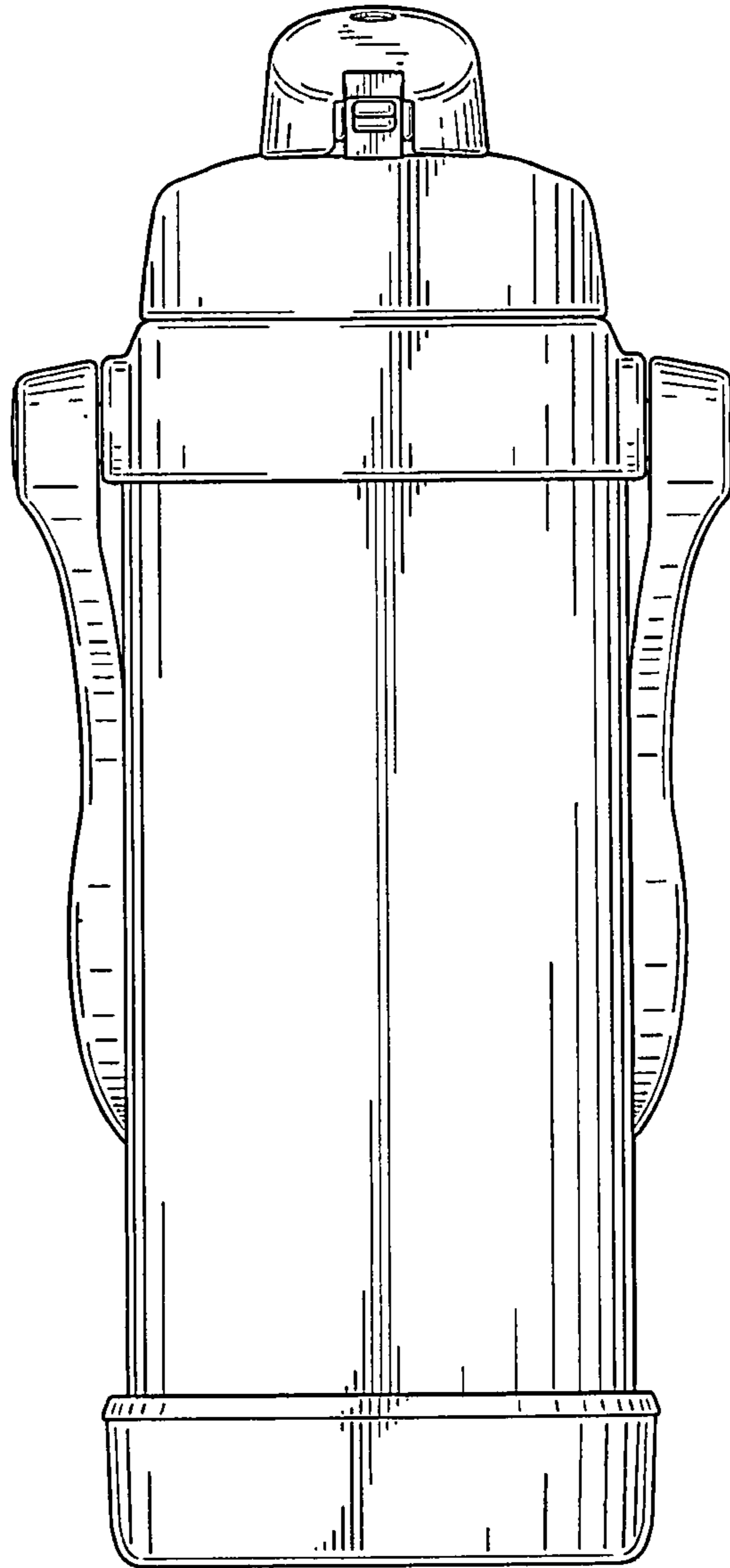


FIG.3

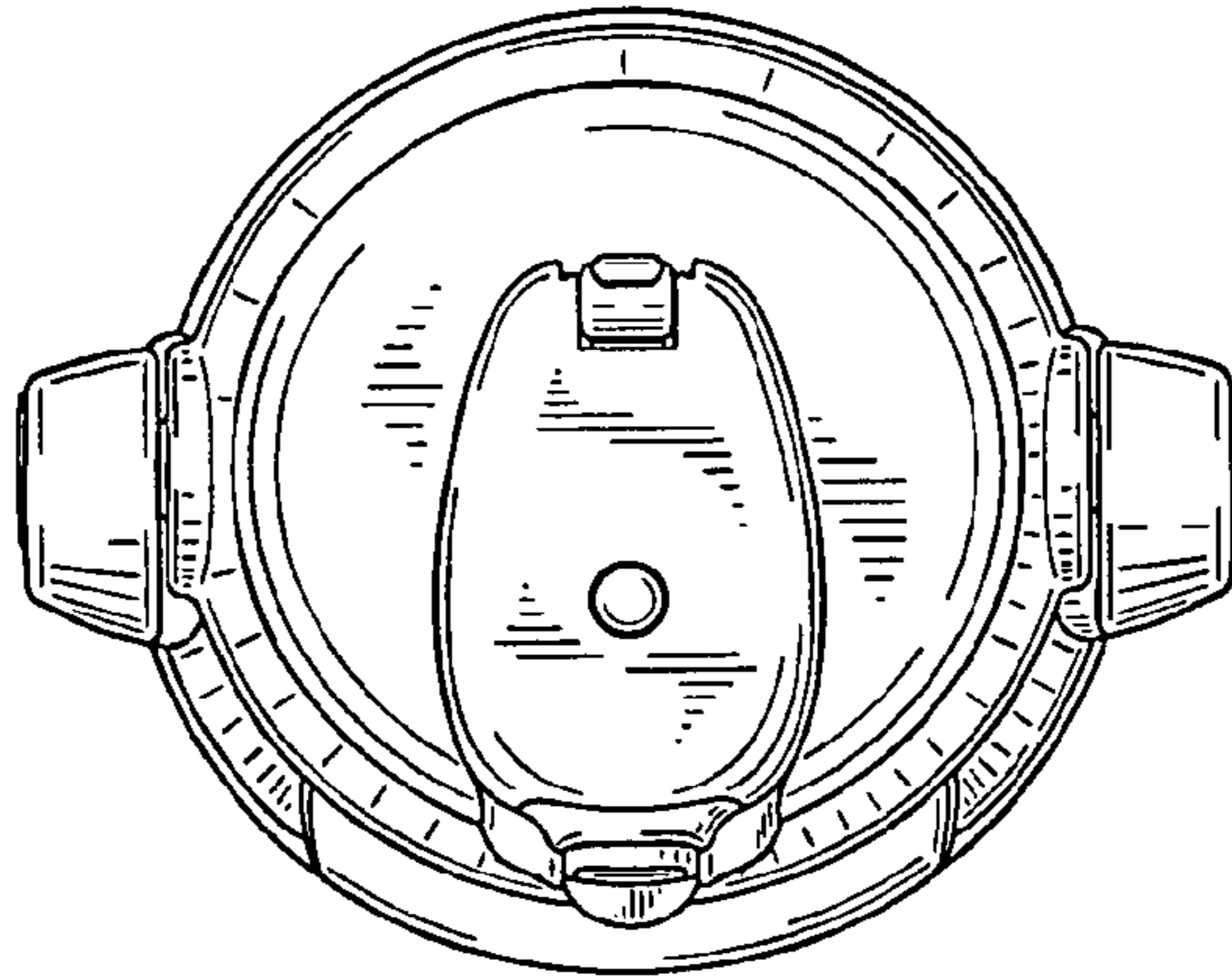


FIG. 4

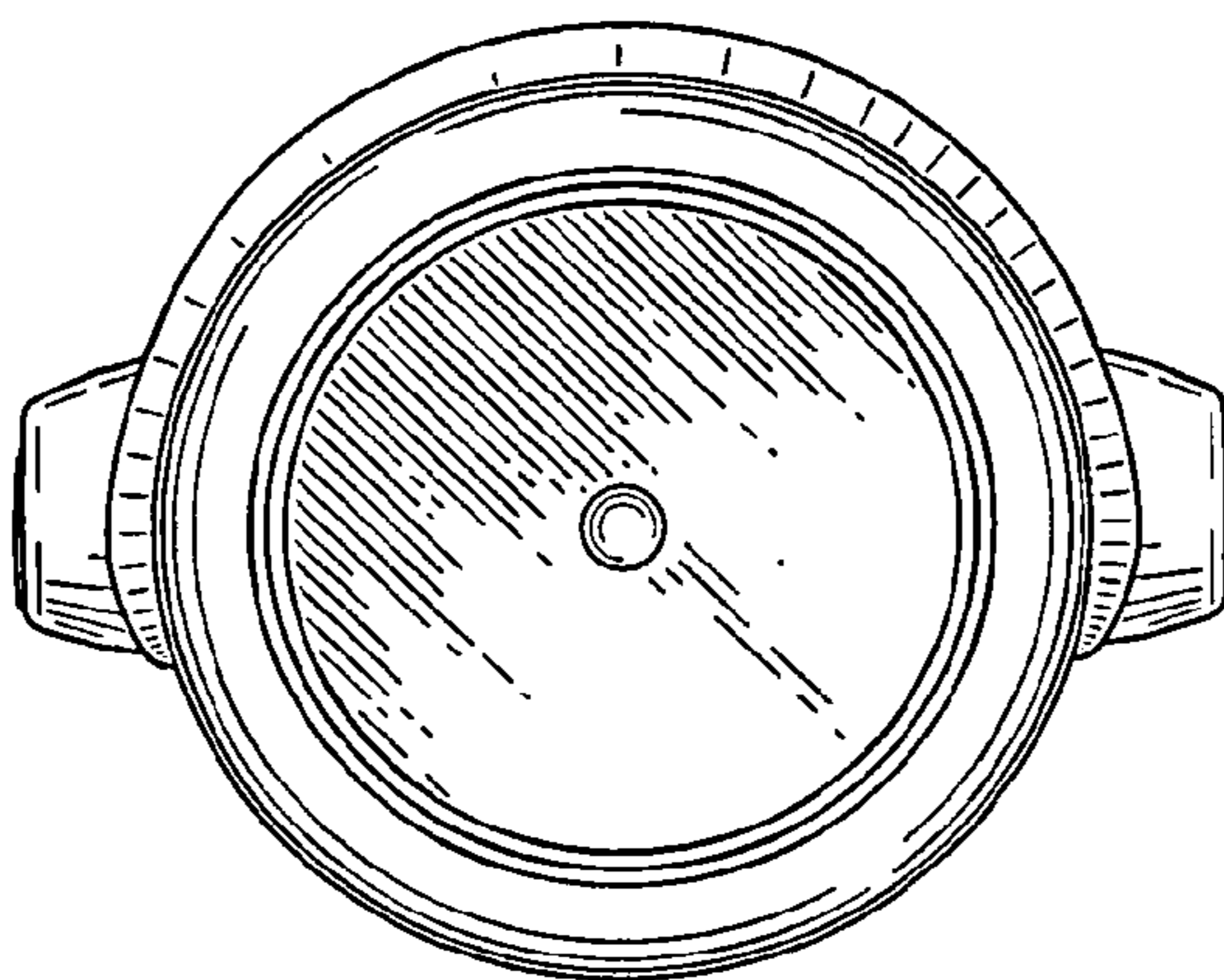


FIG. 5

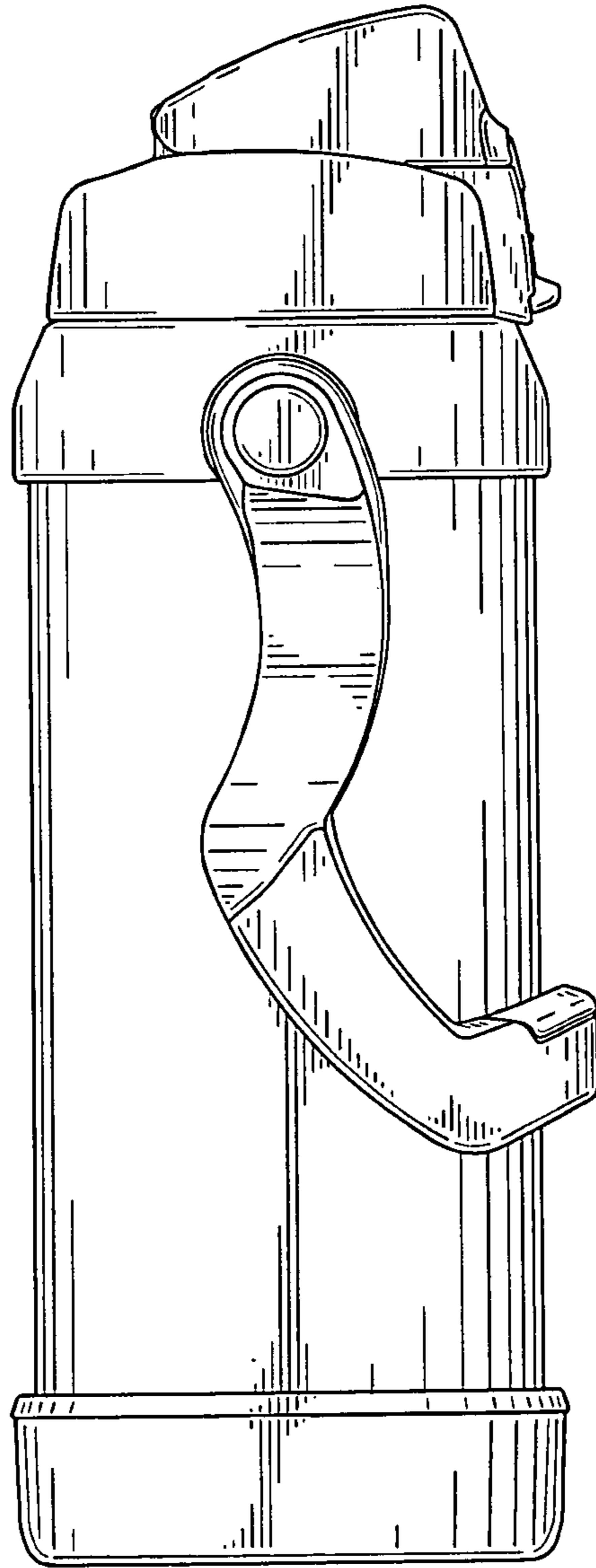


FIG.6

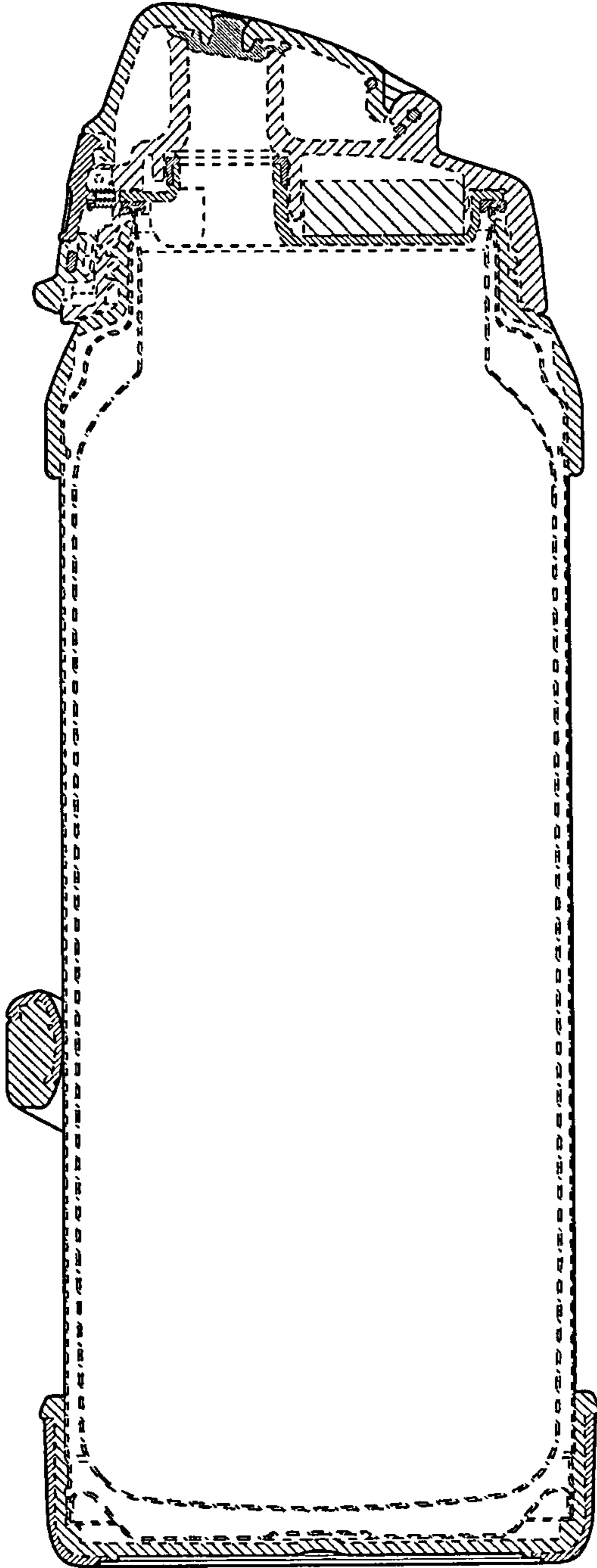


FIG. 7