



US00D710652S

(12) **United States Design Patent**
Marzotto

(10) **Patent No.:** **US D710,652 S**

(45) **Date of Patent:** **** Aug. 12, 2014**

(54) **CHAMPAGNE BUCKET**

(71) Applicant: **Ca' Del Bosco S.r.l. Società Agricola,**
Brescia (IT)

(72) Inventor: **Luca Marzotto,** Brescia (IT)

(73) Assignee: **Ca' Del Bosco S.r.l. Società Agricola,**
Brescia (IT)

(**) Term: **14 Years**

(21) Appl. No.: **29/462,387**

(22) Filed: **Aug. 2, 2013**

(30) **Foreign Application Priority Data**

Feb. 25, 2013 (WO) 722272001

(51) **LOC (10) Cl.** **07-01**

(52) **U.S. Cl.**
USPC **D7/603; D7/602**

(58) **Field of Classification Search**
CPC F25D 31/007
USPC D7/603, 604, 602, 629, 630, 538-549,
D7/584, 586, 587; 62/457.1-457.9, 371,
62/372; 220/915.1, 915.2, 592.16, 592.2,
220/592.25, 595.27; 215/12.1, 12.2, 13.1

See application file for complete search history.

(56) **References Cited**

U.S. PATENT DOCUMENTS

D285,515 S *	9/1986	Papciak	D7/509
D482,934 S *	12/2003	Liu	D7/602
D557,991 S *	12/2007	Hong	D7/603
D598,715 S *	8/2009	Foss	D7/602
D621,223 S *	8/2010	Bas	D7/603
D634,165 S *	3/2011	Yang	D7/603
2006/0112722 A1 *	6/2006	Bianco	62/457.3

* cited by examiner

Primary Examiner — Terry Wallace

(74) *Attorney, Agent, or Firm* — Thomas|Horstemeyer, LLP

(57) **CLAIM**

The ornamental design for a champagne bucket, as shown and described.

DESCRIPTION

FIG. 1 is a top perspective view of my new champagne bucket.

FIG. 2 is a bottom perspective view of my new champagne bucket.

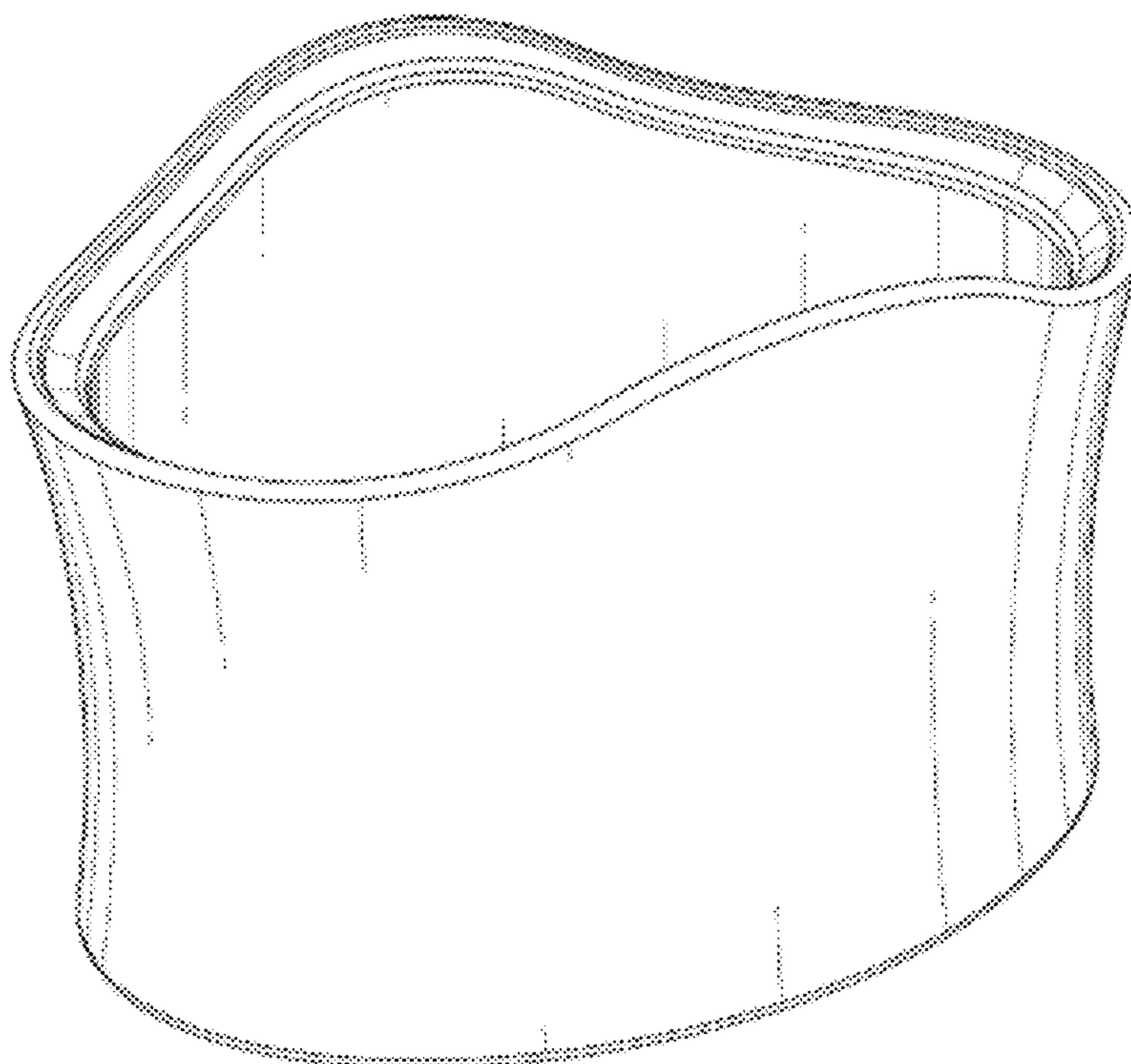
FIG. 3 is a side elevational view of my new champagne bucket.

FIG. 4 is a front elevational view of my champagne bucket.

FIG. 5 is a top plan view of my new champagne bucket; and,

FIG. 6 is a bottom plan view of my new champagne bucket.

1 Claim, 6 Drawing Sheets



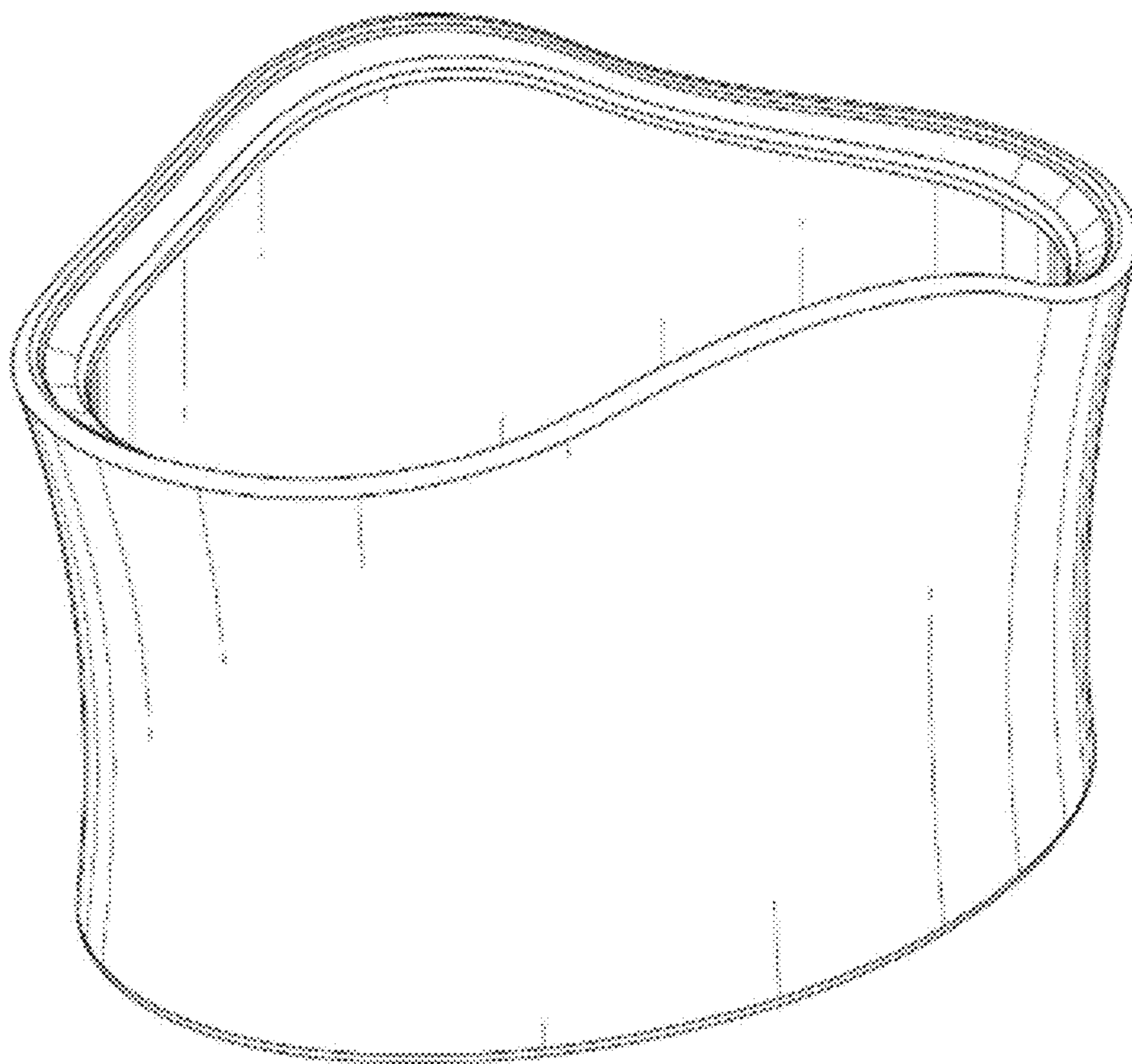


FIG. 1

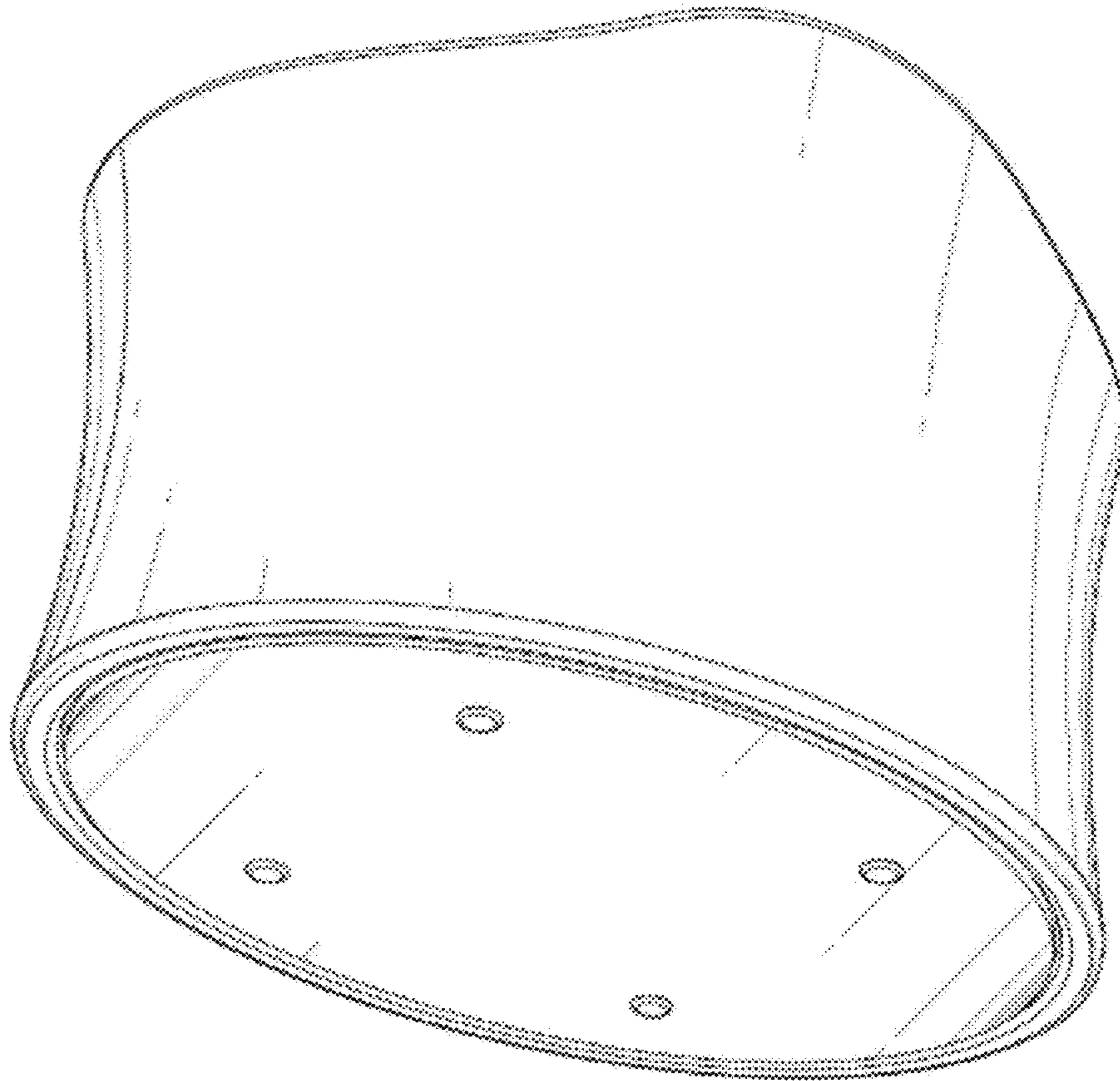


FIG. 2

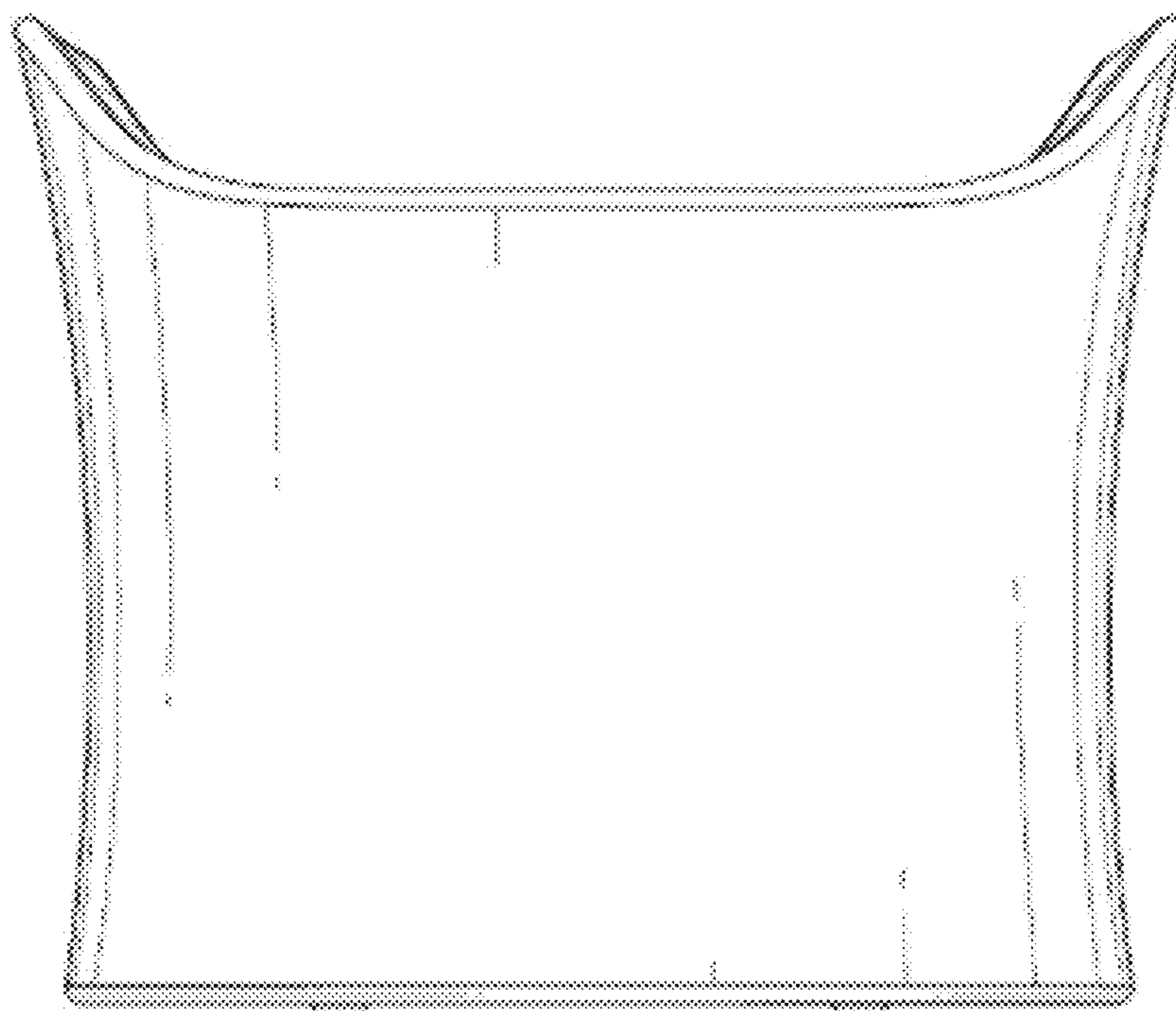


FIG. 3

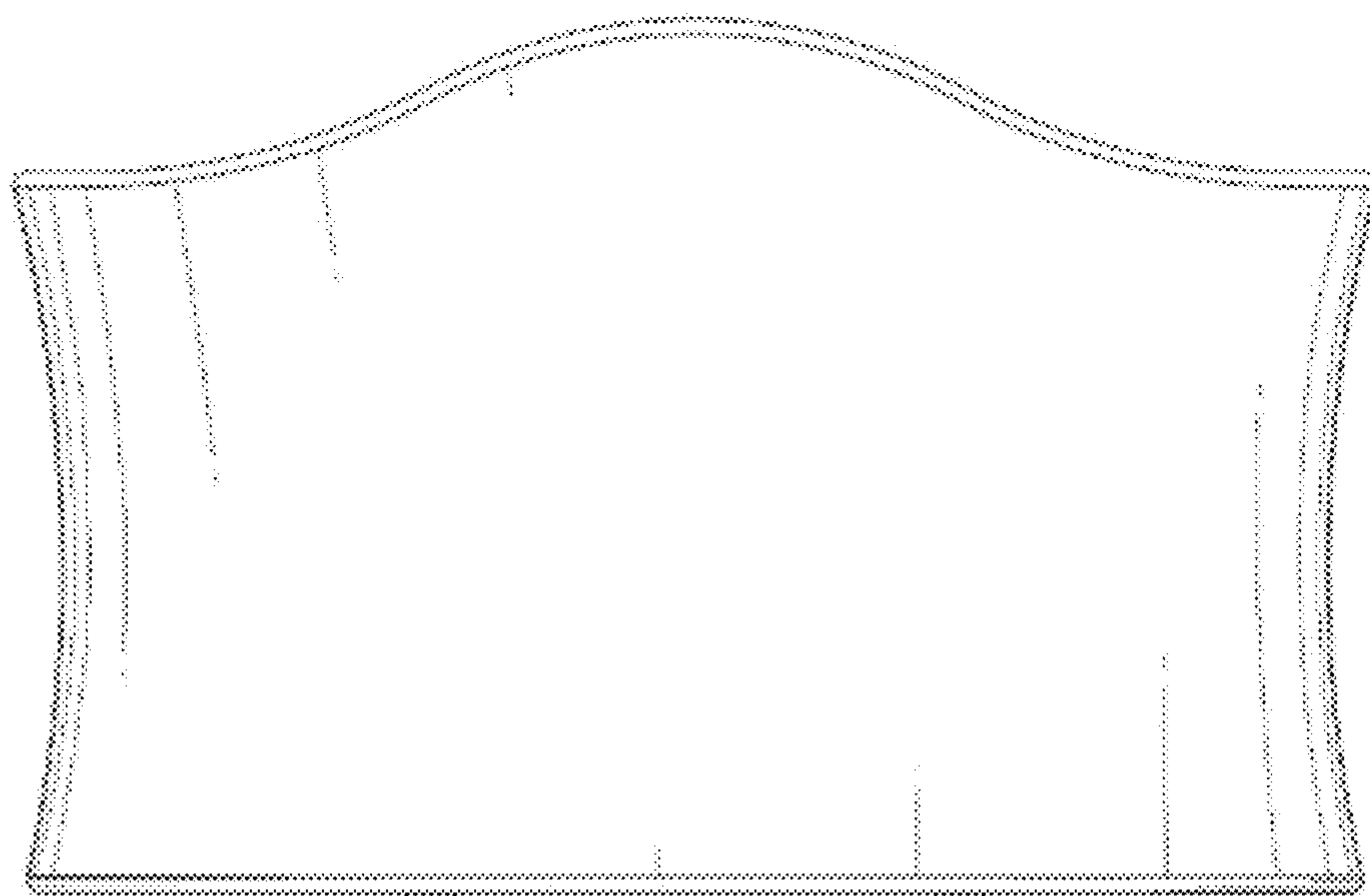


FIG. 4

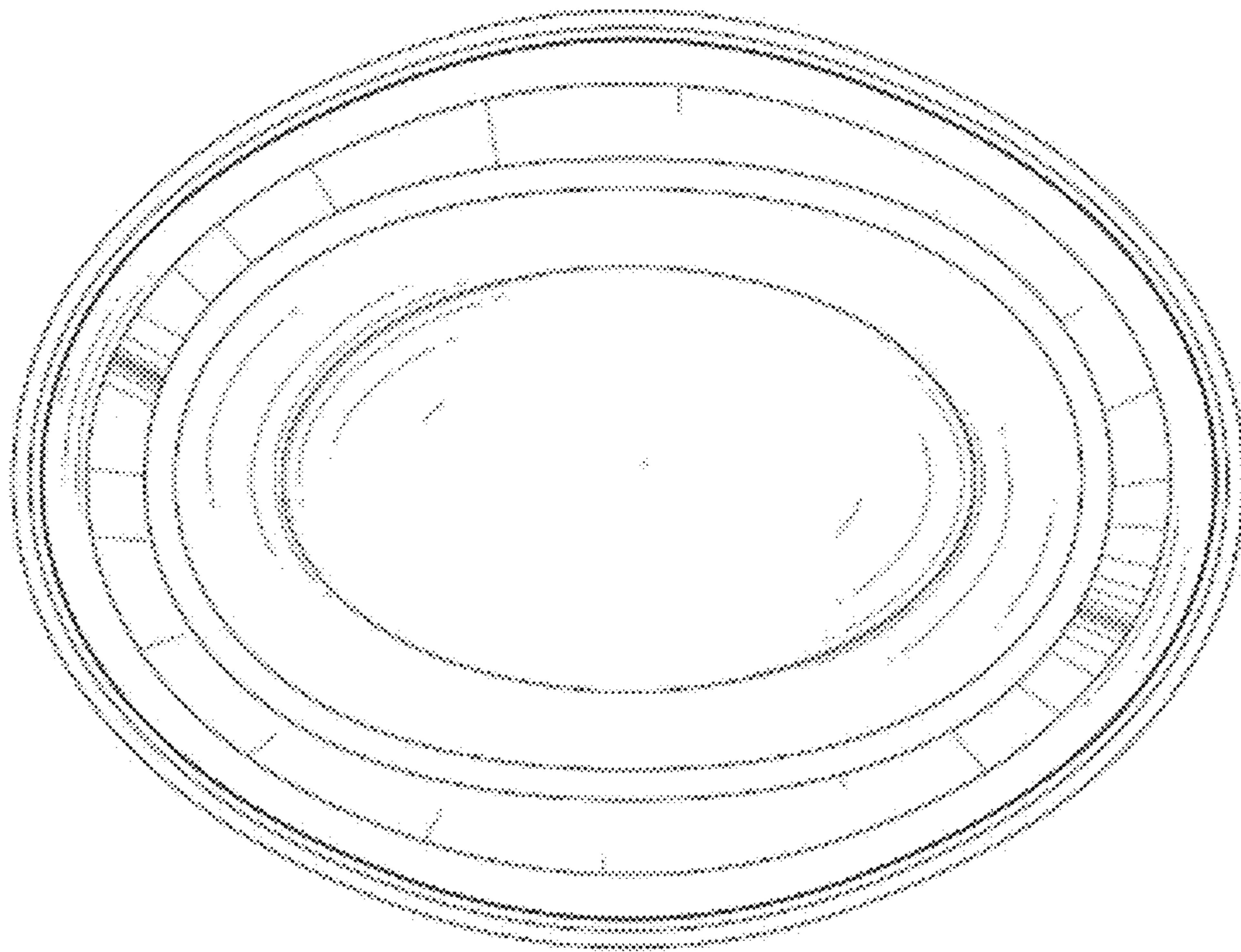


FIG. 5

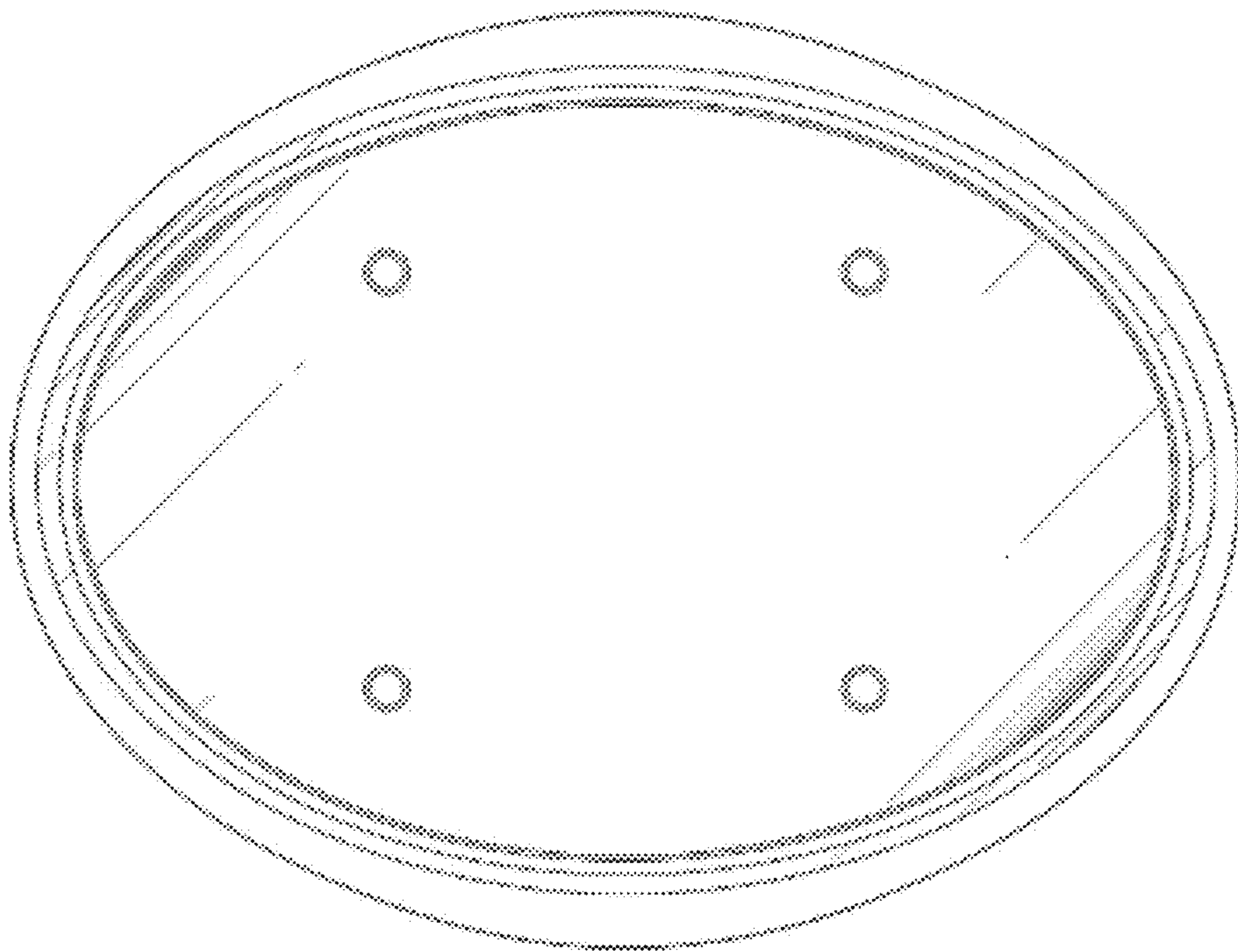


FIG. 6