



US00D710651S

(12) **United States Design Patent**  
**Obioha**

(10) **Patent No.:** **US D710,651 S**

(45) **Date of Patent:** **\*\* Aug. 12, 2014**

(54) **HOT/COLD TYPE SPORTS MUG**  
(71) Applicant: **Kirian Obioha**, Columbia, SC (US)  
(72) Inventor: **Kirian Obioha**, Columbia, SC (US)  
(\*\*) Term: **14 Years**  
(21) Appl. No.: **29/467,819**  
(22) Filed: **Sep. 24, 2013**  
(51) **LOC (10) Cl.** ..... **07-01**  
(52) **U.S. Cl.**  
USPC ..... **D7/515; D7/901; D7/536; D7/510**  
(58) **Field of Classification Search**  
USPC ..... **D7/516, 517, 519, 520, 510, 511, 515,**  
**D7/514, 901, 536; D9/621, 503, 668;**  
**222/78, 662, 630; 206/217; 215/13.1**  
See application file for complete search history.

D566,461 S \* 4/2008 McDonald ..... D7/398  
D571,670 S \* 6/2008 Lepoitevin ..... D9/668  
D586,621 S \* 2/2009 Thompson ..... D7/515  
D591,109 S \* 4/2009 Thompson ..... D7/515  
D596,462 S \* 7/2009 Serruya et al. .... D7/515  
D596,490 S \* 7/2009 Kleckauskas et al. .... D9/535  
D597,789 S \* 8/2009 McDonald ..... D7/398  
D599,625 S \* 9/2009 Lessells ..... D7/625  
D602,736 S \* 10/2009 McDonald ..... D7/398  
D616,169 S \* 5/2010 Wolford et al. .... D34/4  
D624,722 S \* 9/2010 Wilkerson et al. .... D34/4  
D629,648 S \* 12/2010 McDonald ..... D7/398  
D673,811 S \* 1/2013 Roudybush ..... D7/510  
D693,644 S \* 11/2013 Stollsteimer et al. .... D7/515  
8,701,907 B1 \* 4/2014 Mallicoat ..... 215/228

\* cited by examiner

*Primary Examiner* — Marianne Pandozzi  
(74) *Attorney, Agent, or Firm* — Southeast IP Group, LLC;  
Thomas L. Moses

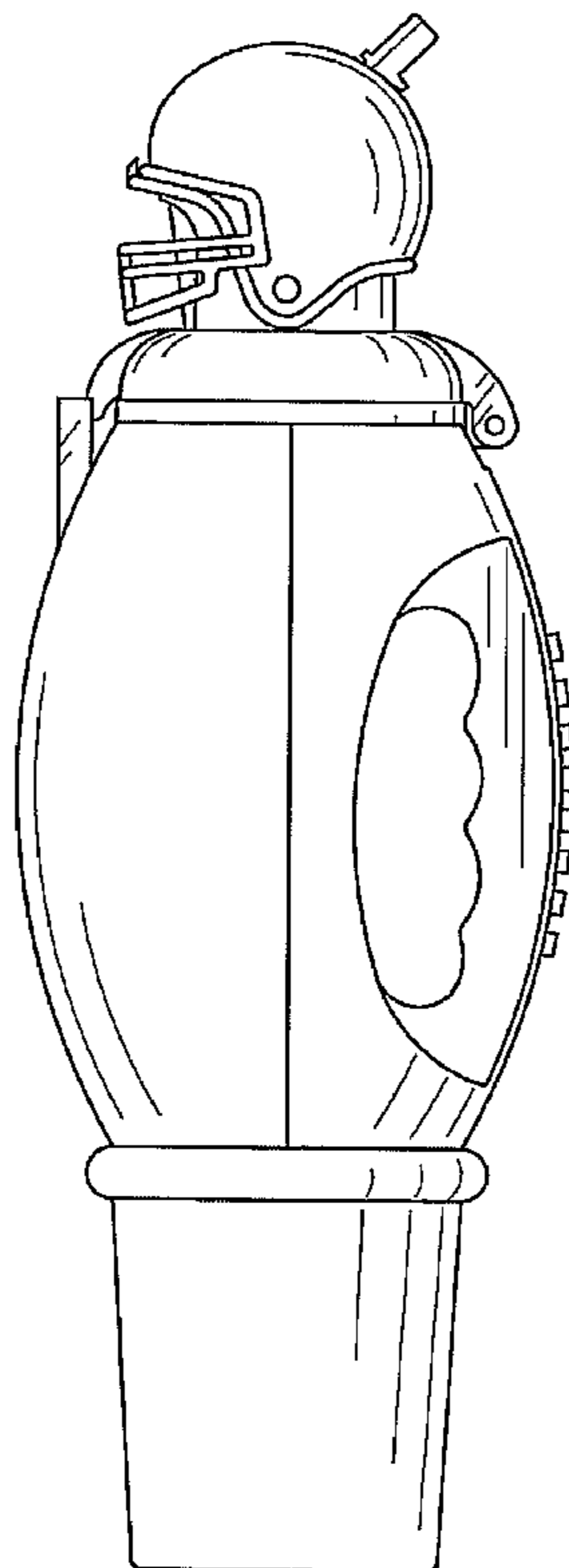
(57) **CLAIM**  
The ornamental design for the hot/cold type sports mug, as shown and described.

(56) **References Cited**  
U.S. PATENT DOCUMENTS  
D327,817 S \* 7/1992 Paullin ..... D7/515  
D359,655 S \* 6/1995 Hurst et al. .... D7/515  
D379,023 S \* 4/1997 August ..... D99/37  
D407,946 S \* 4/1999 Brewer et al. .... D7/510  
6,029,855 A \* 2/2000 Adams ..... 222/78  
D441,255 S \* 5/2001 Steinfels ..... D7/515  
D471,060 S \* 3/2003 Salsman ..... D7/392.1  
D507,181 S \* 7/2005 Malik ..... D9/451  
D510,236 S \* 10/2005 Norris et al. .... D7/536  
D562,627 S \* 2/2008 McDonald et al. .... D7/398

**DESCRIPTION**

FIG. 1 is a front view of my design for a hot/cold type sports mug.  
FIG. 2 is a side view thereof.  
FIG. 3 is a rear view thereof.  
FIG. 4 is a top view thereof; and,  
FIG. 5 is a bottom view thereof.

**1 Claim, 4 Drawing Sheets**



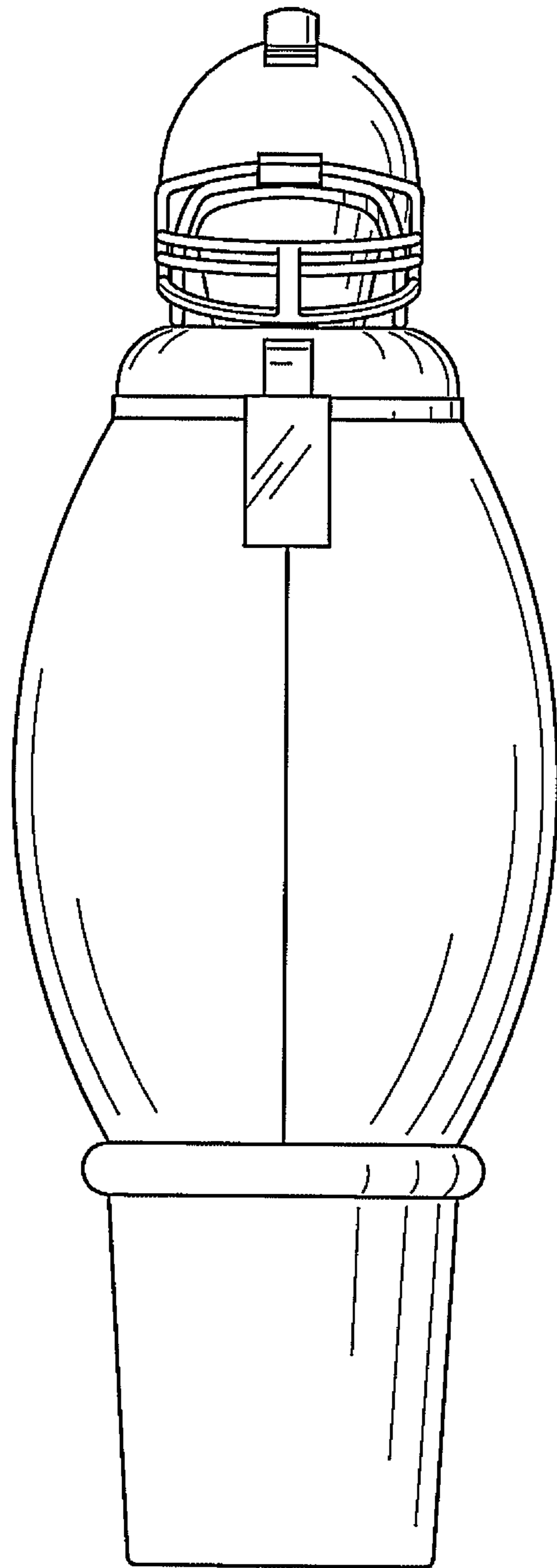


FIG. 1

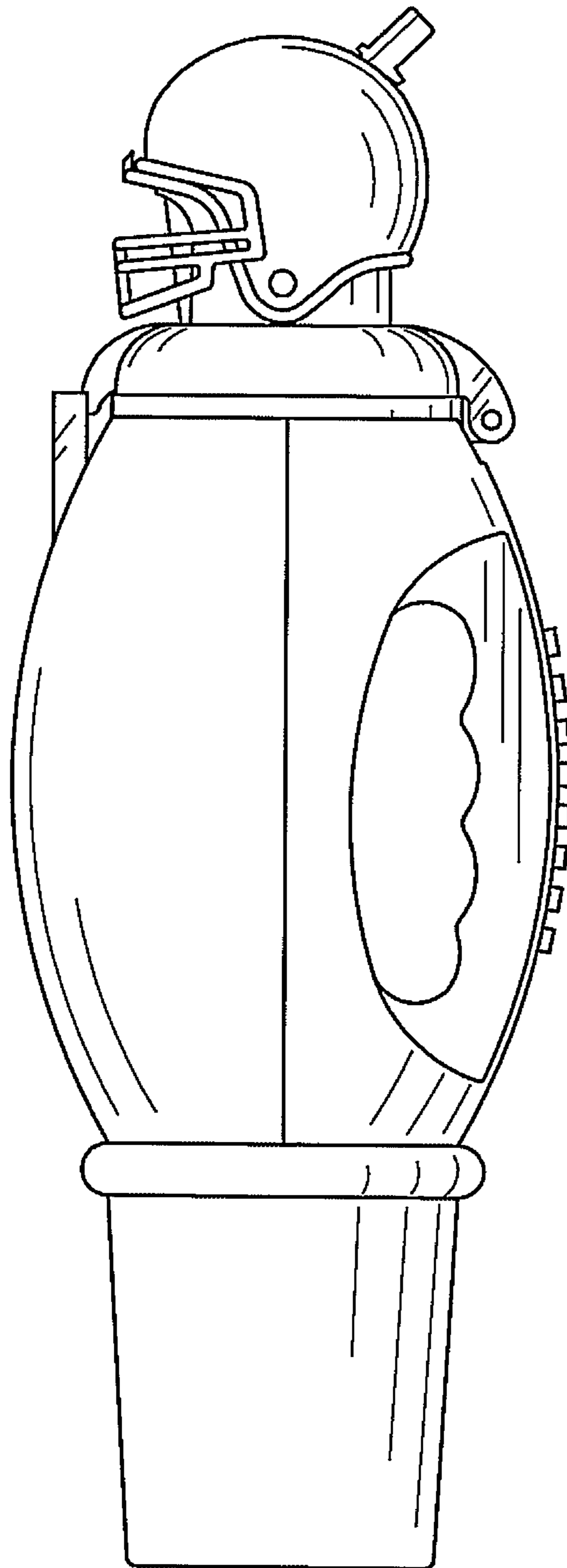


FIG. 2

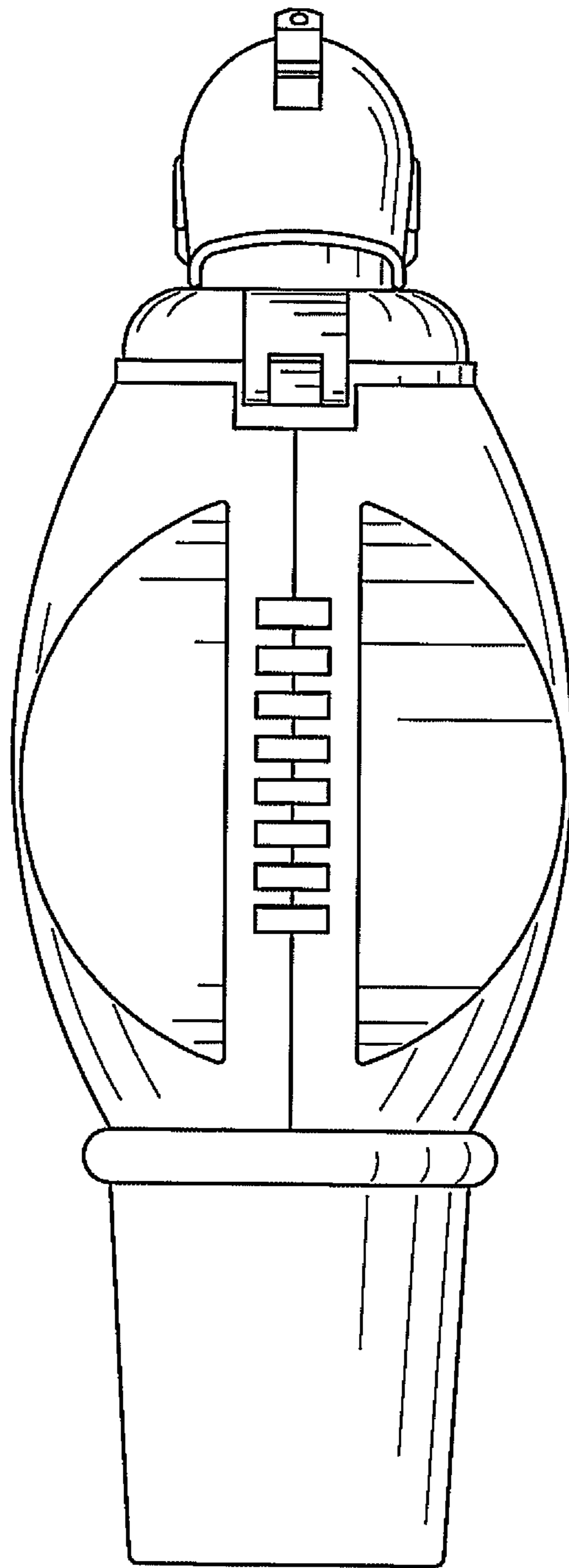


FIG. 3

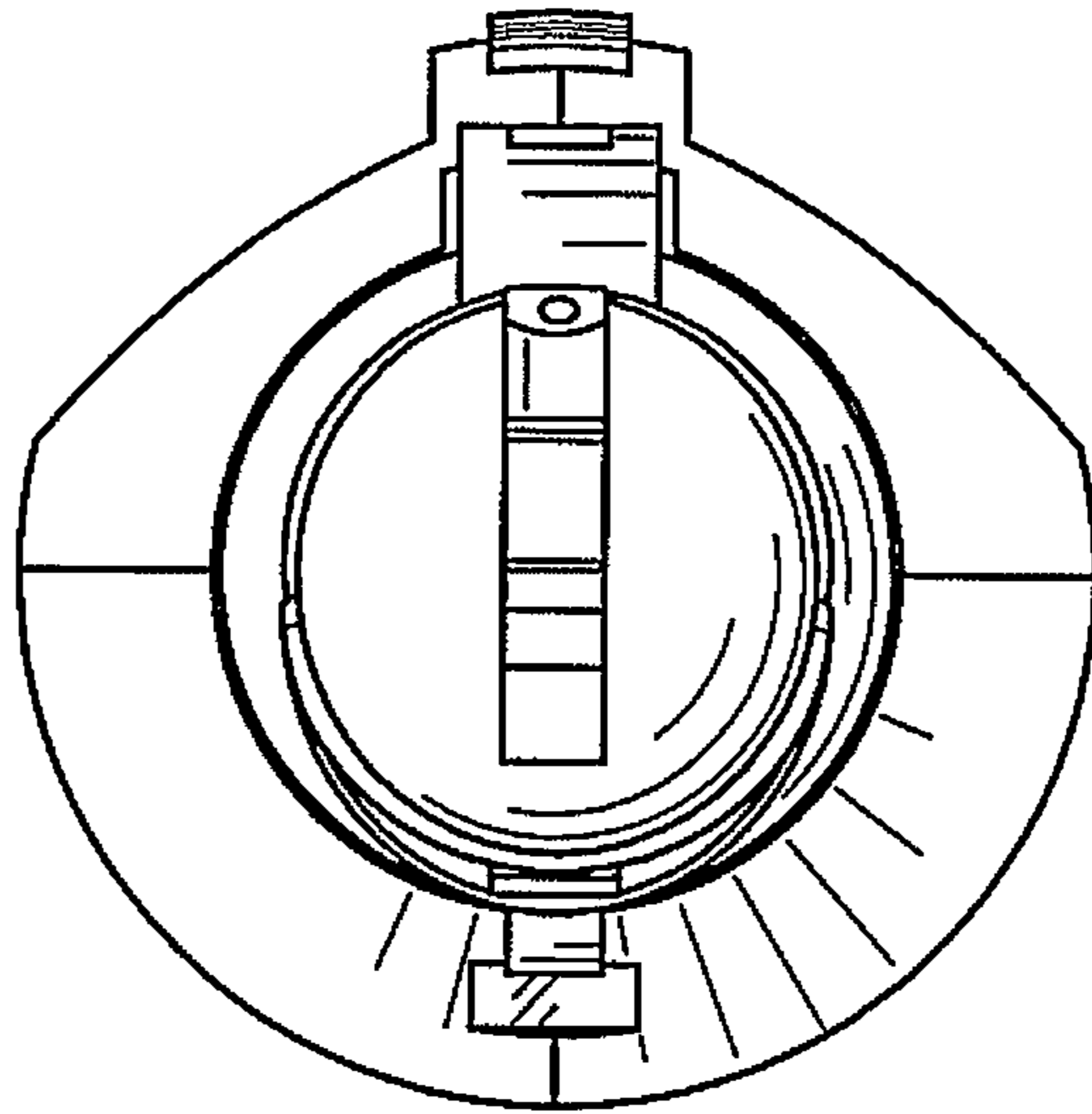


FIG. 4

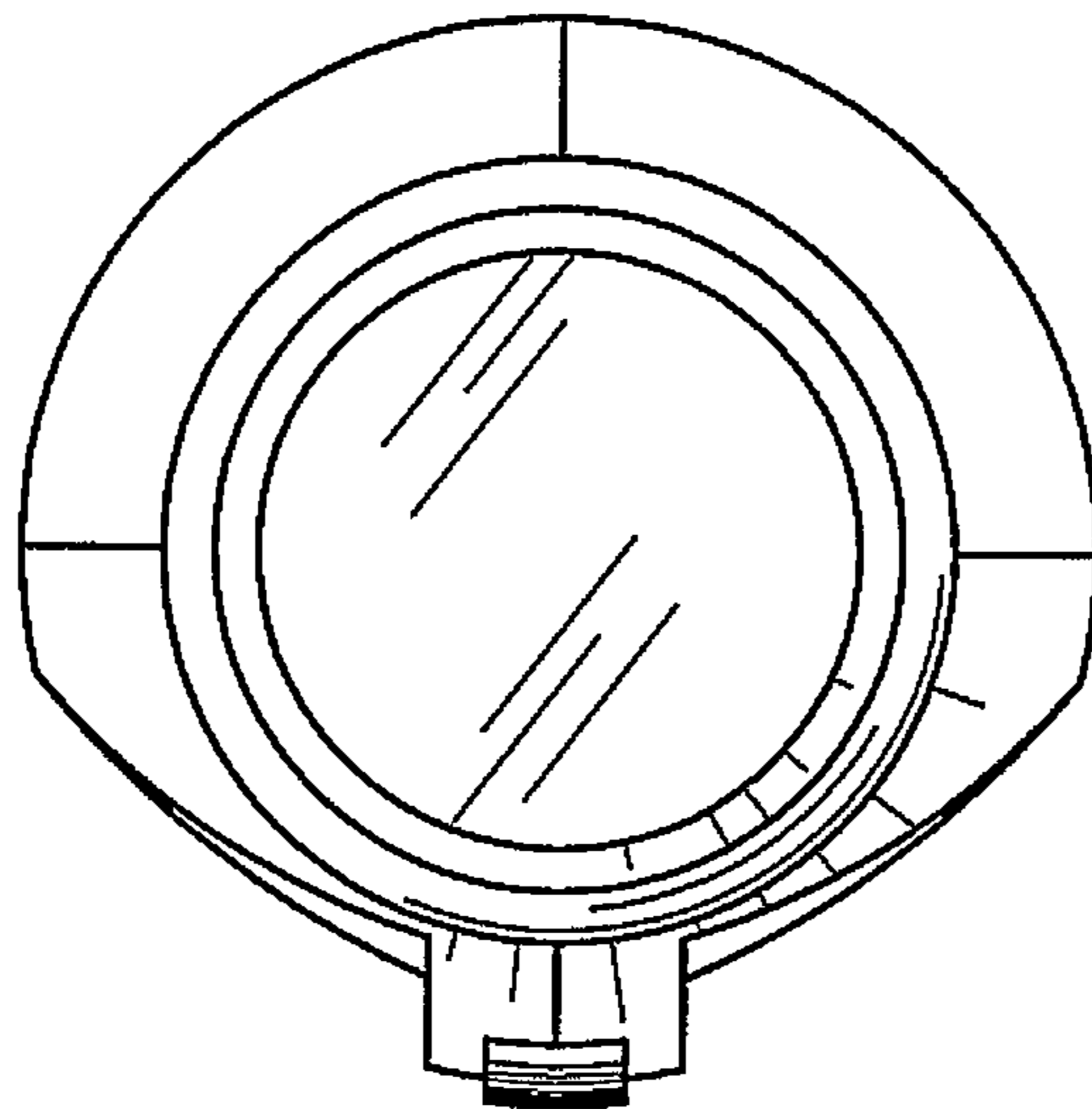


FIG. 5