



US00D710650S

(12) **United States Design Patent**  
**Blum et al.**

(10) **Patent No.:** **US D710,650 S**

(45) **Date of Patent:** **\*\* Aug. 12, 2014**

(54) **COLLAPSIBLE CUP**

(71) Applicants: **Jason A. Blum**, San Francisco, CA (US); **John Adkins**, San Ramon, CA (US); **Scott Hart**, Bonita, CA (US); **Elise Kiland**, Castro Valley, CA (US)

(72) Inventors: **Jason A. Blum**, San Francisco, CA (US); **John Adkins**, San Ramon, CA (US); **Scott Hart**, Bonita, CA (US); **Elise Kiland**, Castro Valley, CA (US)

(\*\*) Term: **14 Years**

(21) Appl. No.: **29/490,691**

(22) Filed: **May 12, 2014**

(51) **LOC (10) Cl.** ..... **07-01**

(52) **U.S. Cl.**  
USPC ..... **D7/512; D7/510; D7/511**

(58) **Field of Classification Search**  
CPC ..... **A47F 3/20**  
USPC ..... **D7/510, 511, 512, 523, 507, 529; 220/8, 92, 714, 666; 215/11.5; 206/218**  
See application file for complete search history.

(56) **References Cited**

**U.S. PATENT DOCUMENTS**

640,418	A	1/1900	Royer	
879,753	A	2/1908	Eckert	
1,020,347	A	3/1912	Follett	
1,033,744	A	7/1912	Smith	
1,049,199	A	12/1912	Bowman	
1,093,873	A *	4/1914	Mitchell	220/8
1,260,779	A *	3/1918	Koos	220/8
1,351,412	A	8/1920	Carr	
1,498,672	A	11/1921	Renner	
1,561,509	A	4/1925	Davidson	
1,636,323	A	12/1925	Rand	
3,285,459	A *	11/1966	Gahm	220/8
3,471,058	A *	10/1969	Latham et al.	222/92
D219,474	S *	12/1970	Gahm	D7/512
D220,203	S *	3/1971	Gahm	D7/512

D220,204	S *	3/1971	Gahm	D7/512
D309,116	S	7/1990	Marshall	
5,384,138	A *	1/1995	Robbins et al.	426/111
6,006,934	A	12/1999	Skrysak	
6,736,285	B2 *	5/2004	Stewart-Stand	220/666
D544,303	S *	6/2007	Strepkoff	D7/512
D550,036	S	9/2007	Holcomb	
D617,144	S *	6/2010	O'Connor et al.	D7/396.2
D642,433	S *	8/2011	Tuan	D7/400
D651,466	S *	1/2012	Forsyth	D7/510
D682,617	S *	5/2013	Miksovsky et al.	D7/512
8,544,672	B2	10/2013	Tate	
8,556,099	B2 *	10/2013	Perlman	220/8
8,641,004	B2	2/2014	Miklas	
8,646,640	B2	2/2014	Faris	
2011/0248037	A1	10/2011	Fung	
2012/0205371	A1	8/2012	Lee	
2013/0032592	A1	2/2013	Lee	
2013/0264340	A1	10/2013	Zens	

**OTHER PUBLICATIONS**

reuseit.com, May 10, 2014, Internet printout: <http://www.reuseit.com/travel-mugs-and-cups/flatterware-red-flatterware-collapsible-cup.htm>.

(Continued)

*Primary Examiner* — Marianne Pandozzi

(74) *Attorney, Agent, or Firm* — Todd R. Miller

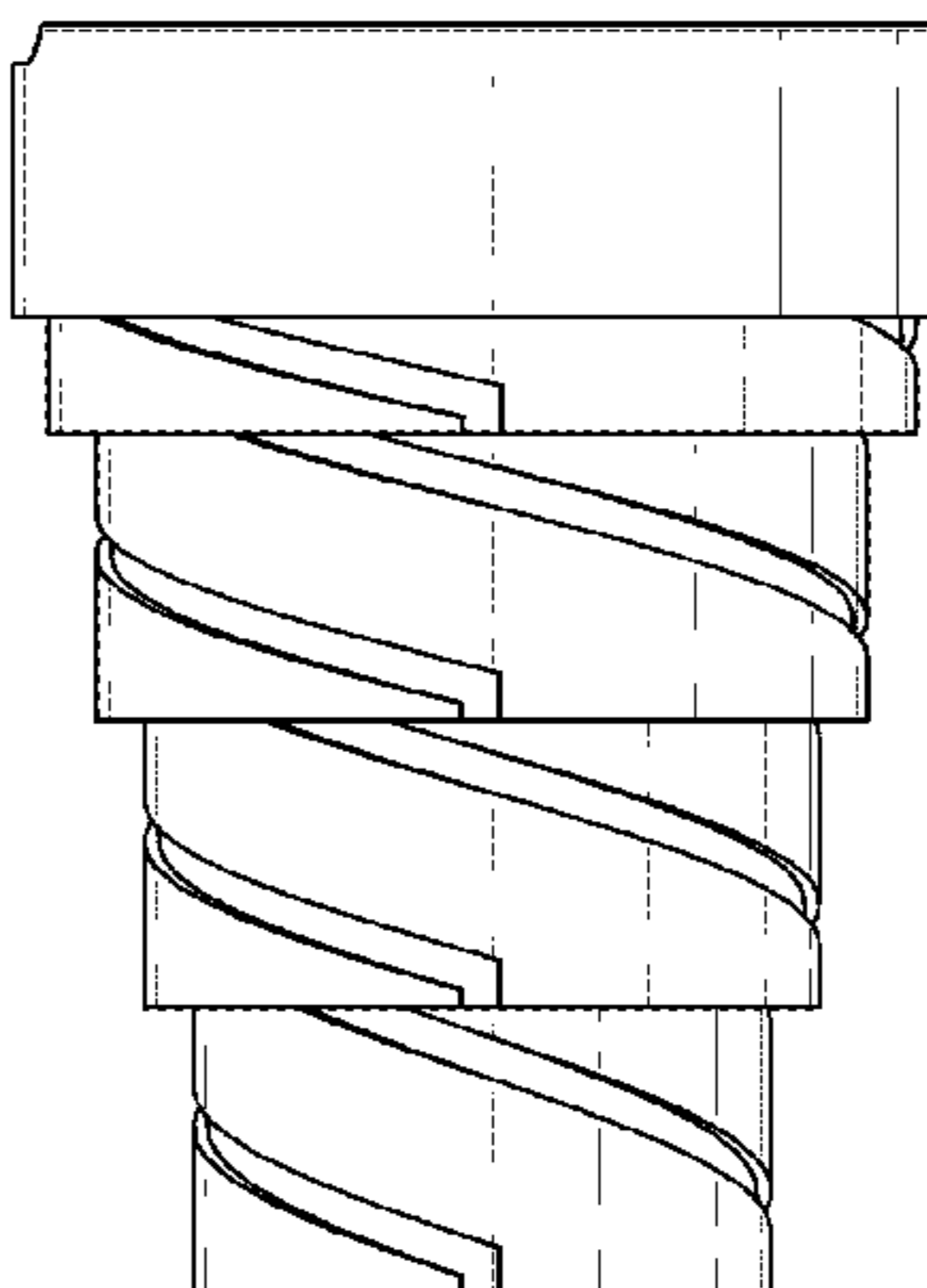
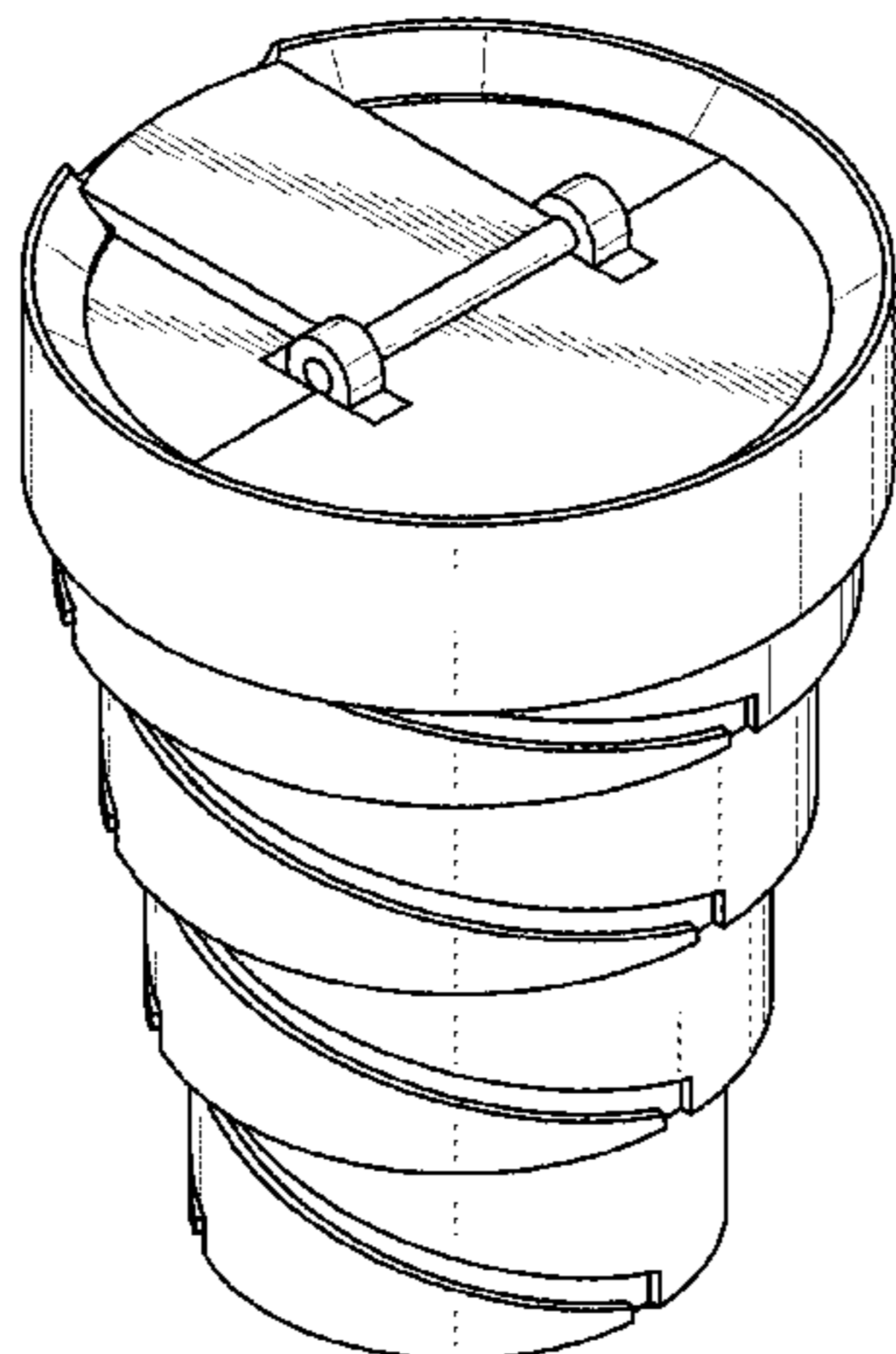
(57) **CLAIM**

The ornamental design for a collapsible cup, as shown and described.

**DESCRIPTION**

FIG. 1 is a perspective view of a collapsible cup showing our new design in extended position; FIG. 2 is a side view thereof; FIG. 3 is a front view thereof; FIG. 4 is a top view thereof; and, FIG. 5 is a bottom plan view. The broken lines in FIG. 5 depict portions of the collapsible cup that form no part of the claimed design.

**1 Claim, 4 Drawing Sheets**



(56)

**References Cited**

OTHER PUBLICATIONS

dhgate.com, May 10, 2014, Internet printout: <http://www.dhgate.com/product/75ml-stainless-steel-portable-outdoor-travel/162842160.html#s1-1-111314308380>.

practicaltravelgear.com, May 10, 2014, Internet printout: <http://practicaltravelgear.com/gsi-collapsible-coffee-drip-travel-filter/>.

izola.com, May 10, 2014, Internet printout: <http://www.izola.com/collections/travel-cups>.

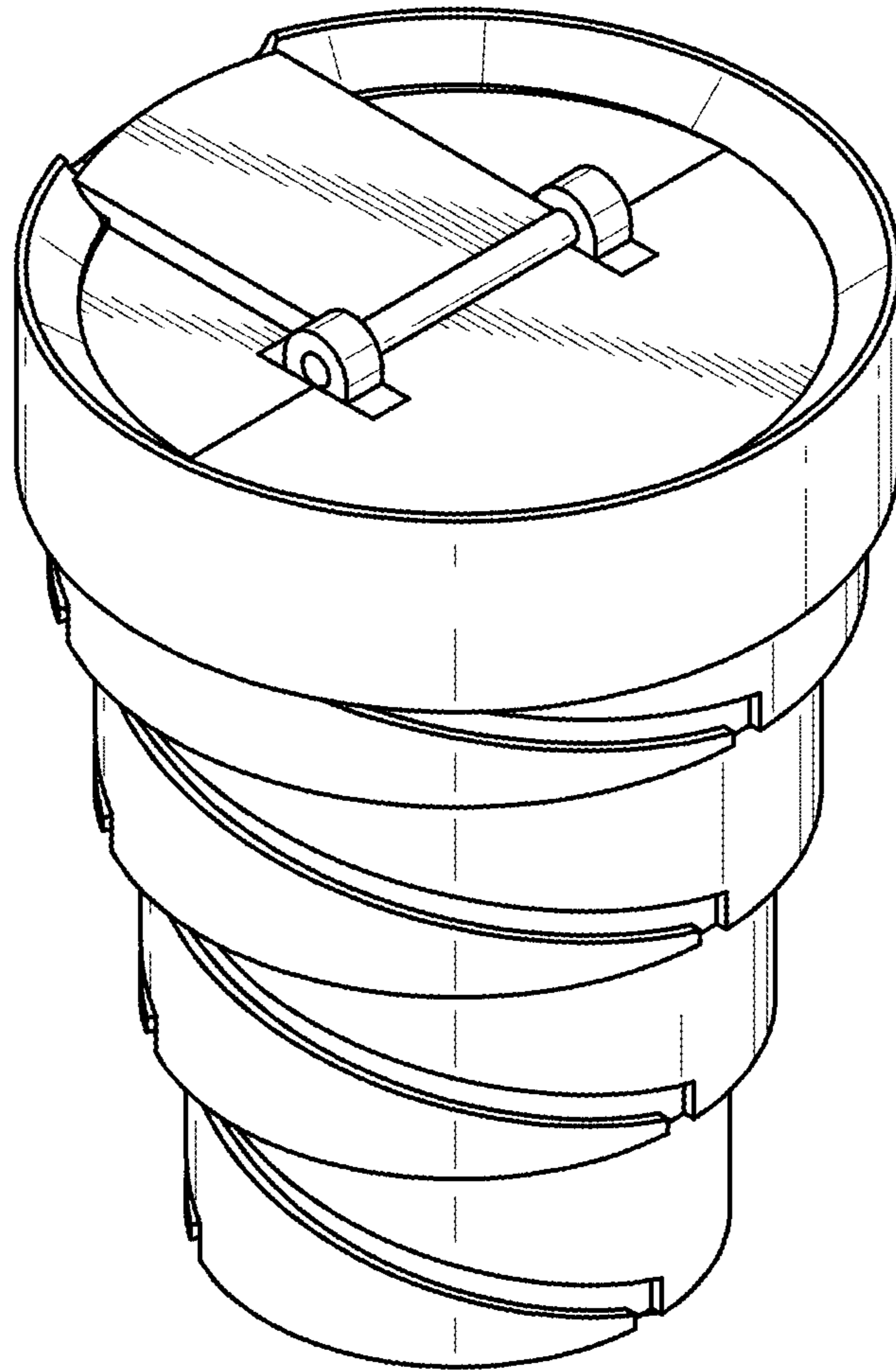
betacup.jovoto.com, May 10, 2014, Internet printout: <https://betacup.jovoto.com/ideas/5031>.

magazine.good.is, May 10, 2014, Internet printout: <http://magazine.good.is/articles/ditch-the-disposable-cup-8-innovative-reusable-mugs>.

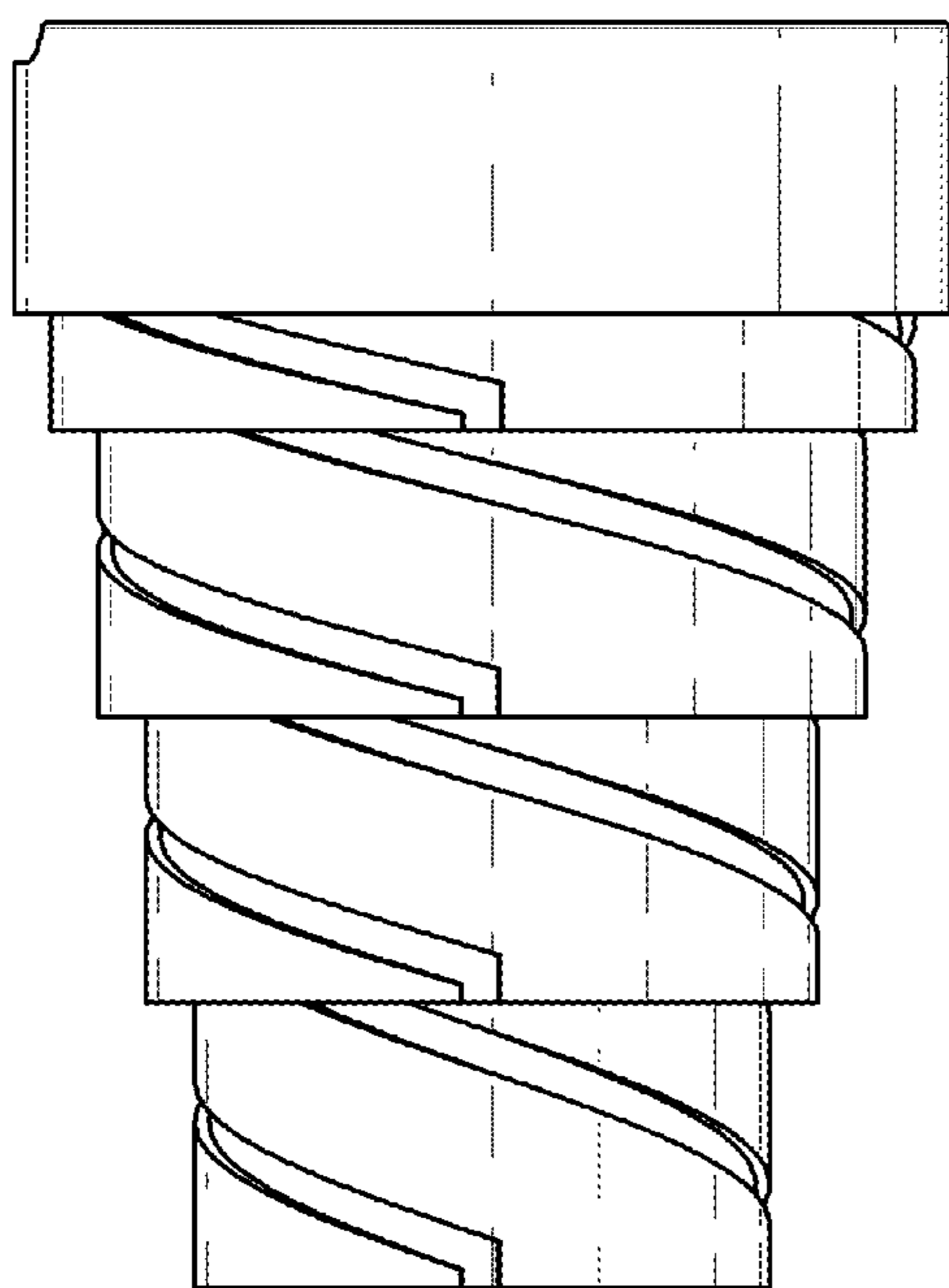
mountainhighoutfitters.com, May 10, 2014, Internet printout: <http://www.mountainhighoutfitters.com/Products/X-Mug+Collapsible+Mug.html>.

zipcup.com, May 10, 2014, Internet printout: <http://www.zipcup.com/p/about-zip-cup.html>.

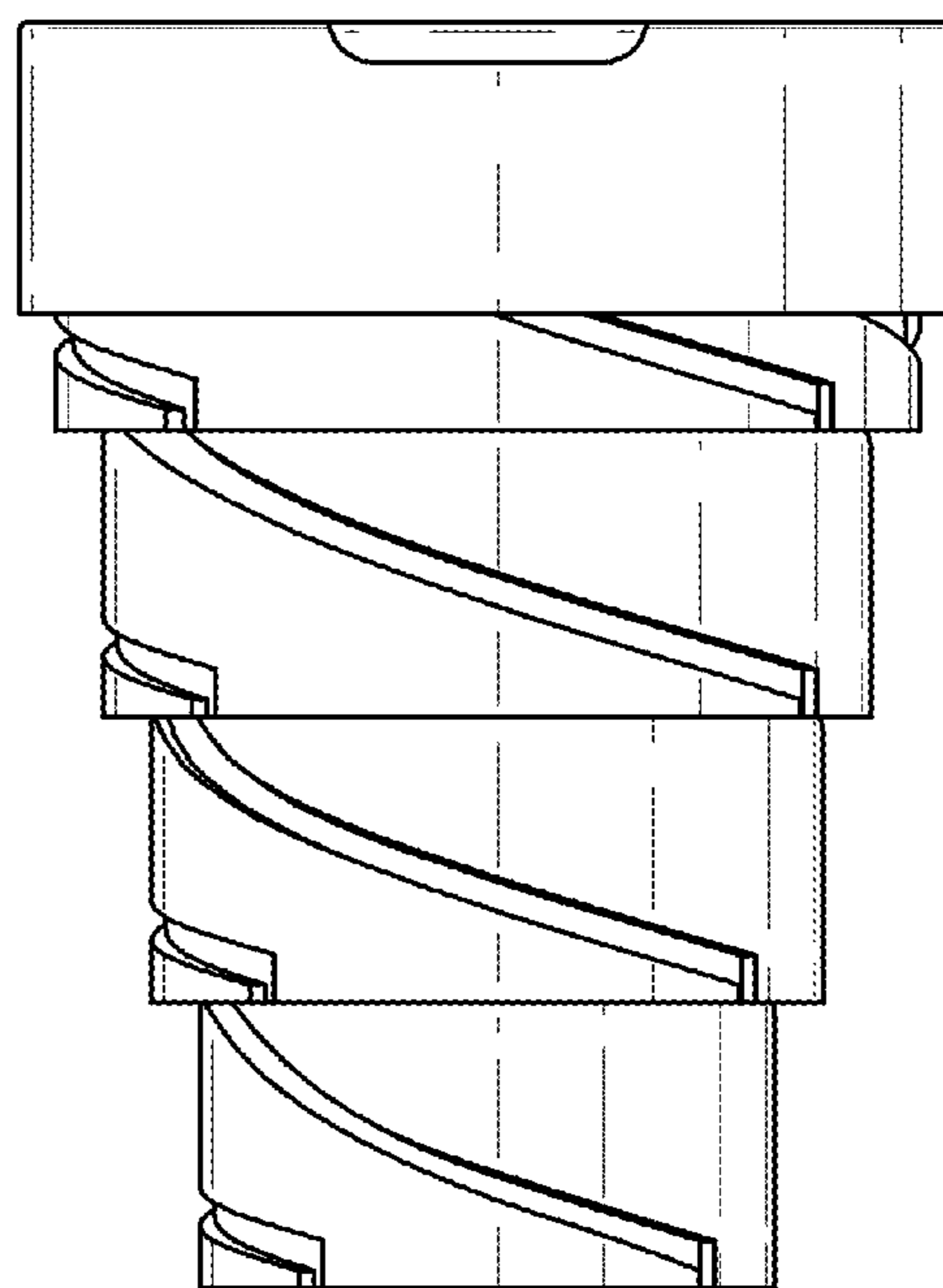
\* cited by examiner



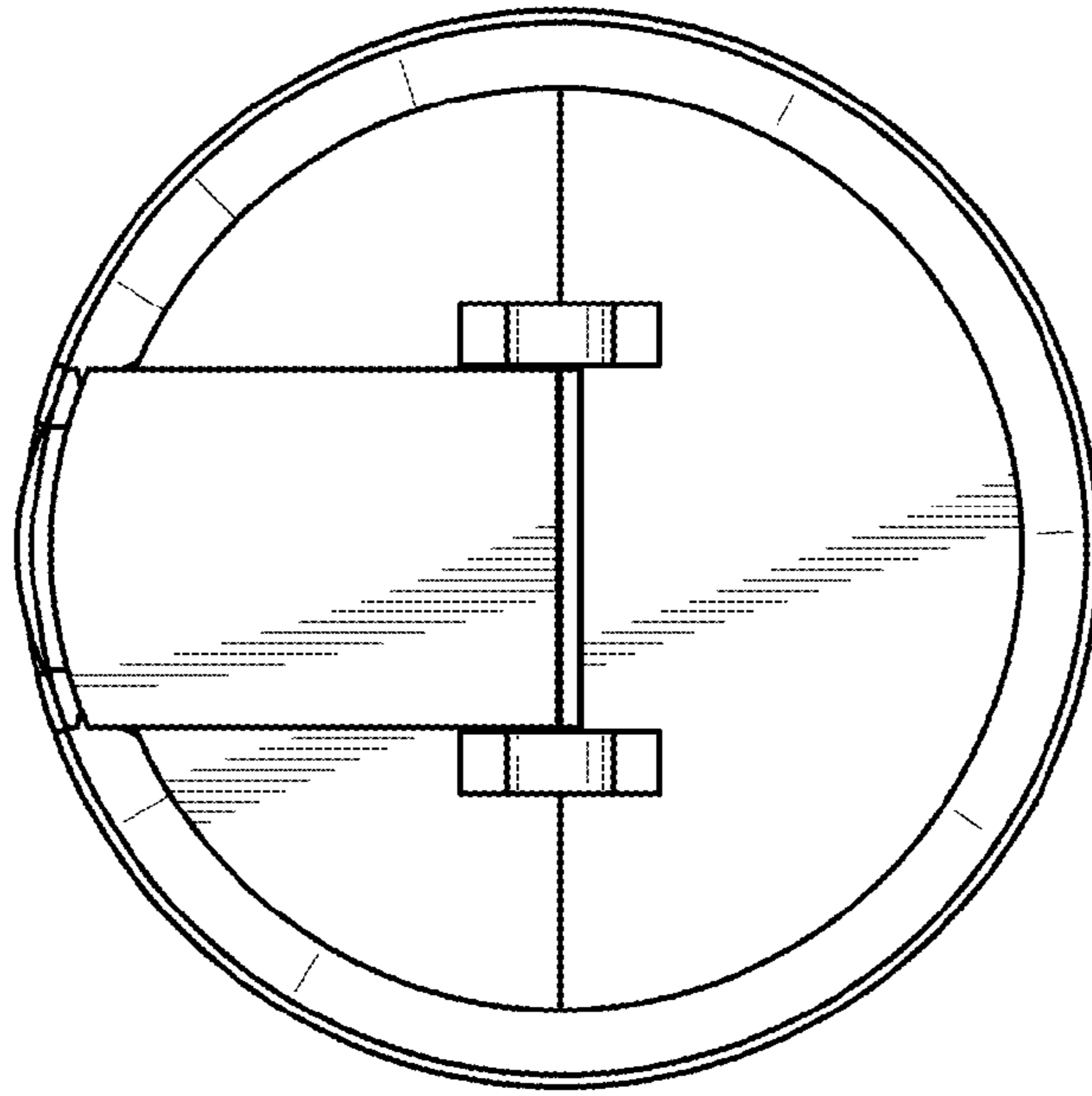
**FIG. 1**



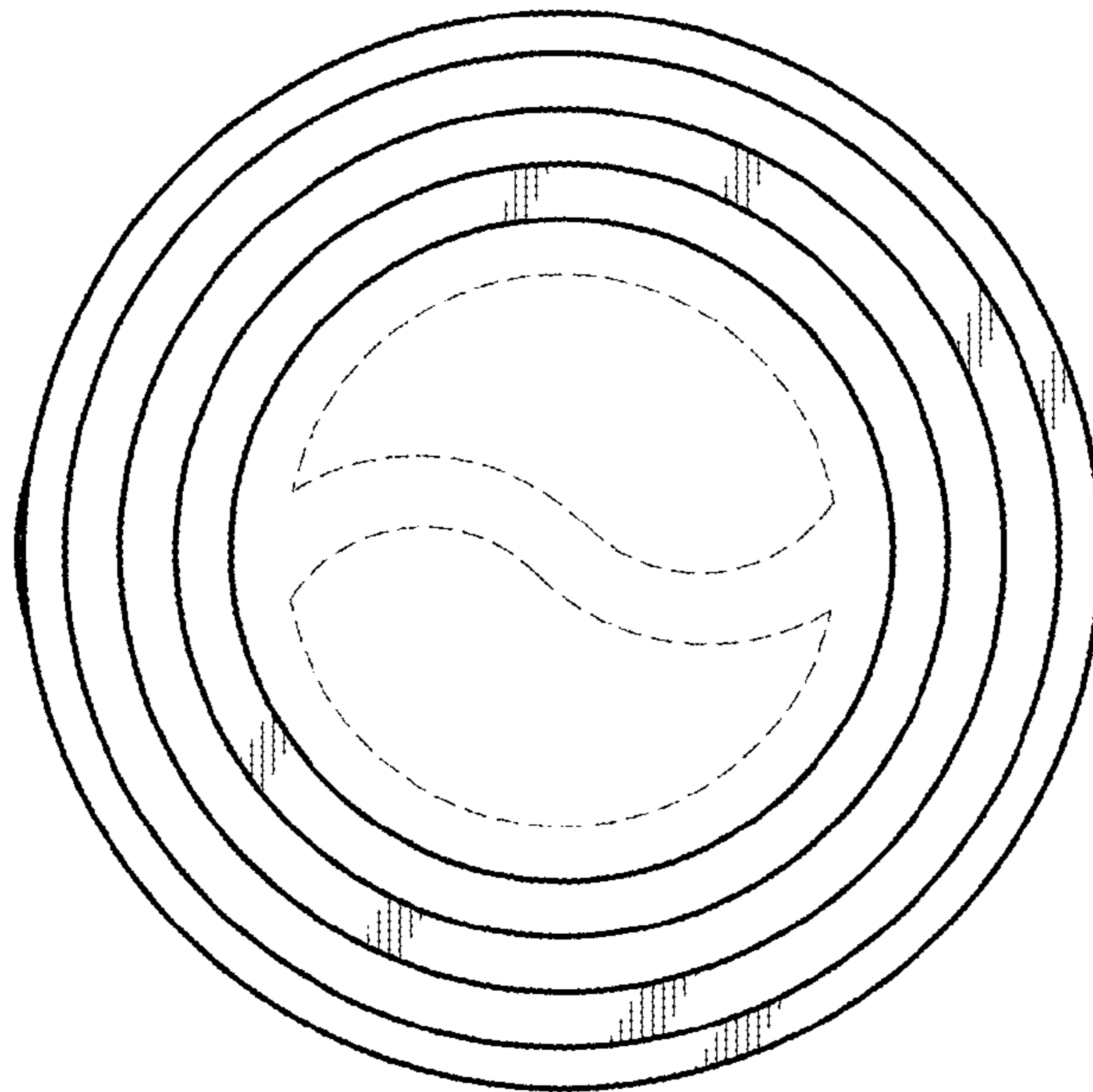
*FIG. 2*



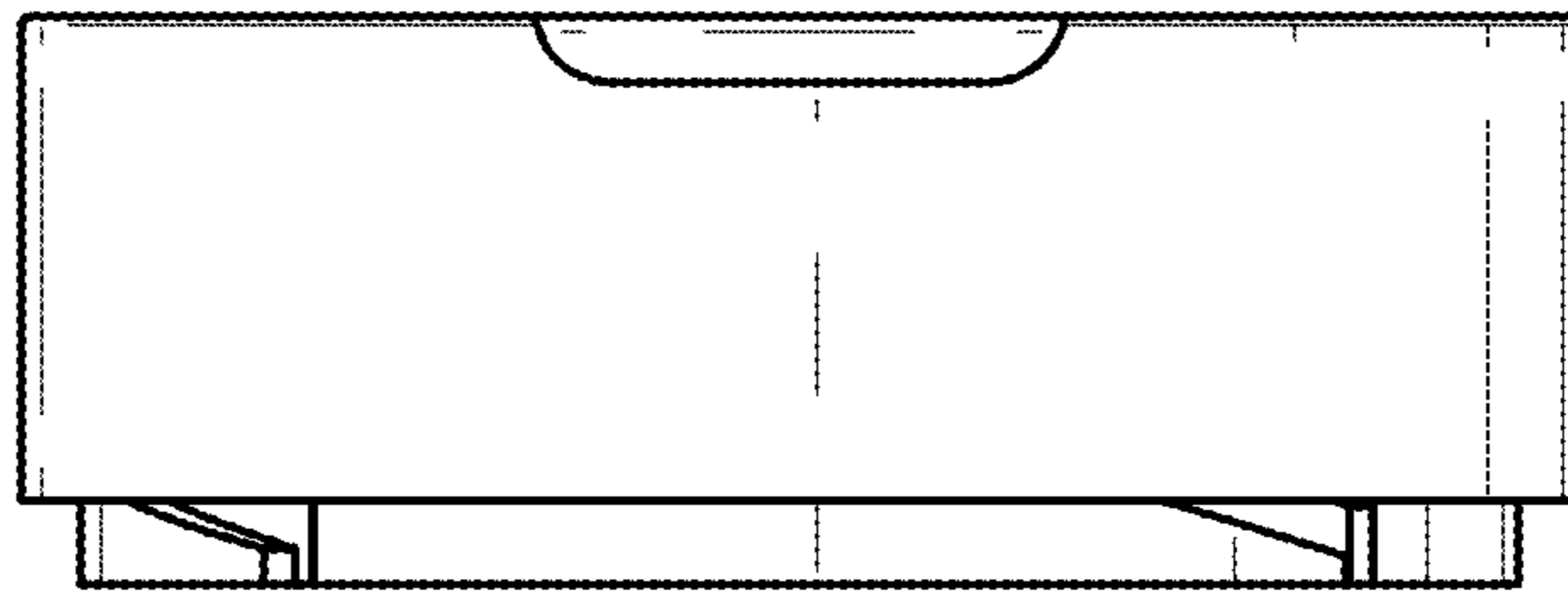
*FIG. 3*



**FIG. 4**



**FIG. 5**



*FIG. 6*