



US00D710647S

(12) **United States Design Patent**
Mandil et al.

(10) **Patent No.:** **US D710,647 S**

(45) **Date of Patent:** **** Aug. 12, 2014**

(54) **COOKWARE**

(71) Applicants: **Ralph Mandil**, Elberon, NJ (US);
Benjamin Akkad, Brooklyn, NY (US)

(72) Inventors: **Ralph Mandil**, Elberon, NJ (US);
Benjamin Akkad, Brooklyn, NY (US)

(73) Assignee: **Ralph Mandil**, Elberon, NJ (US)

(**) Term: **14 Years**

(21) Appl. No.: **29/435,762**

(22) Filed: **Oct. 28, 2012**

(51) **LOC (10) Cl.** **07-02**

(52) **U.S. Cl.**

USPC **D7/354**

(58) **Field of Classification Search**

USPC D7/323, 329–332, 337–339, 346–347,
D7/350.1–350.4, 352–367, 391–395,
D7/396.1, 402–409, 538, 542–543,
D7/554.2–554.4, 557, 566, 587, 665;
99/324–327, 330–347, 369, 366, 372,
99/377, 400–419, 422–426, 444–446,
99/483; 126/37 R, 41 R, 220, 261, 332,
126/376.1, 378.1, 390.1; 219/386–387,
219/400, 405, 429–442, 452.11, 521–525,
219/620–624, 725, 730–735; 220/23.88,
220/314–315, 485, 573.1–573.5, 592.16,
220/912; 426/438, 441, 523

See application file for complete search history.

(56) **References Cited**

U.S. PATENT DOCUMENTS

1,201,138 A * 10/1916 Bingham 126/376.1

1,613,534 A *	1/1927	Rice	126/220
1,733,450 A *	10/1929	Detwiler	99/340
D99,555 S *	5/1936	Smith	D7/542
D230,459 S *	2/1974	Gulotta	D7/360
D283,482 S *	4/1986	Durand	D7/361
D392,840 S *	3/1998	Rae	D7/402
6,082,249 A *	7/2000	Su	99/340
D440,112 S *	4/2001	Su	D7/367
D586,177 S *	2/2009	Loring	D7/361
D589,741 S *	4/2009	Gerlach	D7/361
D592,445 S *	5/2009	Sorenson et al.	D7/359
D669,730 S *	10/2012	Mandil	D7/359

* cited by examiner

Primary Examiner — Ricky Pham

(74) *Attorney, Agent, or Firm* — Golden Cohen LLP

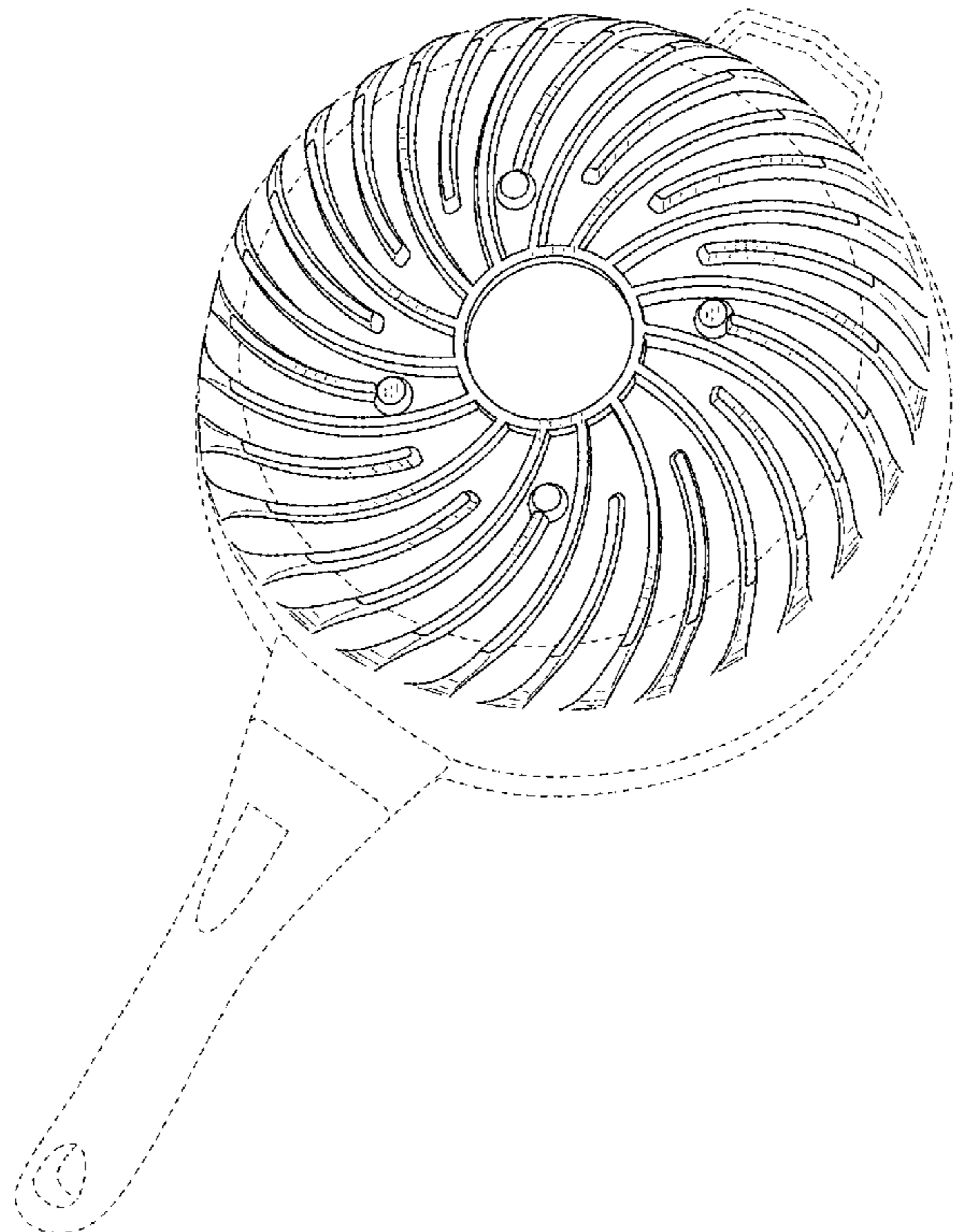
(57) **CLAIM**

The ornamental design for cookware, as shown and described.

DESCRIPTION

FIG. 1 is a perspective view of the present invention;
FIG. 2 is a front view of the embodiment of FIG. 1;
FIG. 3 is a back view of the embodiment of FIG. 1;
FIG. 4 is a right side view of the embodiment of FIG. 1;
FIG. 5 is a left side view of the embodiment of FIG. 1;
FIG. 6 is a top view of the embodiment of FIG. 1; and,
FIG. 7 is bottom view of the embodiment of FIG. 1.
The broken line showing in the figures is for illustrative purposes only and forms no part of the claimed design.

1 Claim, 5 Drawing Sheets



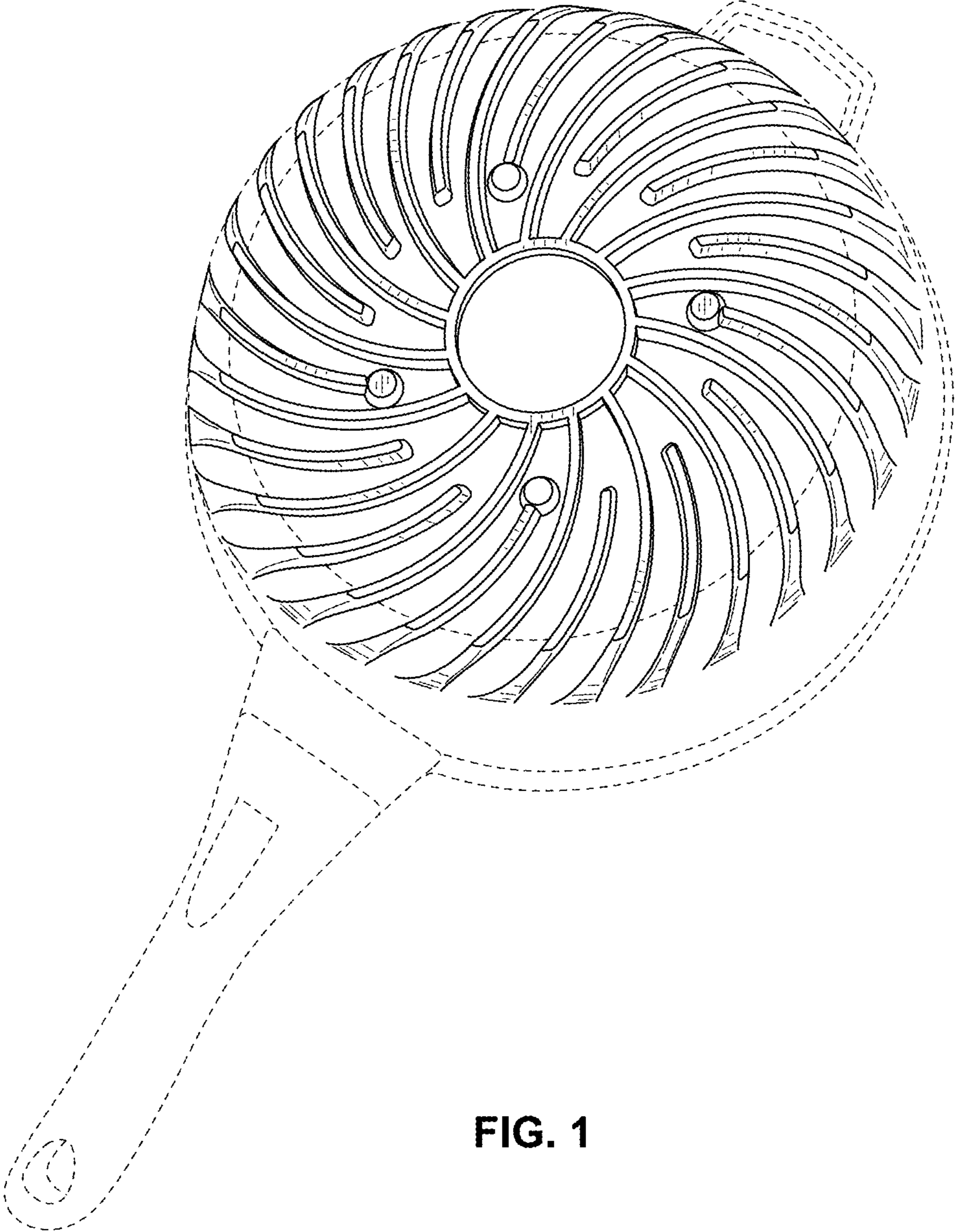


FIG. 1

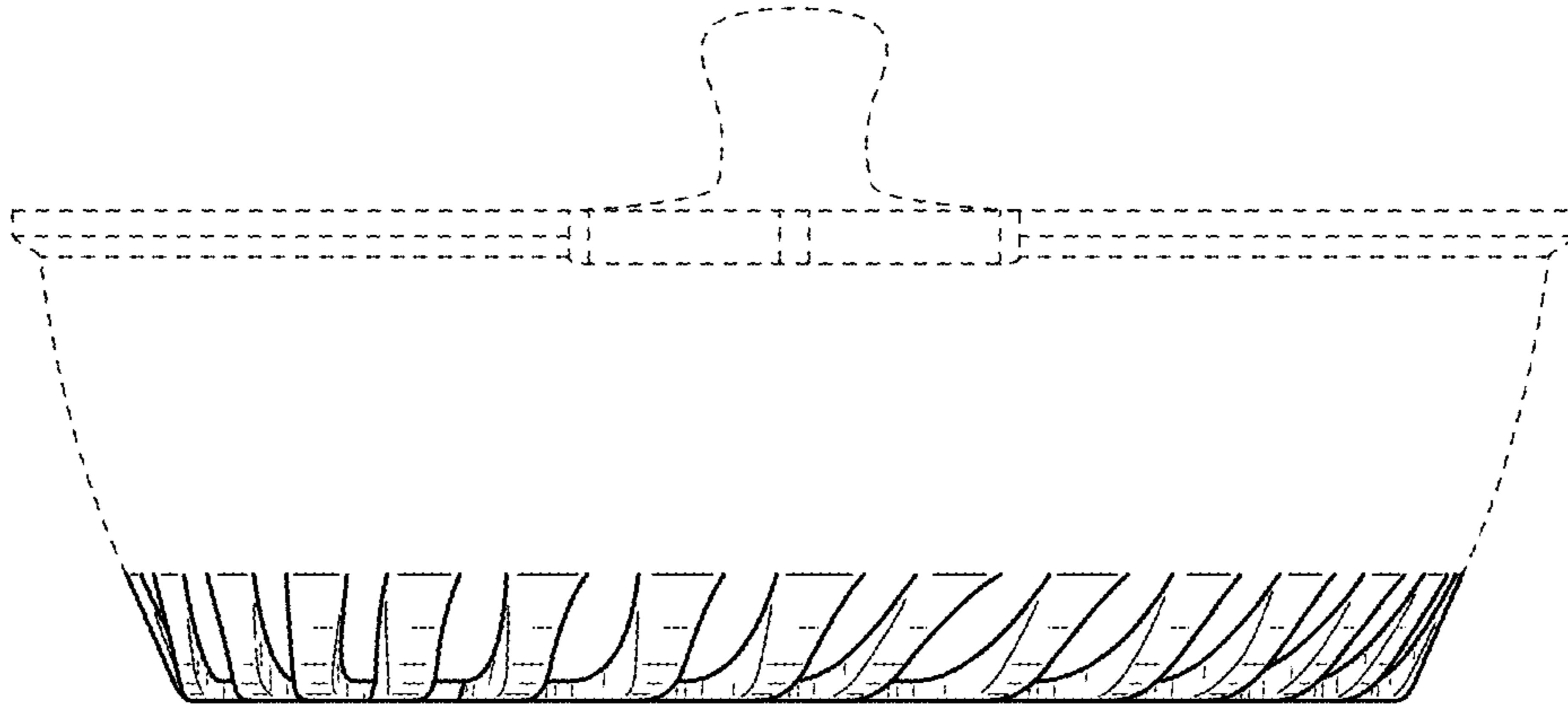


FIG. 2

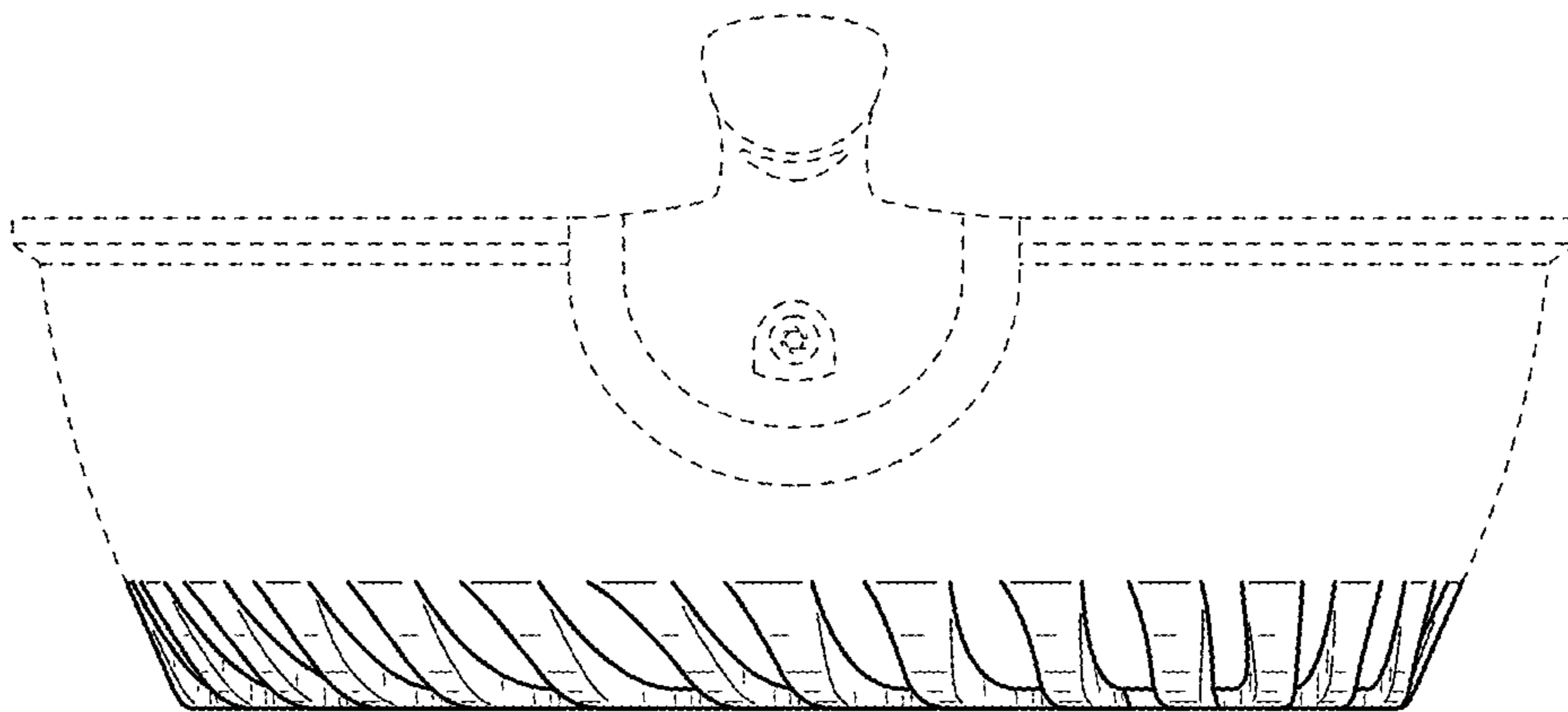


FIG. 3

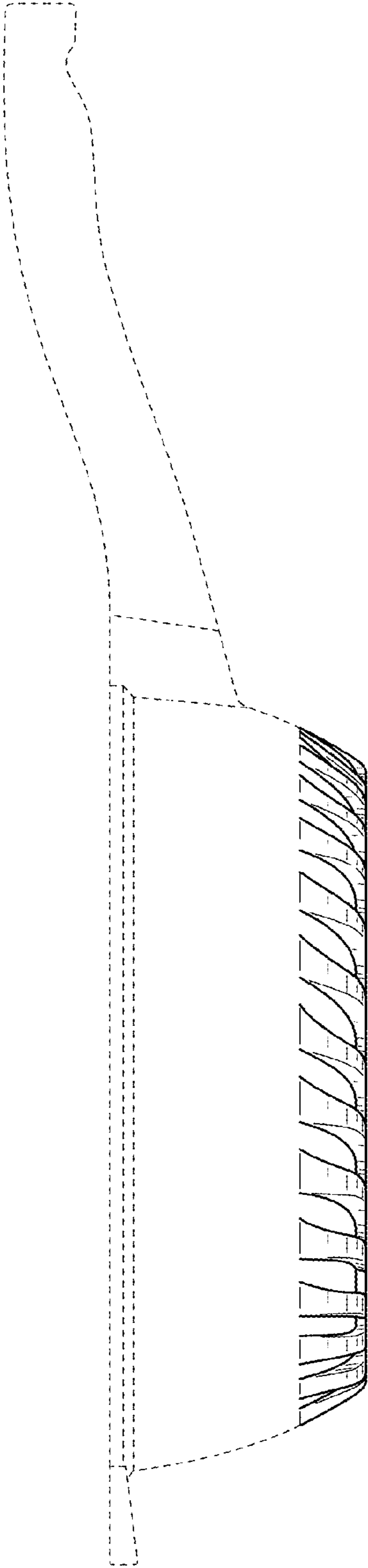


FIG. 4

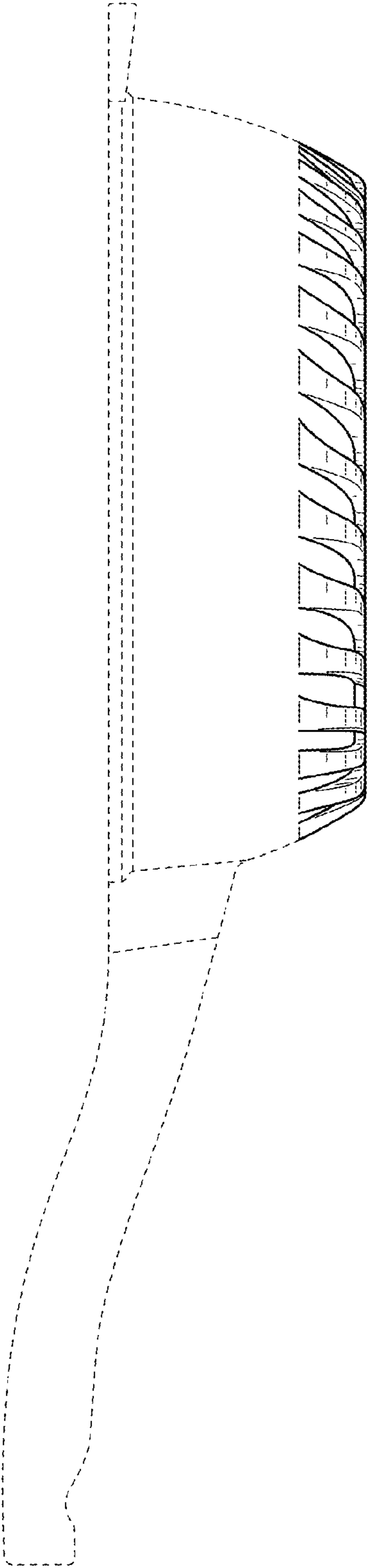


FIG. 5

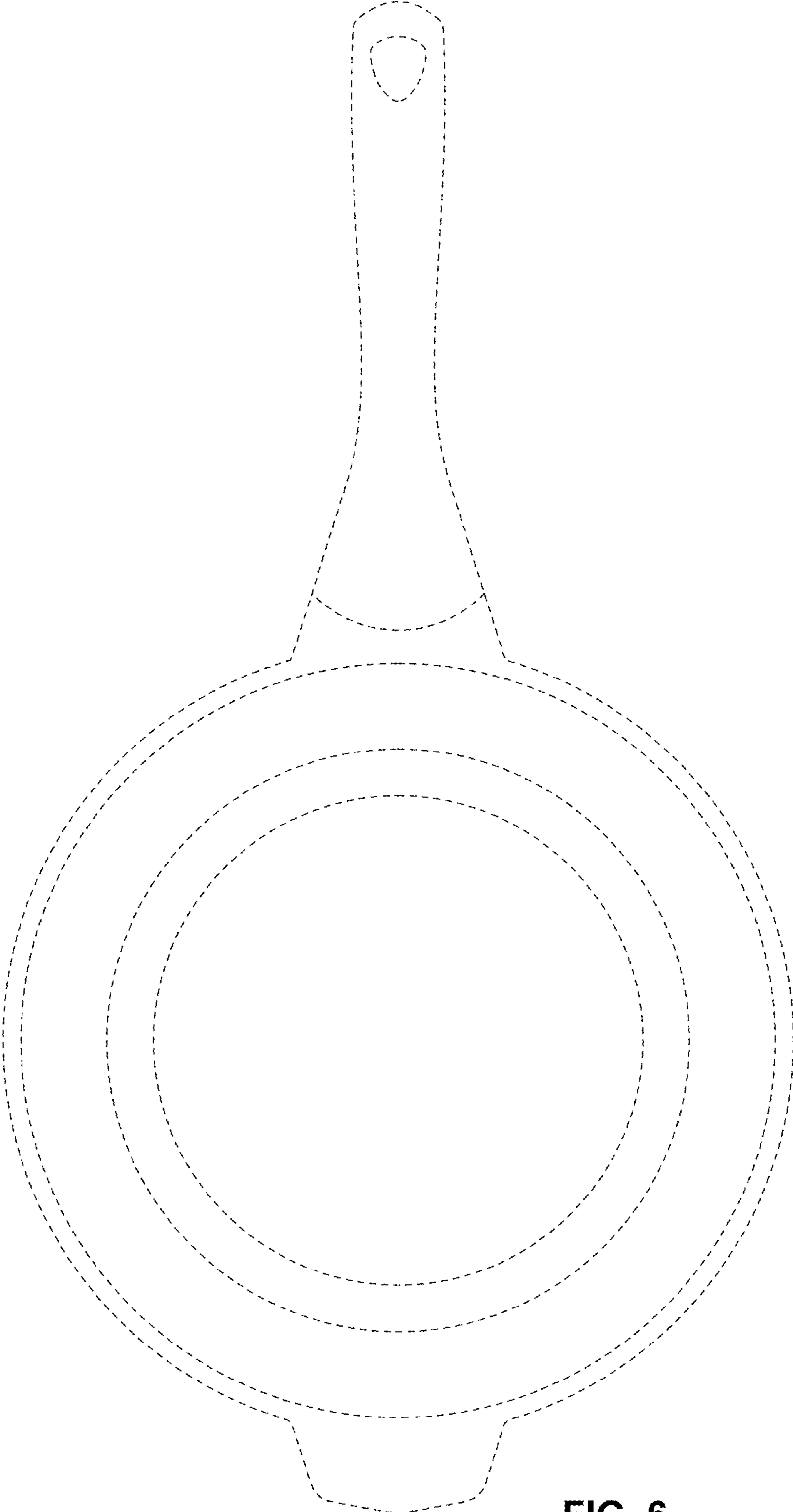


FIG. 6

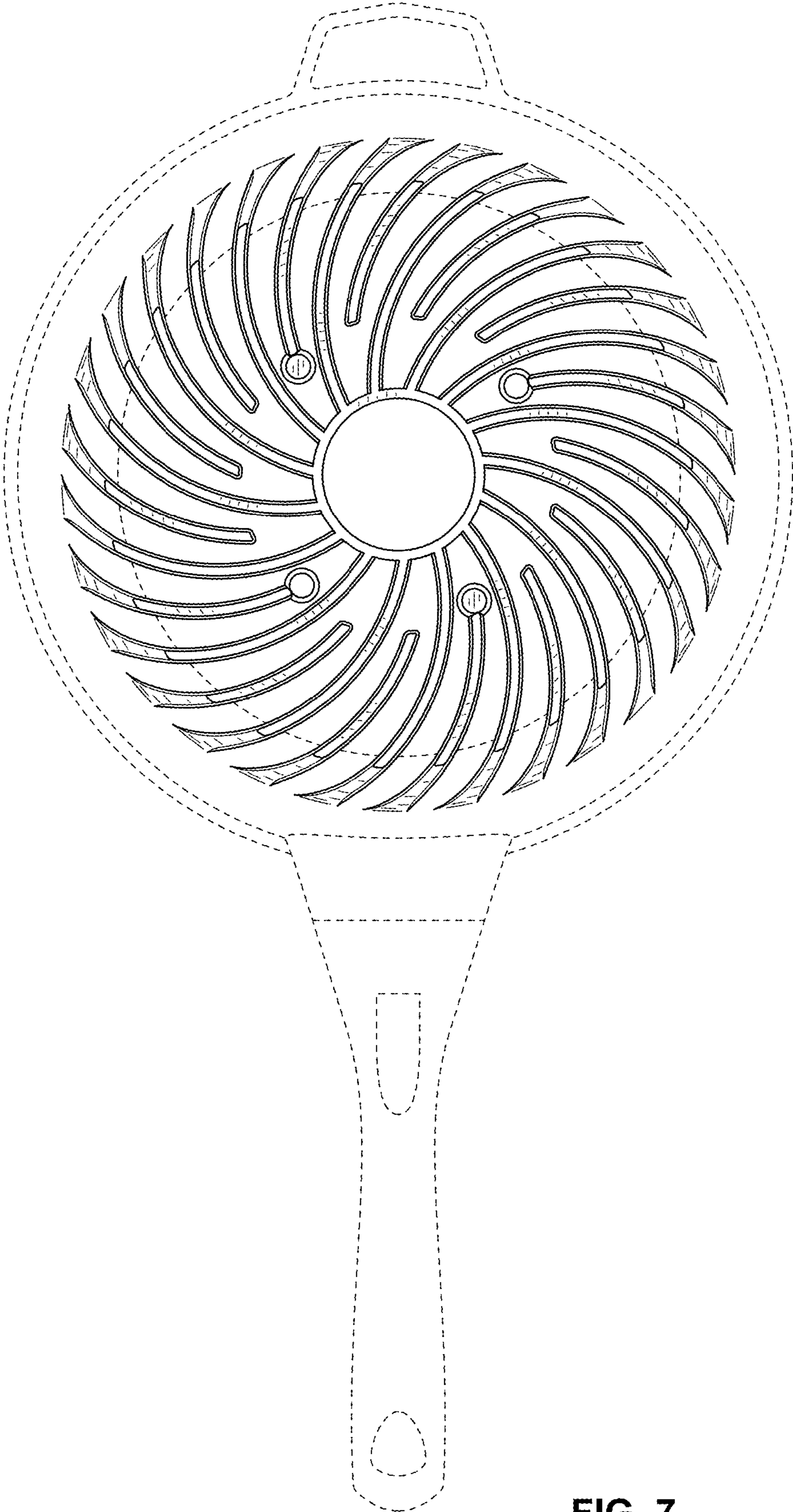


FIG. 7