



US00D710646S

(12) **United States Design Patent**
Börjesson

(10) **Patent No.:** **US D710,646 S**

(45) **Date of Patent:** **** Aug. 12, 2014**

- (54) **OVEN**
- (71) Applicant: **Electrolux Home Products Corporation N.V., Brussels (BE)**
- (72) Inventor: **Per Börjesson, Porcia (IT)**
- (73) Assignee: **Electrolux Home Products Corporation N.V. (BE)**
- (**) Term: **14 Years**
- (21) Appl. No.: **29/434,334**
- (22) Filed: **Oct. 11, 2012**
- (30) **Foreign Application Priority Data**

- Apr. 11, 2012 (EM) 002023945-0007
- Apr. 11, 2012 (EM) 002023945-0008
- Apr. 11, 2012 (EM) 002023945-0011
- Apr. 11, 2012 (EM) 002023945-0012
- Apr. 11, 2012 (EM) 002023945-0013
- Apr. 11, 2012 (EM) 002023945-0014
- Apr. 11, 2012 (EM) 002023945-0021
- Apr. 11, 2012 (EM) 002023945-0022

- (51) **LOC (10) CL.** **07-02**
- (52) **U.S. CL.**
USPC **D7/349**
- (58) **Field of Classification Search**
USPC D7/323, 331, 339, 340, 347, 348, 349,
D7/350.1, 350.3, 350.4, 351, 402, 405,
D7/406; D32/3; 126/21 R, 194, 198, 200,
126/273 R, 1 R, 19 R, 21 A, 273 A; 99/324
See application file for complete search history.

- (56) **References Cited**
U.S. PATENT DOCUMENTS

- 3,855,994 A * 12/1974 Evans et al. 126/198
- 5,881,710 A * 3/1999 Davis et al. 126/194

- D530,561 S * 10/2006 Kim D7/351
- D530,979 S * 10/2006 Huxhold et al. D7/405
- D534,035 S * 12/2006 Huxhold et al. D7/405
- D538,105 S * 3/2007 Huxhold et al. D7/405
- D580,698 S * 11/2008 Kim et al. D7/348
- D611,756 S * 3/2010 Yalcin et al. D7/349
- D612,207 S * 3/2010 Baker et al. D7/402
- 7,721,728 B2 * 5/2010 Ho Kim et al. 126/198
- D618,488 S * 6/2010 Knochner D7/350.1
- 7,819,113 B2 * 10/2010 Chin 126/200
- D626,782 S * 11/2010 Busalt et al. D7/349
- D646,113 S * 10/2011 Park et al. D7/348
- D654,299 S * 2/2012 Benold D7/350.1
- D654,313 S * 2/2012 Benold D7/402
- D654,314 S * 2/2012 Benold D7/405
- D654,315 S * 2/2012 Benold D7/405
- D664,388 S * 7/2012 Park et al. D7/348
- D668,106 S * 10/2012 Borjesson D7/405
- D668,107 S * 10/2012 Borjesson D7/405
- D668,108 S * 10/2012 Borjesson D7/405

(Continued)

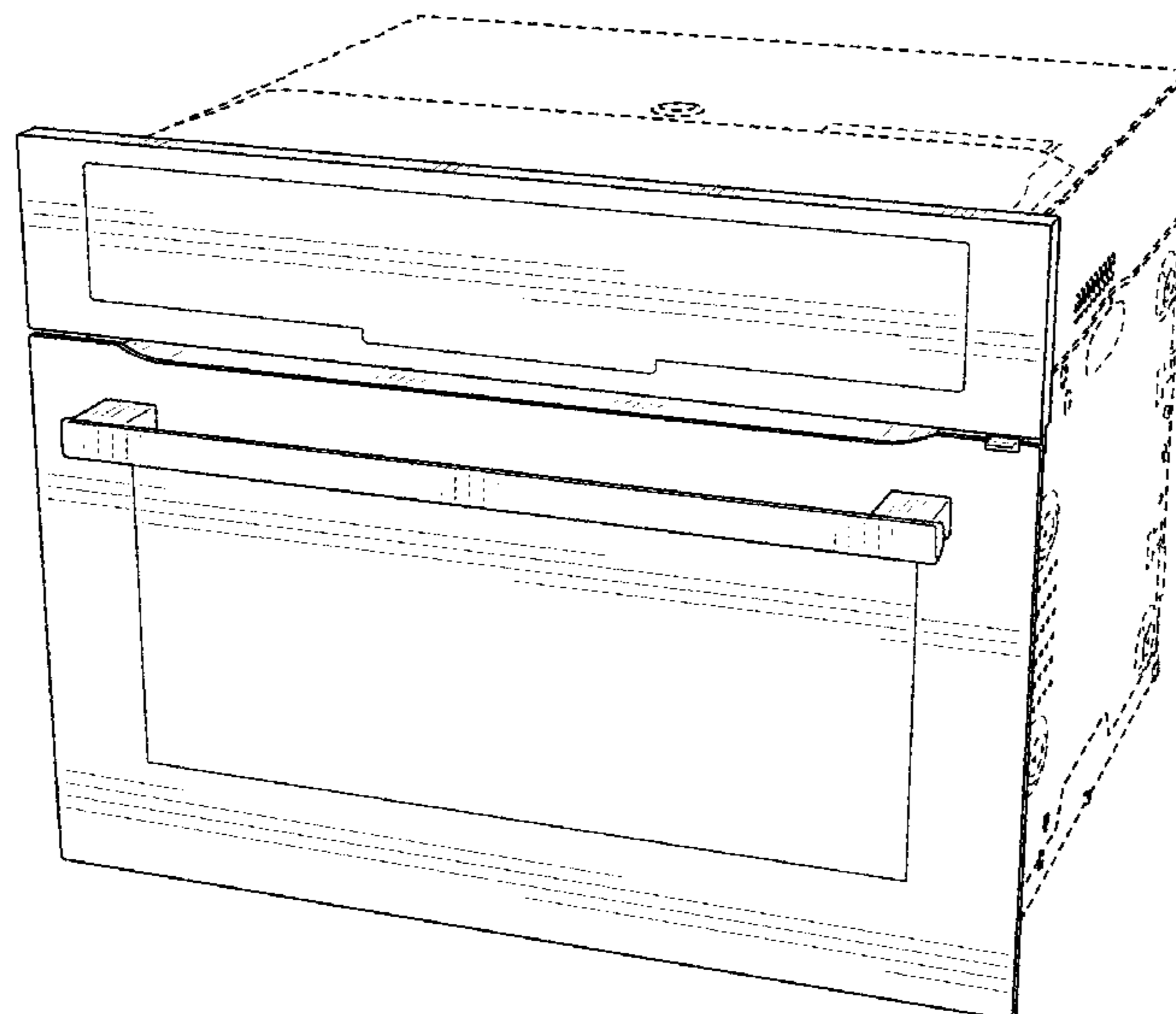
Primary Examiner — Caron D Veynar
Assistant Examiner — Martie K Holtje
 (74) *Attorney, Agent, or Firm* — Banner & Witcoff, Ltd.

- (57) **CLAIM**
The ornamental design for an oven, as shown and described.

DESCRIPTION

FIG. 1 is a perspective view of an oven showing my new design;
 FIG. 2 is a front view thereof;
 FIG. 3 is a top view thereof;
 FIG. 4 is a bottom view thereof;
 FIG. 5 is a right side view thereof; and,
 FIG. 6 is a left side view thereof.
 The structural features depicted by broken lines in the drawings have been shown for the purpose of illustrating portions of the oven that form no part of the claimed design.

1 Claim, 6 Drawing Sheets



US D710,646 S

Page 2

(56)

References Cited

U.S. PATENT DOCUMENTS

D668,109 S * 10/2012 Borjesson D7/406
D668,110 S * 10/2012 Borjesson D7/406
D668,111 S * 10/2012 Borjesson D7/406

D668,112 S * 10/2012 Borjesson D7/406
D677,024 S * 2/2013 Borjesson D32/3
2008/0184985 A1 * 8/2008 Hasslberger et al. 126/21 R
2009/0194092 A1 * 8/2009 Shon et al. 126/273 R
2010/0199966 A1 * 8/2010 Iwamoto et al. 126/21 R

* cited by examiner

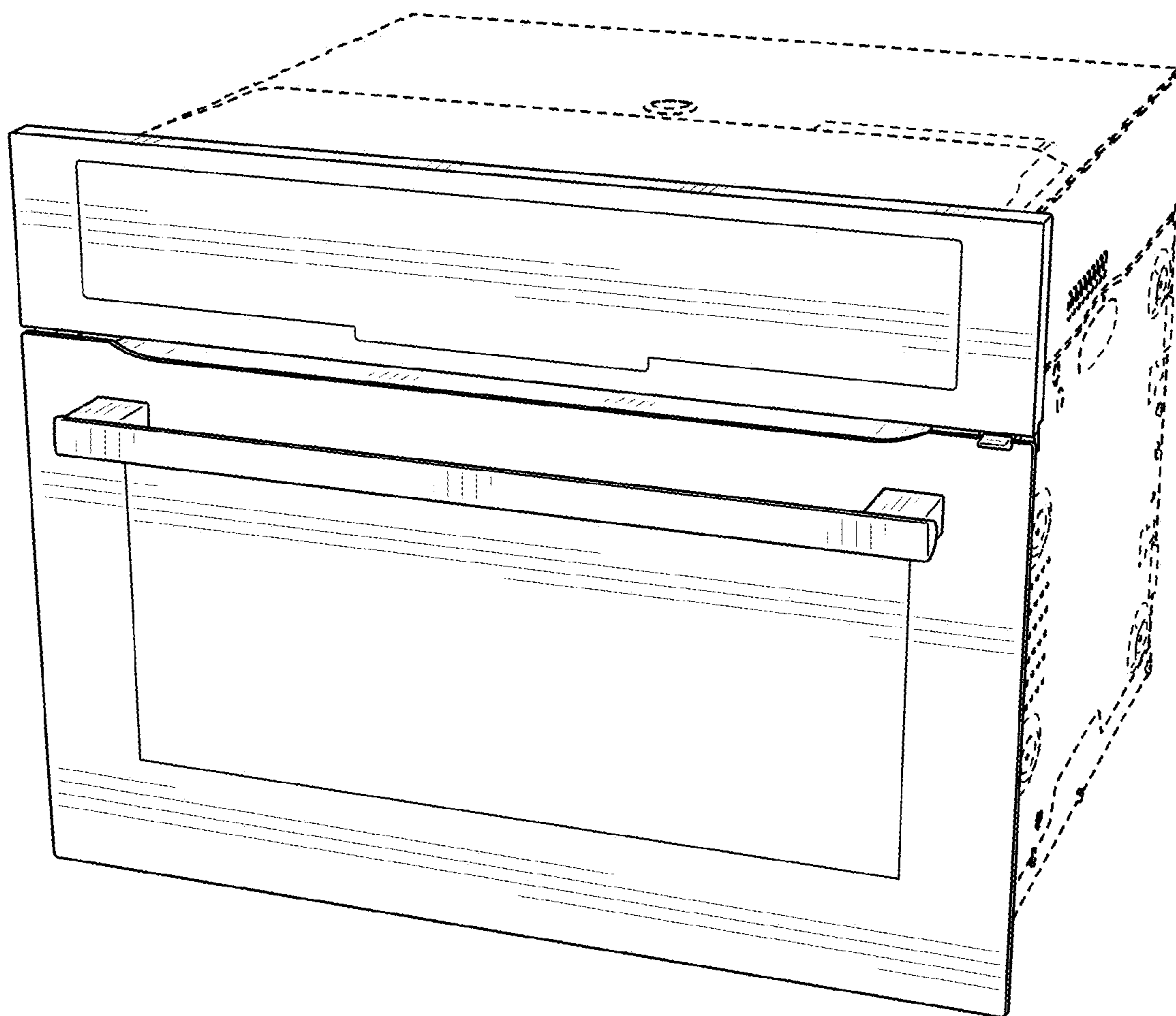


FIG. 1

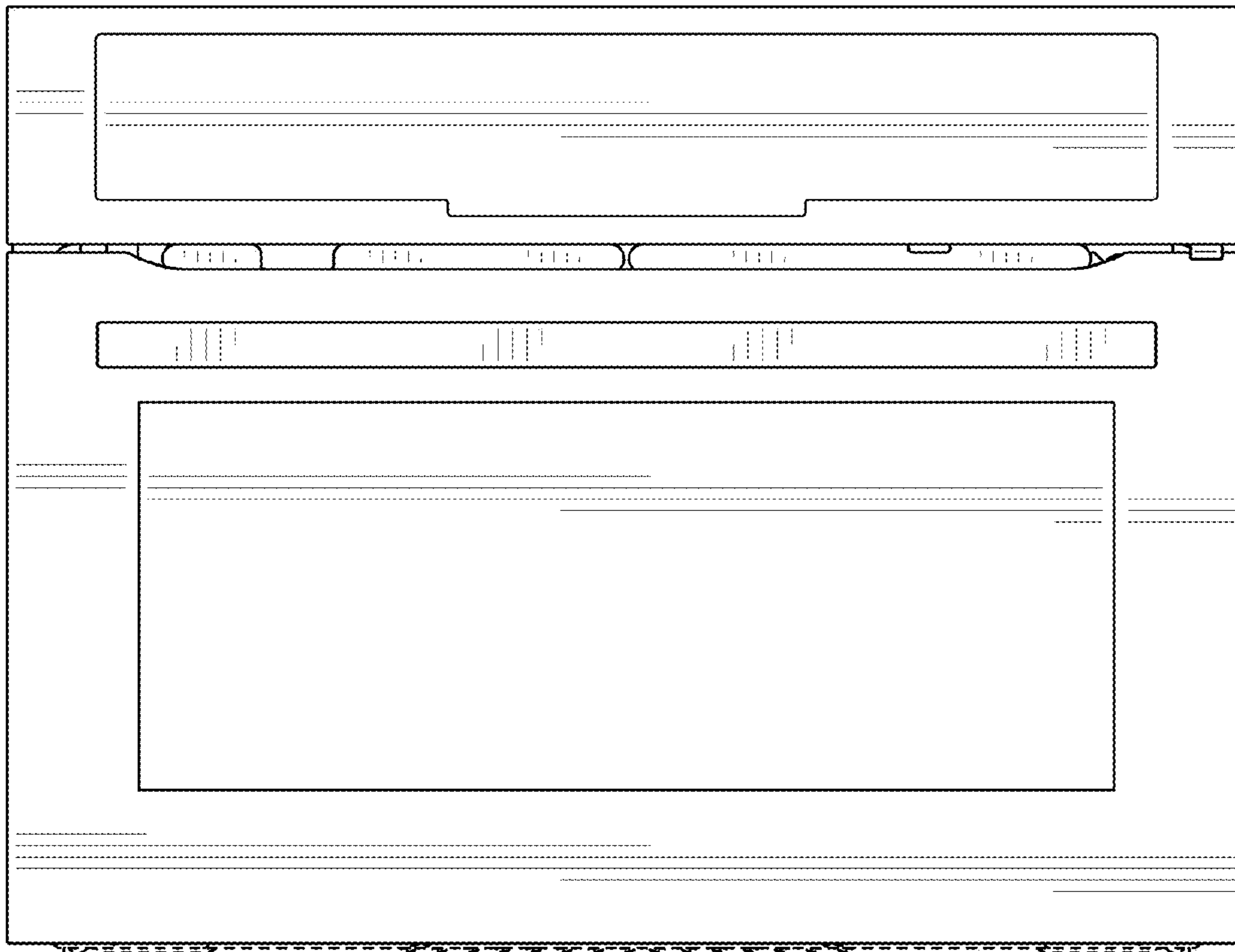


FIG. 2

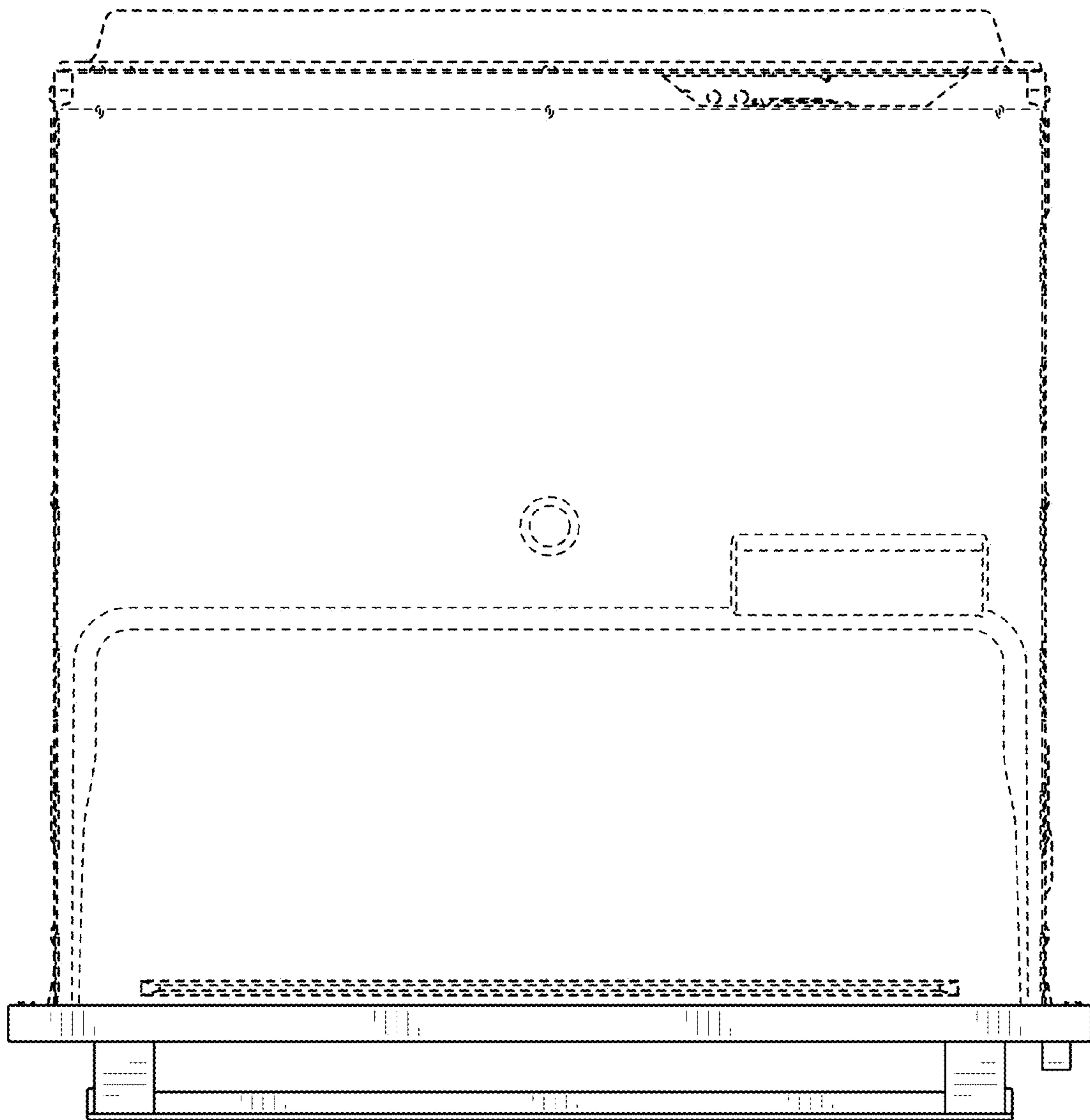


FIG. 3

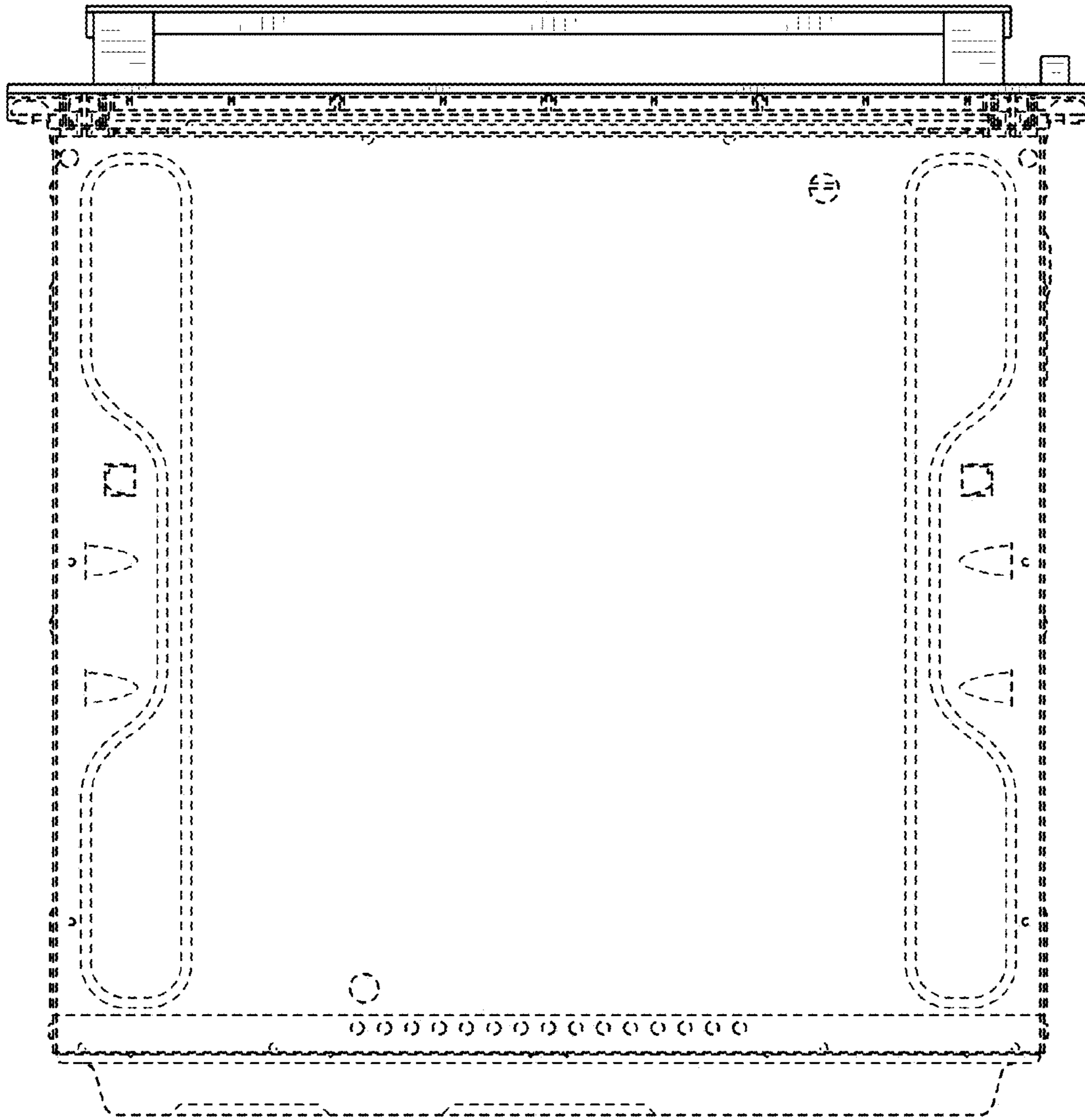


FIG. 4

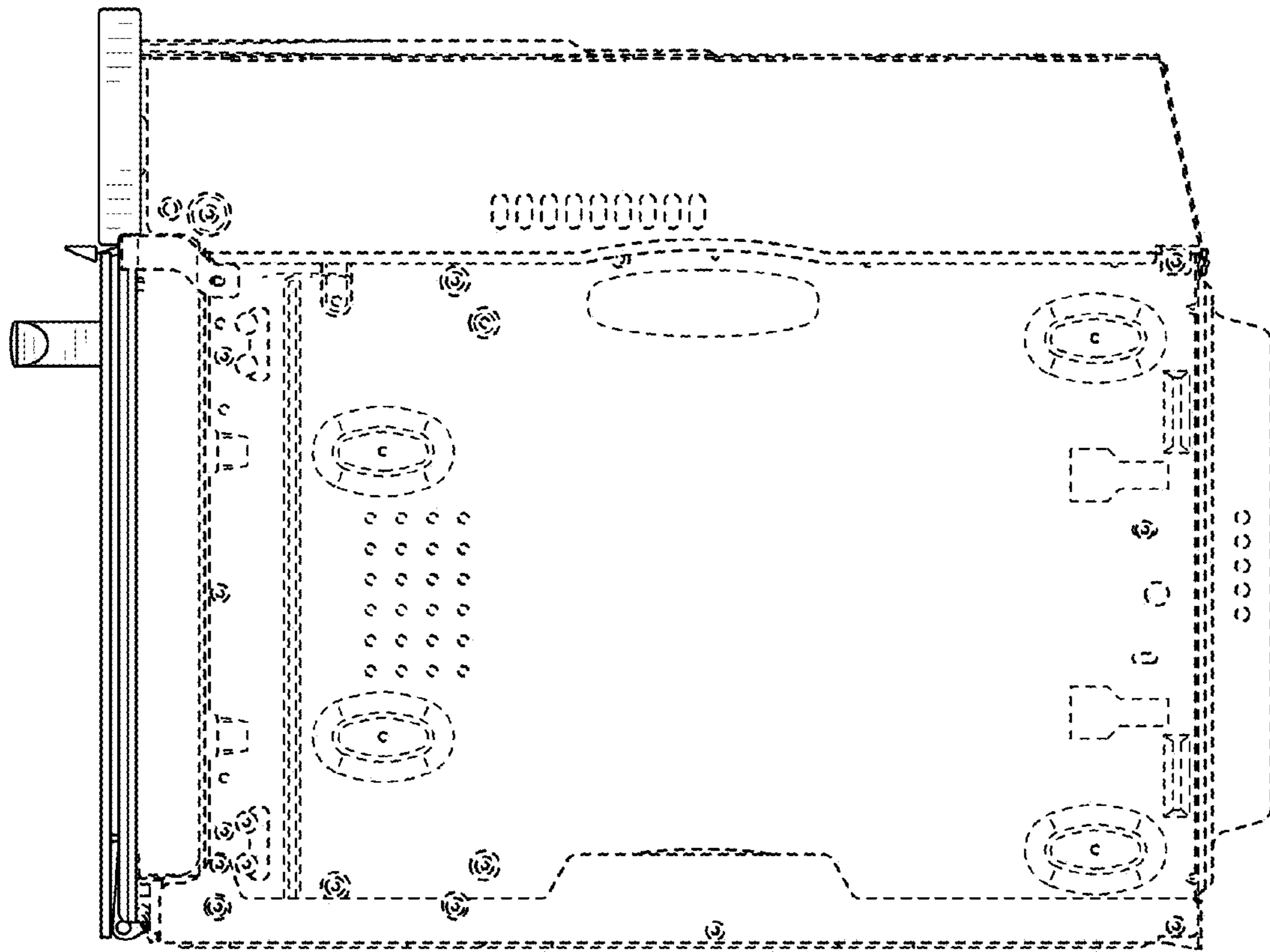


FIG. 5

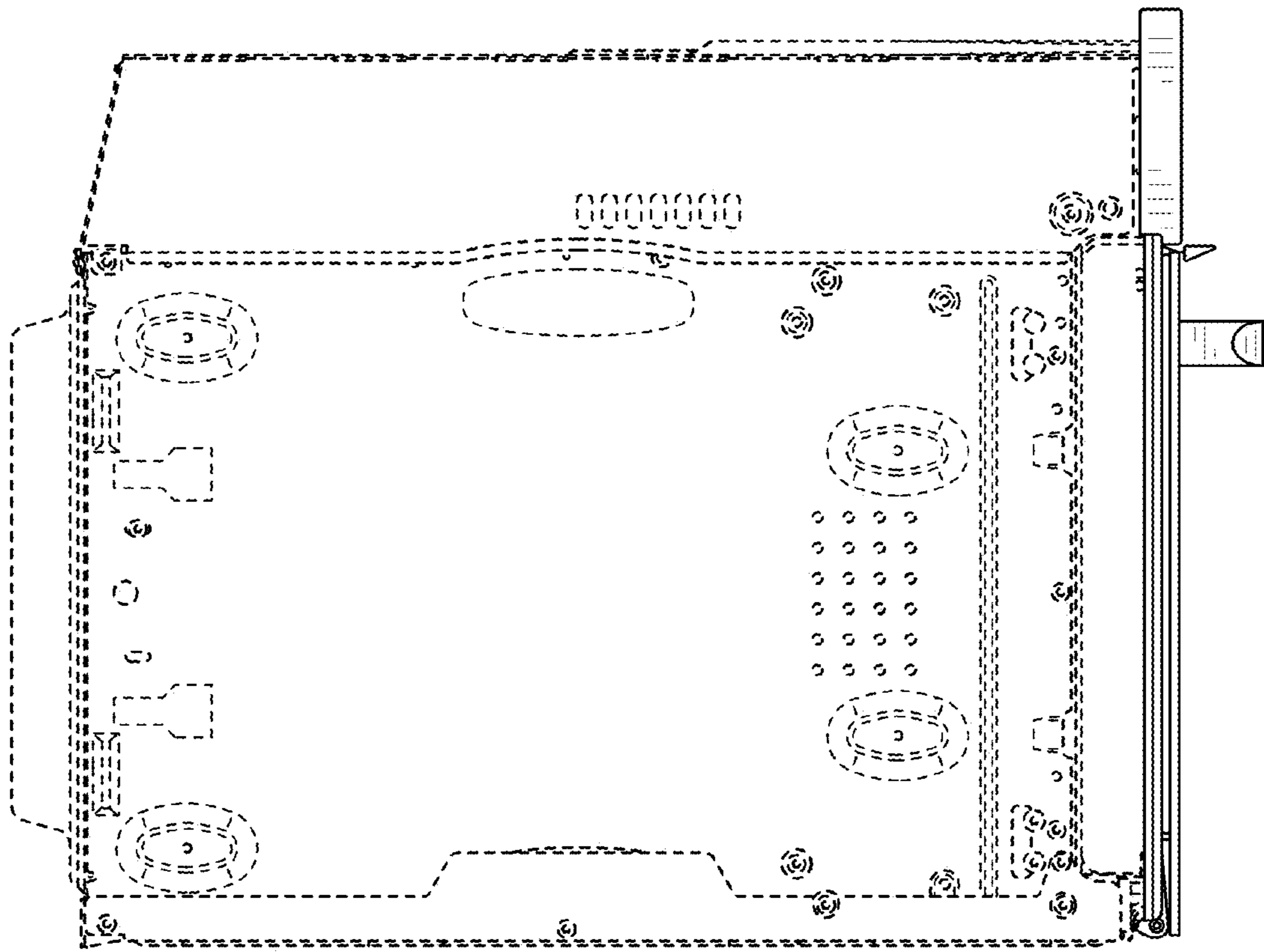


FIG. 6