



US00D710645S

(12) **United States Design Patent**  
**Kim et al.**

(10) **Patent No.:** **US D710,645 S**  
(45) **Date of Patent:** **\*\* Aug. 12, 2014**

(54) **ELECTRIC OVEN RANGE**  
(71) Applicant: **LG Electronics Inc.**, Seoul (KR)  
(72) Inventors: **Soo Yeon Kim**, Seoul (KR); **Jae Hun Chung**, Seoul (KR); **So Jin Park**, Seoul (KR); **Seon Il Yu**, Seoul (KR)  
(73) Assignee: **LG Electronics Inc.**, Seoul (KR)  
(\*\*) Term: **14 Years**

4,869,231 A \* 9/1989 Rice et al. .... 126/214 R  
D375,867 S \* 11/1996 Sparks ..... D7/340  
D521,317 S \* 5/2006 Hessen et al. .... D7/405  
D536,208 S \* 2/2007 Ostlund et al. .... D7/340  
D536,568 S \* 2/2007 Ostlund et al. .... D7/340  
D555,976 S \* 11/2007 Baldwin ..... D7/405  
D564,282 S \* 3/2008 Suh et al. .... D7/340  
D604,987 S \* 12/2009 Jung et al. .... D7/348  
D612,678 S \* 3/2010 Baker et al. .... D7/405  
D612,680 S \* 3/2010 Baker et al. .... D7/405  
D612,683 S \* 3/2010 Baker et al. .... D7/405  
D612,685 S \* 3/2010 Baker et al. .... D7/405  
7,766,005 B2 \* 8/2010 Lee et al. .... 126/39 J  
7,878,189 B2 \* 2/2011 Lee et al. .... 126/299 D

(21) Appl. No.: **29/466,195**

\* cited by examiner

(22) Filed: **Sep. 5, 2013**

*Primary Examiner* — Martie K Holtje

(30) **Foreign Application Priority Data**

(74) *Attorney, Agent, or Firm* — Birch, Stewart, Kolasch & Birch, LLP

Mar. 6, 2013 (KR) ..... 30-2013-0011429

(51) **LOC (10) Cl.** ..... **07-02**

(52) **U.S. Cl.**  
USPC ..... **D7/340**

(58) **Field of Classification Search**  
USPC ..... D7/323, 339, 340, 341, 342, 346, 347, D7/348, 349, 402–409, 387; 126/1 R, 19 R, 126/39 R, 39 J, 39 E, 41 R, 211, 273 R, 198, 126/152 R, 214 A, 214 C, 215–218, 39 A, 126/299 D; 219/460.1–464.1, 506, 219/621–624, 627, 480, 483, 445.1, 660, 219/665, 448.1, 452.12, 538, 552; 307/104; 99/339, 340, 342; 432/176

See application file for complete search history.

(56) **References Cited**

**U.S. PATENT DOCUMENTS**

4,020,821 A \* 5/1977 Reid et al. .... 126/39 E  
4,024,839 A \* 5/1977 Reid et al. .... 126/39 J

(57) **CLAIM**

We claim the ornamental design for an electric oven range, as shown and described.

**DESCRIPTION**

FIG. 1 is a perspective view of an electric oven range showing the new design;

FIG. 2 is a front elevation view thereof;

FIG. 3 is a rear elevation view thereof;

FIG. 4 is a left-side elevation view thereof;

FIG. 5 is a right-side elevation view thereof;

FIG. 6 is a top plan view thereof; and,

FIG. 7 is a bottom plan view thereof.

The structural elements depicted by broken lines in FIG. 7 have been shown for the purpose of illustrating portions of the electric oven range that form no part of the claimed design.

The broken lines in FIG. 3 represent boundaries, the areas within which form no part of the claimed design.

**1 Claim, 6 Drawing Sheets**

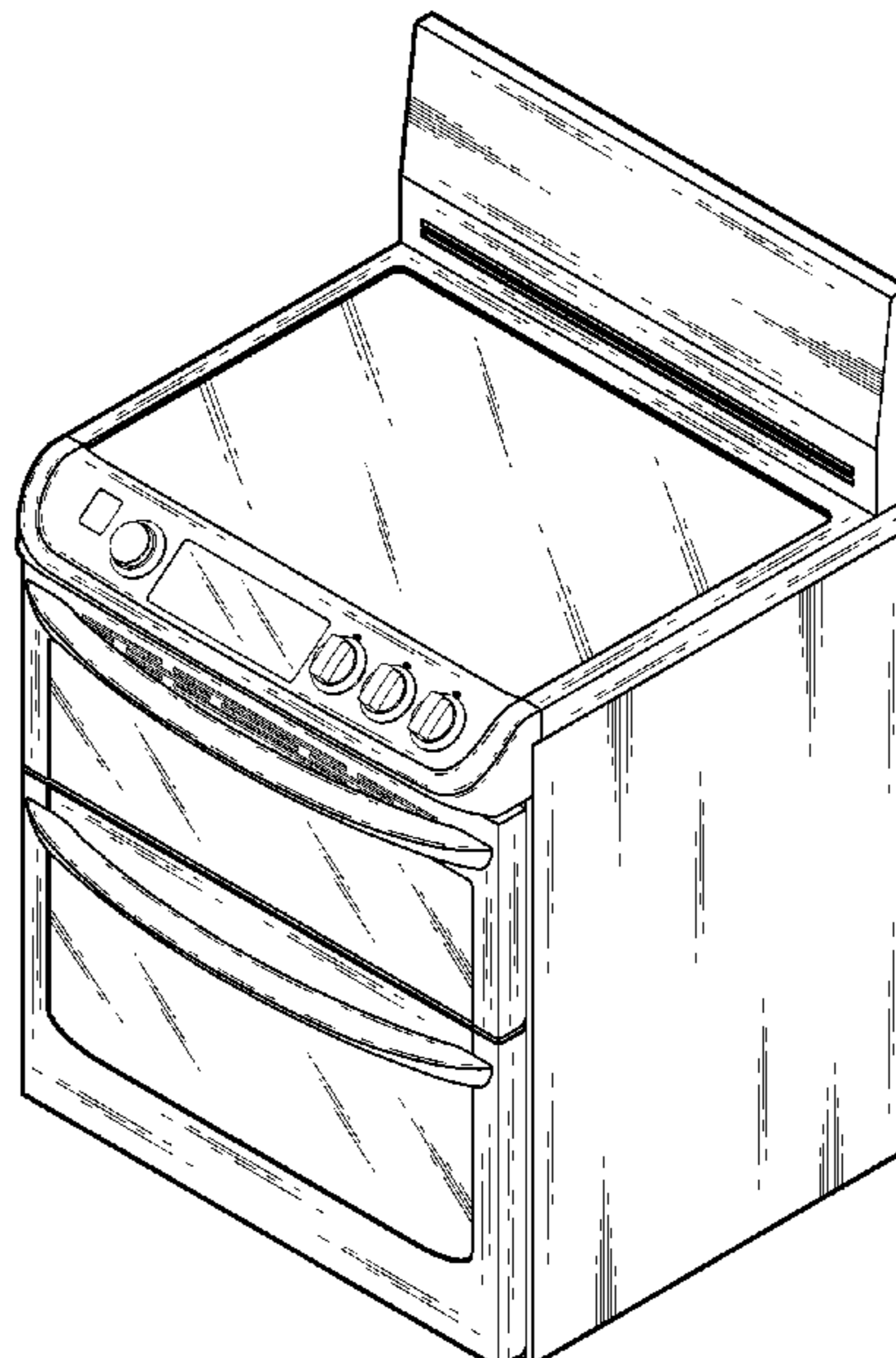


FIG. 1

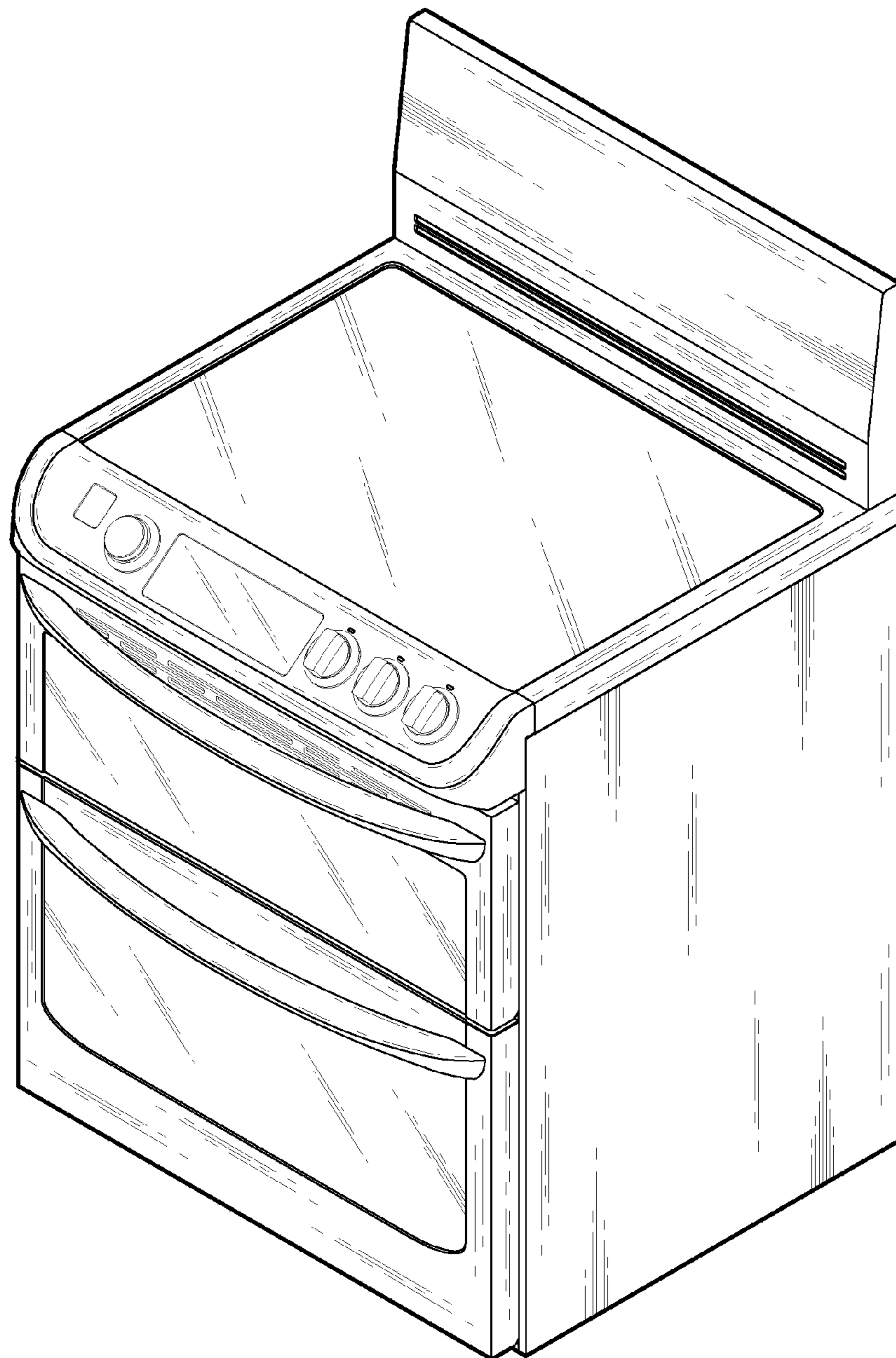


FIG. 2

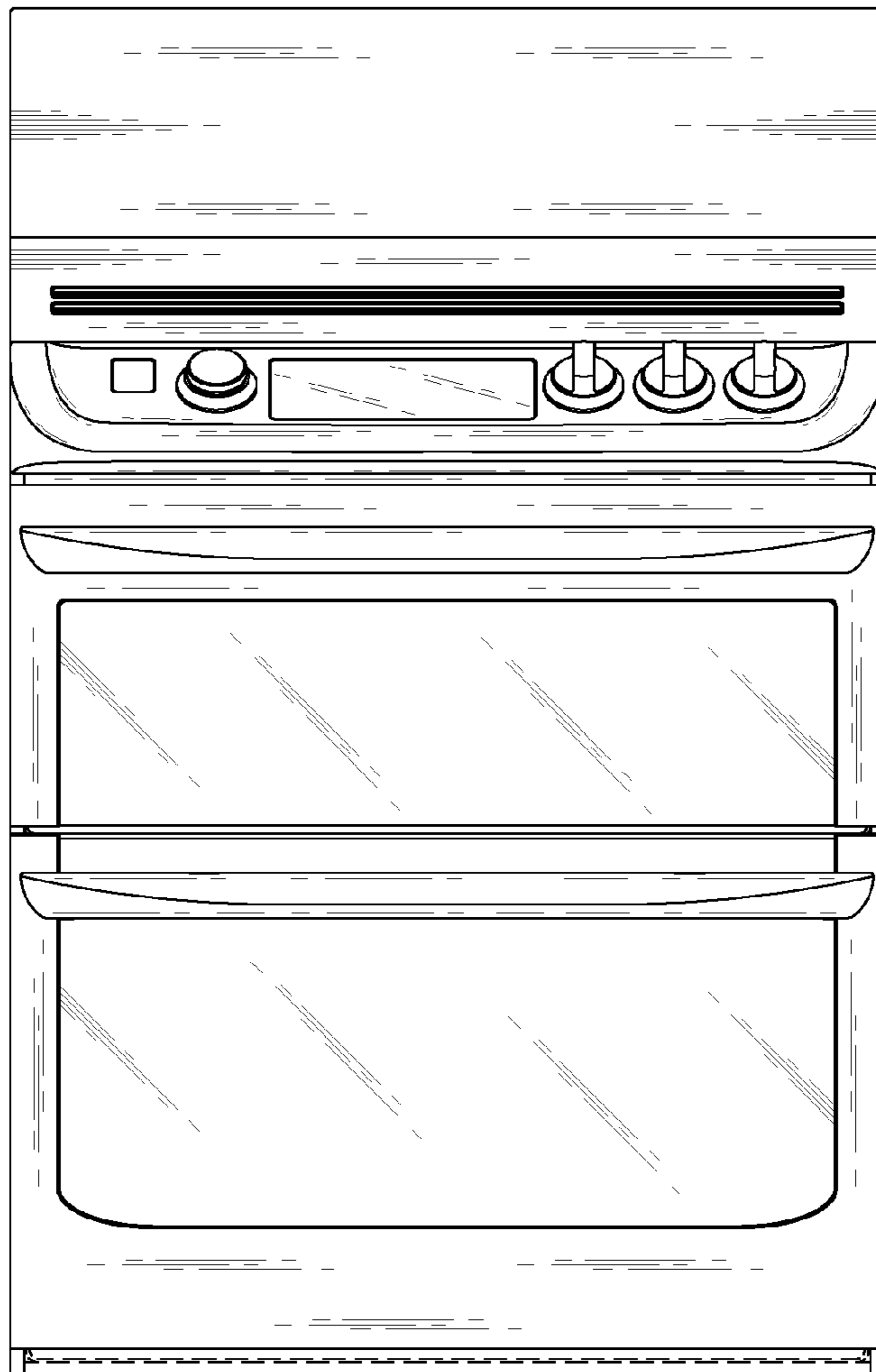


FIG. 3

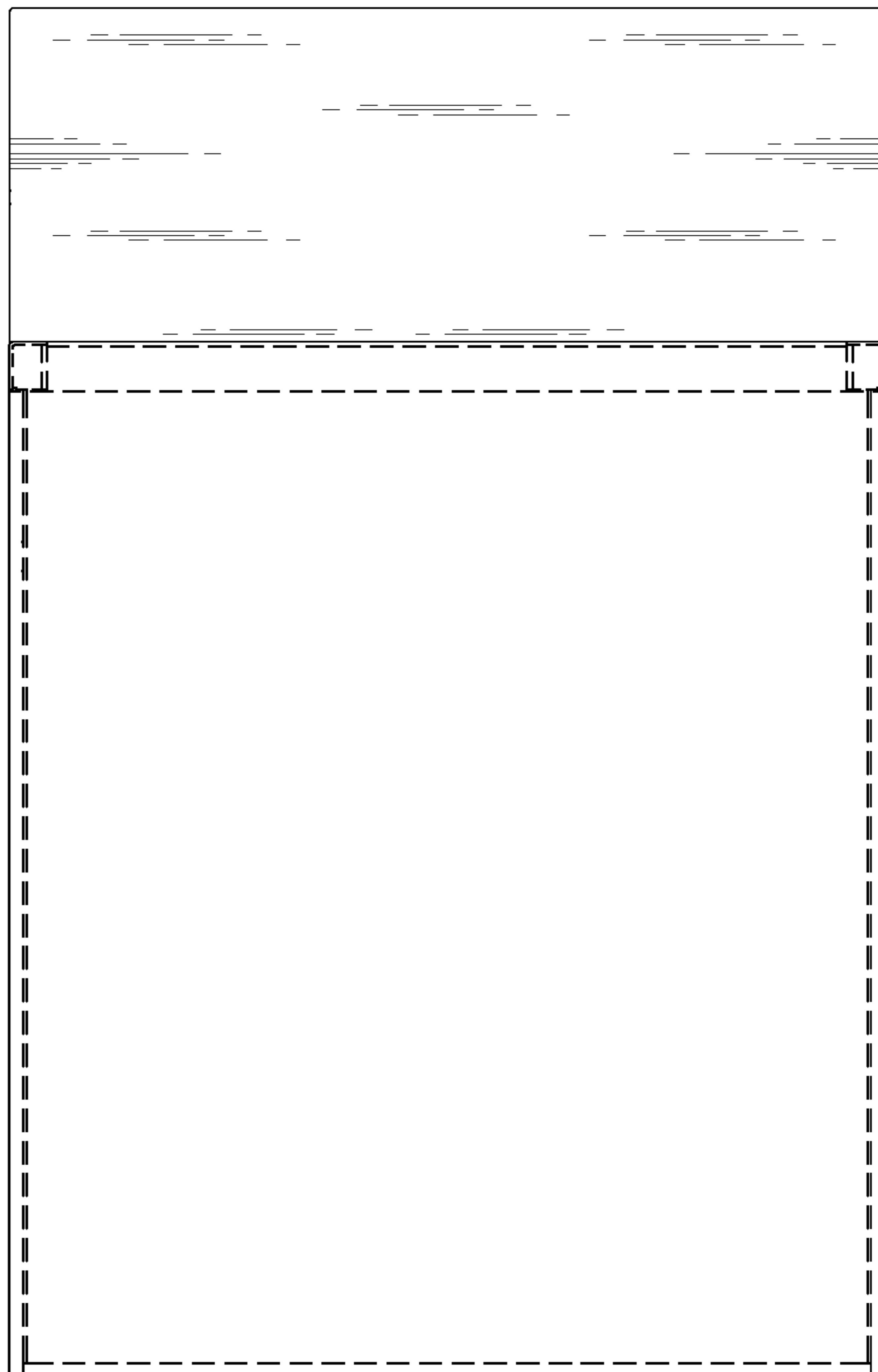


FIG. 4

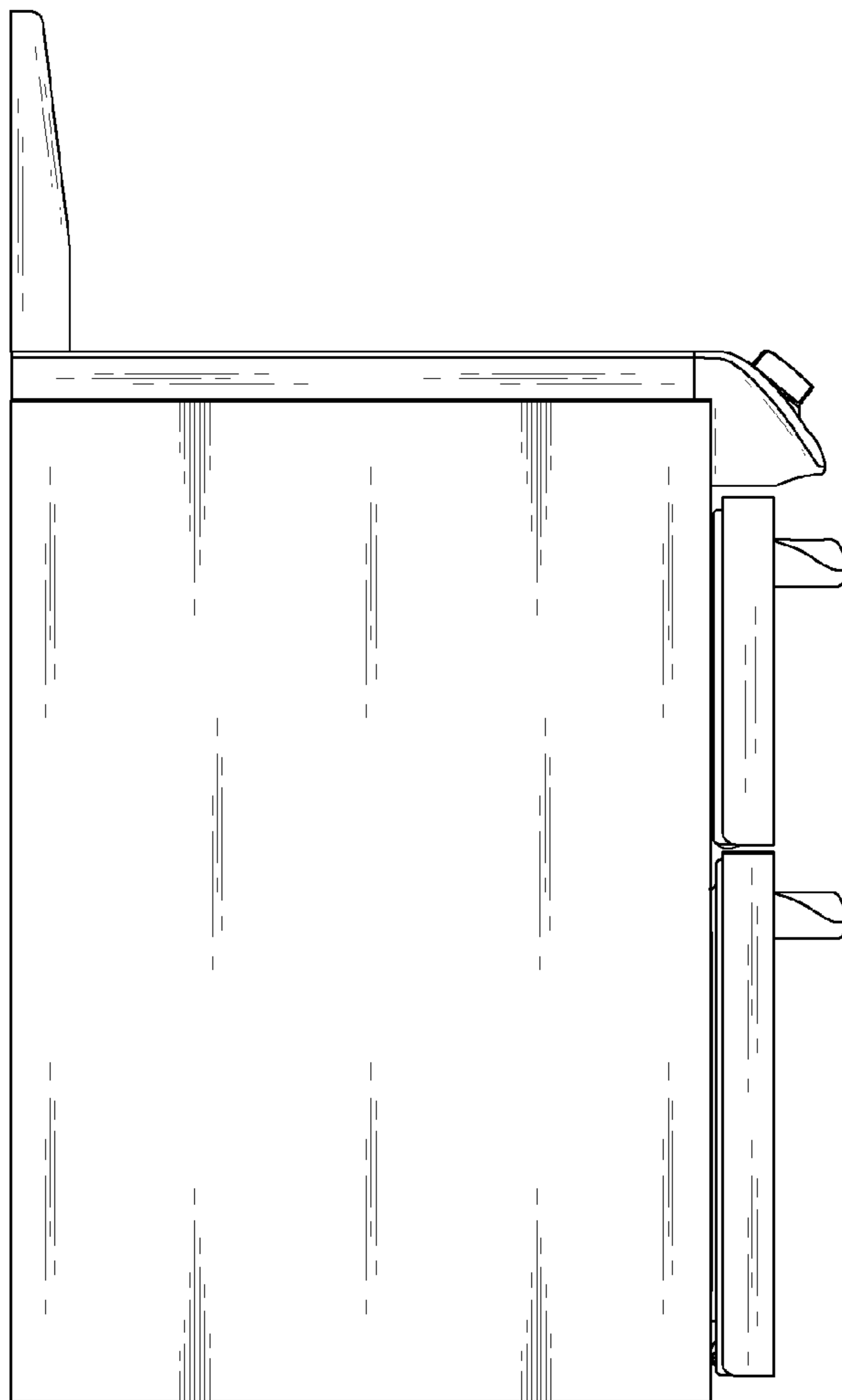


FIG. 5

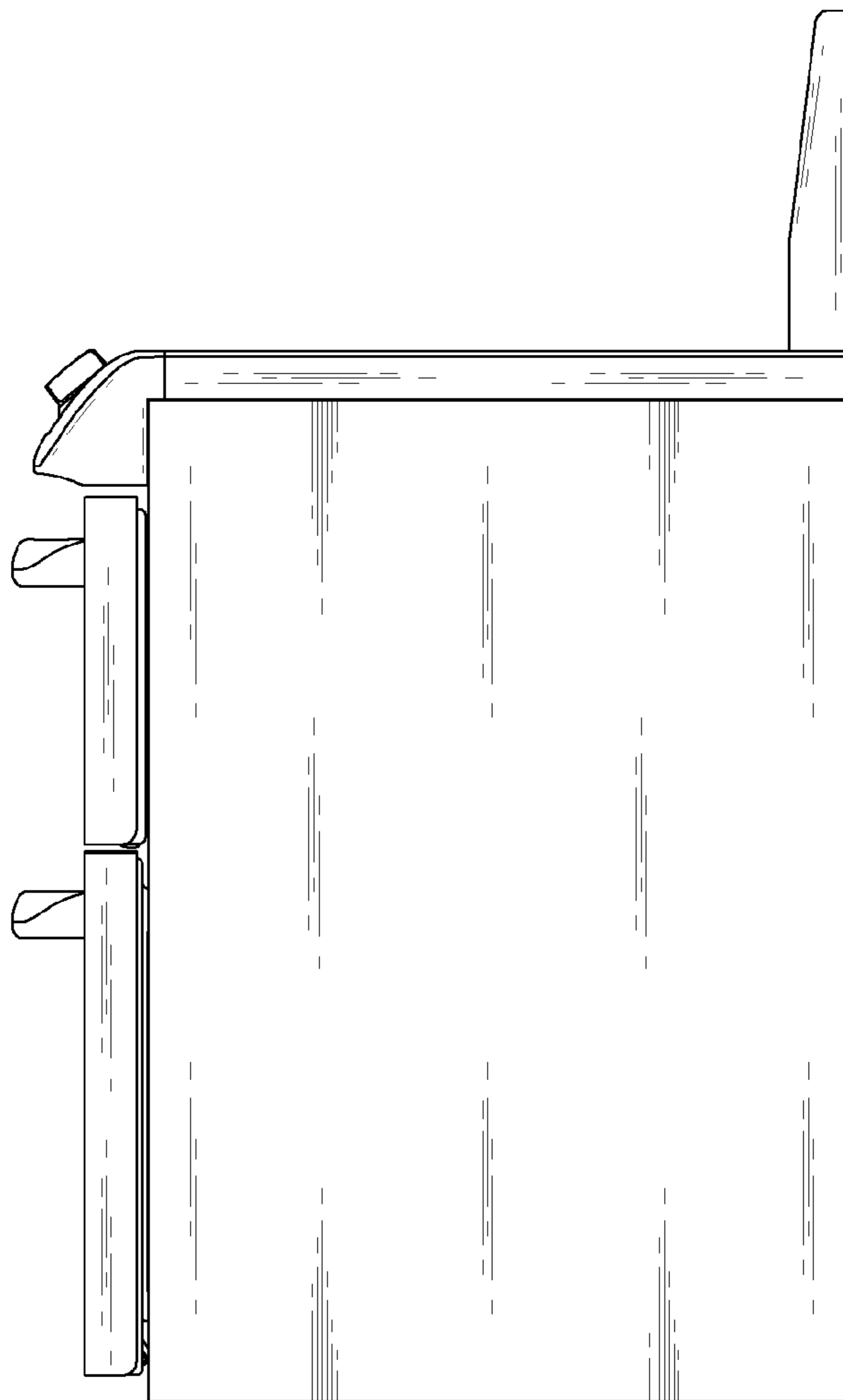


FIG. 6

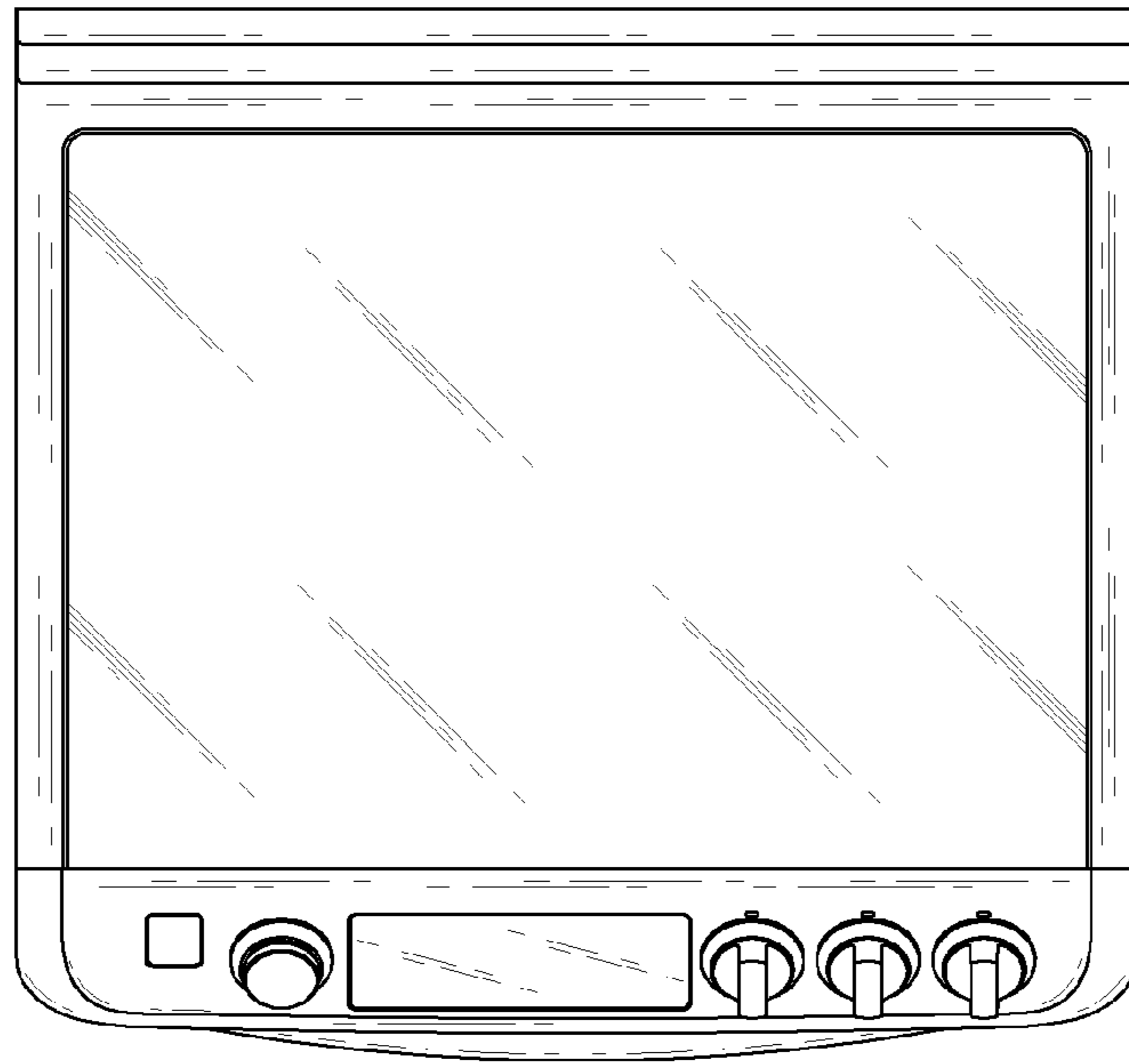


FIG. 7

