

US00D710643S

(12) **United States Design Patent**  
**Broen et al.**

(10) **Patent No.:** **US D710,643 S**

(45) **Date of Patent:** **\*\* Aug. 12, 2014**

(54) **DISPENSER**

(71) Applicant: **PepsiCo, Inc.**, Purchase, NY (US)

(72) Inventors: **Martin Eduardo Broen**, New York, NY (US); **Stephen Lim**, Chappaqua, NY (US); **Martin Ivar Franzen**, Milan (IT)

(73) Assignee: **PepsiCo, Inc.**, Purchase, NY (US)

(\*\*) Term: **14 Years**

(21) Appl. No.: **29/453,963**

(22) Filed: **May 3, 2013**

(51) **LOC (10) Cl.** ..... **07-01**

(52) **U.S. Cl.**

USPC ..... **D7/306**; D7/313; D7/311

(58) **Field of Classification Search**

USPC ..... D7/306-311, 300, 305, 313; 99/282, 99/279, 280, 300, 305, 323.3; 222/146.5, 222/129.1, 146.6; D20/1; D23/207, 209

See application file for complete search history.

(56) **References Cited**

**U.S. PATENT DOCUMENTS**

D43,666 S	3/1913	Branning	
D153,541 S *	4/1949	Otto	D20/1
D183,532 S *	9/1958	McCauley	D7/311
D185,148 S *	5/1959	Hebel	D20/1
D230,882 S	3/1974	Winsett	
D290,330 S *	6/1987	Lagace	D7/306
D297,697 S *	9/1988	Fossella	D7/311
D309,395 S *	7/1990	Thompson et al.	D7/311
D332,200 S *	1/1993	Credle, Jr.	D7/311
D359,649 S *	6/1995	Salkeld et al.	D7/307
D365,962 S	1/1996	Amundsen et al.	
D367,797 S *	3/1996	Hauser et al.	D7/307
D382,761 S	8/1997	Ford	

D418,365 S	1/2000	Ford	
D467,764 S	12/2002	Harrison et al.	
D544,919 S *	6/2007	Roekens et al.	D20/1
D554,930 S *	11/2007	Lavy	D7/307
D555,968 S *	11/2007	Pfeifer et al.	D7/306
D585,690 S *	2/2009	Dammkoehler	D7/307
D597,605 S *	8/2009	Davis	D20/1
D620,511 S *	7/2010	Publ et al.	D15/199
D627,187 S *	11/2010	Voron et al.	D7/307
D638,513 S *	5/2011	Choi	D23/207
D642,851 S	8/2011	Yui	
D643,240 S *	8/2011	Yui	D7/307
D643,666 S *	8/2011	Yui	D7/307
D643,667 S *	8/2011	Yui	D7/307
D643,668 S *	8/2011	Yui	D7/307
8,006,866 B2	8/2011	Minard et al.	
D644,712 S *	9/2011	Seo et al.	D23/207
D683,173 S *	5/2013	Liang	D7/306

\* cited by examiner

*Primary Examiner* — Marianne Pandozzi

(74) *Attorney, Agent, or Firm* — Banner & Witcoff, Ltd.

(57) **CLAIM**

The ornamental design for a dispenser, as shown and described.

**DESCRIPTION**

FIG. 1 is a front, left perspective view of a dispenser showing our new design;

FIG. 2 is a front view thereof;

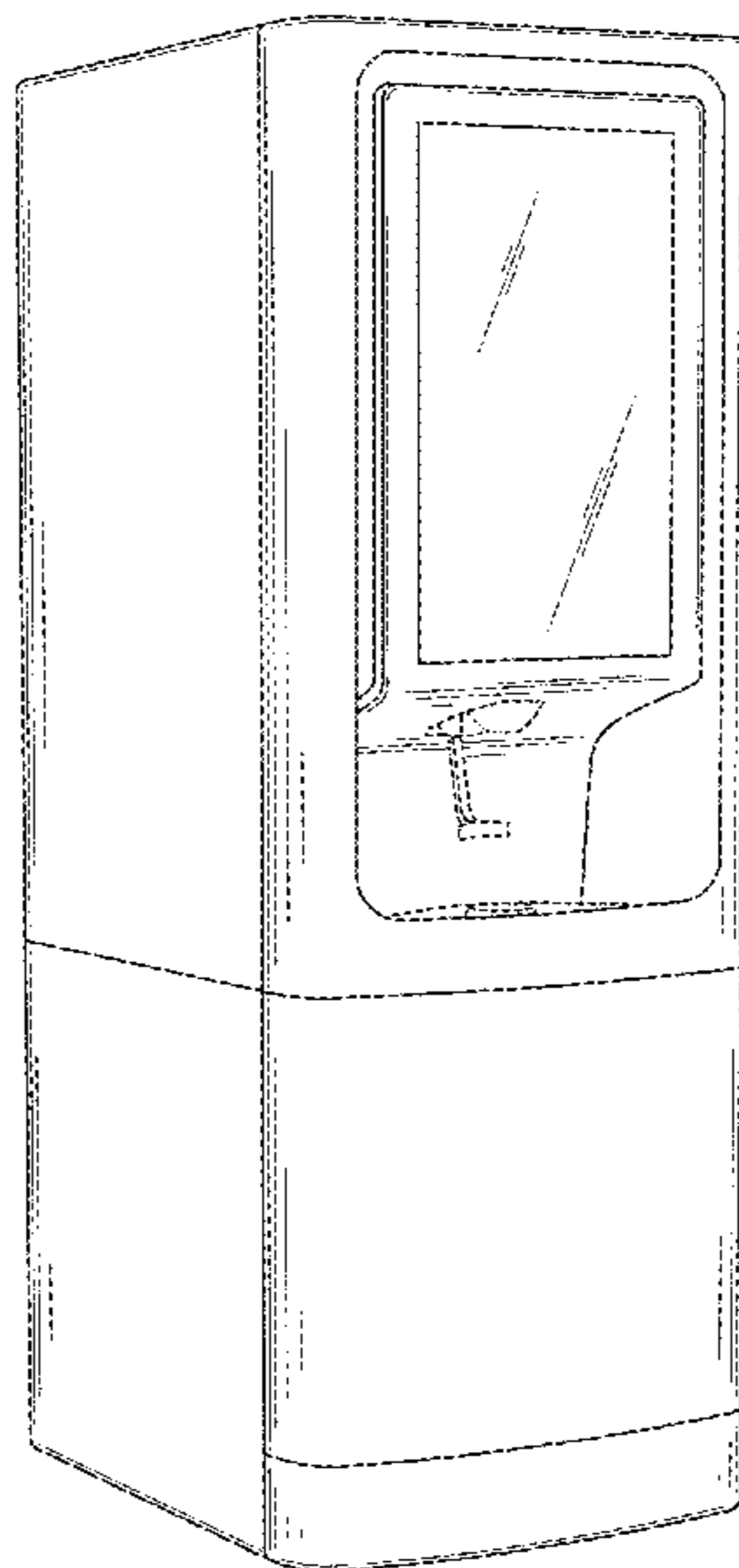
FIG. 3 is a right side view thereof;

FIG. 4 is a left side view thereof; and,

FIG. 5 is a top view thereof.

The broken lines immediately adjacent to the shaded area represent unclaimed boundaries of the design. The broken lines showing the remainder of the dispenser are for environmental purposes only and form no part of the claimed design.

**1 Claim, 5 Drawing Sheets**



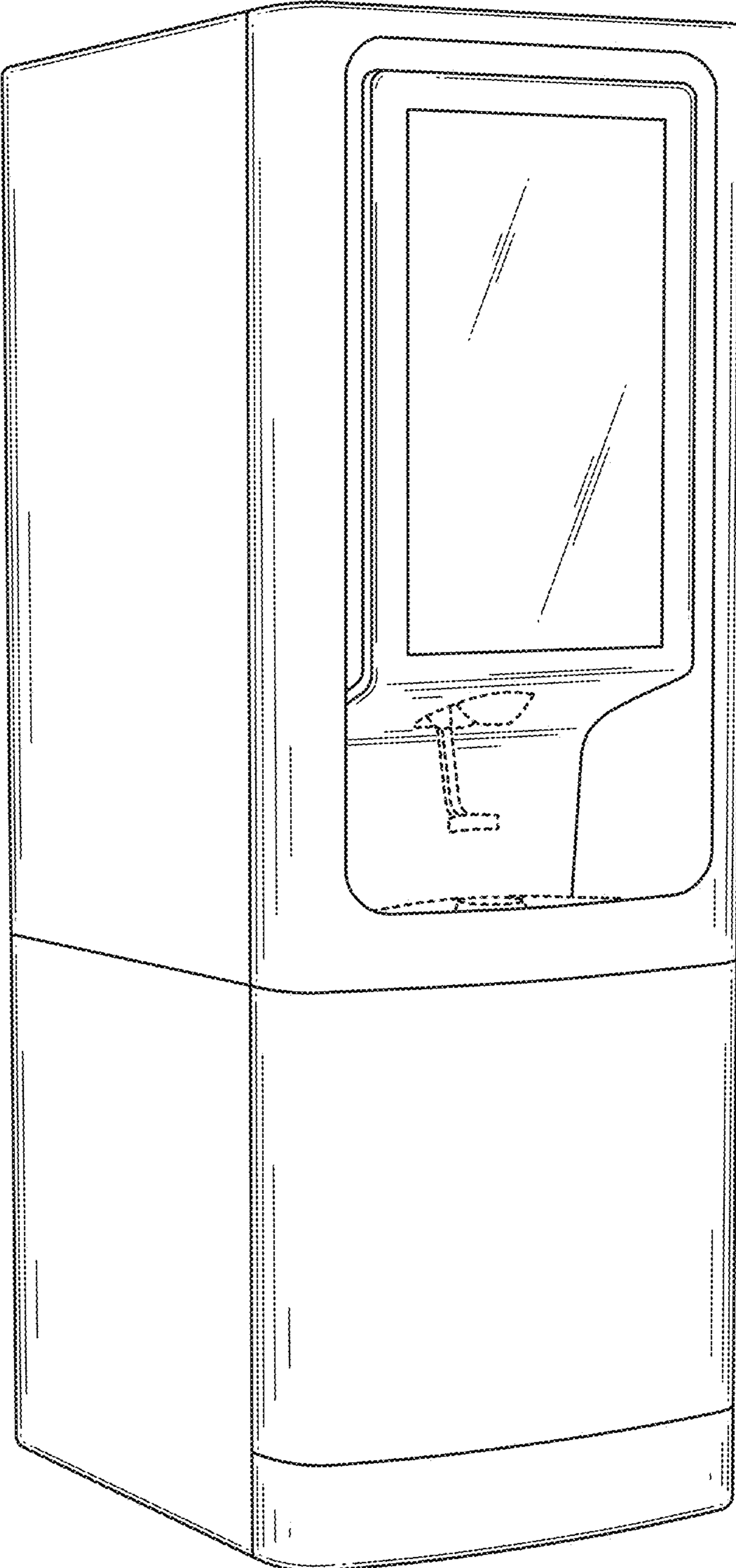


FIG. 1

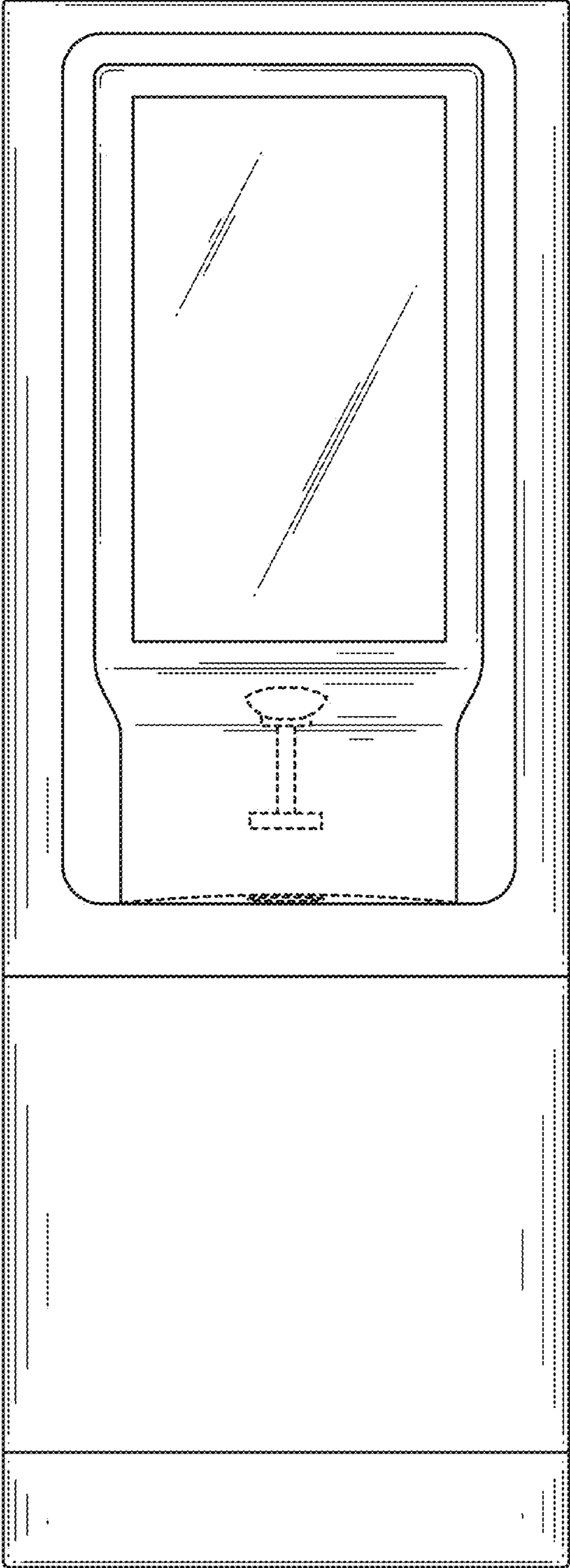


FIG. 2

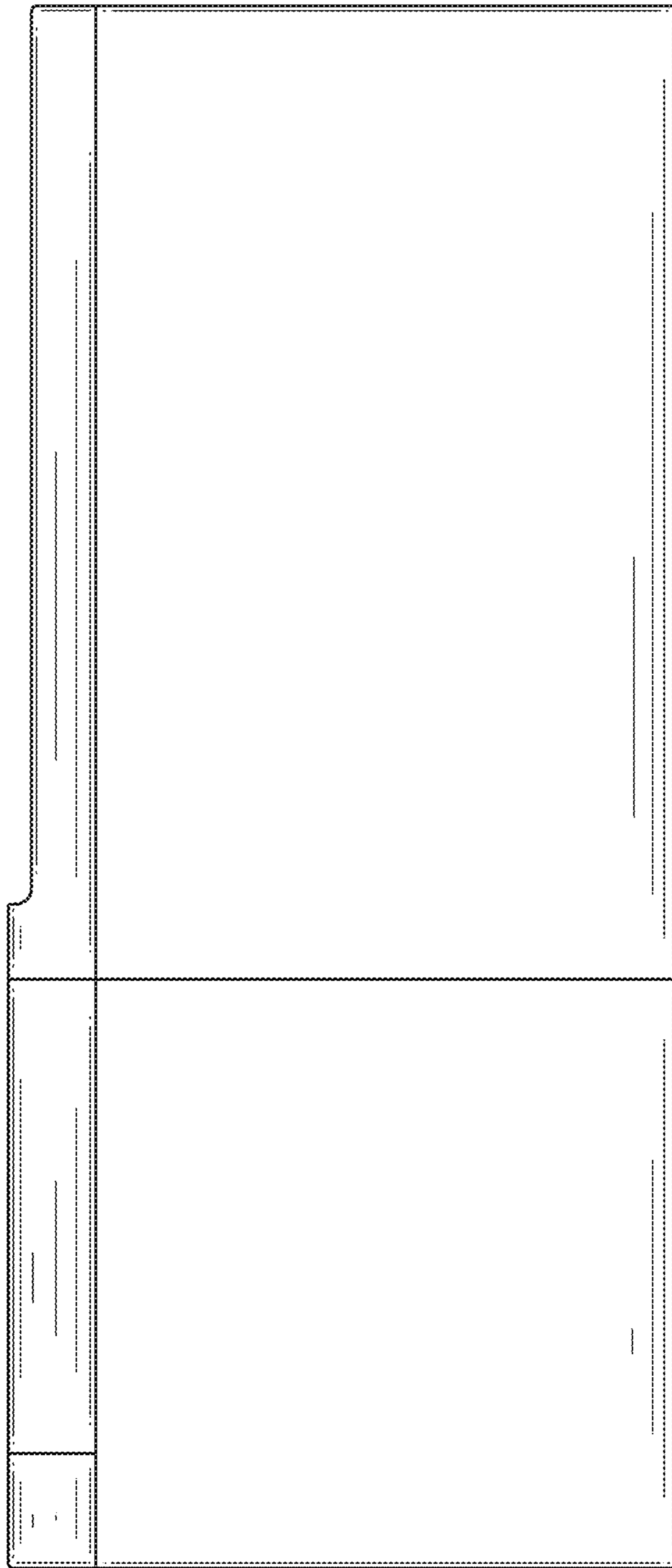


FIG. 3

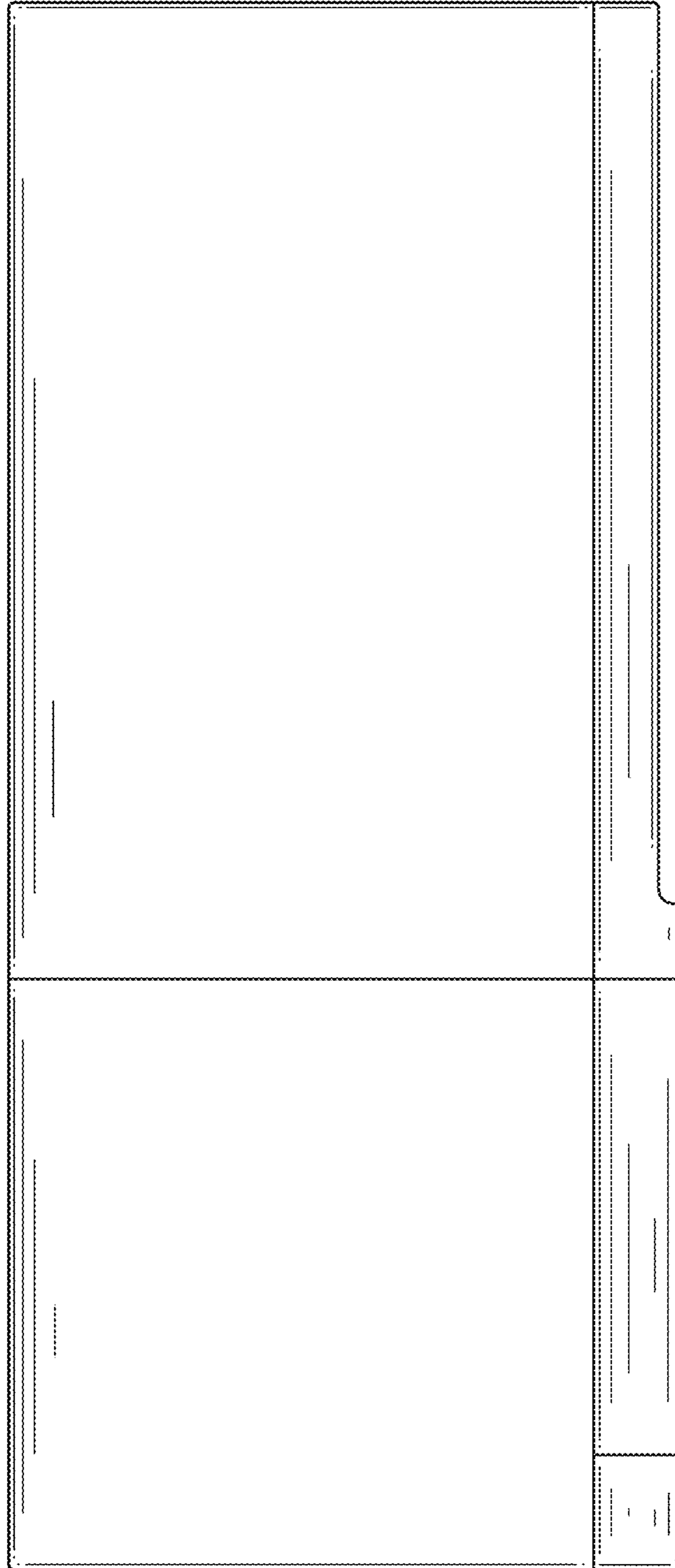


FIG. 4

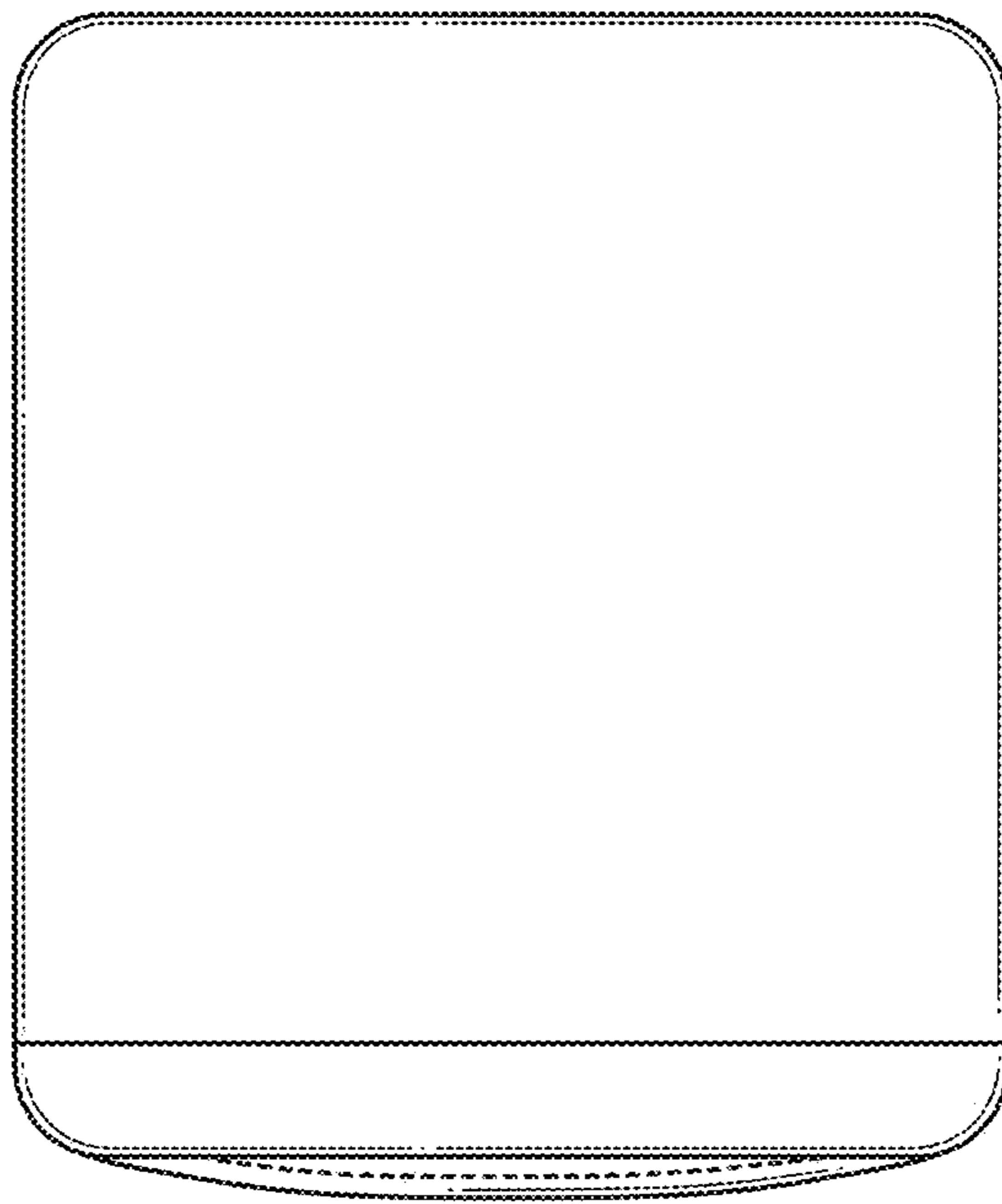


FIG. 5