



US00D710641S

(12) **United States Design Patent**  
**Petrucelli**

(10) **Patent No.:** **US D710,641 S**

(45) **Date of Patent:** **\*\* Aug. 12, 2014**

- (54) **BEAUTY SALON CHAIR**
- (71) Applicant: **P.S. Pibbs, Inc.**, Flushing, NY (US)
- (72) Inventor: **Giulio Petrucelli**, Flushing, NY (US)
- (73) Assignee: **P.S. Pibbs, Inc.**, Flushing, NY (US)
- (\*\*) Term: **14 Years**
- (21) Appl. No.: **29/481,835**
- (22) Filed: **Feb. 11, 2014**
- (51) **LOC (10) Cl.** ..... **06-01**
- (52) **U.S. Cl.**  
USPC ..... **D6/716**
- (58) **Field of Classification Search**  
CPC ..... A47C 7/402; A47C 7/50; A47C 9/00;  
A47C 3/18; A47C 3/20; A47C 9/007  
USPC ..... D6/334-336, 360, 364, 365, 366, 367,  
D6/374, 379, 380, 716, 716.1, 716.2,  
D6/716.3, 716.4; 297/353, 423.1, 451.4,  
297/452.2  
See application file for complete search history.

D266,291 S *	9/1982	Leffler et al.	.....	D6/366
4,429,918 A *	2/1984	Alsup et al.	.....	7/402
D276,766 S *	12/1984	Truette	.....	D6/366
D372,618 S *	8/1996	Sulzer	.....	D6/716
D586,592 S *	2/2009	Petrucelli	.....	D6/716
D661,134 S *	6/2012	Petrucelli	.....	D6/716
D664,793 S *	8/2012	Petrucelli	.....	D6/716

\* cited by examiner

*Primary Examiner* — Mimoso De

(74) *Attorney, Agent, or Firm* — Gerald E. Hespos; Michael J. Porco; Matthew T. Hespos

(57) **CLAIM**

The ornamental design for a beauty salon chair, as shown and described.

**DESCRIPTION**

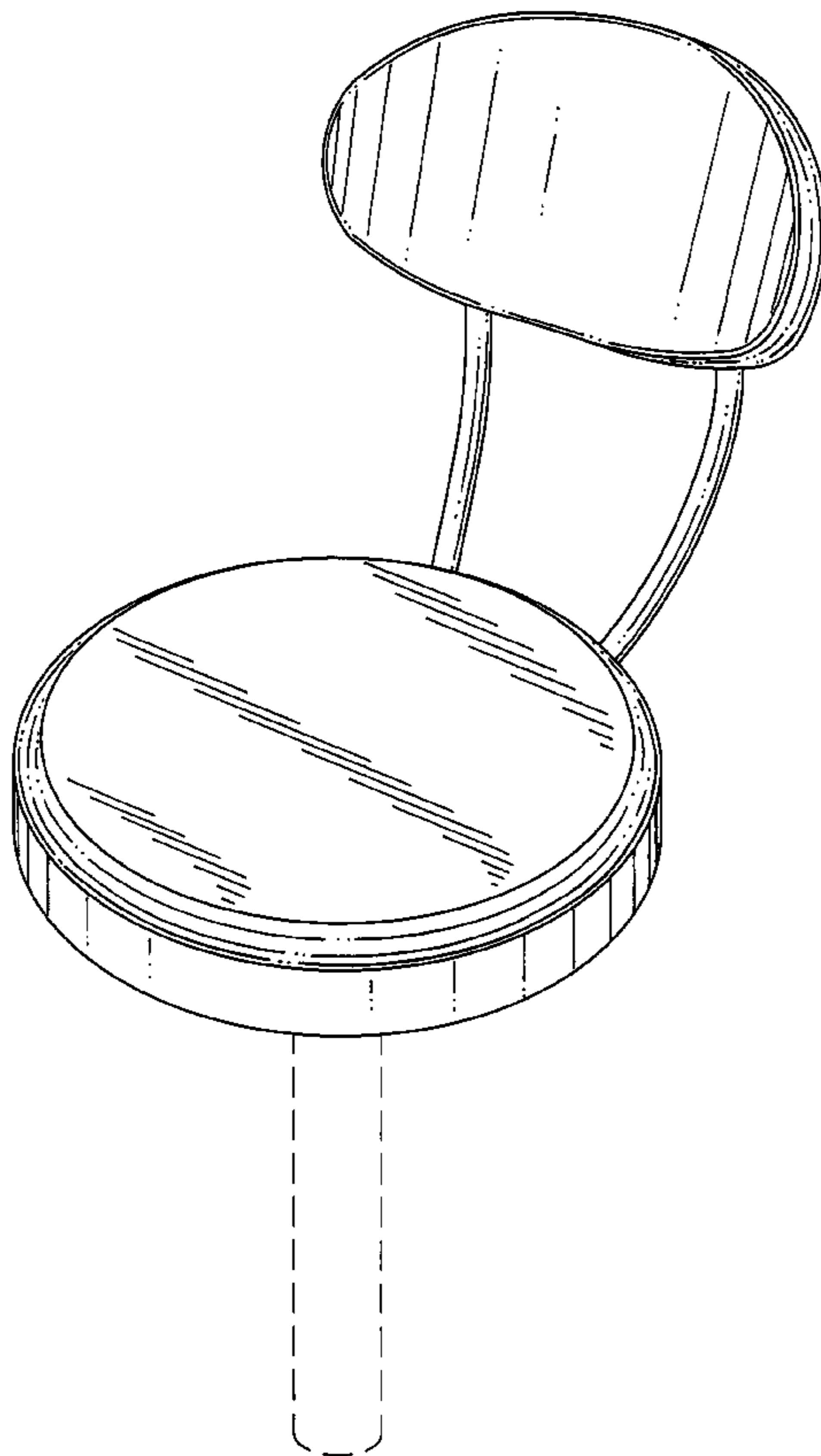
FIG. 1 is a perspective view of a beauty salon chair in accordance with my design;  
 FIG. 2 is a top plan view of the beauty salon chair of FIG. 1;  
 FIG. 3 is a front elevational view thereof;  
 FIG. 4 is a left side elevational view, with the right side elevational view being a mirror image thereof;  
 FIG. 5 is a rear elevational view thereof; and,  
 FIG. 6 is a bottom plan view thereof.  
 The broken lines showing the pedestal in FIG. 1 are for illustrative purposes only and form no part of the claimed design.

(56) **References Cited**

U.S. PATENT DOCUMENTS

D183,607 S *	9/1958	Glass	.....	D6/380
3,245,720 A *	4/1966	Wenger	.....	7/50

**1 Claim, 6 Drawing Sheets**



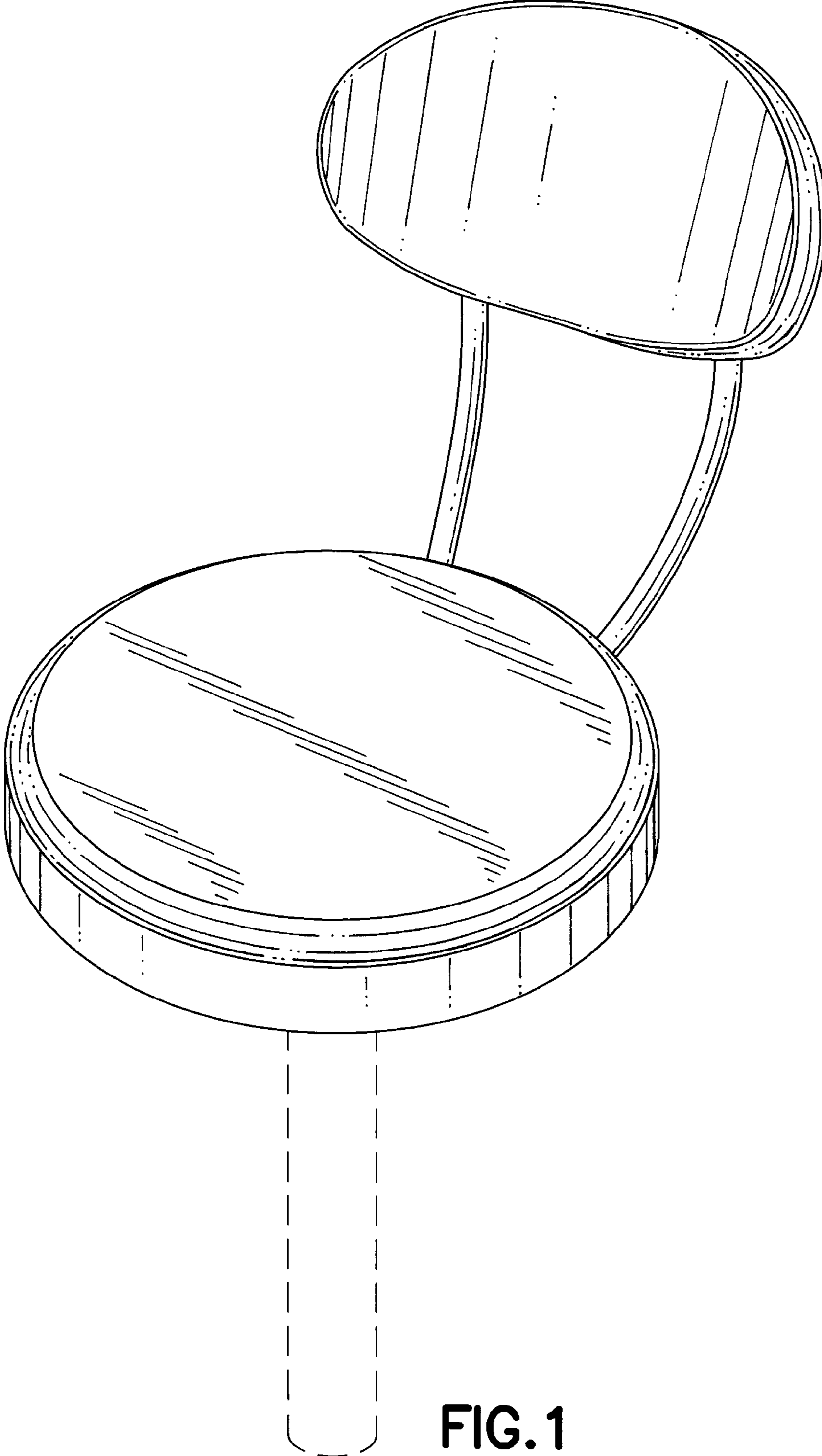


FIG. 1

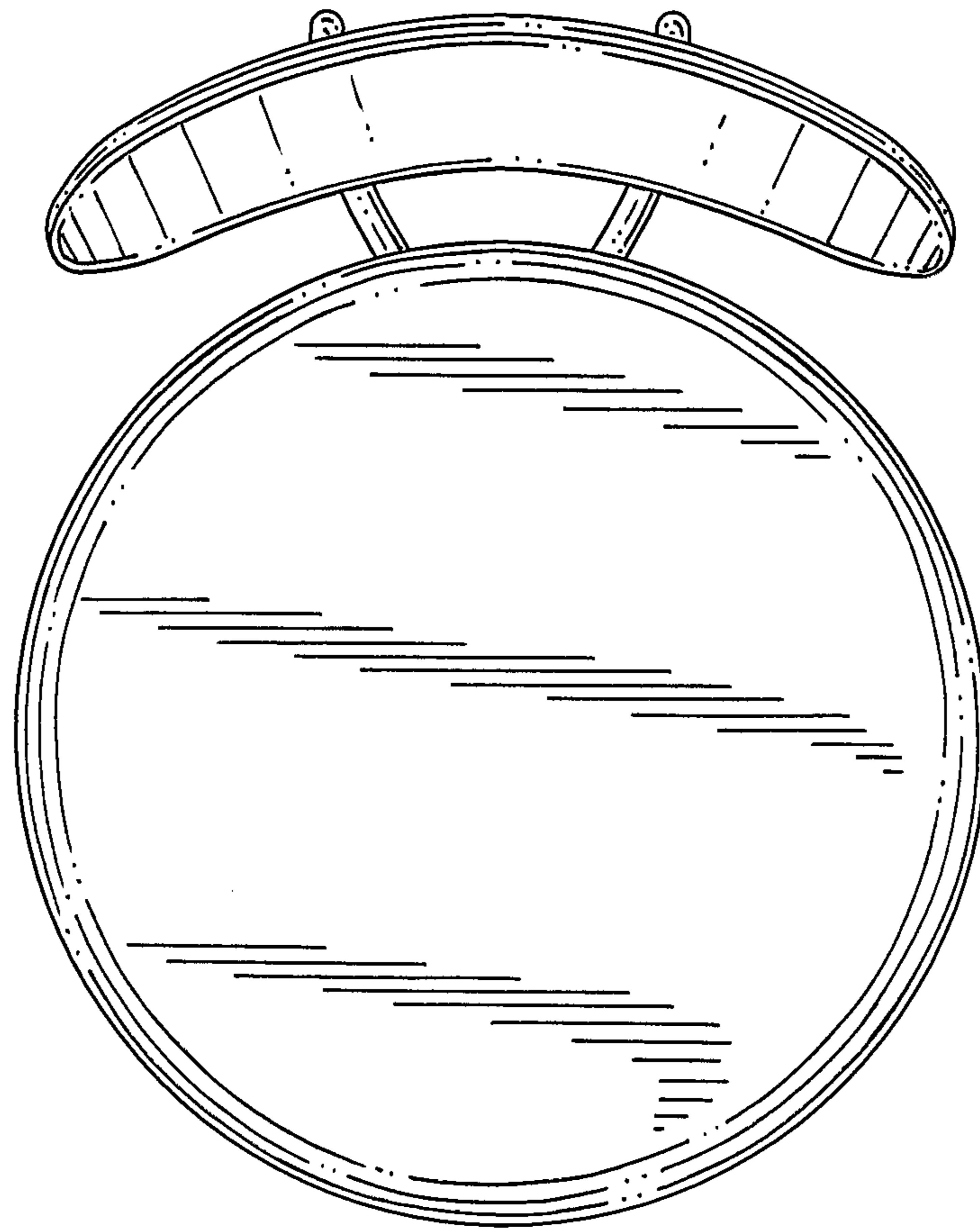


FIG.2

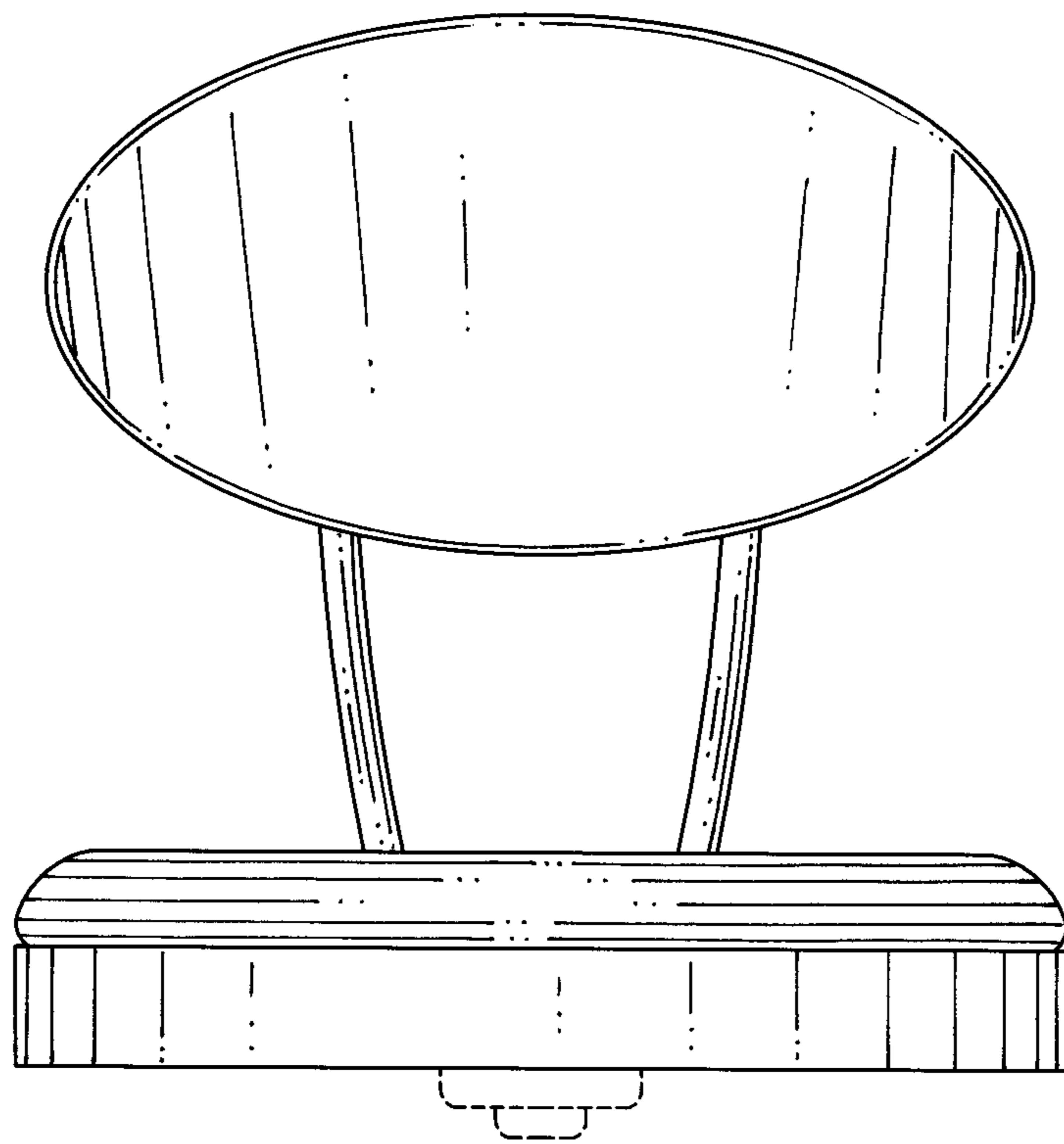


FIG.3

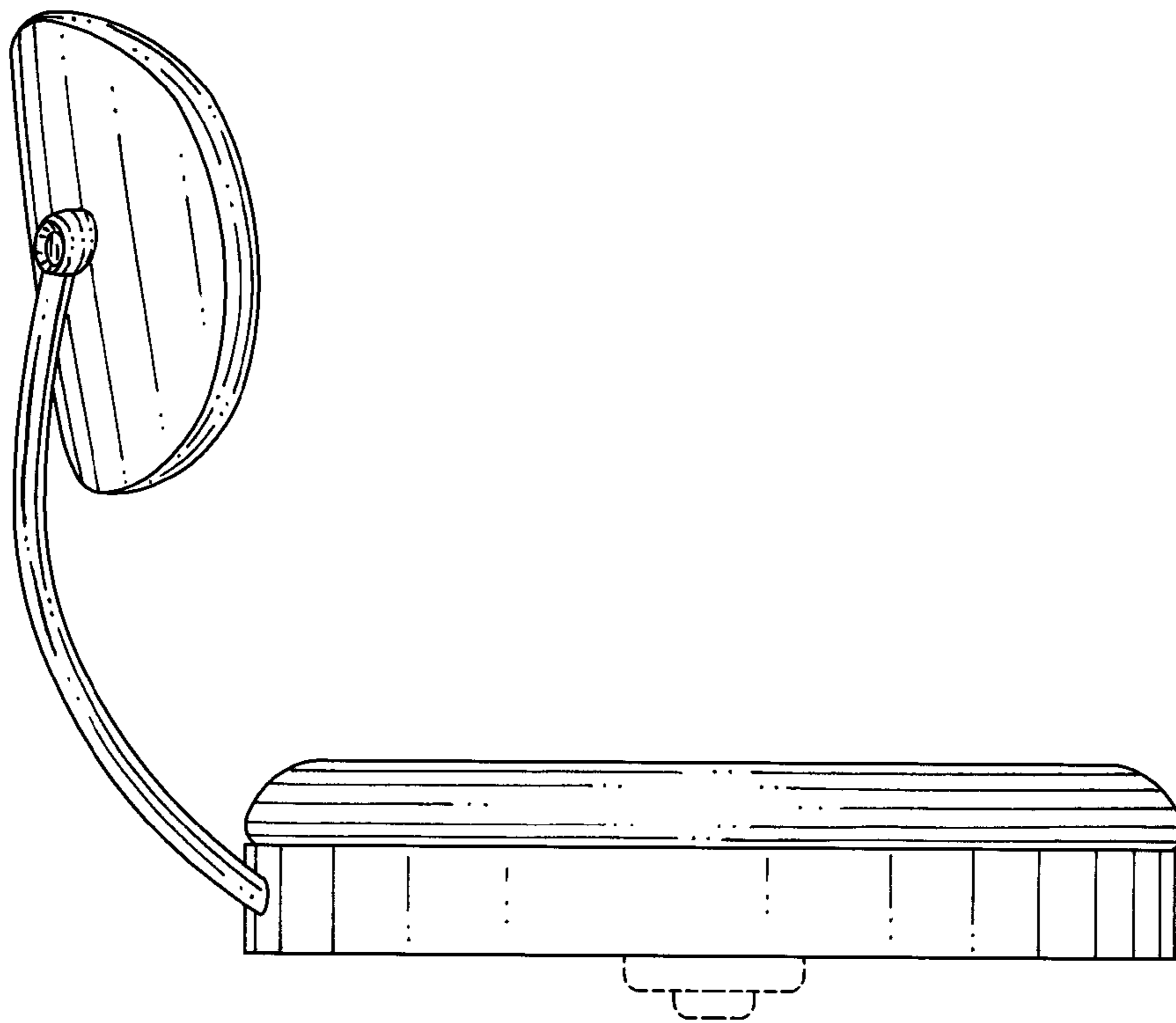


FIG.4

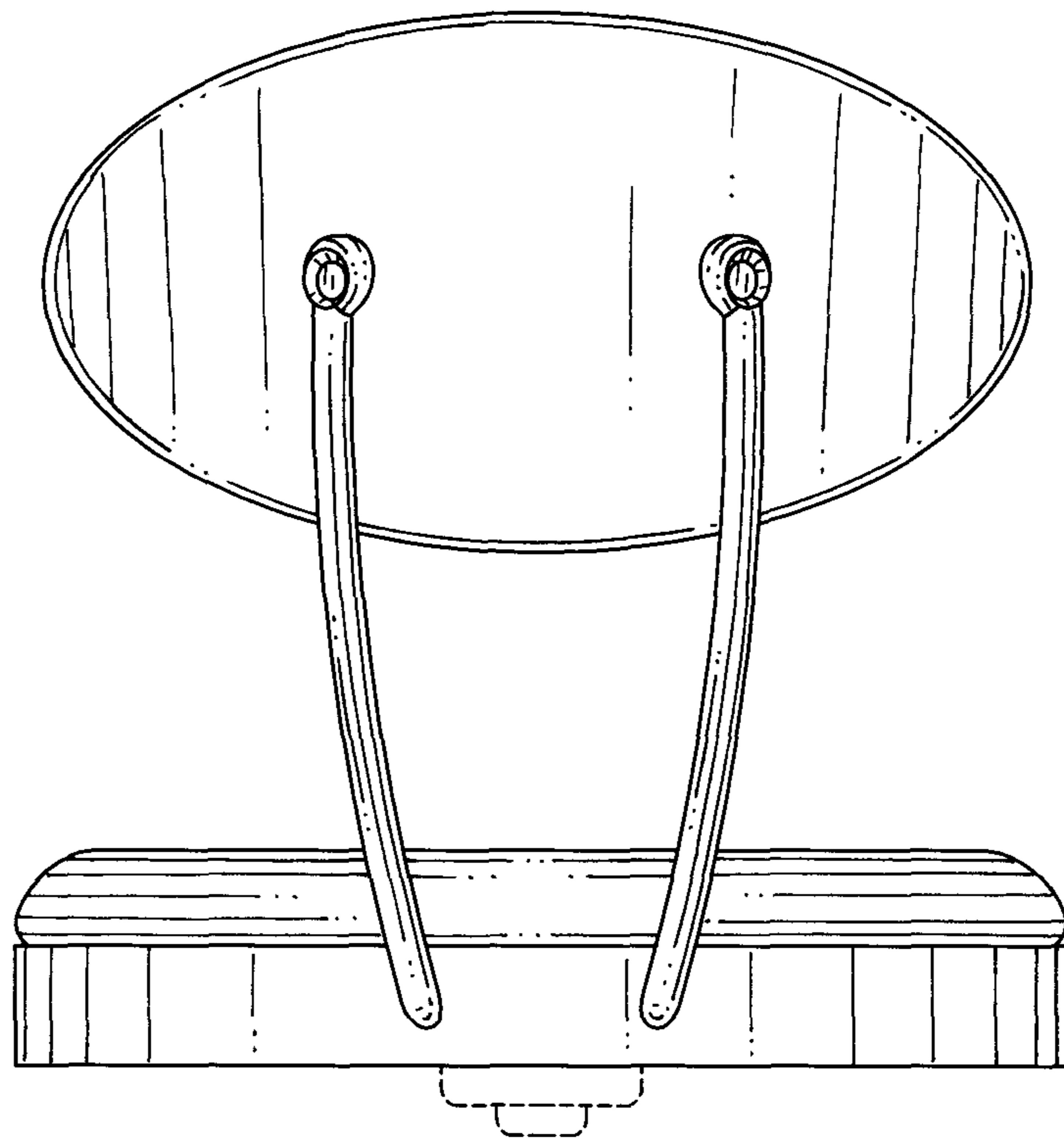


FIG.5

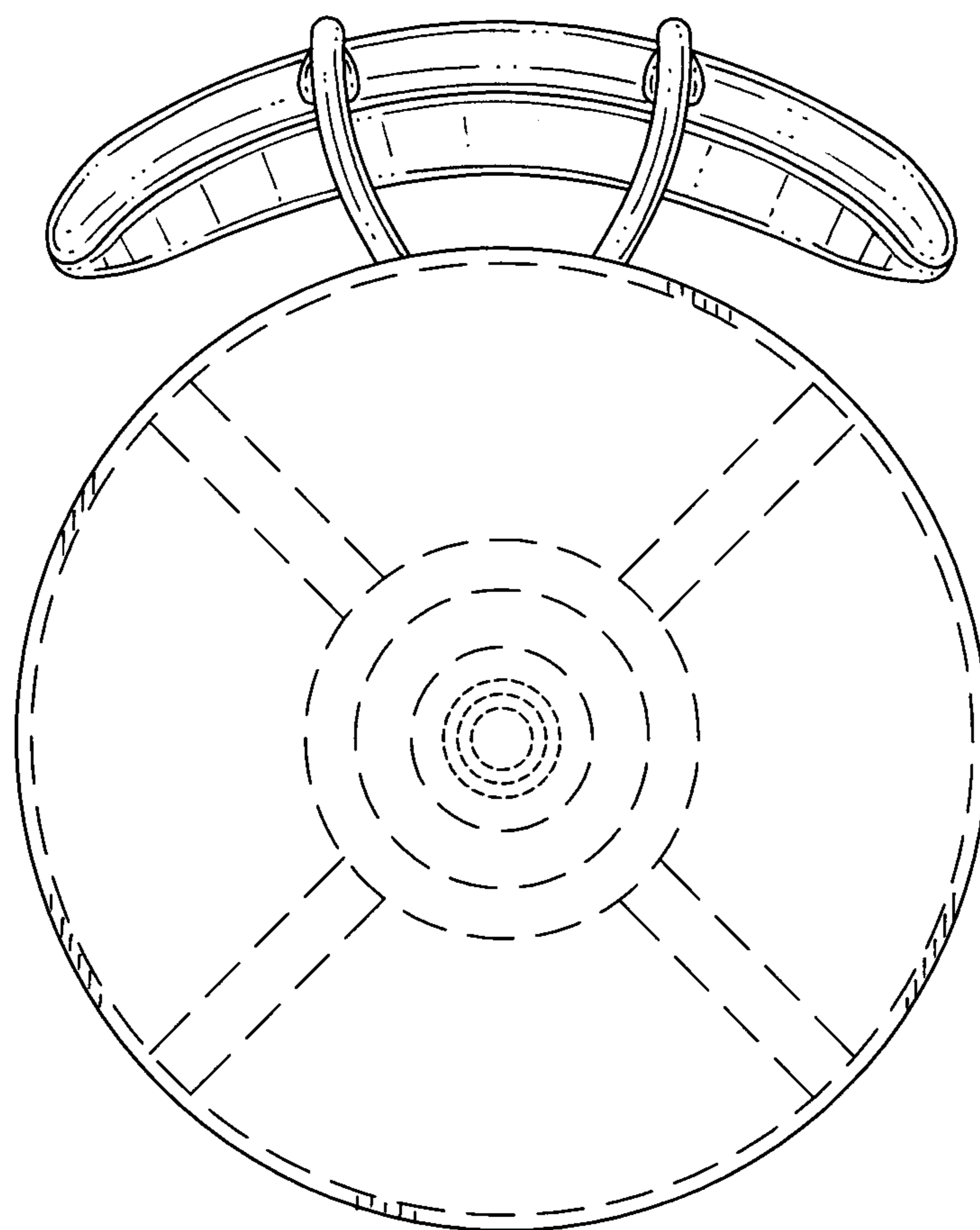


FIG.6