



US00D710640S

(12) **United States Design Patent**
Usumoto et al.

(10) **Patent No.:** **US D710,640 S**
(45) **Date of Patent:** **** Aug. 12, 2014**

(54) **CHAIR**

- (71) Applicant: **Itoki Corporation**, Osaka (JP)
- (72) Inventors: **Hiroto Usumoto**, Osaka (JP); **Shinji Inoue**, Osaka (JP)
- (73) Assignee: **Itoki Corporation**, Osaka-shi, Osaka (JP)
- (**) Term: **14 Years**
- (21) Appl. No.: **29/479,614**
- (22) Filed: **Jan. 17, 2014**

Related U.S. Application Data

- (62) Division of application No. 29/425,910, filed on Jun. 28, 2012, now Pat. No. Des. 701,068.

(30) **Foreign Application Priority Data**

Mar. 21, 2012 (JP) 2012-006307
 Mar. 21, 2012 (JP) 2012-006309

(51) **LOC (10) Cl.** **06-01**

(52) **U.S. Cl.**
 USPC **D6/716; D6/366**

(58) **Field of Classification Search**
 USPC D6/334-336, 364, 365, 366, 367, 374,
 D6/376, 379, 380, 716, 716.1, 716.2,
 D6/716.3, 716.4; 297/452.13, 452.21,
 297/452.29, 452.3, 452.32, 452.48

See application file for complete search history.

(56) **References Cited**

U.S. PATENT DOCUMENTS

D521,755 S *	5/2006	Kinoshita et al.	D6/366
D559,573 S *	1/2008	Igarashi	D6/366
D567,521 S	4/2008	Igarashi	
D567,522 S *	4/2008	Igarashi	D6/366
D597,329 S *	8/2009	Tanaka et al.	D6/366
D613,086 S	4/2010	Fujita	
D613,088 S *	4/2010	Fujita	D6/366
D654,709 S	2/2012	Fujita	
D656,329 S *	3/2012	Nakamura et al.	D6/366
D661,117 S *	6/2012	Tanaka et al.	D6/366
D662,330 S *	6/2012	Tanaka et al.	D6/366
D670,927 S *	11/2012	Hurford	D6/366
D671,330 S	11/2012	Izawa	
D671,331 S	11/2012	Izawa	
D671,332 S	11/2012	Izawa	
D671,759 S	12/2012	Hurford	
D701,068 S *	3/2014	Usumoto et al.	D6/716

* cited by examiner

Primary Examiner — Mimoso De

(74) *Attorney, Agent, or Firm* — Drinker Biddle & Reath LLP

(57) **CLAIM**

The ornamental design for a chair, as shown and described.

DESCRIPTION

FIG. 1 is a rear perspective view of a chair.
 FIG. 2 is a front perspective view thereof.
 FIG. 3 is a front view thereof.
 FIG. 4 is a rear view thereof.
 FIG. 5 is a left side view thereof.
 FIG. 6 is right side view thereof.
 FIG. 7 is a top plan view thereof; and,
 FIG. 8 is a bottom view thereof.
 The broken line showing of the chair is for the purpose of illustrating environmental structure and forms no part of the claimed design.

1 Claim, 8 Drawing Sheets

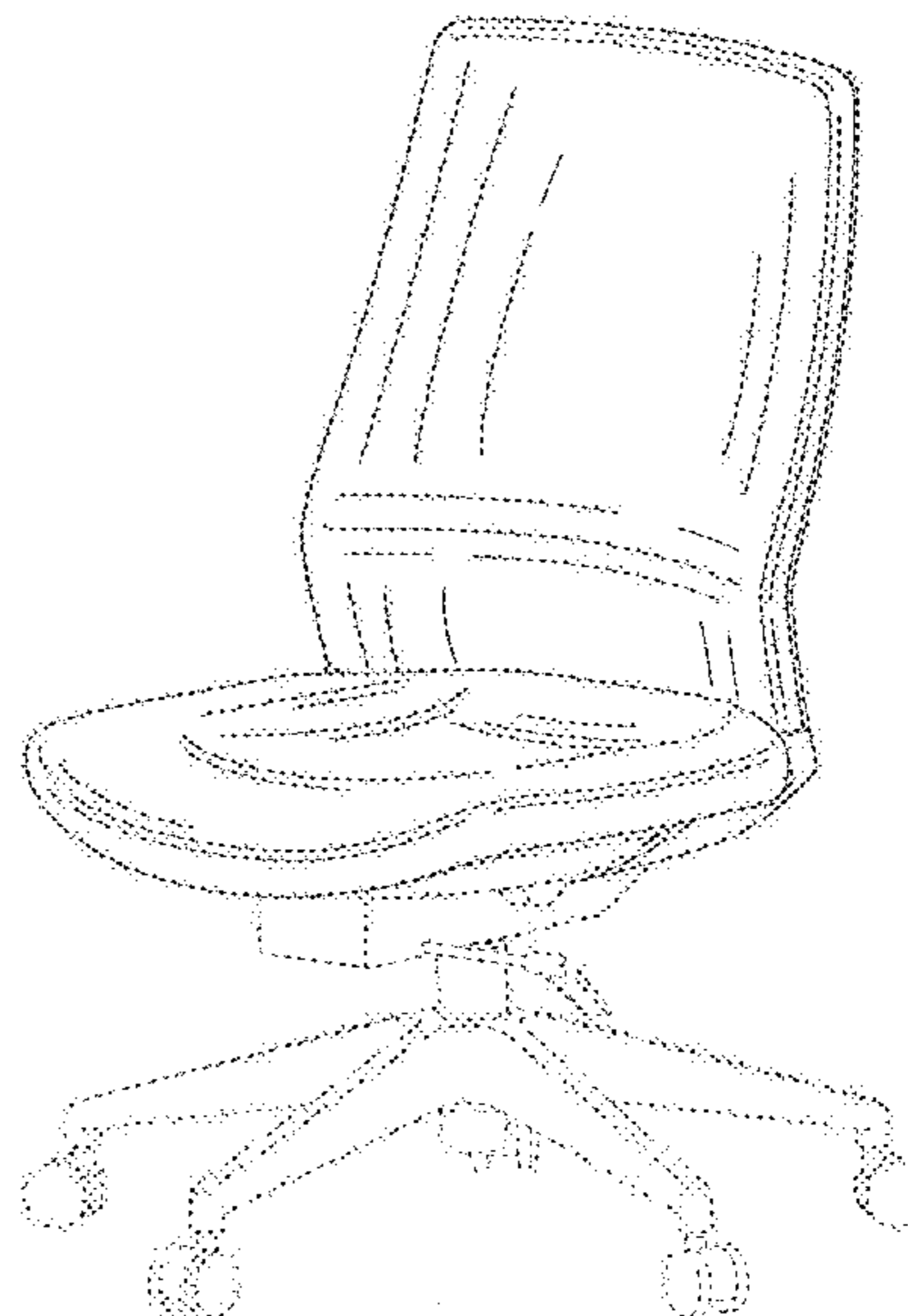
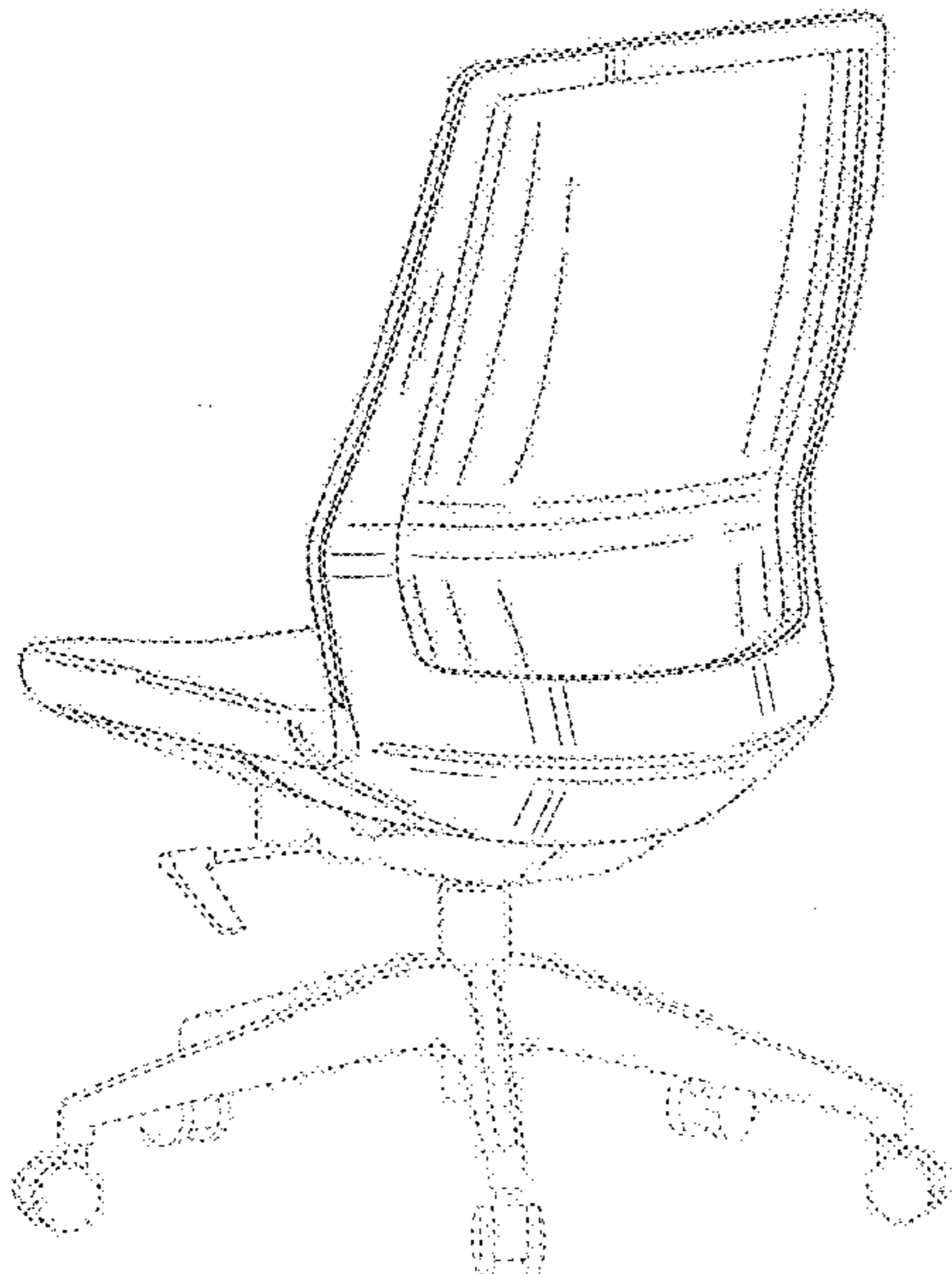


Fig. 1

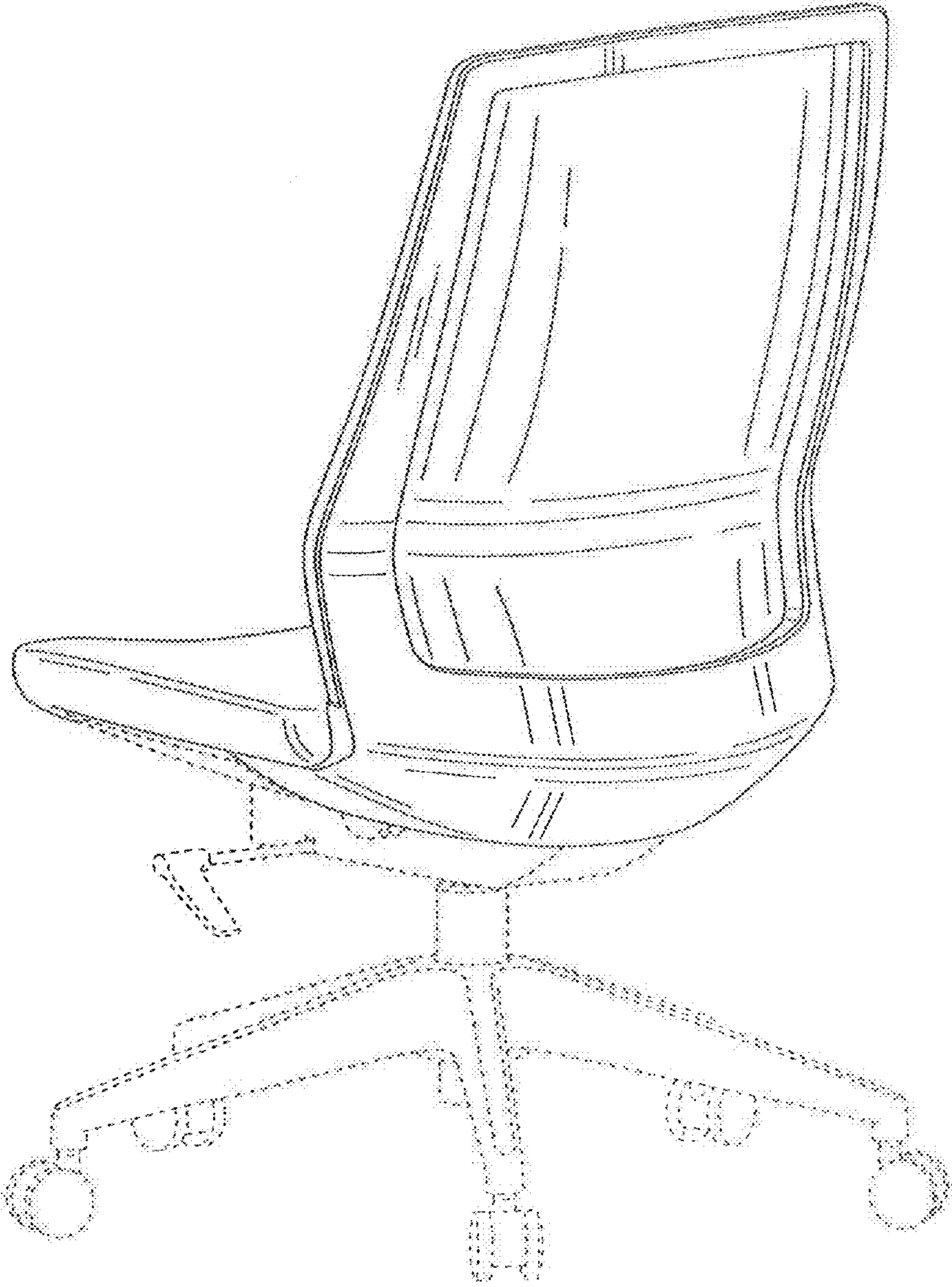


Fig. 2

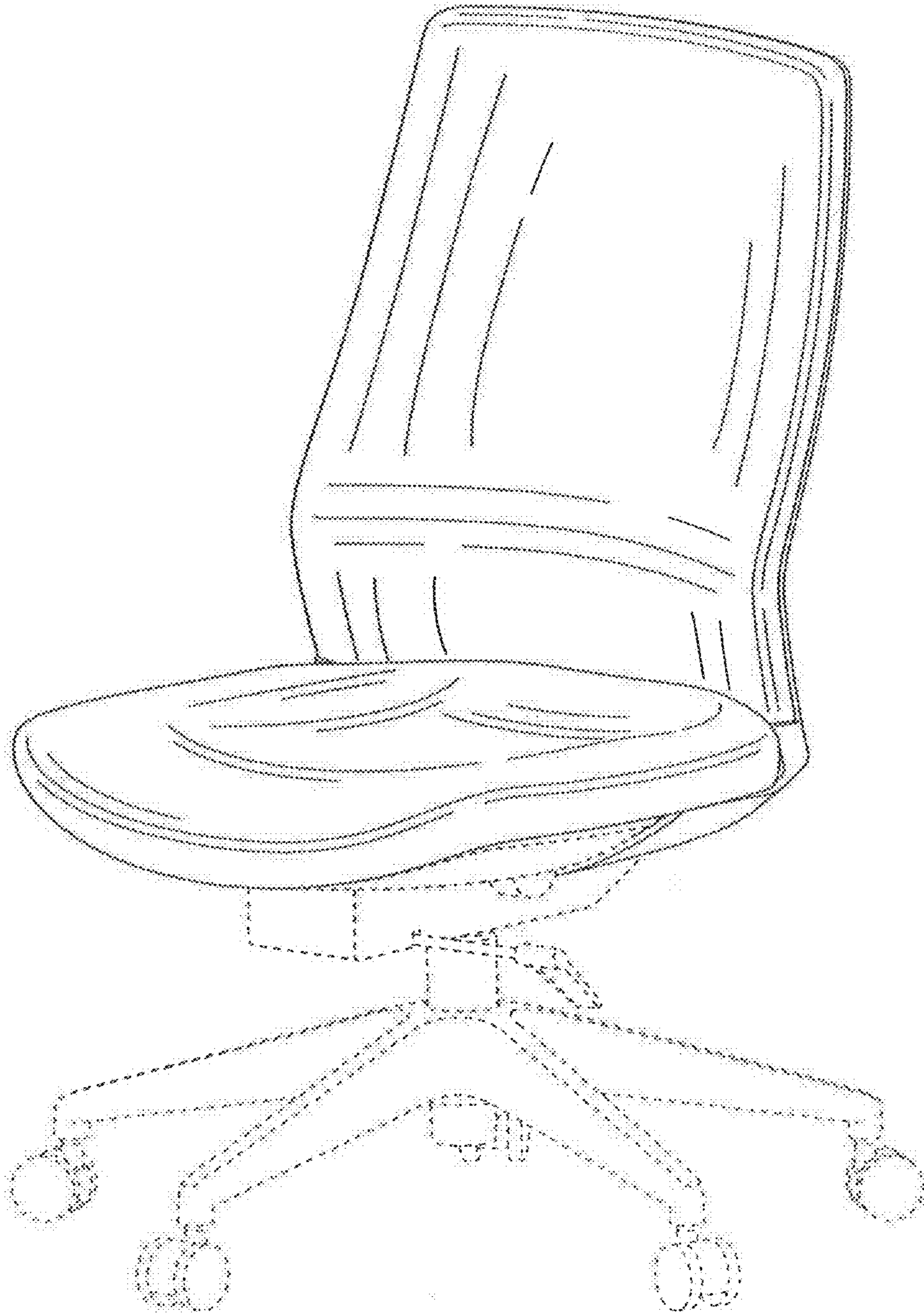


Fig. 3

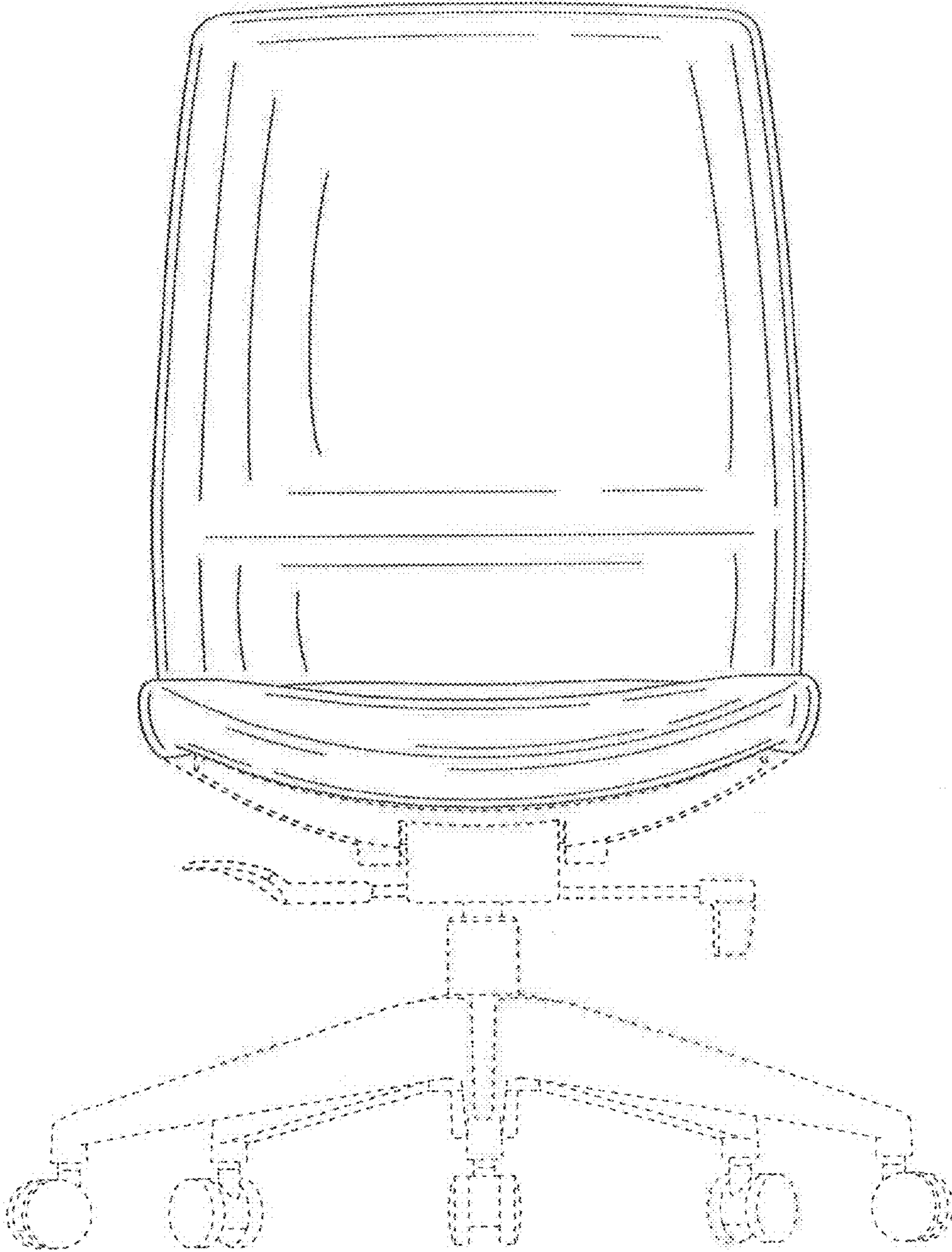


Fig. 4

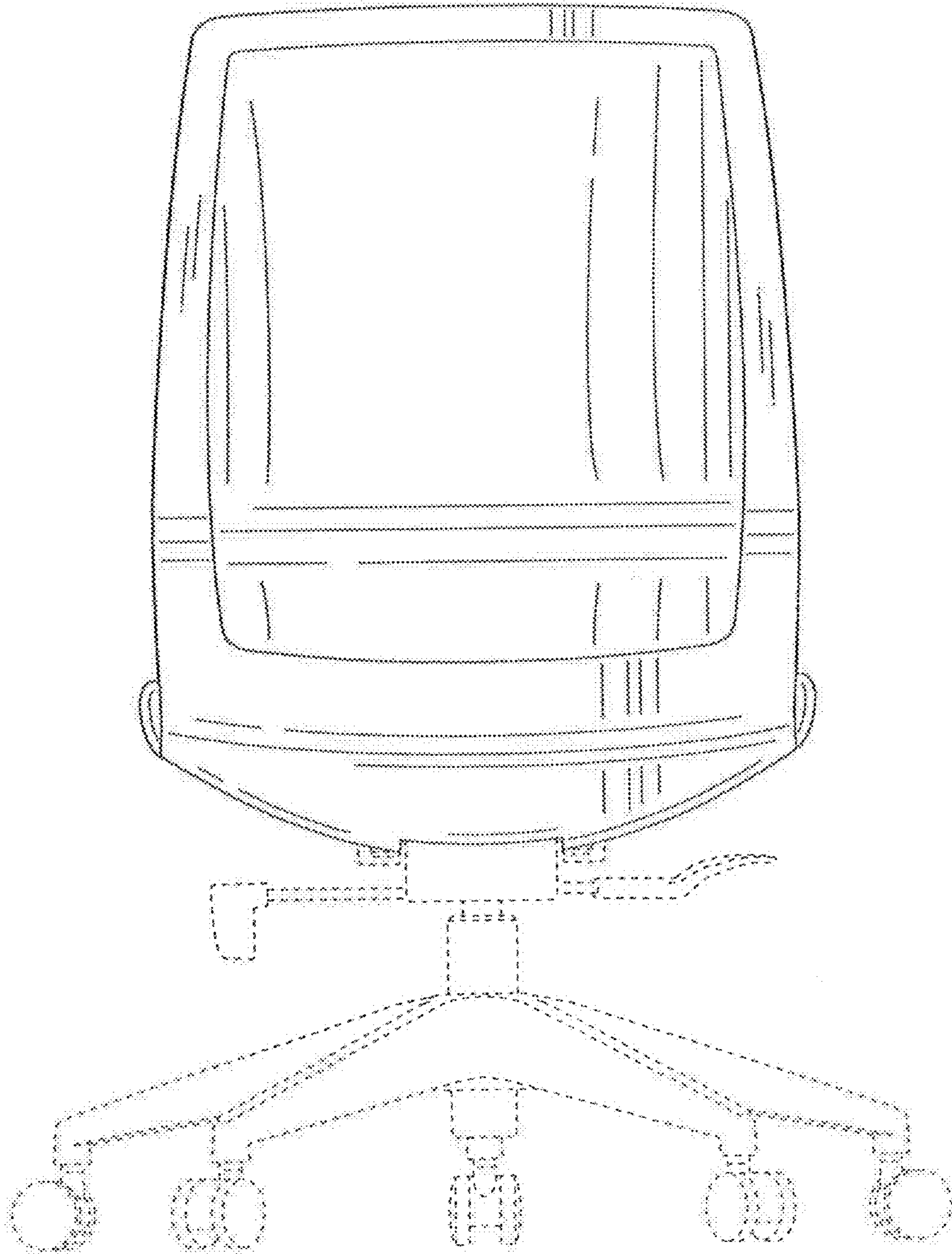


Fig. 5

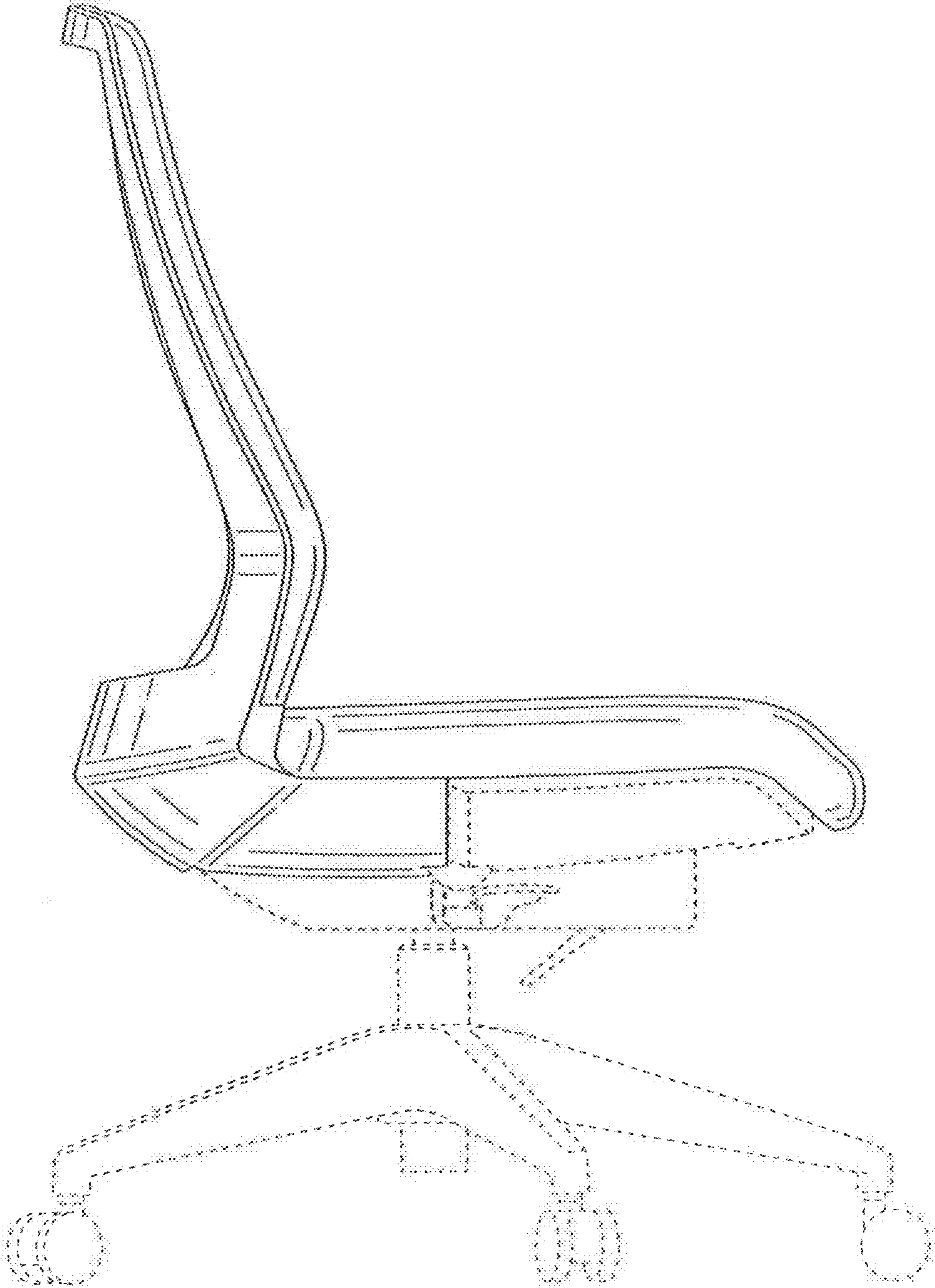


Fig. 6

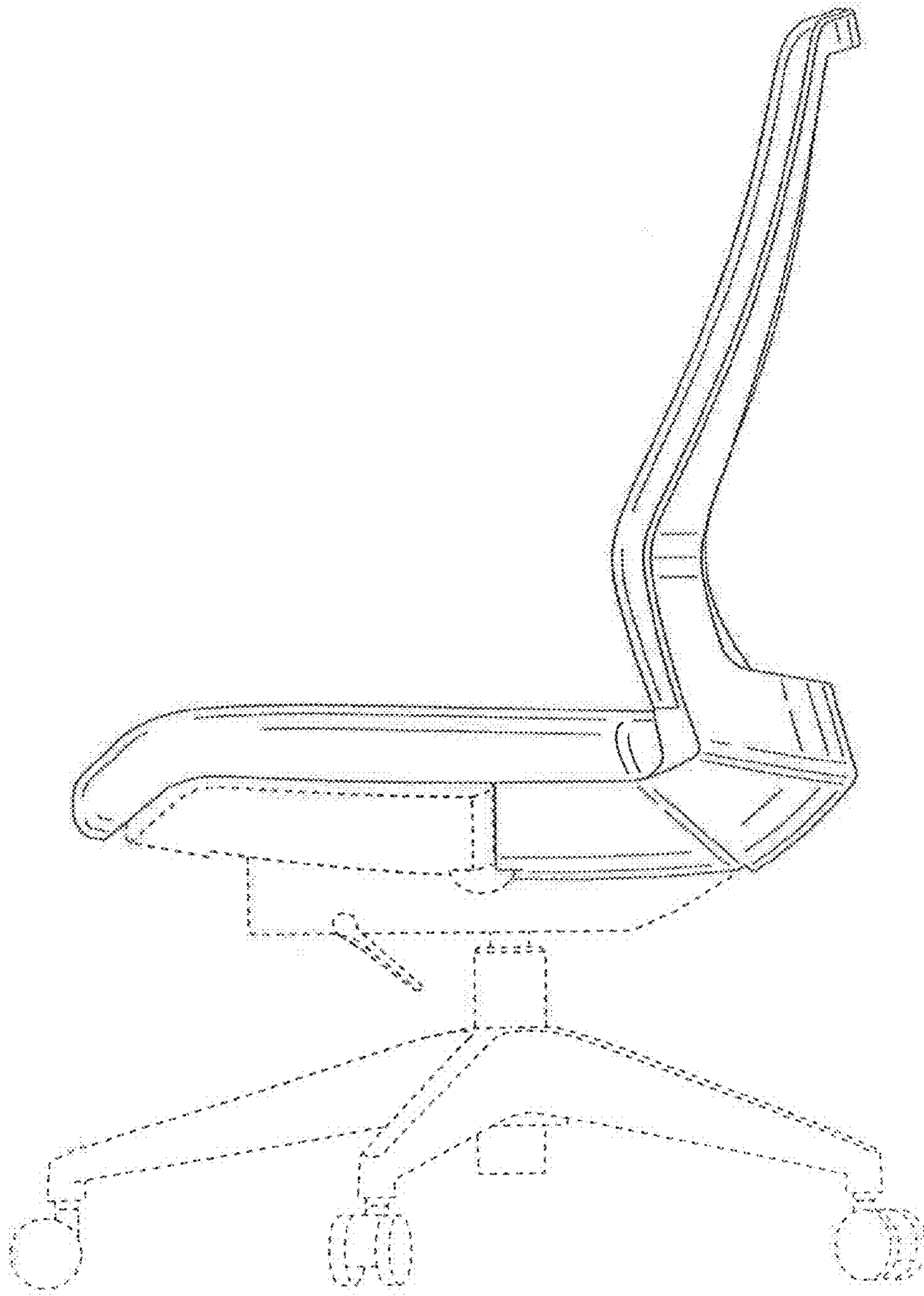


Fig. 7

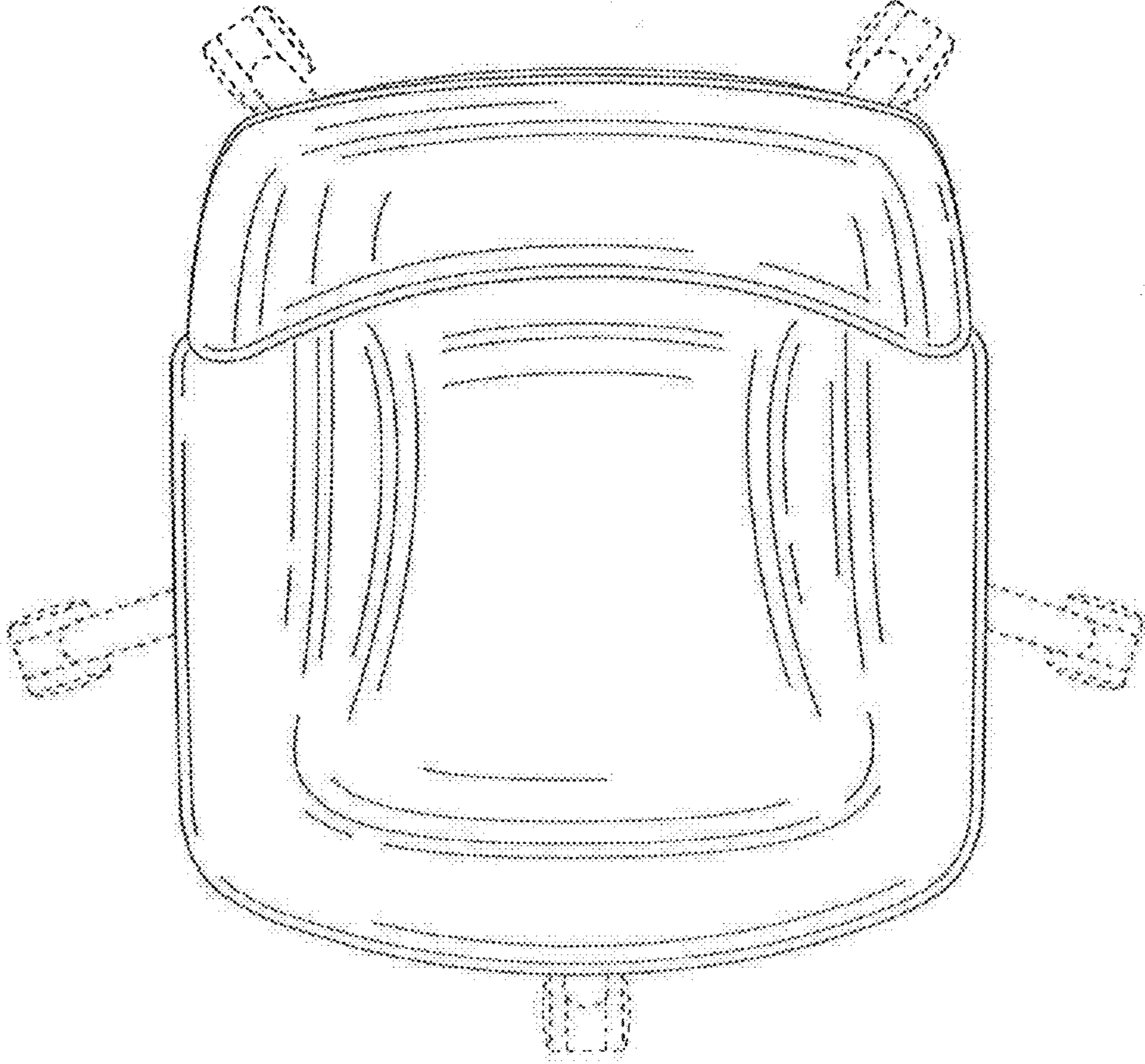


Fig. 8

